

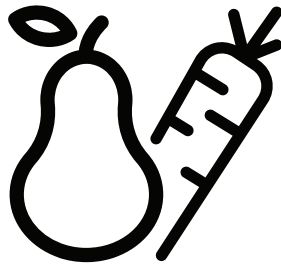


Refrigerator

User manual

Réfrigérateur

Manuel d'utilisation



RCNE560E40ZXPB - RCNE560E40DSN - RCNE560E60ZXRN -
RCNE560E60ZXPB - KG560E50ZXPCHN



EN / FR /

58 5031 0000/AK

1/6

Please read this manual before using the product!

Dear Valued Customer,

We wish you to get the best results from your product that has been manufactured meticulously at modern plants and tested with detailed quality control checks.

For this reason, we recommend that you read this user manual thoroughly before starting the product. If you hand over the product to someone else, please remember to give the user manual as well.






This manual will help you use your appliance in a fast and safe way.

- Please read this user manual carefully before installing and using the product.
- Always follow the applicable safety instructions.
- Keep the user manual in an easily accessible place for further use.
- Please read all the other documents provided with the product.

Please keep in mind that this manual may apply to several product models. This manual expressly indicates the differences between various models.

	Important information and useful hints.
	Risk of injury and property damage.
	Risk of electric shock.
	Packaging materials of this product has been manufactured from recyclable materials in accordance with the National Environment Regulations.

INFORMATION

	ENERGY 	
SUPPLIER'S NAME	MODEL IDENTIFIER → (*)	
		

The model information as stored in the product data base can be reached by entering following website and searching for your model identifier (*) found on energy label.

<https://eprel.ec.europa.eu/>

1 Important Instructions Regarding Safety and Environment **5**

1.1. General Safety	5
1.1.1 Hydrocarbon (HC) Warning	7
1.1.2 For Products with a Water Dispenser/Ice Machine	7
1.2. Intended Use	8
1.3. Children's Safety	8
1.4. Compliance with the WEEE Directive and Disposing the Waste Product:	8
1.5. Compliance with the RoHS Directive:	8
1.6. Packaging Information	8

2 Your Refrigerator **9**

3 Installation **10**

3.1. Right place for installation	10
3.2. Attaching the plastic wedges	10
3.3. Adjusting the stands	10
3.4. Power connection	10
3.5. Reversing the doors	11
3.6. Reversing the doors	12

4 Preparation **13**

4.1. What to do for energy saving	13
4.2. First Use	13

5 Using the product **14**

5.1. Temperature adjustment button	14
5.2. Rapid freezing	14
5.3. Vacation function	15
5.4. Thermostat setting button	16
5.5. Thermostat setting button	16
5.6. Defrost	16
5.7. Indicator panel	17
5.8. Indicator panel	18
5.9. Indicator panel	20
5.10. Indicator panel	23
5.11. Ice bucket	25
5.12. Eggholder	25
5.13. Fan	25

5.14. Vegetable bin	25
5.15. Zero degree compartment	25
5.16. Using the second crisper of the product;	26
5.17. Moving door rack	27
5.18. Sliding storage box	27
5.19. Moisture controlled vegetable bin	27
5.21. Automatic ice machine	28
5.20. Deodoriser Module	28
5.22. Icematic and ice storage container	29
5.23. Using the water dispenser	29
5.24. Filling the water dispenser's tank	30
5.25. Cleaning the water tank	30
5.26. Drip tray	31
5.27. HerbBox/HerbFresh	31
5.28. Freezing fresh food	32
5.29. Recommendations for storing frozen foods	32
5.30. Deep freezer details	33
5.31. Placing the food	33
5.32. Door open alert	33
5.33. Changing the opening direction of the door	33
5.34. Interior light	33
5.35. Blue light/HarvestFresh	33

6 Care and Cleaning **34**

6.1. Avoiding Bad Odours	34
6.2. Protection of plastic surfaces	34
6.3. Cleaning the Inner Surface	34
6.4. Stainless Steel Outer Surfaces	34
6.5. Cleaning Products with Glass Doors	35





6 Care and Cleaning **35**

7 Troubleshooting **36**

1 Important Instructions Regarding Safety and Environment

This chapter contains safety information that will help you avoid the risk personal injury or property damage. Failure to follow these instructions shall render any product warranty void.

Intended use

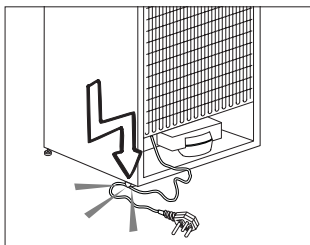
	WARNING: Keep ventilation openings, in the appliance enclosure or in the built-in-structure, clear of obstruction.
	WARNING: Do not use mechanical devices or other means to accelerate the defrosting process, other than those recommended by the manufacturer.
	WARNING: Do not damage the refrigerant circuit.
	WARNING: Do not use electrical appliances inside the food storage compartments of the appliance, unless they are of the type recommended by the manufacturer.

This appliance is intended to be used in household and similar applications such as

- staff kitchen areas in shops, offices and other working environments;
- farm houses and by clients in hotels, motels and other residential type environments;
- bed and breakfast type environments;
- catering and similar non-retail applications.

1.1. General Safety

- Persons with physical, sensory or mental disabilities; persons who lack experience and information and children should not approach, enter or play with the product.
- Failure to follow the instructions and uncontrolled use of the product lead to dangerous results!
- Unplug the product if you encounter a failure during use.
- If the product malfunctions, it must not be operated until repaired by the authorised service provider. Risk of electric shock!
- Plug the product into a grounded socket protected by a fuse that corresponds to the value on its nameplate. Have a qualified electrician ground the product. Our company cannot be held responsible for damages resulting from the failure to use the product with a grounded socket pursuant to local regulations.
- Unplug the product when not in use.
- Never wash the product by spreading or pouring water onto it! Risk of electric shock!
- Never touch the plug with wet hands!
- Never unplug the product by pulling the cable. Always pull the plug by holding the socket.



Safety and environment instructions

- Do not plug the refrigerator if the wall socket is loose.
- Never connect your refrigerator to energy saving devices. Such systems are harmful to your product.
- Unplug the product during installation, care, cleaning and repairing procedures.
- Always have the **Authorised Service Provider** install the product and establish its electrical connections. The manufacturer cannot be held responsible for damages caused by procedures performed by unauthorised persons.
- Do not eat cone ice cream or ice cubes immediately after you take them out of the freezer compartment! This may cause frostbite in your mouth!
- Do not touch frozen food with wet hands! They may stick to your hand!
- Do not put bottled or canned liquid beverages in the freezer compartment. They may burst!
- Never use steam or steam cleaners to clean or defrost the refrigerator. Steam gets into contact with the live parts in your refrigerator, causing short circuit or electric shock!
- Do not use mechanical devices or other means to accelerate the defrosting process other than those recommended by the manufacturer.
- Never use the parts in your refrigerator such as the door and drawer as a means of support or step. This may cause the product to tip over or damage the parts of it.
- Do not damage the parts where the refrigerant is circulating with drilling or cutting tools. The refrigerant that might blow out when the gas channels of the evaporator, pipe extensions or surface coatings are punctured causes skin irritations and eye injuries.
- Do not cover or block the ventilation holes in your refrigerator with any object.
- Place the beverage with higher proofs tightly closed and vertically.
- Do not use gaseous sprays near the product since there is the risk of fire or explosion!
- Flammable items or products that contain flammable gases (e.g. spray) as well as explosive materials should never be kept in the appliance.
- Do not place vessels filled with liquid onto the product. Splashing water on an electrical part may cause electric chock or the risk of fire.
- Do not store items that need precise temperature adjustment (such as vaccines, heat-sensitive medication, science materials etc.) in the refrigerator.
- If you are not going to use the product for a long time, unplug it and remove the food in it.
- If there is a blue light on the refrigerator, do not look at this light with optical tools.
- Exposing the product to rain, snow, sun or wind is dangerous in terms of electrical safety.
- In products with mechanical control (thermostat), wait for 5 minutes to plug in the product again after unplugging.
- Do not overload the refrigerator. Objects in the refrigerator may fall down when the door is opened, causing injury or damage. Similar

Safety and environment instructions




problems may arise if any object is placed onto the product.

- If the product has a door handle, do not pull the handle when re-locating the product. The handle might be loose.
- Be careful not to jam your hand or any other body part in the moving parts of the refrigerator.
- Do not put your hand or any other foreign materials into the ice machine while it is operating.

1.1.1 Hydrocarbon (HC) Warning

- If your product's cooling system contains R600a:

This gas is flammable. Therefore, pay attention not to damage the cooling system or the piping during use and transportation. If damaged, keep the product away from potential fire sources that may cause it to catch fire and ventilate the room where the product is placed.

	If the product is damaged and if you see gas leak, please keep away from the gas. It may cause frostbite when it gets into contact with the skin. (including R134)
	Ignore this warning if the cooling system of your product contains R134a.
	Type of gas used in the product is stated on the type plate which is on the left wall inside the refrigerator.



WARNING:

Never throw the product into fire for disposal.

1.1.2 For Products with a Water Dispenser/Ice Machine

- Pressure for cold water inlet shall be maximum 90 psi (620 kPa). If your water pressure exceeds 80 psi (550 kPa), use a pressure limiting valve in your mains system. If you do not know how to check your water pressure, ask for the help of a professional plumber.
- If there is a risk of water impact in your installation, always use a water impact protection equipment in that installation. Please consult professional plumbers if you are not sure if there is water impact in your installation.
- Do not make installation on the hot water inlet.
- Use drinking water only.
- Take the necessary measures against the freezing risk of the hoses. The water temperature operating range must be 0.6°C (33°F) minimum and 38°C (100°F) maximum.



WARNING:

Never connect the product to a cold water mains with a pressure of 550 kPa (80 psi) or above.

Safety and environment instructions

1.2. Intended Use

- This product has been designed for domestic use. It is not suitable for commercial use and it must not be used out of its intended use.
- It must be used only for storing food.
- The manufacturer will not take any responsibility for damages resulting from improper use or transport.
- Original spare parts will be available for 10 years after the purchase date of the product.

1.3. Children's Safety

- If there is a lock on the door of the product, the key should be kept out of the reach of children.
- Do not let children play with the product.

DANGER:

Before disposing your old refrigerator or freezer:

- Children may get locked inside.
- Remove the doors.
- Leave the shelves to prevent children from getting inside the product easily.



1.4. Compliance with the WEEE Directive and Disposing the Waste Product:



This product conforms to the EU WEE Directive (2012/19 EU). This product bears a classification symbol for waste electrical and electronic equipment (WEEE). This product has been manufactured from high quality parts and materials which can be reused and are suitable for recycling. Therefore, do not dispose the product with normal domestic waste or other waste at the end of its service life. Take it to a collection centre for recycling electrical and electronic equipment. Please consult local authorities to learn about the locations of such collection centres.

1.5. Compliance with the RoHS Directive:

The unit you have purchased conforms to the EU RoHS Directive (2011/65/EU). It does not contain harmful or prohibited materials specified in the Directive.

1.6. Packaging Information

- Packaging materials of the product have been manufactured from recyclable materials in accordance with our National Environment Regulations. Do not dispose the packaging materials with normal domestic waste or other types of waste. Take these materials to a recycling point designated by local authorities.

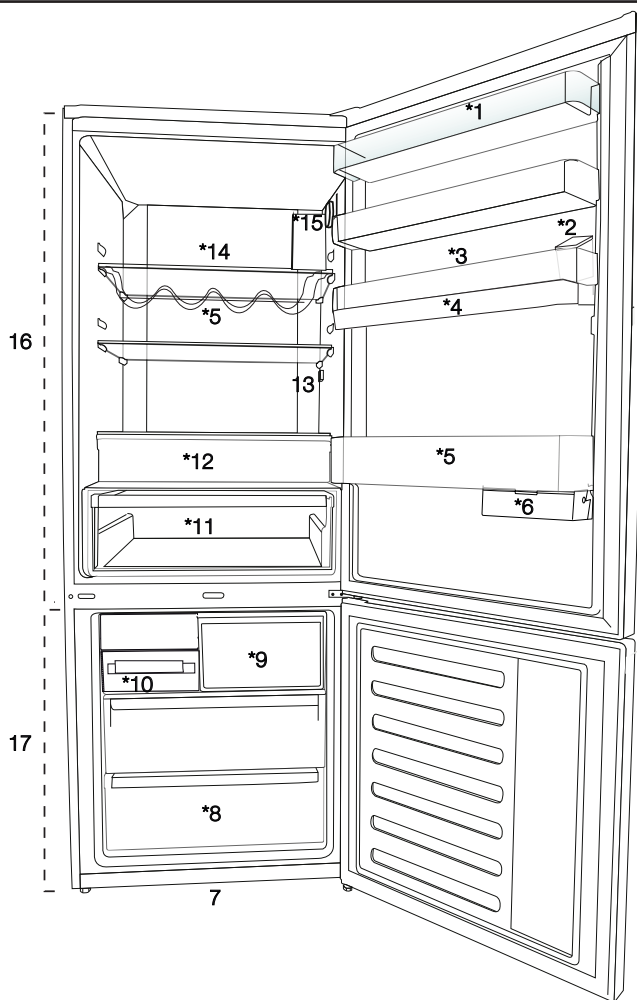
DANGER:

Risk of Fire or Explosion:

- This product uses flammable refrigerant.
- Do not use mechanical devices to defrost the refrigerator.
- Do not use chemicals for cleaning.
- Do not pierce the refrigerant pipe.
- If the refrigerant pipe is pierced, it must be repaired only by licensed service personnel.
- Please consult the repair/user manual before cleaning the product. All safety instructions must be followed.
- Dispose the product according to federal or local regulations.



2 Your Refrigerator



1. Cooler compartment door shelf
2. Water dispenser filling tank
3. Egg section
4. Water dispenser reservoir
5. Bottle shelf
6. Sliding storage box
7. Adjustable legs
8. Deep freezer compartment
9. Quick freeze compartment
10. Ice cube tray & Ice bank
11. Vegetable bin
12. Zero degree compartment
13. Interior light
14. Cooler compartment glass shelf
15. Temperature adjustment button
16. Cooler compartment
17. Freezer compartment




May not be available in all models



***optional:** Pictures given in this manual are given as example figures and they may not be exactly the same as your product. If your product does not comprise the relevant parts, the information pertains to other models.

3.1. Right place for installation

Contact the Authorized Service for the product's installation. To ready the product for installation, see the information in the user guide and make sure the electric and water utilities are as required. If not, call an electrician and plumber to arrange the utilities as necessary.

	WARNING: The manufacturer assumes no responsibility for any damage caused by the work carried out by unauthorized persons.
	WARNING: The product's power cable must be unplugged during installation. Failure to do so may result in death or serious injuries!
	WARNING: If the door span is too narrow for the product to pass, remove the door and turn the product sideways; if this does not work, contact the authorized service.

- Place the product on a flat surface to avoid vibration.
- Place the product at least 30 cm away from the heater, stove and similar sources of heat and at least 5 cm away from electric ovens.
- Do not expose the product to direct sunlight or keep in damp environments.
- The product requires adequate air circulation to function efficiently.
- If the product will be placed in an alcove, remember to leave at least 5 cm distance between the product and the ceiling and the walls.
- Do not install the product in environments with temperatures below -5°C.

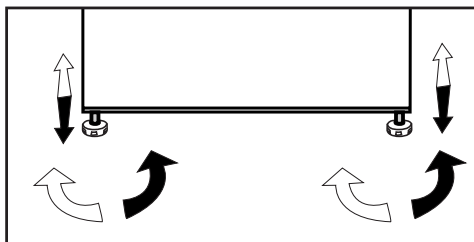
3.2. Attaching the plastic wedges

Use the plastic wedges in the provided with the product to provide sufficient space for air circulation between the product and the wall.




1. To attach the wedges, remove the screws on the product and use the screws provided with the wedges.
2. Attach 2 plastic wedges on the ventilation cover as shown in the figure.

3.3. Adjusting the stands


If the product is not in balanced position, adjust the front adjustable stands by rotating right or left.



3.4. Power connection

	WARNING: Do not use extension or multi sockets in power connection.
	WARNING: Damaged power cable must be replaced by Authorized Service.
	When placing two coolers in adjacent position, leave at least 4 cm distance between the two units.

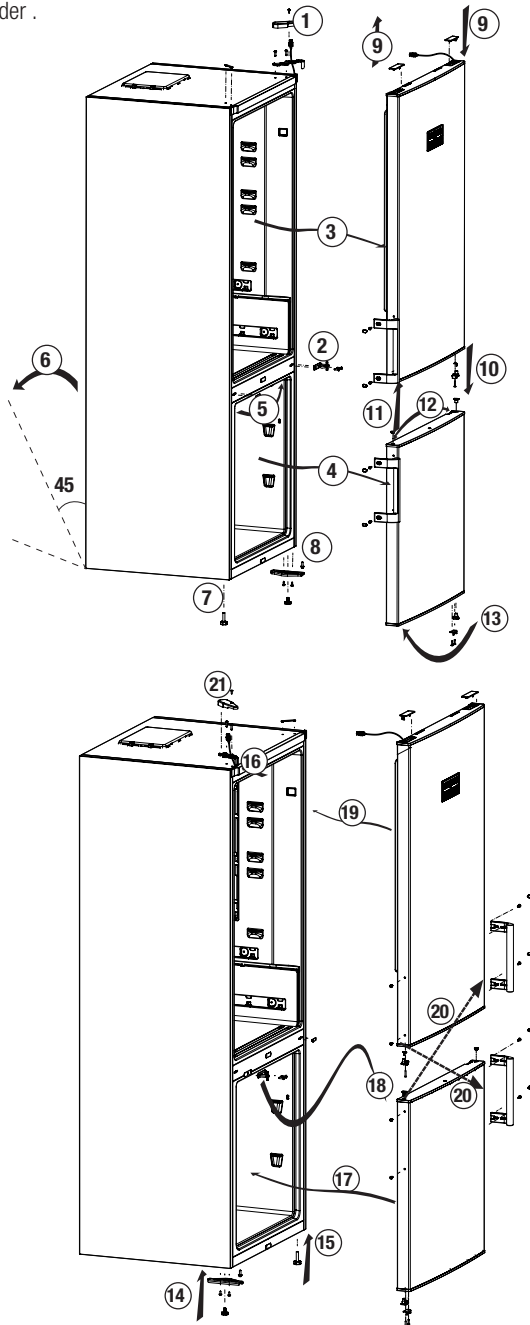
- Our firm will not assume responsibility for any damages due to usage without earthing and power connection in compliance with national regulations.
- The power cable plug must be easily accessible after installation.
- Do not use multi-group plug with or without extension cable between the wall socket and the refrigerator.

	Hot Surface Warning! Side walls of your product is equipped with refrigerant pipes to improve the cooling system. Refrigerant with high temperatures may flow through these areas, resulting in hot surfaces on the side walls. This is normal and does not need any servicing. Please pay attention while touching these areas.
---	--

Installation

3.5. Reversing the doors

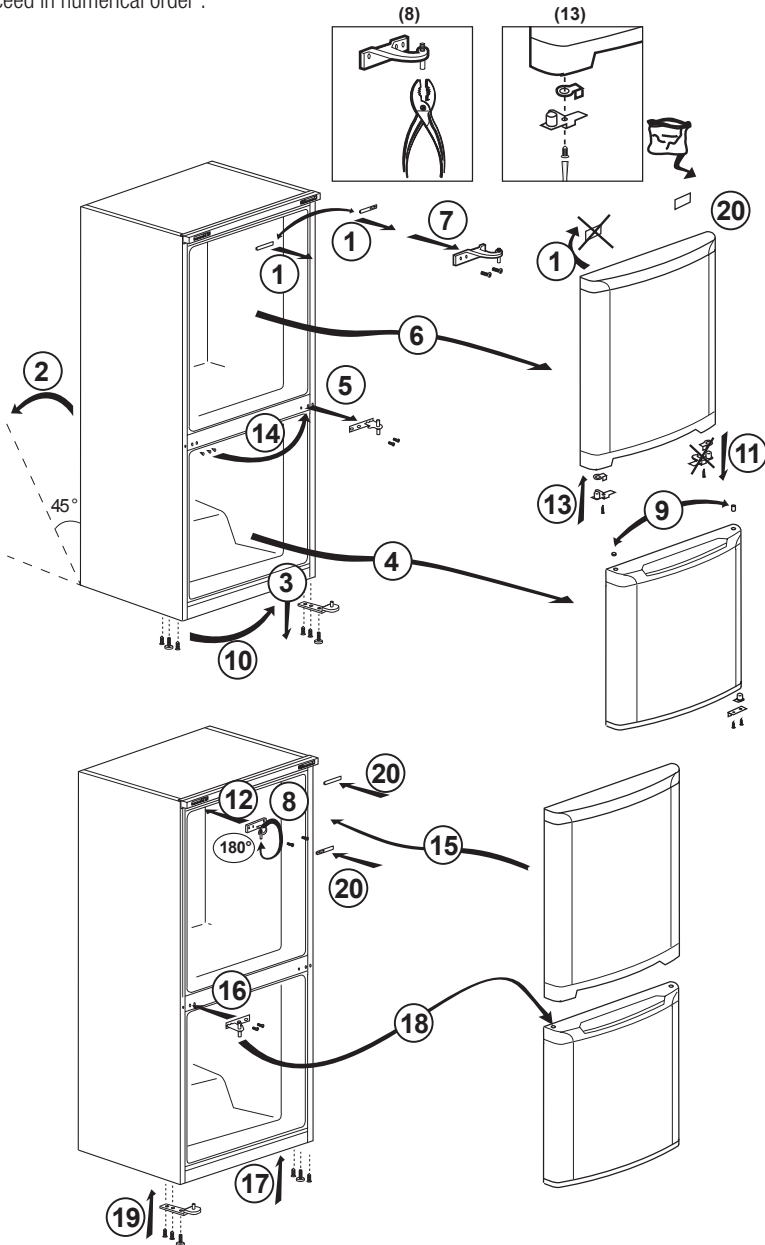
Proceed in numerical order .



Installation

3.6. Reversing the doors

Proceed in numerical order .



4.1. What to do for energy saving

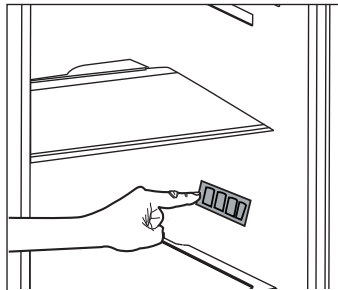


Connecting the product to electronic energy-saving systems is harmful, as it may damage the product.

- For a freestanding appliance; 'this refrigerating appliance is not intended to be used as a built-in appliance' .
- Do not keep the refrigerator doors open for long periods.
- Do not place hot food or beverages into the refrigerator.
- Do not overfill the refrigerator; blocking the internal air flow will reduce cooling capacity.
- In order to store the maximum amount of food into the cooler compartment of your refrigerator, you should take out the upper drawers and place it onto the glass rack. The declared energy consumption of your refrigerator was determined by taking out the cooler, ice tray and upper drawers in a way that will enable maximum storage. Using the below drawer when storing is strongly recommended. Energy saving function should be activated for best energy consumption.
- You should not block the airflow by putting food in front of the cooler fan. A space of minimum 3cm must be left in front of the protective fan wire when placing food.
- Depending on the product's features; defrosting frozen foods in the cooler compartment will ensure energy saving and preserve food quality.
- Food should be stored using the drawers in the cooler compartment in order to ensure energy saving and protect food in better conditions.
- Food packages should not be in direct contact with the heat sensor located in the cooler compartment. If they are in contact with the sensor, energy consumption of the appliance might increase.
- Make sure the foods are not in contact with the cooler compartment temperature sensor described below.
- Since hot and humid air will not directly penetrate into your product when the doors are not opened, your product will optimize itself in conditions sufficient to protect your food. Functions and components such as compressor, fan, heater, defrost, lighting, display and so on will operate according to the needs to consume minimum energy under these circumstances.

4.2. First Use

Before using your refrigerator, make sure the necessary preparations are made in line with the instructions in "Safety and environment instructions" and "Installation" sections.



- Keep the product running with no food inside for 6 and do not open the door, unless absolutely necessary.



A sound will be heard when the compressor is engaged. It is normal to hear sound even when the compressor is inactive, due to the compressed liquids and gasses in the cooling system.



Front edges of the product might heat up. This is normal. These areas are designed to warm up in order to prevent condensation.



In some models indicator panel turns off automatically 5 minutes after the door closes. It will be reactivated when the door is open or any button is pressed.

- Since hot and humid air will not directly penetrate into your product when the doors are not opened, your product will optimize itself in conditions sufficient to protect your food. Functions and components such as compressor, fan, heater, defrost, lighting, display and so on will operate according to the needs to consume minimum energy under these circumstances.

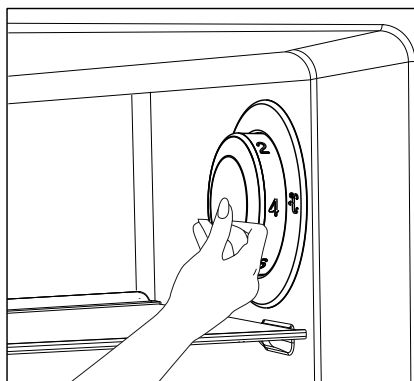
5.1. Temperature adjustment button

Internal temperature of your refrigerator varies depending on the following reasons:

- Seasonal temperatures,
- Opening the door frequently and leaving it open for long periods,
- Meals put into the refrigerator without being cooled to room temperature,
- Location of the refrigerator in the room (e.g. exposed to sunshine).
- Internal temperature varying due to these factors can be adjusted via the adjustment button.

Numbers around the adjustment button indicate temperature degrees as "°C".

If the ambient temperature is 20°C, it is recommended to use the refrigerator temperature adjustment at 4°C. In other ambient temperatures this value can be customised.

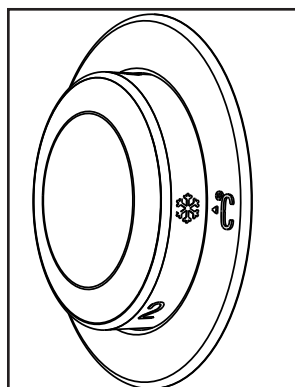


5.2. Rapid freezing

If you want to freeze large amounts of fresh food, switch the temperature adjustment button to (❄️) position before putting the food into the quick freezing compartment.

It is recommended to keep the button at this position for 24 hours to freeze maximum amount of food indicated as the freezing capacity. Pay special attention not to mix food stored as frozen and fresh food.

Remember to switch the temperature adjustment button back to its previous position.




May not be available in all models



***Optional:** The figures in this user guide are intended as drafts and may not perfectly match your product. If your product does not comprise the relevant parts, the information pertains to other models.

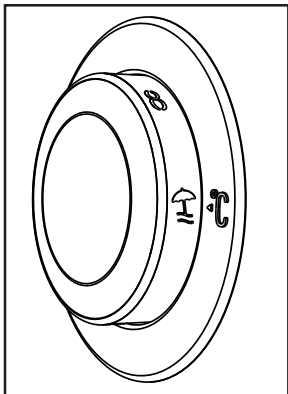
Using the product

5.3. Vacation function

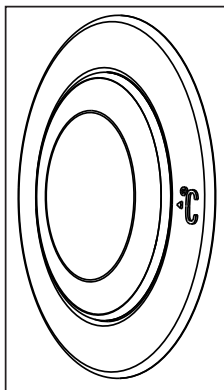
If doors of the product is not () opened for at least 12 hours after adjusting the temperature setting button to the highest, vacation function is automatically activated.

Button setting must be changed to cancel the function.

It is not recommended to store food in the cooler compartment when vacation function is activated.



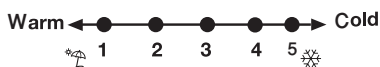
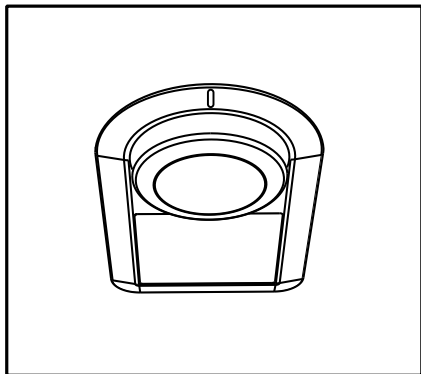
- After setting is completed, you can conceal the temperature setting button by pressing it inside.



Using the product

5.4. Thermostat setting button

The operating temperature is regulated by the temperature control.



1=Lowest cooling setting (Warmest setting).

4=Highest cooling setting (Coldest setting).

The average temperature inside the fridge should be around +5°C.

Please choose the setting according to the desired temperature.

Please note that there will be different temperatures in the cooling area.

The coldest region is immediately above the vegetable compartment.

The interior temperature also depends on ambient temperature, the frequency with which the door is opened and the amount of foods kept inside.

Frequently opening the door causes the interior temperature to rise.

For this reason, it is recommended to close the door again as soon as possible after use.

5.5. Thermostat setting button

The interior temperature of your refrigerator changes for the following reasons;

- Seasonal temperatures,
 - Frequent opening of the door and leaving the door open for long periods,
 - Food put into the refrigerator without cooling down to the room temperature,
 - The location of the refrigerator in the room (e.g. exposing to sunlight).
 - You may adjust the varying interior temperature due to such reasons by using the thermostat.
- Numbers around the thermostat button indicates the cooling degrees.
- If the ambient temperature is higher than 32°C, turn the thermostat button to maximum position.
 - If the ambient temperature is lower than 25°C, turn the thermostat button to minimum position.

5.6. Defrost

Fridge compartment

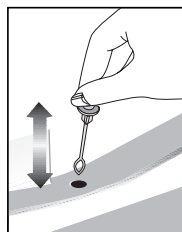
Fridge compartment performs full-automatic defrosting. Water drops and a frosting up to 7-8 mm can occur on the inner rear wall of the fridge compartment while your refrigerator cools down. Such formation is normal as a result of the cooling system. The frost formation is defrosted by performing automatic defrosting with certain intervals thanks to the automatic defrosting system of the rear wall. User is not required to scrape the frost or remove the water drops.

Water resulting from the defrosting passes from the water collection groove and flows into the evaporator through the drain pipe and evaporates here by itself.

Deep freezer compartment does not perform automatic defrosting in order to prevent decaying of the frozen food.

The freezer compartment defrosts automatically.

Check regularly to see if the drain pipe is clogged or not and clear it with the stick in the hole when necessary.



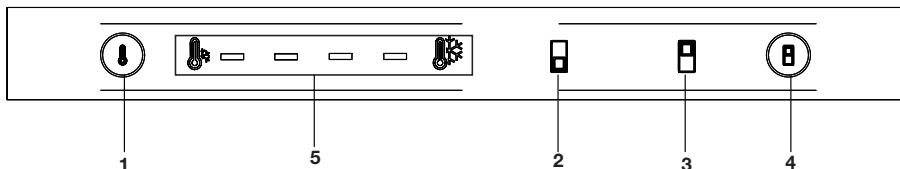
May not be available in all models

Using the product

5.7. Indicator panel

Indicator panels may vary according to the product model.

Audio – visual functions on the indicator panel helps you in using your product.



- 1.** Key For Changing the Cooling Value: It is used to adjust the cooling value of the fridge and freezer compartments. If you press this key while the freezer compartment indicator (2) is on, cooling of the freezer compartment will change. If you press this key while the fridge compartment indicator (3) is on, cooling of the fridge compartment will change.
- 2.** Freezer Compartment Indicator: When this indicator is on, current cooling value of the Freezer compartment will be displayed on the cooling indicator (5). You can press the Key for Changing the Cooling Value (1) to change the cooling value of the freezer compartment.
- 3.** Fridge Compartment Indicator: When this indicator is on, current cooling value of the Fridge compartment will be displayed on the cooling indicator (5). You can press the Key for Changing the Cooling Value (1) to change the cooling value of the fridge compartment.
- 4.** Compartment Selection Key: It is used to select fridge and freezer compartments.
- 5.** Cooling Indicator: It shows the cooling value of the selected compartment. Cooling value increased from left to right.



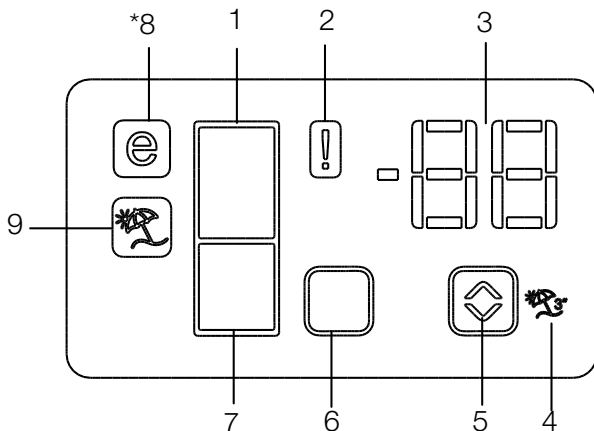
***Optional:** The figures in this user guide are intended as drafts and may not perfectly match your product. If your product does not comprise the relevant parts, the information pertains to other models.

Using the product

5.8. Indicator panel

Indicator panels may vary according to the product model.

Audio – visual functions on the indicator panel helps you in using your product.



1. Fridge Compartment Indicator
2. Error status indicator
3. Temperature indicator
4. Vacation function button
5. Temperature setting button
6. Compartment selection button
7. Freezer compartment indicator
8. Economy mode indicator
9. Vacation function indicator

***optional**

May not be available in all models



***Optional:** The figures in this user guide are intended as drafts and may not perfectly match your product. If your product does not comprise the relevant parts, the information pertains to other models.

Using the product

1. Fridge compartment indicator

Fridge compartment light is illuminated while the fridge compartment temperature is set.

2. Error status indicator

If your refrigerator does not perform enough cooling or in case of a sensor fault, this indicator is activated. When this indicator is activated, "E" is displayed on the freezer compartment temperature indicator, and numbers such as "1,2,3..." are displayed on the fridge compartment temperature indicator. These numbers on the indicator inform service personnel about the error.

3. Temperature indicator

Indicates freezer, fridge compartment temperature.

4. Vacation function button

Press on Vacation Button for 3 seconds to activate this function. When the vacation function is activated, "- -" is displayed on the fridge compartment temperature indicator and no active cooling is performed on the fridge compartment. It is not suitable to keep the food in the fridge compartment when this function is activated. Other compartments shall be continued to be cooled as per their set temperature.

To cancel this function press **Vacation** button again.

5. Temperature setting button

Changes the temperature of the relevant compartment between -24°C... -18°C and 8°C...1°C.

6. Compartment selection button

Selection button: Press compartment selection button to switch between fridge and freezer compartments.

7. Freezer compartment indicator

Fridge compartment light is illuminated while the freezer compartment temperature is set.

8. Economy mode indicator

Indicates that the refrigerator operates in energy saving mode. This display shall be activated if the freezer compartment temperature is set to -18°C.

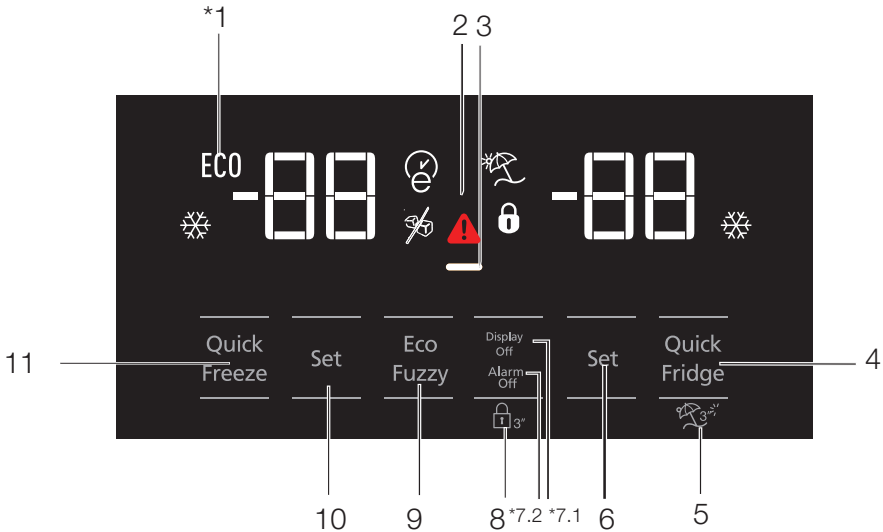
9. Vacation function indicator

Indicates that vacation is activated.

Using the product

5.9. Indicator panel

This touch-control indicator panel allows you to set the temperature without opening the door of your refrigerator. Just touch the relevant button with your finger to set the temperature.



- 1- Economic use
- 2- High temperature / fault alert
- 3- Energy saving function (display off)
- 4- Rapid cooling
- 5- Vacation function
- 6- Cooler compartment temperature setting
- 7- Energy saving (display off) / Alarm off warning
- 8- Keypad lock
- 9- Eco-fuzzy
- 10- Freezer compartment temperature setting
- 11- Rapid freezing

May not be available in all models



***Optional:** The figures in this user guide are intended as drafts and may not perfectly match your product. If your product does not comprise the relevant parts, the information pertains to other models.

Using the product

1. Economic use

This sign will light up when the freezer compartment is set to -18°C , the most economical setting. (ECO) Economic use indicator will turn off when rapid cooling or rapid freezing function is selected.

2. High temperature / fault alert

This indicator (⚠) will light up in case of temperature faults or fault alerts. This indicator illuminates during power failure, high temperature failures and error warnings. During sustained power failures, the highest temperature that the freezer compartment reaches will flash on the digital display. After checking the food located in the freezer compartment press the alarm off button to clear the warning.

3. Energy saving function (display off)

If the product doors are kept closed for a long time energy saving function is automatically activated and energy saving symbol is illuminated. When energy saving function is activated, all symbols on the display other than energy saving symbol will turn off. When the Energy Saving function is activated, if any button is pressed or the door is opened, energy saving function will be cancelled and the symbols on display will return to normal.

Energy saving function is activated during delivery from factory and cannot be cancelled.

4. Rapid cooling

When the rapid cooling function is turned on, the rapid cool indicator will light up (❄) and the cooler compartment temperature indicator will display the value 1. Push the Rapid cool button again to cancel this function. The Rapid cool indicator will turn off and return to normal setting. The rapid cooling function will be automatically cancelled after 1 hour, unless cancelled by the user. Too cool a large amount of fresh food, press the rapid cool button before placing the food in the cooler compartment.

5. Vacation function

To activate the Vacation function, press the button for (⏸) 3 seconds; this will activate the vacation mode indicator (⏸). When the Vacation function is active, the cooler compartment temperature indicator displays the inscription "- -" and no cooling process will be active in the cooling compartment. This function is not suitable to keep food in the cooler compartment. Other compartments will remain cooled with the respective temperature set for each compartment.

Push the **vacation function** button again to cancel this function

6. Cooler compartment temperature setting

After pressing the button, the cooler compartment temperature can be set to 8,7,6,5,4,3,2 and 1 respectively. (📺)

7.1. Energy saving (display off)

Pressing this button (⏸) will light up the energy saving sign (⏸) and the Energy-saving function will activate. Activating the energy-saving function will turn off all other signs on the display. When the energy-saving function is active, pressing any button or opening the door will deactivate the energy-saving function and the display signals will return to normal. Pressing this button (⏸) again will turn off the energy-saving sign and deactivate the energy-saving function.

7.2. Alarm off warning:

In case of power failure/high temperature alarm, after checking the food located in the freezer compartment press the alarm off button to clear the warning.

8. Keypad lock

Press the keypad lock button (🔒) simultaneously for 3 seconds. The keypad lock sign

(🔒) will light up and the keypad lock will be activated. The buttons will be inactive when the Keypad lock is activated. Press the Keypad lock button again simultaneously for 3 seconds. The keypad lock sign will turn off and the keypad lock mode will be disengaged.

Press the **keypad lock** button (🔒) to prevent changing the refrigerator's temperature settings.

9. Eco-fuzzy

To activate the eco-fuzzy function, press and hold the eco-fuzzy button for 1 second. When this function is active, the freezer will switch to the economic mode after at least 6 hours and the economic use indicator will light up. To deactivate the (🌿) eco-fuzzy function, press and hold the eco-fuzzy function button for 3 seconds.

The indicator will light up after 6 hours when the eco-fuzzy function is active.

10. Freezer compartment temperature setting

The temperature in the freezer compartment is adjustable. Pressing the button will enable the freezer compartment temperature to be set at -18, -19, -20, -21, -22, -23 and -24. (📺)

Using the product

11. Rapid freezing

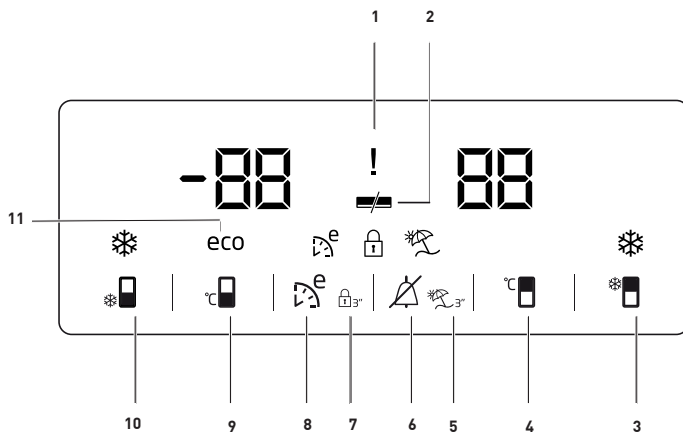
For rapid freezing, press the button; this will activate the rapid freezing indicator (❄️).

When the rapid freezing function is turned on, the rapid freeze indicator will light up and the freezer compartment temperature indicator will display the value -27. Press the Rapid freeze button (❄️) again to cancel this function. The Rapid freeze indicator will turn off and return to normal setting. The rapid freezing function will be automatically cancelled after 24 hours, unless cancelled by the user. To freeze a large amount of fresh food, press the rapid freeze button before placing the food in the freezer compartment.

Using the product

5.10. Indicator panel

Indicator panel allows you to set the temperature and control the other functions related to the product without opening the door of the product. Just press the inscriptions on relevant buttons for function settings.



1. Power Failure / High temperature / Error status indicator

This indicator (!) illuminates in case of power failure, high temperature and error warnings.

When the temperature of the freezer compartment is heated up to a critical level for the frozen food, the maximum value reached by the freezer compartment temperature flashes on the digital indicator.

Check the food in the freezer compartment.

This is not a malfunction. The warning may be deleted by pressing any button or on high temperature alarm off button. (Cancelling by pressing any button is not applicable for every model.)

This indicator (⚠) illuminated when a sensor failure occurs, too. When this indicator is illuminated, "E" and figures such as "1,2,3..." are displayed alternatively on the temperature indicator. These figures on the indicator inform the service personnel about the error.

2. Energy saving function (display off)

If the product doors are kept closed for a long time energy saving function is automatically activated and energy saving symbol is illuminated. (🔌)

When energy saving function is activated, all symbols on the display other than energy saving symbol will turn off. When the Energy Saving function is activated, if any button is pressed or the door is opened, energy saving function will be canceled and the symbols on display will return to normal.

Energy saving function is activated during delivery from factory and cannot be canceled.

3. Quick fridge function





The button has two functions. To activate or deactivate the quick cool function press it briefly. Quick Cool indicator will turn off and the product will return to its normal settings. (❄️)

May not be available in all models




***Optional:** The figures in this user guide are intended as drafts and may not perfectly match your product. If your product does not comprise the relevant parts, the information pertains to other models.


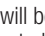
Using the product

	Use quick cooling function when you want to quickly cool the food placed in the fridge compartment. If you want to cool large amounts of fresh food, activate this function before putting the food into the product.
	If you do not cancel it, quick cooling will cancel itself automatically after 1 hours or when the fridge compartment reaches to the required temperature.
	If you press the quick cooling button repeatedly with short intervals, the electronic circuit protection will be activated and the compressor will not start up immediately.
	This function is not recalled when power restores after a power failure.

4. Fridge compartment temperature setting button

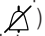
Press this button to set the temperature of the fridge compartment to 8,7,6,5,4,3,2,1,8... respectively. Press this button to set the fridge compartment temperature to the desired value. 

5. Vacation Function

In order to activate vacation function, press the this button  for 3 seconds, and the vacation mode indicator  will be activated. When the vacation function is activated, "- " is displayed on the fridge compartment temperature indicator and no active cooling is performed on the fridge compartment. It is not suitable to keep the food in the fridge compartment when this function is activated. Other compartments shall be continued to be cooled as per their set temperature.

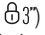

To cancel this function press **Vacation function** button again.

6. Termination of the High Temperature Warning:

In case of power failure/high temperature warning, you may delete the warning  by pressing any button on the indicator or high temperature alarm off button for 1 second after checking the food inside the freezer compartment.

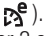
Note: Cancelling by pressing any button is not applicable for every model.

7. Key lock

Press key lock button  simultaneously for 3 seconds. Key lock symbol  will light up and key lock mode will be activated. Buttons will not function if the Key lock mode is active. Press key lock button simultaneously for 3 seconds again. Key lock symbol will turn off and the key lock mode will be exited.


Press the **key lock** button if you want to prevent changing of the temperature setting of the refrigerator .

8. Eco fuzzy


Press and hold eco fuzzy button for 1 seconds to activate eco fuzzy function. Refrigerator will start operating in the most economic mode at least 6 hours later and the economic usage indicator will turn on when the function is active . Press and hold eco fuzzy function button for 3 seconds to deactivate eco fuzzy function.

This indicator is illuminated after 6 hours when eco fuzzy is activated.



9. Freezer compartment temperature setting button

Press this button to set the temperature of the freezer compartment to -18,-19,-20,-21, -22, -23,-24, -18... respectively. Press this button to set the freezer compartment temperature to the desired value. 

10. Quick freeze function button/ icematic on-off button

Press this button to activate or deactivate the quick freezing function. When you activate the function, the freezer compartment will be cooled to a temperature lower than the set value. 

To turn on and off the icematic press and hold it for 3 seconds.

	Use the quick freeze function when you want to quickly freeze the food placed in fridge compartment. If you want to freeze large amounts of fresh food, activate this function before putting the food into the product.
	If you do not cancel it, Quick Freeze will cancel itself automatically after 24 hours or when the fridge compartment reaches to the required temperature.

Using the product



This function is not recalled when power restores after a power failure.

11. Economic usage indicator

Indicates that the product is running in energy-efficient mode. **(eco)**This indicator will be active if the Freezer Compartment temperature is set to -18 or the energy efficient cooling is being performed due to Eco-Extra function.

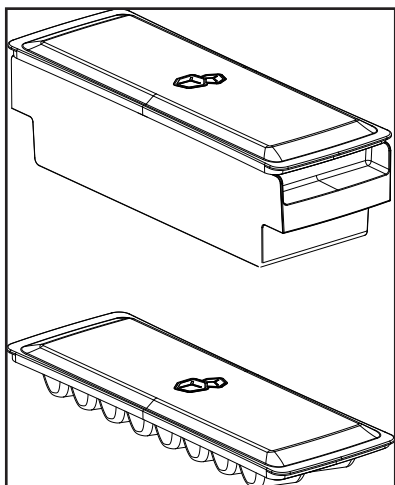


Economic usage indicator is turned off when quick cooling or quick freeze functions are selected.

5.11. Ice bucket

*optional

- Take the ice bucket from the freezer compartment.
- Fill the ice bucket with water.
- Place the ice bucket into the freezer compartment.
- The ice will be ready after approximately two hours. Take the ice bucket from the freezer compartment and bend it slightly over the holder that you are going to serve. Ice will easily pour into the serving holder.



5.12. Eggholder

You can put the eggholder on the door or body rack of your choice. If you decide to put it on the body rack, it is recommended to prefer the shelves below as they are colder.

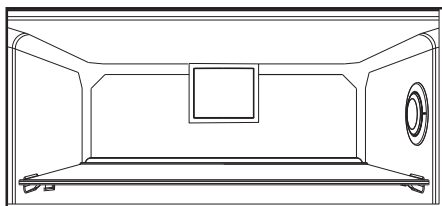


Do not put the eggholder into the freezer compartment.

5.13. Fan

Fan was designed to distribute circulate the cold air inside your refrigerator homogeneously. Operating time of the fan might vary depending the features of your product.

While in some products fan only operates with compressor, in others control system determines the operating time based on the need for cooling.



5.14. Vegetable bin

*optional

Product's vegetable bin is designed to keep vegetables fresh by preserving humidity. For this purpose, the overall cold air circulation is intensified in the vegetable bin.

5.15. Zero degree compartment

*optional

Use this compartment to keep delicatessen at lower temperatures or meat products for immediate consumption.

Zero degree compartment is the coolest place where foods such as dairy products, meat, fish and chicken can be stored in ideal storage conditions. Vegetables and/or fruits should not be stored in this compartment.

Using the product

5.16. Using the second crisper of the product;



Figure 1.

As shown in the figure, there are 2 stoppers in the second crisper of K70560 model product.



Figure 2.

The second crisper looks like Figure 2 when closed.



Figure 3.

With the door is open 90°, pull the second crisper up to the first stopper as shown in Figure 3.

In the case that the drawer is more open, first of all, open the door by at least 135° degrees. After that, as shown in Figure 4, lift the second crisper for about 5 mm so that it is freed from the first stopper.



Figure 4.

After lifting, pull the second drawer up to the second stopper as shown in Figure 5.



Figure 5.

Using the product

5.17. Moving door rack

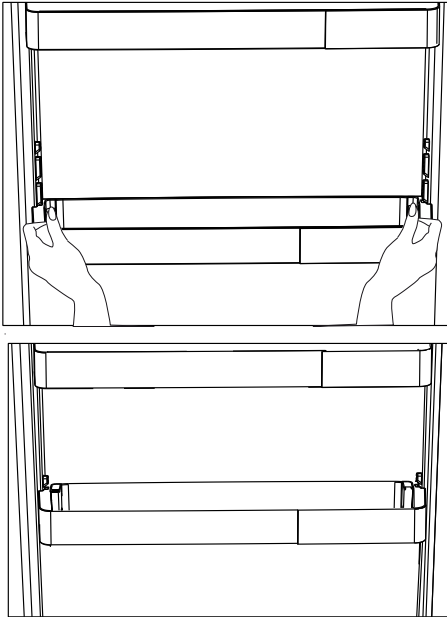
*optional

Moving door rack can be fixed in 3 different positions.

In order to move the rack, push the buttons on the side evenly. Rack will be movable.

Move the rack up or down.

When the rack is in the position that you want, release the buttons. Rack will be fixed again in the position where you have released the buttons.

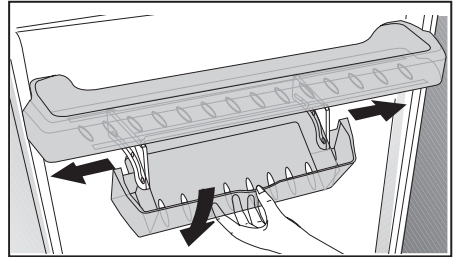


5.18. Sliding storage box

*optional

This accessory has been designed to increase the usage volume of the door racks.

Thanks to its ability to move sideways, it enables you to easily place long bottle, jar or boxes that you put in the bottle rack below.



5.19. Moisture controlled vegetable bin

*optional

With moisture control feature, moisture rates of vegetables and fruits are kept under control and ensures a longer freshness period for foods.

It is recommended to store leafed vegetables such as lettuce and spinach and similar vegetables prone to moisture loss not on their roots but in horizontal position into the vegetable bin as much as possible. When placing the vegetables, place heavy and hard vegetables at the bottom and light and soft ones on the top, taking into account the specific weights of vegetables.

Do not leave vegetables in the vegetable bin in plastic bags. Leaving them in plastic bags causes vegetables to rot in a short time. In situations where contact with other vegetables is not preferred, use packaging materials such as paper that has a certain porosity in terms of hygiene.

Do not put fruits that have a high ethylene gas production such as pear, apricot, peach and particularly apple in the same vegetable bin with other vegetables and fruits. The ethylene gas coming out of these fruits might cause other vegetables and fruits to mature faster and rot in a shorter period of time.

Using the product

5.20. Deodoriser Module

(FreshGuard) *optional

The deodoriser module quickly eliminates the bad smells in your refrigerator before they permeate the surfaces. Thanks to this module, which is placed on the ceiling of the fresh food compartment, the bad odours dissolve while the air is actively being passed on the odour filter, then the air that has been cleaned by the filter is re-emitted to the fresh food compartment. This way, the unwanted odours that may emerge during the storage of foods in the refrigerator are eliminated before they permeate the surfaces.

This is achieved thanks to the fan, LED and the odour filter integrated into the module. In daily use, the deodoriser module will turn on automatically on a periodic basis. To maintain efficient performance, it is recommended to have the filter in the deodoriser module by the authorised service provider every 5 years. Due to the fan integrated into the module, the noise you will hear during operation is normal. If you open the door of the fresh food compartment while the module is active, the fan will pause temporarily and resume where it has left off after some time the door is closed again. In case of power failure, the deodoriser module will resume where it has left off in the total operation duration once the power is back.

Info: It is recommended to store aromatic foods (such as cheese, olives and delicatessen foods) in their packaging and sealed to avoid bad odours that may result when smells of various foods get mixed. Besides, it is recommended to take spoiled foods out of the refrigerator quickly to prevent the other foods from getting spoiled and avoid bad odours.

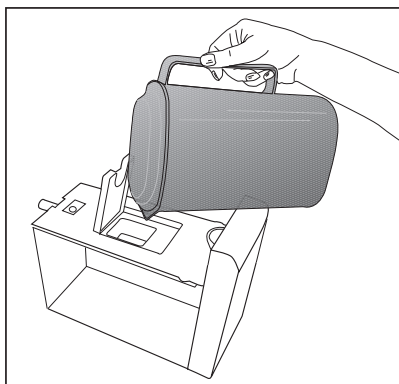
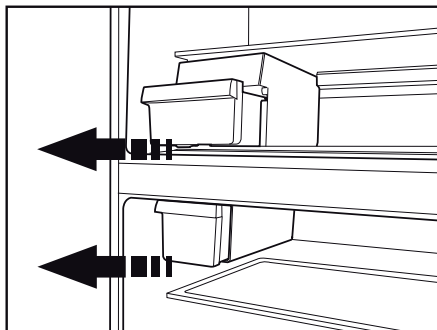
5.21. Automatic ice machine

*optional

Automatic ice machine enables you to easily make ice in your refrigerator. In order to obtain ice from the ice machine, take out the water tank in the cooler compartment, fill it with water and fix it back. First ice will be ready in about 2 hours in the ice machine drawer in the cooler compartment. After placing the full water tank, you can obtain about 60-70 cubes of ice until it is fully empty. If the water in the tank has waited for 2-3 weeks, it should be changed.



In products with automatic ice machine, you might hear a sound when pouring the ice. This sound is normal and is not a sign of failure.



Using the product

5.22. Icematic and ice storage container

*optional

Using the Icematic

Fill the Icematic with water and place it into its seat. Your ice will be ready approximately in two hours. Do not remove the Icematic from its seating to take ice. Turn the knobs on the ice reservoirs clockwise by 90 degrees.

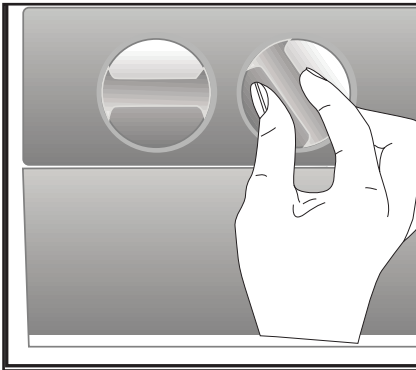
Ice cubes in the reservoirs will fall down into the ice storage container below.

You may take out the ice storage container and serve the ice cubes.

If you wish, you may keep the ice cubes in the ice storage container.

Ice storage container

Ice storage container is only intended for accumulating the ice cubes. Do not put water in it. Otherwise, it will break.



5.23. Using the water dispenser

*optional

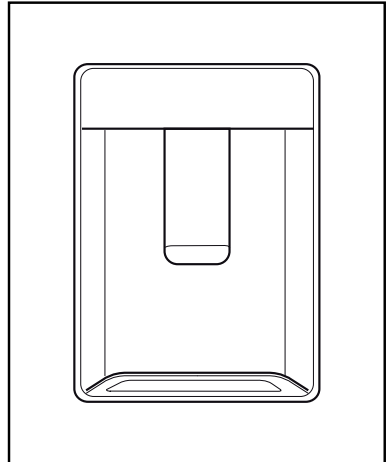


It is normal for the first few glasses of water taken from the dispenser to be warm.



If the water dispenser is not used for a long period of time, dispose of first few glasses of water to obtain fresh water.

1. Push in the lever of the water dispenser with your glass. If you are using a soft plastic cup, pushing the lever with your hand will be easier.
2. After filling the cup up to the level you want, release the lever.



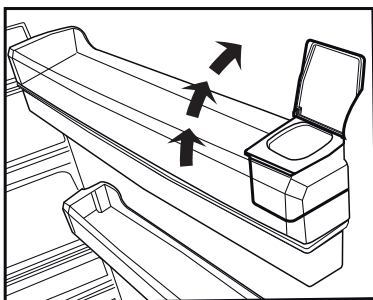
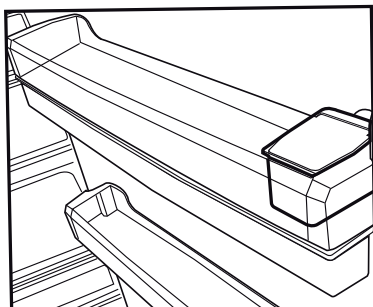
Please note, how much water flows from the dispenser depends on how far you depress the lever. As the level of water in your cup / glass rises, gently reduce the amount of pressure on the lever to avoid overflow. If you slightly press the arm, the water will drip; this is quite normal and not a failure.

Using the product

5.24. Filling the water dispenser's tank

Water tank filling reservoir is located inside the door rack.

1. Open the cover of the tank.
2. Fill the tank with fresh drinking water.
3. Close the cover.



Do not fill the water tank with any other liquid except for water such as fruit juices, carbonated beverages or alcoholic drinks which are not suitable to use in the water dispenser. Water dispenser will be irreparably damaged if these kinds of liquids are used. Warranty does not cover such usages. Some chemical substances and additives contained in these kinds of drinks/liquids may damage the water tank.



Use clean drinking water only.



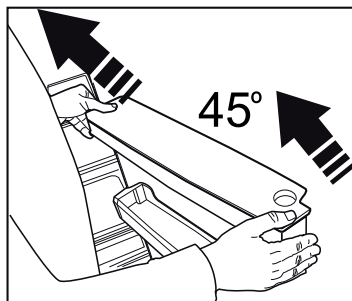
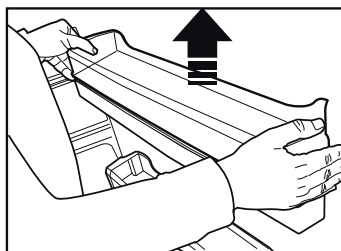
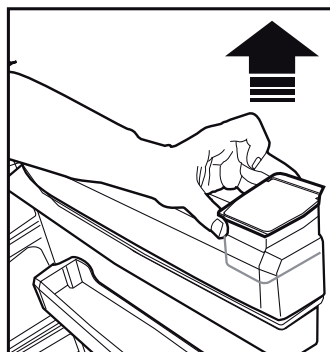
Capacity of the water tank is 3 litres; do not overfill.

5.25. Cleaning the water tank

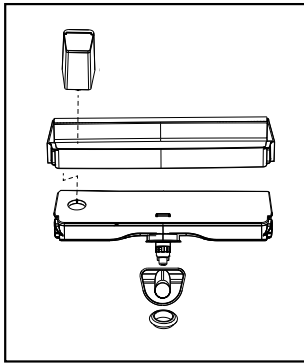
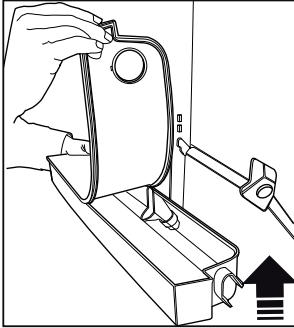
1. Remove the water filling reservoir inside the door rack.
2. Remove the door rack by holding from both sides.
3. Grab the water tank from both sides and remove it with an angle of 45°C.
4. Remove the cover of the water tank and clean the tank.



Components of the water tank and water dispenser should not be washed in dishwasher.



Using the product

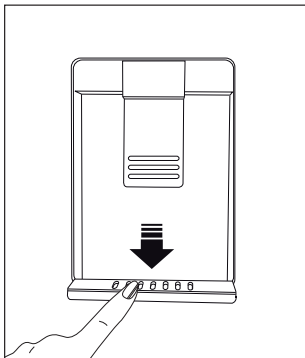


5.26. Drip tray

Water that dripped while using the water dispenser accumulates in the spillage tray.

Remove the plastic filter as shown in the figure.

With a clean and dry cloth, remove the water that has accumulated.



5.27. HerbBox/HerbFresh

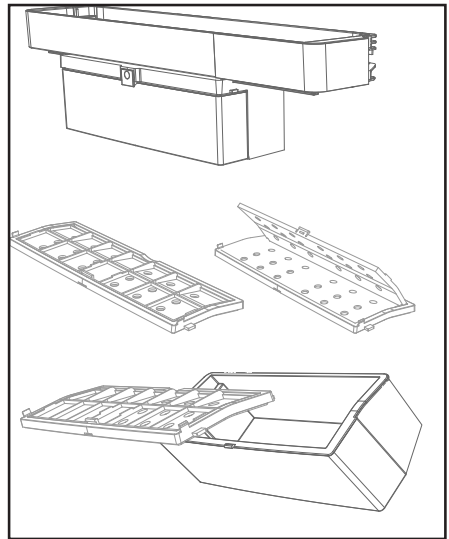
Remove the film container from HerbBox/HerbFresh+

Take the film out of the bag and put it into the film container as shown in the image.

Seal the container again and replace it into HerbBox/HerbFresh+ unit.

HerbBox-HerbFresh+ sections are especially ideal for storage of various herbs that are supposed to be kept in delicate conditions. You can store your unbagged herbs (parsley, dill, etc.) in this section horizontally and keep them fresh for a much longer period.

The film shall be replaced in every six months.



Using the product

5.28. Freezing fresh food

- To preserve food quality, the food items placed in the freezer compartment must be frozen as quickly as possible, use the rapid freezing for this.
- Freezing the food items when fresh will extend the storage time in the freezer compartment.
- Pack the food items in air-tight packs and seal tightly.
- Make sure the food items are packed before putting in the freezer. Use freezer holders, tinfoil and damp-proof paper, plastic bag or similar packaging materials instead of traditional packaging paper.



Ice in the freezing compartment thaws automatically.

- Mark each food pack by writing the date on the package before freezing. This will allow you to determine the freshness of each pack every time the freezer is opened. Keep the earlier food items in the front to ensure they are used first.

- Frozen food items must be used immediately after defrosting and should not be frozen again.
- Do not freeze large quantities of food at once.

5.29. Recommendations for storing frozen foods

The compartment must be set to at least -18°C .

1. Place the food items in the freezer as quickly as possible to avoid defrosting.
2. Before freezing, check the "Expiry Date" on the package to make sure it is not expired.
3. Make sure the food's packaging is not damaged.

Freezer Compartment Temperature Setting	Cooler Compartment Temperature Setting	Details
-18°C	4°C	This is the default, recommended setting.
$-20, -22$ or -24°C	4°C	These settings are recommended for ambient temperatures exceeding 30°C .
Quick Freeze	4°C	Use when you want to freeze your food in a short time. When the process ends, the product will regain its position.
-18°C or colder	2°C	Use these settings if you believe the cooler compartment is not cold enough due to ambient temperature or frequently opening the door.

Using the product

5.30. Deep freezer details

As per the IEC 62552 standards, the freezer must have the capacity to freeze 4,5 kg of food items at -18°C or lower temperatures in 24 hours for each 100 litres of freezer compartment volume.

Food items can only be preserved for extended periods at or below temperature of -18°C .

You can keep the foods fresh for months (in deep freezer at or below temperatures of 18°C).

The food items to be frozen must not contact the already-frozen food inside to avoid partial defrosting.

Boil the vegetables and filter the water to extend the frozen storage time. Place the food in air-tight packages after filtering and place in the freezer.

Bananas, tomatoes, lettuce, celery, boiled eggs, potatoes and similar food items should not be frozen. In case this food rots, only nutritional values and eating qualities will be negatively affected. A rotting threatening human health is not in question.

5.31. Placing the food

Freezer compartment shelves	Various frozen goods including meat, fish, ice cream, vegetables etc.
Cooler compartment shelves	Food items inside pots, capped plate and capped cases, eggs (in capped case)
Cooler compartment door shelves	Small and packed food or beverages
Vegetable bin	Fruits and vegetables
Fresh food compartment	Delicatessen (breakfast food, meat products to be consumed in short notice)

5.32. Door open alert

(Optional)

An audible alert will be heard if the product's door remains open for at least 1 minute. The audible alert will stop when the door is closed or any button on the display (if available) is pressed.

Door open alert is indicated to the user both audibly and visually. Interior lighting will turn off if the warning continues for 10 min.

5.33. Changing the opening direction of the door

You can change the direction of opening of your refrigerator depending on the location where you use it. When you need this, consult the closest Authorized Service.

The explanation above is a general statement. You should check the warning tag located inside the product package about the changeability of direction of the door.

5.34. Interior light

Interior light uses a LED type lamp. Contact the authorized service for any problems with this lamp. Lamp(s) used in this appliance cannot be used for house lighting. Intended use of this lamp is to help the user place food into the refrigerator / freezer safely and comfortably.

5.35. Blue light/HarvestFresh

***May not be available in all models**

For the blue light,

Fruits and vegetables stored in the crispers that are illuminated with a blue light continue their photosynthesis by means of the wavelength effect of blue light and thus preserve their vitamin content.

For HarvestFresh,

Fruits and vegetables stored in crispers illuminated with the HarvestFresh technology preserve their vitamins for a longer time thanks to the blue, green, red lights and dark cycles, which simulate a day cycle. If you open the door of the refrigerator during the dark period of the HarvestFresh technology, the refrigerator will automatically detect this and enable the blue-green or red light to illuminate the crisper for your convenience. After you have closed the door of the refrigerator, the dark period will continue, representing the night time in a day cycle.

Service life of the product will extend and frequently encountered problems will decrease if the product is cleaned periodically.



WARNING: Switch off the product before cleaning.



WARNING: It is recommended to clean the condenser every six months using gloves. You must not use vacuum cleaners.

- Never use gasoline, benzene or similar substances for cleaning purposes.
- Never use any sharp abrasive instruments, soap, household cleaners, detergent or wax polish for cleaning.
- Dissolve one teaspoon of carbonate in half liter of water. Soak a cloth in the solution and wring it thoroughly. Wipe the interior of the refrigerator with this cloth and the dry thoroughly.
- Make sure that no water enters the lamp housing or other electrical parts.
- If you will not use the refrigerator for a long time, unplug it, remove all food inside, clean it and leave the door ajar.
- Check regularly that the door gaskets are clean. If not, clean them.
- Take out all items in the product to remove the door and body shelves.
- Remove the door shelves by pulling them up. Slide the shelves downwards to re-install them after cleaning.
- Never use chloric cleaning agents or water to clean outer surfaces or chrome-coated parts of the product. Chlorine causes abrasion on such metal surfaces.
- For non-No Frost products, water drops and frosting up to a fingerbreadth occur on the rear wall of the Fridge compartment. Do not clean it; never apply oil or similar agents on it.
- Only use slightly damp microfiber cloths to clean the outer surface of the product. Sponges and other types of cleaning cloths may scratch the surface.

6.1. Avoiding Bad Odours

Materials that may cause odour are not used in the production of our refrigerators. However, odour may be emitted if foods are stored improperly or if the inner surface of the product is not cleaned as required. Please consider the following to avoid this problem:

- It is important that the refrigerator is kept clean. Food residuals, stains, etc. can cause odour. For this reason, clean your refrigerator with carbonate solved in water every 15 days. Never use detergents or soap.
- Keep your foods in closed vessels. Microorganisms emitted from vessels without a cover may cause unpleasant odours.
- Never keep expired or spoiled foods in your refrigerator.

6.2. Protection of plastic surfaces

Do not put liquid oils or oil-cooked meals in your refrigerator in unsealed containers as they damage the plastic surfaces of your refrigerator. If oil is spilled or smeared onto the plastic surfaces, clean and rinse the relevant part of the surface with warm water immediately.

6.3. Cleaning the Inner Surface

To clean the inner surfaces and all removable parts, wash them with a mild solution comprising soap, water and carbonate. Rinse and dry thoroughly. Prevent the water from contacting the lighting means and control panel.



ATTENTION:

Do not use vinegar, rubbing alcohol or other alcohol-based cleaning agents on any of the inner surfaces.

6.4. Stainless Steel Outer Surfaces

Use a stainless steel cleaning agent that is non-abrasive and apply it with a lint-free, soft cloth. For polishing, wipe the surface softly with a damp microfiber cloth and use dry wash-leather. Always follow the strands of the stainless steel.

6.5. Cleaning Products with Glass Doors

Remove the protection foil on the glass.

There is a coating on the surface of the glass. This coating minimises stain formation and ensures that stains and dirt are cleaned easily. Glasses that are not protected by a coating might be exposed to permanent bonding of organic or inorganic, air or waterborne pollutants such as limescale, mineral salts, unburned hydrocarbons, metal oxides and silicones, which lead to stains and physical damage in a short time. Despite regular washing, the glass becomes very hard to keep clean, though not impossible. As a result, the clarity and good appearance of the glass reduces. Hard and abrasive cleaning compounds and methods increase these defects even further and accelerate the deterioration process.

*Non-alkali, non-abrasive and water-based cleaning products must be used for routine cleaning procedures. For the coating to have long service life, alkali or abrasive substances must not be used during cleaning processes.

These glasses were subject to a tempering process to increase their impact and breakage resistance. As an additional safety measure, there is a safety film on the back surfaces of the glasses to ensure that they will not harm the environment in case of breakage.

Please review this list before calling the service. This will save you time and money. This list contains frequently encountered problems that are not results of faulty workmanship or material use. Your product may not have some of the features described here.

The refrigerator is not operating.

- It may not be plugged in properly. >>>Plug in the product properly.
- The fuse of the socket to which your refrigerator is connected or the main fuse may have blown. >>>Check the fuse.

Condensation on the side wall of the fridge compartment (MULTI ZONE, COOL CONTROL and FLEXI ZONE).

- The door may have been opened/closed frequently. >>>Do not open/close the refrigerator door frequently.
- The environment may be too humid. >>>Do not install the refrigerator at locations with a very high level of humidity.
- Foods containing liquid may have been placed into the refrigerator in vessels without covers. >>>Do not place foods containing liquid into the refrigerator in unsealed vessels.
- Door of the refrigerator may have been left ajar. >>>Do not keep the doors of your refrigerator open for a long time.
- The thermostat may have been set to a very cold level. >>>Set the thermostat to an appropriate level.

The compressor is not operating.

- Protective thermal of the compressor will blow out during sudden power failures or plug-out plug-ins as the refrigerant pressure in the cooling system of the refrigerator has not been balanced yet. The refrigerator will start running approximately after 6 minutes. Please call the Authorised Service Provider if the refrigerator does not start at the end of this period.
- The freezer is in defrosting cycle. >>>This is normal for a refrigerator that performs full-automatic defrosting. Defrosting cycle is performed periodically.
- The refrigerator may not be plugged in. >>>Make sure that the plug fits the socket.
- Temperature settings may be incorrect. >>>Select the correct temperature value.
- Possible power failure. >>>The refrigerator will start to operate normally when power restores.

The operation noise increases when the refrigerator is running.

- Operating performance of the refrigerator may vary based on the ambient temperature changes. This is normal and not a fault.

The fridge is running frequently or for a long time.

- Your new product may be bigger than the previous one. Larger refrigerators operate for a longer period of time.
- The room temperature may be high. >>> It is normal that the product operates for longer periods in hot environments.
- The refrigerator may have just been plugged in or loaded with food. >>>It takes the product longer to reach the set temperature when it has just been plugged in or loaded with food. This is normal.
- Large amounts of hot food may have been placed into the refrigerator recently. >>>Do not place hot foods into the refrigerator.
- The doors may have been opened frequently or left ajar for a long time. >>>The warm air that enters the refrigerator causes it to operate for a longer period of time. Do not open the doors frequently.
- Freezer or fridge compartment door may have been left ajar. >>> Check if the doors are closed completely.
- The appliance may be set to a very low temperature. >>> Set the refrigerator temperature to a warmer degree and wait until the product reaches this temperature.
- Door seal of the fridge or freezer compartment may be soiled, worn out, broken or not properly seated. >>> Clean or replace the seal. Damaged/broken seal causes the refrigerator to run for a longer period of time to maintain the current temperature.

Fridge temperature is adequate but the freezer temperature is very low.

- The freezer compartment temperature may be set to a very low value. >>> Set the freezer compartment temperature to a higher value and check.

Freezer temperature is adequate but the fridge temperature is very low.

- The fridge temperature is adjusted to a very low value. >>> Adjust the fridge temperature to a higher value and check.

Troubleshooting

Food kept in the fridge compartment drawers is frozen.

- The fridge compartment temperature may be set to a very high value. >>> Set the fridge compartment temperature to a lower value and check.

Temperature in the fridge or freezer is very high.

- The fridge compartment temperature may be set to a very high value. >>> Fridge compartment temperature setting has an effect on the temperature of the freezer. Change the temperature of the fridge or freezer compartment until the fridge or freezer compartment temperature reaches an adequate level.
- The doors may have been opened frequently or left ajar for a long time. >>>Do not open the doors frequently.
- The door may have been left ajar. >>>Close the door completely.
- The refrigerator may have been just plugged in or loaded with food. >>>This is normal. It takes the product longer to reach the set temperature when it has just been plugged in or loaded with food.
- Large amounts of hot food may have been placed into the refrigerator recently. >>>Do not place hot foods into the refrigerator.

Vibration or noise.

- The floor may not be stable or level. >>>If the refrigerator shakes when moved slightly, adjust the feet to balance it. Make sure that the floor is level and capable of carrying the refrigerator.
- Objects placed onto the refrigerator may cause noise. >>>Remove the objects on the refrigerator.

There are noises coming from the refrigerator like liquid spilling or spraying.

- Liquid and gas flows occur in accordance with the operating principles of the refrigerator. >>>This is normal and not a fault.

Whistle is heard from the refrigerator.

- There are fans that are used to cool the refrigerator. This is normal and not a fault.

Damp accumulates on the inner walls of refrigerator.

- Hot and humid weather increases icing and condensation. This is normal and not a fault.
- The doors may have been opened frequently or left ajar for a long time. >>>Do not open the doors frequently. Close the doors, if open.
- The door may have been left ajar. >>>Close the door completely.

Humidity occurs on the outer surface of the refrigerator or between the doors.

- Air might be humid. This is quite normal in humid weathers. >>>Condensation will disappear when the humidity level decreases.
- There might be external condensation at the section between two doors of the refrigerator if you use your product rarely. This is normal. Condensation will disappear upon frequent use.

There is a bad odour inside the refrigerator.

- No regular cleaning may have been performed. Clean the inside of the refrigerator with a sponge, lukewarm water or carbonated water.
- Some vessels or packaging materials may cause the odour. >>>Use another vessel, or packaging materials from another brand.
- Foods may have been placed into the refrigerator in vessels without covers. >>>Store the foods in closed vessels. Microorganisms emitted from vessels without a cover may cause unpleasant odours.
- Take out expired or spoiled foods from the refrigerator.

The door cannot be closed.

- Food packages may be preventing the door from closing. >>> Re-locate the packages that are obstructing the door.
- The refrigerator may be unstable on the floor. >>>Adjust the refrigerator feet as required to keep the refrigerator in balance.
- The floor may not be level or solid. >>>Make sure that the floor is level and capable of carrying the refrigerator.

Crispers are stuck.

- Foods may be touching the upper wall of the crisper. >>>Re-organise the foods in the crisper.

If The Surface Of The Product Is Hot.

High temperatures may be observed between the two doors, on the side panels and at the rear grill while the product is operating. This is normal and does not require service maintenance!

Fan keeps running when the door is open.

The fan may keep running when the door of the freezer is open.



WARNING: If you cannot eliminate the problem although you follow the instructions in this section, consult your dealer or the Authorised Service Provider. Never attempt to repair a malfunctioned product.

EN

DISCLAIMER / WARNING

Some (simple) failures can be adequately handled by the end-user without any safety issue or unsafe use arising, provided that they are carried out within the limits and in accordance with the following instructions (see the “Self-Repair” section).

Therefore, unless otherwise authorized in the “Self-Repair” section below, repairs shall be addressed to registered professional repairers in order to avoid safety issues. A registered professional repairer is a professional repairer that has been granted access to the instructions and spare parts list of this product by the manufacturer according to the methods described in legislative acts pursuant to Directive 2009/125/EC.

However, only the service agent (i.e. authorized professional repairers) that you can reach through the phone number given in the user manual/warranty card or through your authorized dealer may provide service under the guarantee terms. Therefore, please be advised that repairs by professional repairers (who are not authorized by Beko) shall void the guarantee.

Self-Repair

Self-repair can be done by the end-user with regard to the following spare parts: door handles, door hinges, trays, baskets and door gaskets (an updated list is also available in support.beko.com as of 1st March 2021).

Moreover, to ensure product safety and to prevent risk of serious injury, the mentioned self-repair shall be done following the instructions in the user manual for self-repair or which are available in support.beko.com. For your safety, unplug the product before attempting any self-repair.

Repair and repair attempts by end-users for parts not included in such list and/or not following the instructions in the user manuals for self-repair or which are available in support.beko.com, might give rise to safety issues not attributable to Beko, and will void the warranty of the product.

Therefore, it is highly recommended that end-users refrain from the attempt to carry out repairs falling outside the mentioned list of spare parts, contacting in such cases authorized professional repairers or registered professional repairers. On the contrary, such attempts by end-users may cause safety issues and damage the product and subsequently cause fire, flood, electrocution and serious personal injury to occur.

By way of example, but not limited to, the following repairs must be addressed to authorized professional repairers or registered professional repairers: compressor, cooling circuit, main board, inverter board, display board, etc.

The manufacturer/seller cannot be held liable in any case where end-users do not comply with the above.

The spare part availability of the refrigerator that you purchased is 10 years.

During this period, original spare parts will be available to operate the refrigerator properly

The minimum duration of guarantee of the refrigerator that you purchased is 24 months.

This product is equipped with a lighting source of the “G” energy class.

The lighting source in this product shall only be replaced by professional repairers

Packaging sorting information

Please scan the QR code which places on the outer packaging of the product to find all the information relating to the packaging and how to manage the packaging waste.

Veillez d'abord lire ce manuel d'utilisation !

Chère cliente, cher client,

Nous aimerions que vous soyez entièrement satisfait de notre appareil, fabriqué dans des infrastructures modernes et ayant fait l'objet d'un contrôle de qualité minutieux.

À cet effet, veuillez lire en intégralité le manuel d'utilisation avant d'utiliser cet appareil, et conservez-le pour références ultérieures. Si vous offrez cet appareil à une autre personne, remettez-lui également le manuel d'utilisation.

Le manuel d'utilisation garantit l'utilisation rapide et sécurisée du réfrigérateur.

- Veuillez lire le manuel d'utilisation avant d'installer et d'utiliser le réfrigérateur,
- Respectez toujours les instructions de sécurité en vigueur,
- Tenez le manuel d'utilisation à portée pour références ultérieures,
- Veuillez lire tous les autres documents fournis avec l'appareil,

Veillez noter que ce manuel d'utilisation peut se rapporter à plusieurs modèles de cet appareil. Le manuel indique clairement toutes les différences entre les modèles.

Symboles et commentaires

Les symboles suivants sont utilisés dans le manuel d'utilisation :

	Informations importantes et renseignements utiles,
	Avertissement relatif aux conditions dangereuses pour la vie et la propriété,
	Risque d'électrocution,
	L'emballage de l'appareil a été fabriqué à partir de matériaux recyclables, conformément à la législation nationale en matière d'environnement,

INFORMATIONS



SUPPLIER'S NAME

MODEL IDENTIFIER

(*)

A

A

Vous pouvez accéder aux informations relatives au modèle telles que sauvegardées dans la base de données des produits en entrant le site internet suivant et en recherchant l'identifiant de votre modèle (*) qui se trouve sur la vignette énergie

<https://eprel.ec.europa.eu/>

1 Consignes importantes relatives à la sécurité et à l'environnement 3

1.1. Sécurité générale	3
1.1.1 Mise en garde concernant les hydrocarbures	5
1.1.2 Pour les appareils avec distributeur d'eau/ machine à glaçons	6
1.2. Utilisation préconisée.	6
1.3. Sécurité des enfants	6
1.4. Conformité avec la directive DEEE et mise au rebut de l'appareil usagé :	7
1.5. Conformité avec la directive LdSD :	7
1.6. Informations relatives à l'emballage	7

2 Votre réfrigérateur 9

3 Installation 10

3.1. Lieu idéal d'installation	10
3.2. Fixation des cales en plastique.	10
3.3. Réglage des pieds.	10
3.4. Branchement électrique	11
3.5. Réversibilité des portes	12
3.6. Réversibilité des portes	13

4 Préparation 14

4.1. Moyens d'économiser l'énergie	14
4.2. Première utilisation	14

5 utilisation de l'appareil 15

5.1. Bouton de réglage de température.	15
5.2. Congélation rapide	15
5.4. Bouton de réglage du thermostat.	16
5.3. Fonction Vacances	16
5.5. Décongélation.	17
5.6. Bandeau indicateur	18
5.7. Bandeau indicateur	19
5.8. Ecran de contrôle	21
5.9. Seau à glace	27
5.10. Support d'œufs	27
5.11. Ventilateur	27
5.12. Bac à légumes	27
5.13. Compartiment zéro degré.	27

5.14. Éclairage bleu	27
5.15. Utilisation du deuxième bac à légumes de l'appareil;	28
5.16. Balconnet de porte amovible	29
5.17. Boîte de stockage coulissante	29
5.18. Bac à légumes à humidité contrôlée.	30
5.19. Module de désodorisation	30
5.20. Machine à glace automatique	31
5.21. Distributeur et récipient de conservation de glaçons	32
(dans certains modèles).	32
5.22. Distributeur d'eau	33
5.23. Utilisation du distributeur	33
5.24. Nettoyer le réservoir d'eau	34
5.25. Bac à eau	35
5.26. Congélation des produits frais.	36
5.27. Recommandations relatives à la conservation des aliments congelés	36
5.28. Informations relatives au congélateur	37
5.29. Disposition des denrées	37
5.30. Alerte ouverture de porte	37
5.31. Inversion de la direction d'ouverture de la porte	37
5.32. Éclairage interne	37
5.33. Lumière bleue/HarvestFresh.	38

6 Entretien et nettoyage 39






6.1. Prévention des mauvaises odeurs	39
6.2. Protection des surfaces en plastique.	40
6.3. Nettoyage de la surface intérieure	40
6.4. Surfaces extérieures en acier inoxydable	40
6.5. Nettoyage d'appareils avec portes en verre 40	

7 Dépannage 41

1 Consignes importantes relatives à la sécurité et à l'environnement

Cette section comporte des informations de sécurité qui vous aideront à éviter les risques de blessures ou de dommages matériels. Le non-respect de ces instructions entraîne l'annulation de la garantie des appareils.

Utilisation Préconisée

	AVERTISSEMENT: Assurez-vous que les trous d'aération ne sont pas fermés quand le dispositif est dans son boîtier ou est installé à sa place.
	AVERTISSEMENT: Ne pas utiliser tout dispositif mécanique ou un autre dispositif hors des recommandations du fabricant pour accélérer le processus de décongeler.
	AVERTISSEMENT: Ne pas endommager le circuit de fluide du réfrigérateur.
	AVERTISSEMENT: Ne pas utiliser des appareils électriques non prévus par le fabricant dans les compartiments de conservation des aliments.
	AVERTISSEMENT: Ne conservez pas de substances explosives comme des aérosols avec un liquide inflammable dans cet appareil.

Ce dispositif est conçu pour l'usage domestique ou les applications similaires suivantes :

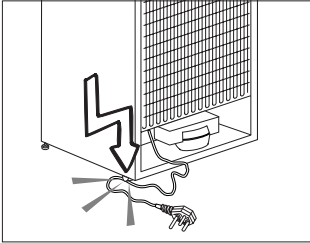
- Pour être utilisé dans la cuisine de personnel dans les magasins, bureaux et autres environnements de travail ;
- Pour être utilisé par les clients dans les maisons de campagne et hôtels et les autres environnements d'hébergement ;
- Dans des environnements de type de pension de famille
- Dans des applications similaires n'ayant pas de service alimentaire et non détaillants

1.1. Sécurité générale

- Les personnes présentant un handicap physique, sensoriel ou mental ou encore celles manquant d'expérience ou de connaissances appropriées, ou les enfants doivent éviter d'utiliser, de se rapprocher, de jouer ou de rentrer à l'intérieur de ce produit.
- L'utilisation non contrôlée et le non-respect des consignes énoncées ci-dessus constituent un réel danger !
- Débranchez l'appareil si une panne survient alors qu'il est en cours d'utilisation.
- En cas de dysfonctionnement, n'utilisez pas l'appareil jusqu'à ce qu'il soit réparé par un agent de service agréé. Risque de choc électrique !
- Branchez l'appareil à une prise mise à la terre, protégée par un fusible conforme aux valeurs figurant sur la plaque signalétique. Faites appel à un électricien qualifié pour la mise à la terre de l'appareil. Notre société ne peut pas être tenue pour responsable des dommages résultant de la non utilisation du produit avec une prise mise à la terre conformément aux réglementations locales.
- Débranchez l'appareil lorsque vous ne l'utilisez pas.

Instructions en matière de sécurité et d'environnement

- N'aspergez pas l'appareil et n'y versez pas de l'eau lorsque vous le lavez! Risque de choc électrique !
- Ne touchez jamais la prise avec des mains mouillées !
- Ne débranchez jamais l'appareil en tirant sur le câble. Débranchez-le toujours en le tenant par la fiche.



- Évitez de brancher le réfrigérateur lorsque la prise de courant est mal fixée.
- Ne branchez jamais votre réfrigérateur à des systèmes d'économies d'énergie. Ces systèmes présentent des risques pour votre appareil.
- Débranchez l'appareil pendant les procédures d'installation, d'entretien, du nettoyage et de réparation.
- Contactez toujours un **Agent de service agréé** pour l'installation de l'appareil et la réalisation des branchements électriques. Le fabricant décline toute responsabilité pour les dommages causés par la réalisation de ces procédures par des personnes non autorisées.
- Ne mangez pas de cônes de crème glacée ou des glaçons immédiatement après les avoir sortis du compartiment de congélation ! Cela pourrait provoquer des engelures dans votre bouche !

- Ne touchez pas les aliments congelés avec les mains mouillées ! Ils peuvent coller à vos mains !
- Ne posez pas de boissons en bouteilles ou en cannettes dans le congélateur. Elles risquent d'exploser !
- N'utilisez jamais de vapeur ni de matériel de nettoyage à vapeur pour nettoyer ou décongeler le réfrigérateur. Tout contact entre la vapeur et les éléments sous tension de votre réfrigérateur peut entraîner un court-circuit ou un choc électrique !
- Pour accélérer le processus de décongélation, n'utilisez pas d'outils mécaniques ou de dispositifs autres que ceux recommandés par le fabricant.
- N'utilisez jamais les pièces de votre réfrigérateur telles que la porte et le tiroir, comme un support ou une marche. Une telle utilisation de l'appareil peut l'emmener à balancer ou endommager ses parties.
- Évitez d'endommager les pièces où circule le liquide réfrigérant avec des outils de perforation ou de coupe. Le liquide réfrigérant qui pourrait s'échapper si les canalisations de gaz de l'évaporateur, les rallonges de tuyau ou les revêtements de surface étaient percés, peut irriter la peau et provoquer des blessures aux yeux.
- Ne laissez aucun objet couvrir ou obstruer les orifices de ventilation du réfrigérateur.
- Placez les boissons alcoolisées verticalement, dans des récipients convenablement fermés.

Instructions en matière de sécurité et d'environnement

- N'utilisez pas de pulvérisateur à gaz à proximité de l'appareil car cela pourrait causer un incendie ou une explosion !
- Les articles inflammables ou les produits contenant des gaz inflammables (par ex. : aérosols) ainsi que les matériaux explosifs ne doivent jamais être conservés dans l'appareil.
- Ne placez pas de récipient contenant de liquides au-dessus de l'appareil. Les projections d'eau sur les pièces électriques peuvent causer un choc électrique ou un risque d'incendie.
- Évitez de ranger les éléments qui nécessitent un réglage précis de la température (tels que les vaccins, les médicaments sensibles à la chaleur, les outils scientifiques, etc.) dans le réfrigérateur.
- Si vous n'allez pas utiliser l'appareil pendant une longue période, débranchez-le et retirez tous les aliments l'intérieur.
- Si le réfrigérateur émet une lumière bleue, ne la regardez pas en utilisant des outils optiques.
- L'exposition du produit à la pluie, la neige, le soleil ou le vent présente des risques en matière de sécurité électrique.
- Avec des appareils équipés de commandes mécaniques (thermostat), patientez 5 minutes avant de rebrancher l'appareil après l'avoir débranché.
- Ne surchargez pas le réfrigérateur. Les objets dans le réfrigérateur peuvent tomber lorsque vous ouvrez la porte, causant des blessures et des dommages. Des problèmes similaires peuvent survenir si vous placez des objets au-dessus de l'appareil.
- Si l'appareil possède une poignée de porte, ne tirez pas dessus pour déplacer l'appareil. La poignée peut se desserrer.
- Soyez prudent pour ne pas coincer vos doigts ou toute autre partie de votre corps dans les pièces mobiles du réfrigérateur.
- Ne placez pas vos doigts ou tout autre corps étranger dans la machine à glace lorsqu'elle est en marche.



1.1.1 Mise en garde concernant les hydrocarbures

- Si le système de refroidissement de votre appareil contient du R600a : Ce gaz est inflammable. Par conséquent, veillez à ne pas endommager le système de refroidissement ou la tuyauterie pendant l'utilisation et le transport. En cas de dommage, tenez l'appareil à l'écart de potentielles sources de feu, susceptibles de l'enflammer et aérez la pièce dans laquelle est installé l'appareil.



Si l'appareil est endommagé et vous voyez une fuite de gaz, tenez-vous à l'écart du gaz. Au contact de la peau, il peut entraîner des engelures. (notamment le R134)

Instructions en matière de sécurité et d'environnement

	Ignorez cet avertissement si le système de refroidissement de votre appareil contient du R134a.
	Le type de gaz utilisé dans l'appareil est mentionné sur la plaque signalétique située sur la paroi gauche à l'intérieur du réfrigérateur.
	AVERTISSEMENT : Ne jetez jamais l'appareil dans du feu pour sa mise au rebut.

1.1.2 Pour les appareils avec distributeur d'eau/machine à glaçons

- La pression de l'eau froide à l'entrée ne doit pas excéder 90 psi (620 kPa). Si votre pression d'eau dépasse 80 psi (550 kPa), utilisez une soupape de limitation de pression sur votre réseau de conduite. Si vous ne savez pas comment vérifiez la pression de l'eau, demandez l'assistance d'un plombier professionnel.
- En cas de risque d'impact causé par d'eau dans votre installation, utilisez toujours un dispositif de protection anti coup de bélier. Contactez un plombier professionnel si vous n'êtes pas certain(e) que votre installation présente un risque d'effet coup de bélier.
- Ne procédez pas à l'installation de l'arrivée d'eau chaude.
- Prenez les mesures nécessaires contre le risque de gel des tuyaux.
- Utilisez uniquement de l'eau potable.

- La plage de température de fonctionnement est de 0.6 °C (33 °F) au minimum et 38 °C (100 °F) au maximum.

	AVERTISSEMENT : Ne branchez jamais l'appareil à un réseau d'eau froide, lorsque la pression est supérieure ou égale à 550kPa (80 psi).
---	--

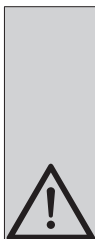
1.2. Utilisation préconisée

- Cet appareil est destiné à un usage ménager. Il n'est pas indiqué pour une utilisation à des fins commerciales et ne doit pas être utilisé à des fins autres que celles prévues.
- Il ne doit être utilisé que pour conserver des aliments.
- Le fabricant n'assume aucune responsabilité pour les dommages résultant de l'utilisation et du transport inappropriés.
- Les pièces de rechange d'origine seront disponibles jusqu'à 10 ans après la date d'achat de l'appareil.

1.3. Sécurité des enfants

- En cas de verrou sur la porte de l'appareil, gardez la clé hors de la portée des enfants.
- Ne laissez pas les enfants jouer avec l'appareil.

Instructions en matière de sécurité et d'environnement



DANGER :

Avant de mettre au rebut votre ancien réfrigérateur ou congélateur :

- Les enfants peuvent s'y enfermer.
- Retirez les portes.
- Laissez les étagères pour éviter que les enfants accèdent facilement à l'intérieur de l'appareil.

1.4. Conformité avec la directive DEEE et mise au rebut de l'appareil usagé :



Ce produit est conforme à la directive européenne concernant les appareils électriques et électroniques (2012/19 UE). Il porte un symbole de classification pour la mise au rebut des équipements électriques et

électroniques (DEEE). Cet appareil a été fabriqué avec des pièces et du matériel de qualité supérieure susceptibles d'être réutilisés et adaptés au recyclage. Par conséquent, évitez de mettre l'appareil au rebut aux côtés des ordures ménagères à la fin de sa durée de vie. Transportez-le vers un point de collecte destiné au recyclage des équipements électriques et électroniques. Consultez les autorités de votre localité pour plus d'informations sur ces points de collecte.

1.5. Conformité avec la directive LdSD :

L'appareil que vous avez acheté est conforme à la Directive LdSD de L'Union européenne (2011/65/UE). Il ne comporte pas les matières dangereuses et interdites mentionnées dans la Directive.

1.6. Informations relatives à l'emballage

- Les matériaux d'emballage de cet appareil sont fabriqués à partir de matériaux recyclables, conformément à notre réglementation nationale en matière d'environnement. Ne jetez pas les matériaux d'emballage avec les ordures ménagères normales ou d'autres types de déchets. Transportez ces matériaux vers un point de collecte prévu par les autorités locales.

Instructions en matière de sécurité et d'environnement

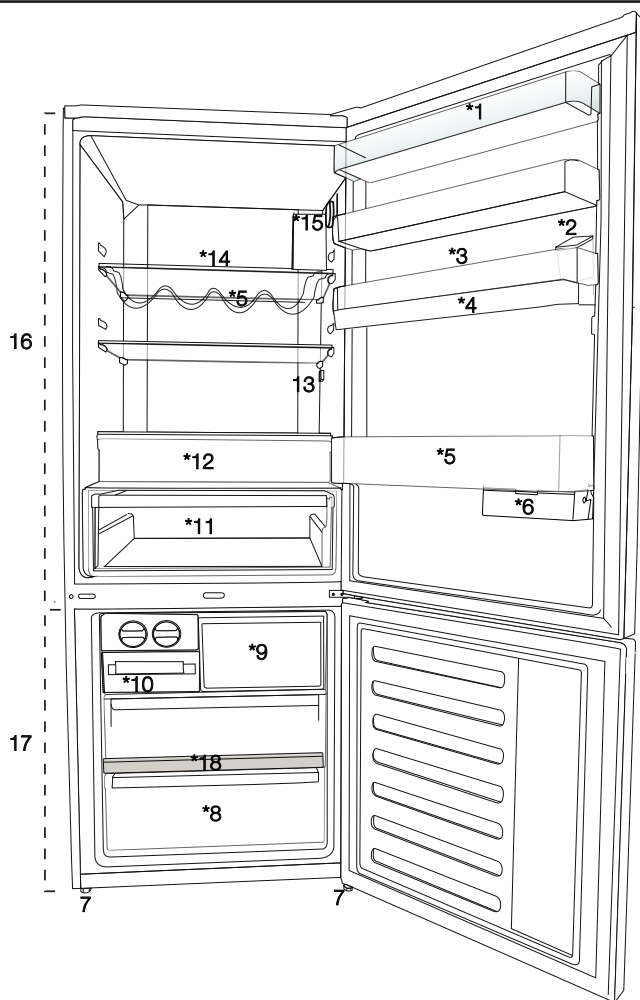


DANGER :

Risque d'incendie ou d'explosion :

- Cet appareil utilise un réfrigérant inflammable.
- N'utilisez pas d'objets mécaniques pour dégivrer le réfrigérateur.
- N'utilisez pas de produits chimiques pour le nettoyage.
- Évitez de percer le conduit du réfrigérant.
- Si le conduit du réfrigérant est percé, faites-le uniquement réparer par un agent de service agréé.
- Veuillez consulter le Manuel d'utilisation/de réparation avant de nettoyer l'appareil. Veuillez respecter toutes les précautions de sécurité.
- Éliminez votre appareil dans le respect de la réglementation fédérale ou locale.

2 Votre réfrigérateur



1. Balconnet de la porte du compartiment réfrigérateur
2. Opercule du réservoir d'eau
3. Réservoir du distributeur d'eau
4. Bac à Oeufs
5. Clayette range-bouteilles
6. Boîte de stockage coulissante
7. Pieds réglables
8. Compartiment congélation rapide
9. Compartiment de congélation rapide
10. Bac à glaçons et banque de glace
11. Bac à légumes
12. Compartiment zéro degré
13. Éclairage intérieur
14. Balconnet de la vitre du compartiment réfrigérateur
15. Bouton de réglage de température
16. Compartiment réfrigérateur
17. Compartiment congélateur



***En option :** Les images présentées dans ce manuel sont fournies à titre indicatif et elles peuvent ne pas correspondre exactement à votre appareil. Si votre appareil ne dispose pas des parties citées, alors l'information s'applique à d'autres modèles.

3.1. Lieu idéal d'installation

Contactez le service agréé pour l'installation de votre réfrigérateur. Pour préparer l'installation du réfrigérateur, lisez attentivement les instructions du manuel d'utilisation et assurez-vous que les équipements électriques et d'approvisionnement d'eau sont installés convenablement. Si non, contactez un électricien et un plombier pour effectuer les réparations nécessaires.



AVERTISSEMENT : Le fabricant ne sera pas tenu responsable en cas de problèmes causés par des travaux effectués par des personnes non autorisées.



AVERTISSEMENT : Débranchez le câble d'alimentation du réfrigérateur pendant l'installation. Le non-respect de cette consigne peut entraîner la mort ou des blessures graves !



AVERTISSEMENT : Si le cadre de la porte est trop étroit pour laisser passer l'appareil, retirez la porte et faites passer l'appareil sur les côtés ; si cela ne fonctionne pas, contactez le service agréé.

- Placez l'appareil sur une surface plane pour éviter les vibrations.
- Placez le produit à 30 cm du chauffage, de la cuisinière et des autres sources de chaleur similaires et à au moins 5 cm des fours électriques.
- N'exposez pas le produit directement à lumière du soleil et ne le laissez pas dans des environnements humides.
- Le bon fonctionnement de votre réfrigérateur nécessite la bonne circulation de l'air.
- Si le réfrigérateur est placé dans un encastrement mural, assurez-vous de laisser un espace d'au moins 5 cm avec le plafond et le mur.
- Ne placez pas le réfrigérateur dans des environnements avec des températures inférieures à -5 °C.

- Votre produit nécessite une circulation d'air adéquate pour pouvoir fonctionner efficacement. S'il est placé dans une alcôve, n'oubliez pas de laisser un espace d'au moins 5 cm entre l'appareil, le plafond, la paroi arrière et les parois latérales.
- S'il est placé dans une alcôve, n'oubliez pas de laisser un espace d'au moins 5 cm entre l'appareil, le plafond, la paroi arrière et les parois latérales. Vérifiez que l'élément de protection d'espace de la façade arrière est présent à son emplacement (au cas où il est fourni avec l'appareil). Si l'élément n'est pas disponible, perdu ou tombé, positionnez l'appareil de manière à laisser un espace d'au moins 5 cm entre la surface arrière de l'appareil et les murs de la pièce. L'espace prévu à l'arrière est important pour le fonctionnement efficace de l'appareil.

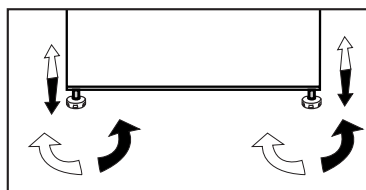
3.2. Fixation des cales en plastique

Utilisez les cales en plastiques fournies avec le réfrigérateur pour créer une circulation d'air suffisante entre le réfrigérateur et le mur.

1. Pour fixer les cales, retirez les vis du réfrigérateur et utilisez celles fournies avec les cales,
2. Fixez 2 cales en plastique sur le couvercle de ventilation tel qu'illustré par l'image.

3.3. Réglage des pieds

Si le réfrigérateur n'est pas équilibré, réglez les pieds avant en les tournant vers la gauche ou la droite.



Installation

3.4. Branchement électrique

	AVERTISSEMENT : Ne branchez pas le réfrigérateur sur une rallonge ou une multiprise.
	AVERTISSEMENT : Les câbles d'alimentation endommagés doivent être remplacés par le service agréé.
	Lorsque deux réfrigérateurs sont installés côte à côte, ils doivent être séparés par au moins 4 cm.

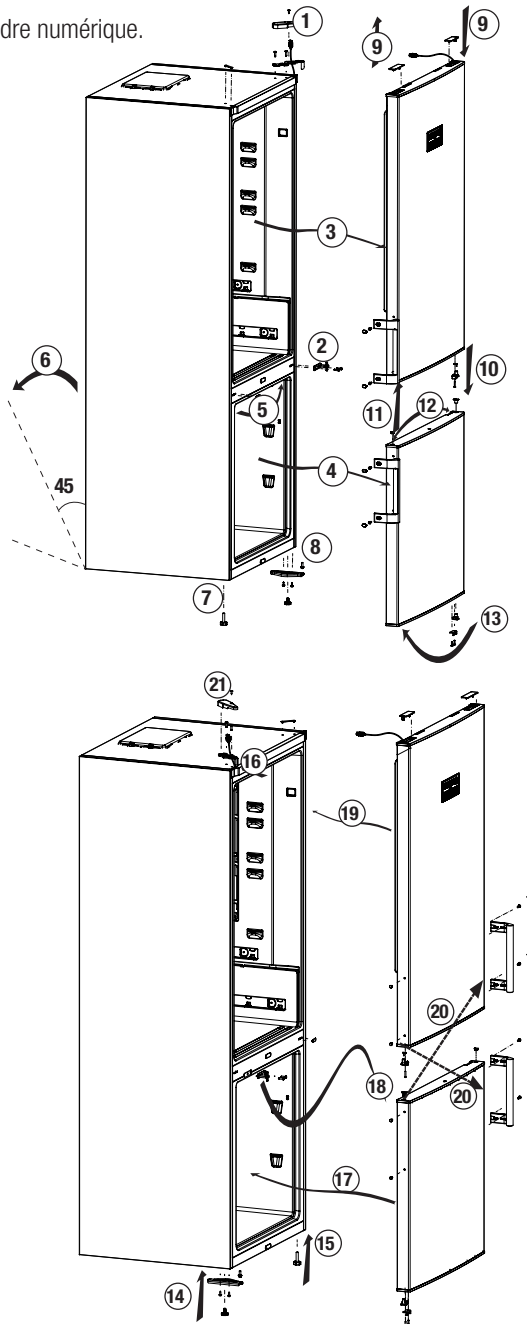
- Notre entreprise ne sera pas tenue responsable de tout dommage résultant de l'utilisation de l'appareil sans prise de mise à la terre ou branchement électrique conforme à la norme nationale en vigueur.
- Gardez la fiche du câble d'alimentation à portée de main après l'installation.
- N'utilisez pas de fiches multiples avec ou sans câble d'extension entre la prise murale et le réfrigérateur.

	AVERTISSEMENT :Relatif à la surface chaude Les parois latérales de votre appareil sont équipées de conduits frigorifiques visant à améliorer le système de refroidissement. Le réfrigérant porté à des températures élevées peut jaillir à travers ces zones, entraînant ainsi le réchauffement des parois latérales. Ce phénomène est normal et ne nécessite aucun entretien. Soyez prudent au moment de toucher à ces zones.
--	--

Installation

3.5. Réversibilité des portes

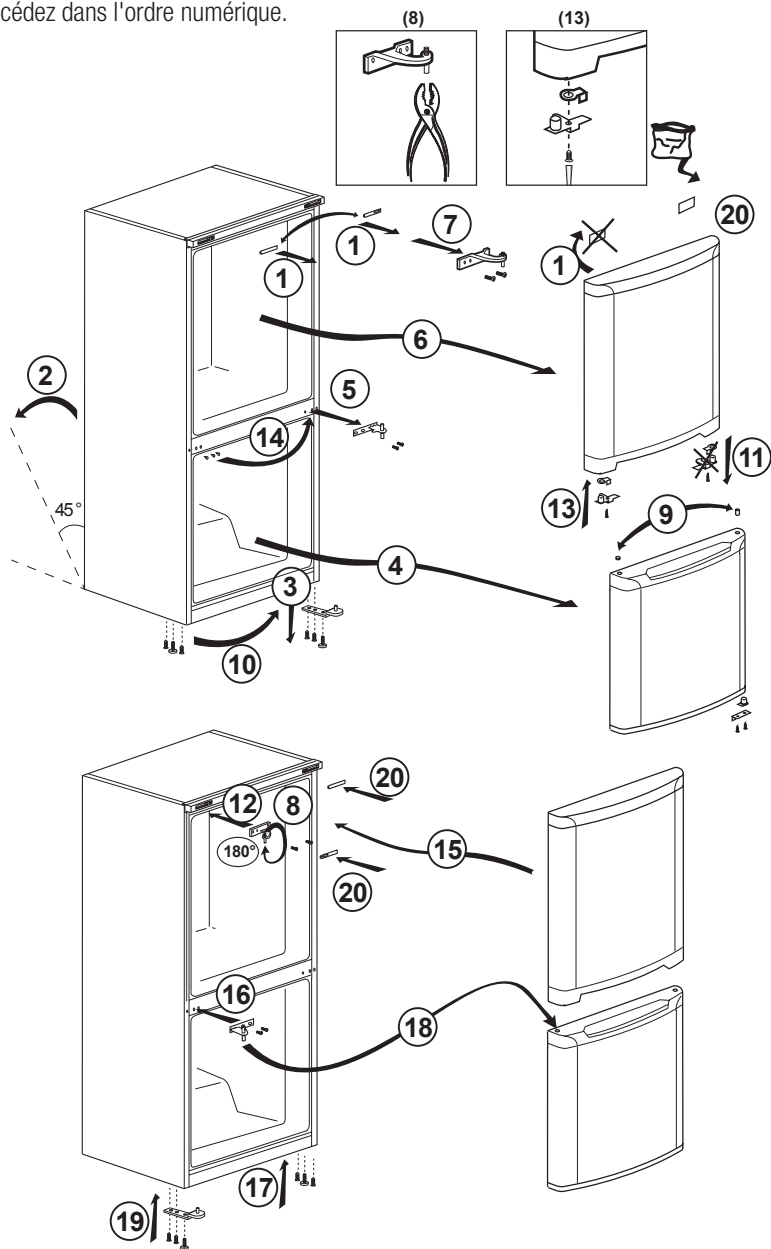
Procédez dans l'ordre numérique.



Installation

3.6. Réversibilité des portes

Procédez dans l'ordre numérique.

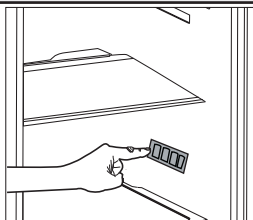


4.1. Moyens d'économiser l'énergie



Il est dangereux de connecter l'appareil aux systèmes électroniques d'économie d'énergie, ils pourraient l'endommager.

- Pour un appareil amovible, 'cet appareil de réfrigération n'est pas conçu pour être utilisé comme un appareil à encastrer'.
- Ne laissez pas la porte du réfrigérateur ouverte longtemps.
- Ne conservez pas des aliments ou des boissons chauds dans le réfrigérateur.
- Ne surchargez pas le réfrigérateur, l'obstruction du flux d'air interne réduira la capacité de réfrigération.
- Pour stocker une quantité maximale d'aliments dans le compartiment réfrigérateur, retirez les tiroirs supérieurs et placez-les sur l'étagère pour verres. La consommation énergétique définie de votre réfrigérateur est déterminée lorsque vous retirez le refroidisseur, le bac à glaçons et les tiroirs supérieurs d'une manière qui permettra un chargement maximal. Il est fortement recommandé d'utiliser le tiroir inférieur lors du chargement. Activez la fonction Économie d'énergie pour une meilleure consommation énergétique.
- Évitez de bloquer le flux d'air en plaçant les aliments devant le ventilateur du refroidisseur. Laissez un espace de 3 cm devant la grille de protection du ventilateur lors du chargement des aliments.
- Selon les caractéristiques de l'appareil, le dégivrage des aliments congelés dans le compartiment réfrigérateur assurera l'économie d'énergie et la préservation de la qualité des aliments.
- Placez les aliments dans les étagères à l'intérieur du compartiment réfrigérateur afin de réaliser des économies d'énergie et de conserver les aliments dans un meilleur environnement.
- Veillez à ce que les emballages d'aliments ne soient pas en contact direct avec le capteur de chaleur situé dans le compartiment réfrigérateur. Dans le cas contraire, la consommation énergétique de votre appareil pourrait augmenter.



- Veuillez-vous assurer que les aliments ne sont pas en contact direct avec le capteur de température du compartiment réfrigérateur décrit ci-après.
- Comme l'air chaud et humide ne pénètre pas directement dans votre produit lorsque les portes ne sont pas ouvertes, votre produit optimisera son fonctionnement en fonction des conditions pour protéger vos aliments. Les fonctions et les composants tels que le compresseur, le ventilateur, le chauffage, le dégivrage, l'éclairage, l'affichage, etc. fonctionneront en fonction des besoins pour consommer un minimum d'énergie dans de telles circonstances.

4.2. Première utilisation

Avant d'utiliser votre réfrigérateur, assurez-vous que les installations nécessaires sont conformes aux instructions des sections « Instructions en matière de sécurité et d'environnement » et « Installation ».

- Laissez l'appareil vide en marche pendant 6 heures, et ne l'ouvrez pas sauf en cas de nécessité absolue.



Un son retentit à l'activation du compresseur. Il est également normal d'entendre ce son lorsque le compresseur est inactif, en raison des liquides et des gaz comprimés présents dans le système de réfrigération.



Les bords avant du réfrigérateur peuvent chauffer. Ce phénomène est normal. Ces parties doivent en principe être chaudes afin d'éviter la condensation.



Dans certains modèles, le panneau indicateur se met automatiquement en veilleuse 5 minutes après la fermeture de la porte. Ce panneau s'active à nouveau lorsque la porte est ouverte ou lorsqu'on appuie sur un bouton.

5 Utilisation de l'appareil

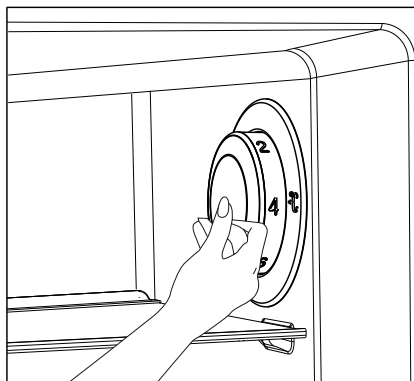
5.1. Bouton de réglage de température

La température interne de votre réfrigérateur varie selon les raisons suivantes :

- Températures saisonnières,
- les portes sont ouvertes fréquemment et restent longtemps ouvertes,
- les aliments sont introduits dans le réfrigérateur sans réduction de la température à la température ambiante,
- l'emplacement du réfrigérateur dans la pièce (par ex. exposition à la lumière directe du soleil).
- La variation de la température interne en raison de ces facteurs peut être réglée via le bouton de réglage de la température.

Les chiffres autour du bouton de réglage indiquent les degrés de température comme « °C ».

Si la température ambiante est de 20 °C, il est recommandé de régler la température du réfrigérateur à 4 °C. Sous d'autres températures ambiantes, cette valeur peut être personnalisée.

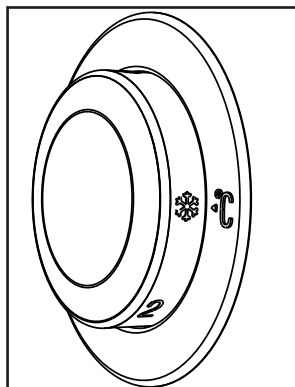


5.2. Congélation rapide

Si vous souhaitez congeler de grandes quantités d'aliments frais, placez le bouton de réglage de la température sur la position (❄️) avant d'introduire les aliments dans le compartiment de congélation rapide.

Nous vous recommandons de laisser le bouton à cette position pendant au moins 24 heures pour congeler une quantité maximale d'aliments correspondant à la capacité de congélation stipulée. Veillez surtout à ne pas mélanger les aliments congelés et les aliments frais.

Assurez-vous de placer le bouton de réglage de température à sa position initiale.



Utilisation de l'appareil

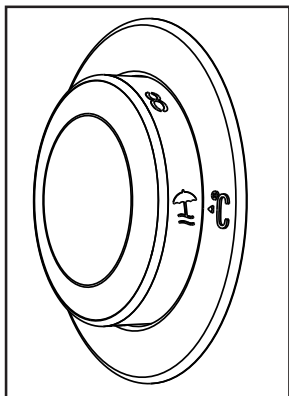
5.3. Fonction Vacances

Si les portes de votre réfrigérateur ne sont pas

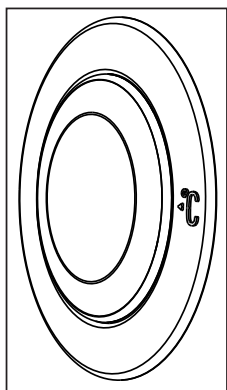
(🔒) ouvertes pendant au moins 12 heures après l'ajustement du bouton de réglage de la température à la position la plus élevée, la fonction Vacances est automatiquement activée.

Les paramètres du bouton peuvent être modifiés afin d'annuler cette fonction.

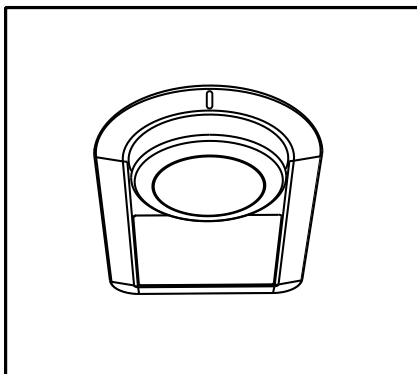
Il n'est pas recommandé de conserver les aliments dans le compartiment réfrigérateur lorsque cette fonction est activée.



- Une fois le réglage terminé, vous pouvez dissimuler le bouton de réglage de la température en l'appuyant à l'intérieur.



5.4. Bouton de réglage du thermostat



La température de fonctionnement est réglée à l'aide de la commande de température.



1 = Réglage de réfrigération le plus faible (Réglage le plus chaud).

4 = Réglage de réfrigération le plus fort (Réglage le plus froid).

La température médiane à l'intérieur du réfrigérateur doit être proche de +5 °C. Veuillez choisir le réglage en fonction de la température désirée.

Vous remarquerez qu'il y a plusieurs températures différentes dans la zone de réfrigération.

La zone la plus froide est située directement au-dessous du bac à légumes.

La température intérieure est également fonction de la température ambiante, la fréquence d'ouverture de la porte et la quantité de denrées stockées à l'intérieur.

Si la porte est ouverte fréquemment, la température intérieure monte.

Pour cette raison, il est recommandé de refermer la porte aussitôt que possible après utilisation.

Utilisation de l'appareil

La température intérieure de votre réfrigérateur change pour les raisons suivantes:

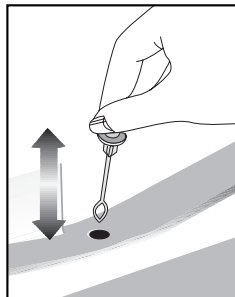
Températures saisonnières,

Ouverture fréquente de la porte et porte laissée ouverte pendant de longues périodes,

Denrées introduites dans le réfrigérateur sans réduction à la température ambiante.

Emplacement du réfrigérateur dans la pièce (par ex. exposition à la lumière directe du soleil)

Vous pouvez régler les différentes températures intérieures dues à de telles raisons en utilisant le thermostat. Les numéros entourant le bouton du thermostat indiquent le niveau de refroidissement.



5.5. Décongélation

Compartiment réfrigérateur

Le compartiment réfrigérateur se dégivre automatiquement. De l'eau s'écoule et une couche de givre pouvant atteindre 7-8 mm peut se former sur la paroi arrière interne du compartiment du réfrigérateur pendant le processus de refroidissement. Cette formation est normale, provoquée par le système de refroidissement. La formation de givre peut être supprimée par le dégivrage automatique qui s'active régulièrement grâce au système de dégivrage de la paroi arrière. L'utilisateur n'a pas besoin d'éliminer le givre ou les gouttes d'eau manuellement.

L'eau générée par le dégivrage s'écoule dans la rainure de collecte de l'eau et passe dans l'évaporateur par le tuyau de vidange où elle s'évapore.

Le compartiment du surgélateur ne réalise pas de dégivrage automatique pour empêcher la détérioration des denrées congelées.

Le compartiment congélateur se dégivre automatiquement.

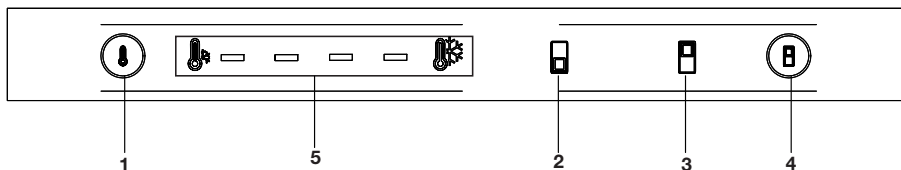
Vérifiez régulièrement le tuyau de vidange pour vous assurer qu'il n'est pas obstrué et débouchez-le en introduisant un bâton dans le trou si nécessaire.

Utilisation de l'appareil

5.6. Bandeau indicateur

Les bandeaux indicateur peuvent varier en fonction du modèle de l'appareil.

Les fonctions sonores et visuelles sur le panneau indicateur vous aident dans l'utilisation de votre réfrigérateur.



- 1.** Bouton de modification de la valeur de réfrigération : Il est utilisé pour ajuster la valeur de réfrigération des compartiments du réfrigérateur et du congélateur. Si vous appuyez sur cette touche alors que le voyant du compartiment congélateur (2) est allumé, la réfrigération du compartiment congélateur changera. Si vous appuyez sur cette touche alors que le voyant du compartiment réfrigérateur (3) est allumé, la réfrigération du compartiment réfrigérateur changera.
- 2.** Indicateur du compartiment congélateur
Lorsque cet indicateur est allumé, la valeur de réfrigération actuelle du congélateur s'affiche sur l'indicateur de valeur de température (5). Vous pouvez appuyer sur la touche de modification de la valeur de réfrigération (1) pour modifier la valeur de réfrigération du compartiment congélateur.
- 3.** Indicateur du compartiment réfrigérateur :
Lorsque cet indicateur est allumé, la valeur de réfrigération actuelle du réfrigérateur s'affiche sur l'indicateur de valeur de température (5). Vous pouvez appuyer sur la touche de modification de la valeur de réfrigération (1) pour modifier la valeur de réfrigération du compartiment réfrigérateur.
- 4.** Bouton de sélection de compartiments : Il est utilisé pour sélectionner les compartiments réfrigérateur et congélateur.
- 5.** Indicateur de réfrigération : Affiche la valeur de réfrigération du compartiment sélectionné. Valeur de réfrigération augmentée de gauche à droite.



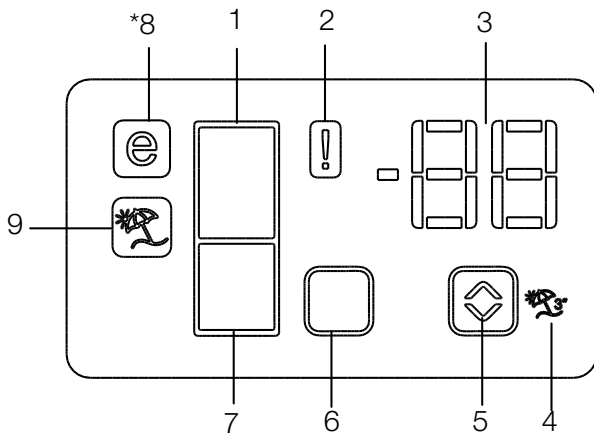
***en option :** Les chiffres présentés dans ce guide sont à titre indicatif et peuvent ne pas correspondre à votre appareil. Si votre appareil ne dispose pas des parties citées, alors l'information s'applique à d'autres modèles.

Utilisation de l'appareil

5.7. Bandeau indicateur

Les bandeaux indicateur peuvent varier en fonction du modèle de l'appareil.

Les fonctions sonores et visuelles sur le panneau indicateur vous aident dans l'utilisation de votre réfrigérateur.



1. Indicateur du compartiment réfrigérateur
2. Indicateur d'état de dysfonctionnement
3. Indicateur de température
4. Bouton de la fonction Vacances
5. Bouton de réglage de la température
6. Bouton de sélection du compartiment
7. Indicateur du compartiment congélateur
8. Indicateur mode Économie
9. Indicateur de Fonction Vacances

***en option**



***en option :** Les chiffres présentés dans ce guide sont à titre indicatif et peuvent ne pas correspondre à votre appareil. Si votre appareil ne dispose pas des parties citées, alors l'information s'applique à d'autres modèles.

Utilisation de l'appareil

1. Indicateur du compartiment réfrigérateur

La lampe du compartiment réfrigérateur s'allume lorsque la température de ce compartiment est réglée.

2. Indicateur d'état de dysfonctionnement

Si la capacité de votre réfrigérateur à refroidir est insuffisante ou en cas de dysfonctionnement du capteur, cet indicateur est activé. Lorsque cet indicateur est activé, "E" s'affiche sur l'indicateur de température du compartiment congélateur, et les nombres tels que "1,2,3..." s'affichent sur l'indicateur de température du compartiment réfrigérateur. Ces numéros sur l'indicateur renseignent le personnel d'entretien sur le dysfonctionnement.

3. Indicateur de température

Indique la température du compartiment congélateur, réfrigérateur.

4. Bouton de la fonction Vacances

Appuyez sur le bouton Vacances pendant 3 secondes pour activer cette fonction.

Si la fonction Vacances est activée, "- -" s'affiche sur l'indicateur de température du compartiment réfrigérateur et aucun refroidissement actif n'est sélectionné sur le compartiment réfrigérateur. Il n'est pas adapté de conserver les denrées dans le compartiment réfrigérateur lorsque cette fonction est activée. D'autres compartiments continuent à se refroidir conformément à leur température réglée.

Pour annuler cette fonction, appuyez à nouveau sur le bouton **Vacances**.

5. Bouton de réglage de la température

Modifie la température du compartiment concerné entre - 24 °C, -18 °C et 8 °C.1 °C.

6. Bouton de sélection du compartiment

Bouton de sélection : Appuyez sur le bouton de sélection du compartiment pour basculer entre les compartiments réfrigérateur et congélateur.

7. Indicateur du compartiment congélateur

La lampe du compartiment congélateur s'allume lorsque la température du compartiment congélateur est réglée.

8. Indicateur mode Économie

Indique que le réfrigérateur fonctionne en mode d'économie d'énergie. Cet écran sera actif si la température du compartiment congélateur est réglée sur -18°C.

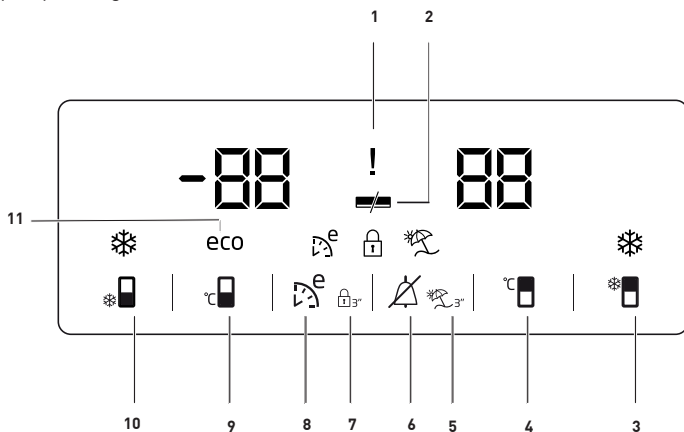
9. Indicateur de Fonction Vacances

Indique que la fonction Vacances est activée.

Utilisation de l'appareil

5.8. Ecran de contrôle

L'écran de contrôle indicateur vous permet de régler la température et de contrôler les autres fonctions liées au produit sans ouvrir la porte du produit. Appuyez simplement les inscriptions sur le bouton approprié pour régler des fonctions.



1. Panne de courant / Température élevée / Indicateur d'état d'erreur

Cet indicateur (!) s'allume en cas de panne de courant, de température élevée et d'avertissements d'erreur.

Lorsque la température du compartiment congélateur est portée à un niveau critique pour les aliments congelés, la valeur maximale atteinte par la température du compartiment congélateur clignote sur l'indicateur numérique. Vérifiez les aliments dans le compartiment du congélateur.

Ce n'est pas un dysfonctionnement.

L'avertissement peut être supprimé en appuyant sur n'importe quel bouton ou sur le bouton d'arrêt de l'alarme de température élevée. (L'annulation par pression sur n'importe quel bouton n'est pas applicable à tous les modèles.)

Cet indicateur (⚡) s'est également allumé en cas de défaillance d'un capteur. Lorsque cet indicateur est allumé, «E» et des chiffres tels que «1,2,3...» sont affichés alternativement sur l'indicateur de température. Ces chiffres sur l'indicateur informent le personnel de service de l'erreur.

2. Fonction Économie d'énergie (Arrêt de l'affichage) :

Si les portes de l'appareil restent fermées pendant longtemps, la fonction Économie d'énergie s'active automatiquement et le symbole d'Économie d'énergie s'allume. (🔋)

Si la fonction Économie d'énergie est active, tous les symboles de l'écran hormis celui de l'Économie d'énergie s'éteindront. Lorsque la Fonction Économie d'énergie est active, si vous appuyez sur un bouton quelconque ou




***en option :** Les chiffres présentés dans ce guide sont à titre indicatif et peuvent ne pas correspondre à votre appareil. Si votre appareil ne dispose pas des parties citées, alors l'information s'applique à d'autres modèles.





Utilisation de l'appareil

ouvrez la porte, cette fonction sera désactivée et les symboles qui se trouvent à l'écran redeviendront normaux.


La fonction Économie d'énergie est activée à la sortie de l'appareil de l'usine et ne peut être annulée.

3. Fonction de réfrigération rapide



Ce bouton est doté de deux fonctions. Appuyez brièvement sur ce bouton pour activer ou désactiver la fonction de refroidissement rapide. L'indicateur de refroidissement rapide s'éteint et l'appareil retourne à son réglage normal. 

	Utilisez la fonction de refroidissement rapide lorsque vous souhaitez refroidir rapidement les aliments placés dans le compartiment réfrigérateur. Si vous souhaitez refroidir de grandes quantités d'aliments frais, nous vous recommandons d'activer cette fonction au préalable.
	Après 1 heure de temps ou lorsque le compartiment réfrigérateur atteint la température souhaitée, la fonction de refroidissement rapide s'annulera automatiquement si vous ne le faites pas.
	Si vous appuyez sur le bouton de refroidissement rapide de façon répétée à des intervalles courts, alors le système de protection du circuit électronique s'activera et le compresseur ne démarrera pas automatiquement.
	Cette fonction n'est pas reprise lorsque le courant est rétabli après une panne de courant.

4. Bouton de réglage de la température du compartiment réfrigérateur

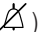
Appuyez sur ce bouton pour régler la température du compartiment réfrigérateur à 8, 7, 6, 5, 4, 3, 2, 1, 8... respectivement. Appuyez sur ce bouton pour définir la température souhaitée pour le compartiment du réfrigérateur. 

5. Fonction Vacances

Pour activer la fonction Vacances, appuyez sur ce bouton () pendant 3 secondes. Le voyant du mode Vacances () s'allume. Si la fonction Vacances est activée, "- -" s'affiche sur l'indicateur de température du compartiment réfrigérateur et aucun refroidissement actif n'est sélectionné sur le compartiment réfrigérateur. Il n'est pas adapté de conserver les denrées dans le compartiment réfrigérateur lorsque cette fonction est activée. D'autres compartiments doivent continuer à se refroidir conformément à leur température réglée.

Pour annuler cette fonction, appuyez à nouveau sur le bouton de **la fonction Vacances** .

6. Fin de l'Avertissement de Température élevée

En cas de panne de courant ou d'avertissement de température élevée, vous pouvez supprimer l'avertissement () en appuyant sur n'importe quel bouton de l'indicateur ou sur le bouton d'arrêt de l'alarme de température élevée pendant 1 seconde après avoir vérifié les aliments à l'intérieur du compartiment congélateur.

Note : L'annulation en appuyant sur un bouton n'est pas applicable à tous les modèles.

Utilisation de l'appareil

7. Verrouillage des commandes,

Appuyez simultanément sur le bouton de verrouillage des commandes (🔒) pendant 3 secondes. Symbole de verrouillage des touches

(🔒) s'allume et le mode verrouillage des commandes est activé. Les boutons ne fonctionneront pas si le mode Verrouillage des commandes est actif. Appuyez simultanément sur le bouton Key lock pendant 3 secondes à nouveau. Lorsque l'icône de verrouillage des commandes s'éteint, le mode Verrouillage des commandes est désactivé.

Appuyez sur le bouton **Verrouillage des commandes** si vous souhaitez éviter toute modification du réglage de la température du réfrigérateur (🔒).

8. Eco fuzzy

Appuyez et maintenez enfoncé le bouton Eco fuzzy pendant 1 seconde pour activer la fonction Eco fuzzy. Le réfrigérateur commence à fonctionner dans le mode le plus économique au moins 6 heures plus tard et le voyant d'utilisation économique s'allume lorsque la fonction est activée. (🌿). Appuyez et maintenez enfoncé le bouton Eco fuzzy pendant 3 secondes pour désactiver la fonction Eco fuzzy.

Ce témoin s'allume après 6 heures lorsque le bouton Eco fuzzy est activé.

9. Bouton de réglage de la température du compartiment de congélation

Appuyez sur ce bouton pour régler la température du compartiment de congélation à -18, -19, -20, -21, -22, -23, -24, -18... respectivement. Appuyez sur ce bouton pour définir la température souhaitée pour le compartiment congélateur. (📄)

10. Bouton de fonction Congélation rapide /Bouton marche/arrêt du distributeur de glaçons

Appuyez sur ce bouton pour activer ou

désactiver la fonction de congélation rapide. Lorsque vous activez la fonction, le compartiment congélateur sera refroidi à une température inférieure à la valeur définie.

(📄) Pour allumer et éteindre le distributeur de glaçons, appuyez et maintenez-le enfoncé pendant 3 secondes.



Utilisez la fonction de congélation rapide lorsque vous souhaitez congeler rapidement les aliments placés dans le compartiment réfrigérateur. Si vous souhaitez congeler de grandes quantités d'aliments, nous vous recommandons d'activer cette fonction au préalable.



Après 24 heures de temps ou lorsque le compartiment réfrigérateur atteint la température souhaitée, la fonction de congélation rapide s'annulera automatiquement si vous ne le faites pas.



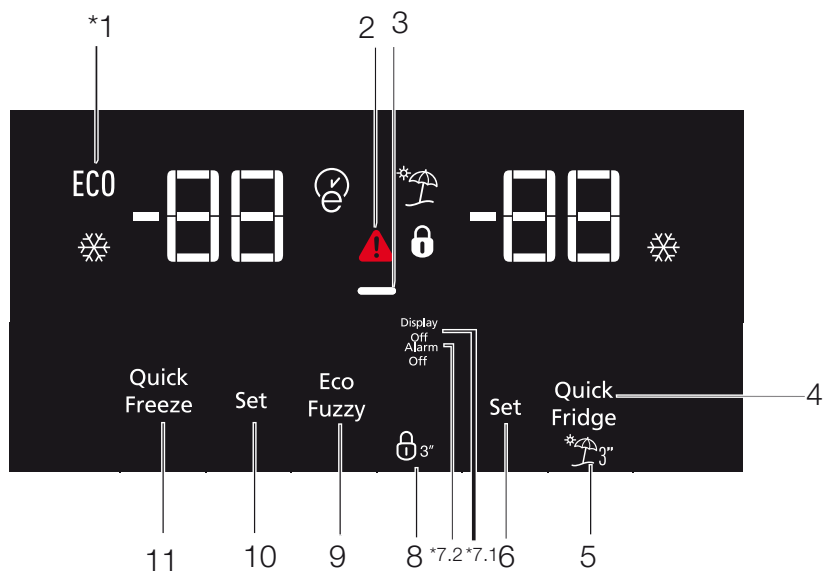
Cette fonction n'est pas reprise lorsque le courant est rétabli après une panne de courant.

11. Voyant d'économie d'énergie

Indique que le réfrigérateur fonctionne en mode d'économie d'énergie. (eco) Ce voyant sera activé si la température du compartiment congélateur est réglée sur -18 ou si le refroidissement à économie d'énergie est réalisé suite à l'activation de la fonction Eco Extra.



Le voyant d'économie d'énergie s'éteint lorsque la fonction de réfrigération rapide ou de congélation rapide est sélectionnée.



1. Économie

Ce symbole s'allume lorsque le compartiment congélateur est réglé sur -18°C comme la valeur de réglage la plus économique (ECO). Le voyant d'économie d'énergie s'éteint lorsque les fonctions de réfrigération rapide ou de congélation rapide sont sélectionnées.

2. Température élevée / voyant d'avertissement d'erreur

Ce voyant (⚠) s'allume en cas de défaut de température élevée et d'avertissements d'erreur.

3. Fonction Économie d'énergie (Arrêt de l'affichage)

Si les portes de l'appareil restent fermées pendant longtemps, la fonction Économie d'énergie s'active automatiquement et le symbole d'Économie d'énergie s'allume. Si la fonction Économie d'énergie est active, tous les symboles de l'écran hormis celui de l'Économie d'énergie s'éteindront. Lorsque la Fonction Économie d'énergie est active, si vous appuyez sur un bouton quelconque ou ouvrez la porte, cette fonction sera désactivée et les symboles qui se trouvent à l'écran redeviendront normaux.



***en option** : Les chiffres présentés dans ce guide sont à titre indicatif et peuvent ne pas correspondre à votre appareil. Si votre appareil ne dispose pas des parties citées, alors l'information s'applique à d'autres modèles.


Utilisation de l'appareil

La fonction Économie d'énergie est activée à la sortie de l'appareil de l'usine et ne peut être annulée.


4. Congélation rapide

Appuyez sur le bouton no.(4) pour l'opération de congélation rapide. Le voyant de congélation rapide

() s'allume.

Le voyant de congélation rapide s'allume lorsque la fonction de congélation rapide est activée et le voyant de température du compartiment réfrigérateur affiche -27. Pour annuler cette fonction, appuyez à nouveau sur le bouton Congélation rapide (). L'indicateur de congélation rapide s'éteindra et le réfrigérateur retournera à son réglage normal. Après 24 heures, la fonction de congélation rapide s'annule automatiquement si vous ne l'avez pas fait avant. Si vous souhaitez congeler de grandes quantités de produits frais, appuyez sur le bouton Congélation rapide avant d'introduire ces produits dans le compartiment de congélation.

5. Fonction Vacances


Pour activer la fonction Vacances, appuyez sur le bouton no (4) () pendant 3 secondes.

Le voyant du mode Vacances s'allume.




Si la fonction Vacances est activée, " - - " s'affiche sur l'indicateur de température du compartiment réfrigérateur et aucun refroidissement actif n'est sélectionné sur le compartiment réfrigérateur. Il n'est pas adapté de conserver les denrées dans le compartiment réfrigérateur lorsque cette fonction est activée. D'autres compartiments doivent continuer à se refroidir conformément à leur température réglée.

Annulez cette fonction en appuyant à nouveau sur le bouton **Fonction Vacances**.

6. Réglage de la température du compartiment réfrigérateur

Lorsque vous appuyez sur le bouton no (6), vous pourrez régler la température du compartiment réfrigérateur respectivement sur 8, 7, 6, 5, 4, 3, 2 et 1 ().

7.1 Fonction Économie d'énergie (Arrêt de l'affichage)

Le symbole d'économie d'énergie () s'allume et la fonction Économie d'énergie s'active lorsque vous appuyez sur ce bouton (). Si la fonction Économie d'énergie est active, tous les symboles de l'écran hormis celui de l'Économie d'énergie s'éteindront. Lorsque la Fonction Économie d'énergie est active, si vous appuyez sur un bouton quelconque ou ouvrez la porte, cette fonction sera désactivée et les symboles qui se trouvent à l'écran redeviendront normaux. Le symbole d'économie d'énergie s'éteint et la fonction Économie d'énergie est désactivée lorsque vous appuyez à nouveau sur ce bouton ().

7.2 Avertissement d'alarme désactivée

En cas de coupure d'électricité/d'alarme de température élevée, appuyez sur le bouton d'alarme désactivée pour annuler l'alarme, après avoir inspecté les aliments placés dans le compartiment congélateur.

Utilisation de l'appareil

8. Verrouillage des commandes

Appuyez simultanément sur le bouton de verrouillage des commandes (🔒) pendant 3 secondes. Symbole de verrouillage des touches

(🔒) s'allume et le mode verrouillage des commandes est activé. Les boutons ne fonctionneront pas si le mode Verrouillage des commandes est actif. Appuyez simultanément sur le bouton Key lock pendant 3 secondes à nouveau. Lorsque l'icône de verrouillage des commandes s'éteint, le mode Verrouillage des commandes est désactivé.

Appuyez sur le bouton **Verrouillage des commandes** si vous souhaitez éviter toute modification du réglage de la température du réfrigérateur (🔒).

9. Eco fuzzy

Appuyez et maintenez enfoncé le bouton Eco fuzzy pendant 1 seconde pour activer la fonction Eco fuzzy. Le réfrigérateur commence à fonctionner dans le mode le plus économique au moins 6 heures plus tard et le voyant d'utilisation économique s'allume lorsque la fonction est activée. (🌿). Appuyez et maintenez enfoncé le bouton Eco fuzzy pendant 3 secondes pour désactiver la fonction Eco fuzzy.

Ce témoin s'allume après 6 heures lorsque le bouton Eco fuzzy est activé.

10. Réglage de température du compartiment congélateur

C'est ici que s'effectue le réglage de la température du compartiment congélateur. Appuyez sur le bouton no.10 pour régler la température du compartiment congélateur respectivement sur -18, -19, -20, -21, -22, -23 et -24.

11. Refroidissement rapide

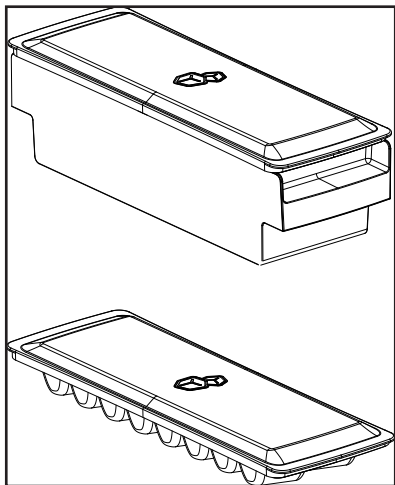
Le voyant de refroidissement rapide (❄️) s'allume lorsque la fonction de refroidissement rapide est activée et le voyant de température du compartiment réfrigérateur affiche 1. Pour annuler cette fonction, appuyez à nouveau sur le bouton Refroidissement rapide. L'indicateur de refroidissement rapide s'éteindra et le réfrigérateur retournera à son réglage normal. Après 1 heure, la fonction de refroidissement rapide s'annule automatiquement si vous ne l'avez pas fait avant. Si vous souhaitez introduire de grandes quantités de produits frais dans le réfrigérateur, appuyez sur le bouton Refroidissement rapide avant d'introduire ces produits dans le compartiment réfrigérateur.

Utilisation de l'appareil

5.9. Seau à glace

(En option)

- Retirez le seau à glace du compartiment congélateur.
- Remplissez-le d'eau.
- Remplacez le seau à glace dans le compartiment congélateur.
- Les glaçons seront prêts après environ deux heures. Retirez le seau à glace du compartiment congélateur et tordez-le légèrement au-dessus du support dans lequel vous souhaitez servir les glaçons. Les glaçons se verseront donc facilement dans le support dans lequel vous souhaitez les servir.



5.10. Support d'œufs

Vous pouvez placer le support d'œufs sur la porte ou l'étagère de votre choix. Si vous décidez de le placer sur l'étagère, il est recommandé de le placer sur les étagères inférieures car elles sont plus froides.

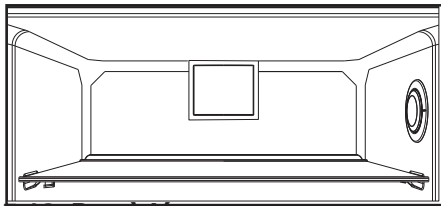


Évitez de placer le support d'œufs dans le compartiment congélateur.

5.11. Ventilateur

Le ventilateur a été conçu pour faire circuler de manière homogène l'air froid à l'intérieur de votre réfrigérateur. La durée de fonctionnement du ventilateur varie en fonction des propriétés de votre appareil.

Dans certains réfrigérateurs, le ventilateur fonctionne uniquement avec compresseur, dans d'autres systèmes de commande, il permet de déterminer la durée de fonctionnement basée sur le besoin de refroidissement.



5.12. Bac à légumes

(En option)

Le bac à légumes du réfrigérateur est conçu pour conserver les légumes frais en préservant l'humidité. Pour cela, la circulation de la totalité de l'air froid est intensifiée dans le bac à légumes.

5.13. Compartiment zéro degré

(En option)

Utilisez ce compartiment pour conserver de l'épicerie fine à des températures faibles, ou des produits carnés destinés à une consommation immédiate.

Le compartiment Zéro degré est l'endroit le plus froid où vous pouvez conserver les aliments tels que les produits laitiers, la viande, le poisson et la volaille dans des conditions idéales. Les légumes et/ou fruits ne doivent pas être conservés dans ce compartiment.

5.14. Éclairage bleu

(En option)

Les denrées conservées dans les bacs à légumes sont éclairées par une lumière bleue qui, grâce aux effets de sa longueur d'onde, permet aux fruits et légumes de continuer la photosynthèse et ainsi de conserver leur fraîcheur et leur teneur en vitamines.

Utilisation de l'appareil

5.15.Utilisation du deuxième bac à légumes de l'appareil;



Schéma 1.

Comme illustré dans le schéma, 2 butées sont prévues dans le deuxième bac à légumes du modèle K70560.



Schéma 2.

Le deuxième bac à légumes se présente comme dans le schéma 2 lorsqu'il est fermé.



Schéma 3.

Lorsque la porte est ouverte à 90°, tirez le deuxième bac à légumes jusqu'à la première butée, comme illustré dans le schéma 3.

Si le tiroir présente un plus grand angle d'ouverture, avant toute chose, ouvrez la porte au minimum à 135 degrés. Ensuite, comme illustré dans le schéma 4, levez le deuxième bac à légumes d'environ 5 mm de sorte à le dégager de la première butée.



Schéma 4.

Après avoir levé le deuxième bac à légumes, tirez le deuxième tiroir jusqu'à la deuxième butée, comme illustré dans le schéma 5.



Schéma 5.

Utilisation de l'appareil

5.16. Balconnet de porte amovible

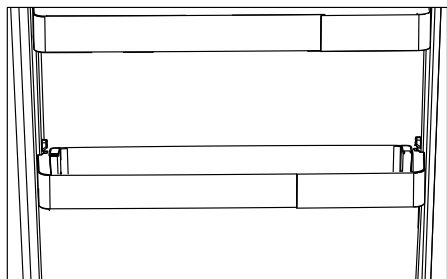
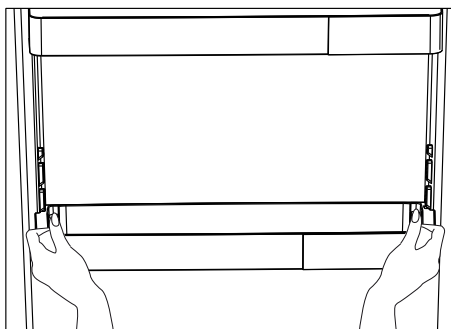
(En option)

Le balconnet de porte amovible peut être fixé de 3 manières différentes.

Pour déplacer le balconnet, appuyez uniformément sur les boutons situés sur le côté. Ainsi, le balconnet est amovible.

Déplacez le balconnet vers le haut ou vers le bas.

Une fois que ce dernier se trouve dans la position de votre choix, relâchez les boutons. Assurez-vous que le balconnet est fixé à nouveau à la position initiale.

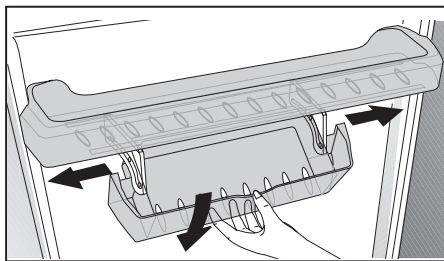


5.17. Boîte de stockage coulissante

(En option)

Cet accessoire a été conçu dans le but de renforcer les capacités des balconnets de porte.

Grâce à sa capacité à se déplacer latéralement, elle vous permet de disposer facilement de longues bouteilles, des bocaux ou des boîtes que vous placez dans le range-bouteilles inférieur.



Utilisation de l'appareil

5.18. Bac à légumes à humidité contrôlée

(En option)

Grâce à la fonction de contrôle de l'humidité, la quantité d'humidité de légumes et de fruits est maintenue sous contrôle. Cette fonction assure également une période de fraîcheur prolongée pour les aliments.

Il est recommandé de ne pas conserver les légumes à feuilles vertes, tels que les feuilles de laitue, les épinards, ainsi que les légumes similaires générant une perte d'humidité, sur leurs racines, mais en position horizontale dans le bac à légumes, autant que possible.

Lorsque vous stockez les légumes, placez les légumes lourds et durs au fond du bac et les légumes légers et doux au-dessus, en tenant compte des poids spécifiques de légumes.

Ne placez pas les légumes dans le bac à légumes lorsqu'ils sont encore dans les sacs en plastique. Lorsque vous les laissez dans les sacs en plastique, ces légumes pourrissent en un laps de temps. En cas de mélange de légumes non recommandé, utilisez des matériaux d'emballage tels que le papier qui possède une certaine porosité en termes d'hygiène.

Évitez de placer des fruits qui ont une production de gaz à haute teneur en éthylène tels que la poire, l'abricot, la pêche et en particulier la pomme dans le même bac à légumes que d'autres légumes et fruits. Le gaz d'éthylène provenant de ces fruits pourrait accélérer la maturité d'autres légumes et fruits qui pourraient pourrir en un laps de temps.

5.19. Module de désodorisation

(FreshGuard) *en option

Le module de désodorisation élimine rapidement les mauvaises odeurs dans votre réfrigérateur avant qu'elles ne pénètrent dans

les surfaces. Grâce à ce module placé sur le plafond du compartiment des aliments frais, les mauvaises odeurs se dissolvent pendant que l'air circule de manière active sur le filtre anti-odeurs, puis l'air qui a été nettoyé par le filtre est réintroduit dans le compartiment des aliments frais. De cette façon, les odeurs indésirables qui peuvent apparaître lors de la conservation des aliments dans le réfrigérateur sont éliminées avant qu'elles ne pénètrent dans les surfaces.

Cela grâce au ventilateur, à la LED et au filtre anti-odeurs intégré dans le module. Utilisé au quotidien, le module de désodorisation s'allume automatiquement sur une base périodique. Pour assurer un fonctionnement efficace, il est recommandé de faire changer le filtre placé dans le module de désodorisation par le prestataire de service agréé tous les 5 ans. Le bruit que vous entendez pendant le fonctionnement est normal et dû au ventilateur intégré dans le module. Si vous ouvrez la porte du compartiment d'aliments frais pendant que le module est actif, le ventilateur se met temporairement en pause et reprend là où il s'était arrêté quelques secondes après la fermeture de la porte. En cas de panne de courant, le module de désodorisation reprend là où il s'est arrêté une fois le courant rétabli. Info : Il est recommandé de conserver les aliments aromatiques (tels que les fromages, les olives et les plats de charcuterie) dans leur emballage et scellés pour éviter les mauvaises odeurs qui peuvent se produire lorsque les odeurs de divers aliments se mélangent. En outre, il est recommandé de sortir rapidement les aliments avariés du réfrigérateur pour éviter que les autres aliments ne se détériorent et éviter les mauvaises odeurs.

Utilisation de l'appareil

5.20.Machine à glace automatique

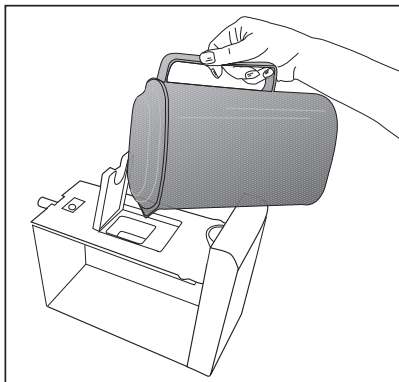
(En option)

La machine à glace automatique vous permet de faire facilement des glaçons dans votre réfrigérateur. Pour obtenir des glaçons à partir de la machine à glace, retirez le réservoir d'eau du compartiment réfrigérateur, remplissez-le d'eau et remplacez-le.

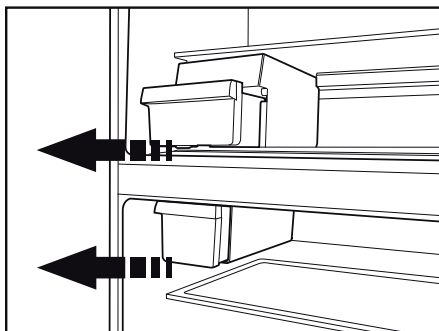
Les premiers glaçons seront prêts dans environ 2 heures dans le tiroir à glace situé dans le compartiment réfrigérateur.

Après avoir placé le réservoir rempli, vous pouvez obtenir environ 60 à 70 cubes de glace jusqu'à ce qu'il soit entièrement vide.

Si l'eau contenue dans le réservoir date de 2 à 3 semaines, veuillez la remplacer.



Dans les réfrigérateurs équipés de machine à glace automatique, vous pourriez entendre un son lorsque vous versez la glace. Ce phénomène est tout à fait normal et ne constitue nullement un signe de dysfonctionnement.



Utilisation de l'appareil

5.21. Distributeur et récipient de conservation de glaçons (dans certains modèles)

Utilisation du distributeur

Remplissez le distributeur de glaçons avec de l'eau et remettez-le à sa place. Vos glaçons seront prêts dans environ deux heures. Ne pas retirer le distributeur de glaçons de son logement pour prendre de la glace.

Tournez les molettes des réservoirs à glaçons dans le sens des aiguilles d'une montre, de manière à former un angle de 90 degrés.

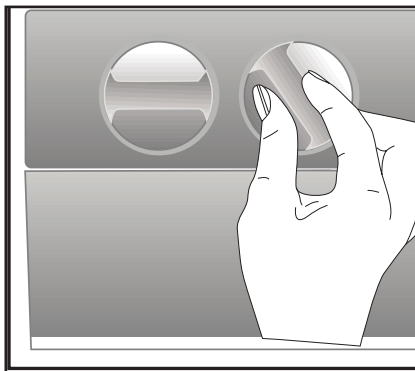
Les glaçons contenus dans les réservoirs tomberont dans le récipient de conservation de glaçons situé en dessous.

Vous pouvez alors sortir le récipient de conservation de glaçons et servir les glaçons.

Si vous le désirez, vous pouvez laisser les glaçons dans leur récipient de conservation.

Récipient de conservation de glaçons

Le récipient de conservation de glaçons sert simplement à accumuler les glaçons. Ne versez pas d'eau à l'intérieur. Cela peut le casser.

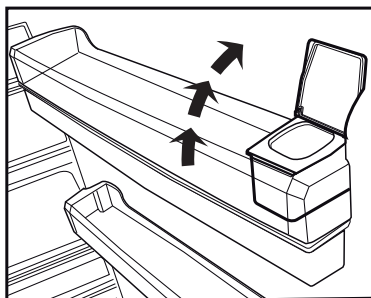
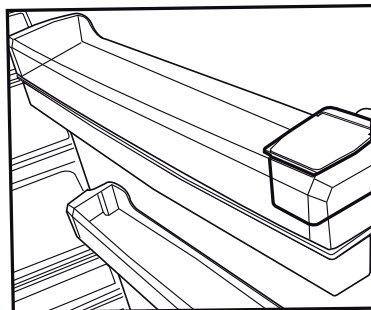
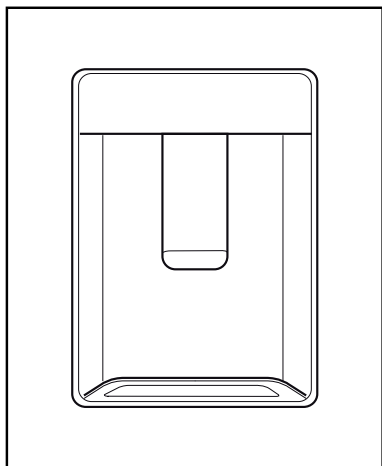


Utilisation de l'appareil

5.22. Distributeur d'eau

*en option

Cette fontaine est très important pour obtenir de l'eau fraîche sans avoir à ouvrir la porte de votre réfrigérateur. Comme vous n'aurez pas à ouvrir fréquemment la porte de votre réfrigérateur, cela vous permettra d'économiser de l'énergie.



5.23. Utilisation du distributeur

Appuyez sur le bouton de la fontaine avec votre verre. La fontaine cessera de fonctionner lorsque vous aurez relâché le bouton.

Pendant le fonctionnement de la fontaine, vous pouvez obtenir une quantité maximale en appuyant à fond sur le bouton. N'oubliez pas que la quantité de liquide obtenue est fonction du degré d'appui que vous exercez sur le bouton. A mesure que le niveau d'eau de votre tasse / verre augmente, réduisez doucement la quantité de pression du bouton pour éviter tout risque de débordement. Si vous appuyez légèrement sur le bouton, l'eau s'écoulera ; ce phénomène est tout à fait normal et n'est pas un dysfonctionnement.

Remplir le réservoir d'eau de la fontaine frigorigère

Le réservoir d'approvisionnement en eau se trouve dans le balconnet de la porte. Vous pouvez ouvrir le couvercle du réservoir et remplir celui-ci d'eau potable. Refermez ensuite le couvercle.

Avertissement !

- Ne remplissez pas le réservoir avec un liquide autre que de l'eau des boissons gazeuses, alcooliques, jus de fruits ou autres ne sont pas adaptés pour être utilisés avec le distributeur d'eau. Si de tels liquides sont utilisés, le distributeur connaîtra un dysfonctionnement et peut être profondément endommagé. La garantie ne couvre pas de telles utilisations. Certaines substances chimiques et certains additifs contenus dans de telles boissons / breuvages peuvent également endommager le réservoir d'eau.

Utilisation de l'appareil

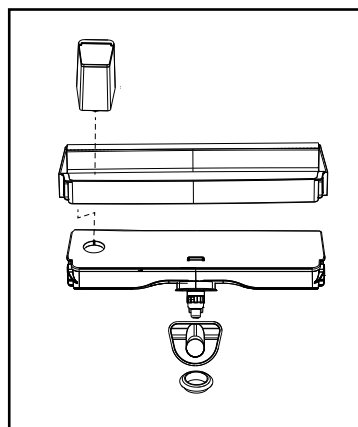
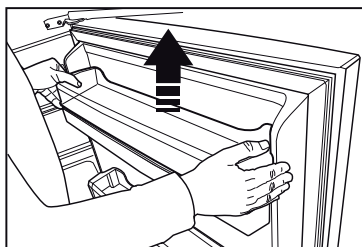
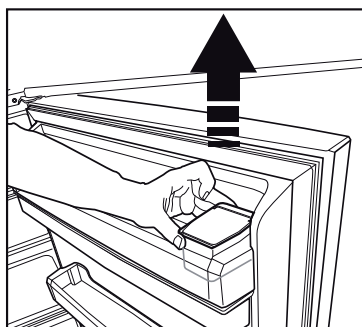
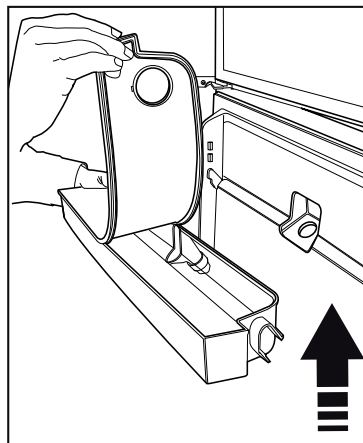
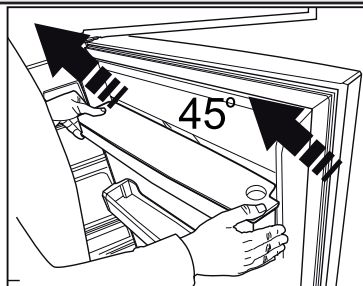
- Utilisez uniquement de l'eau potable propre.
- La capacité du réservoir est de 3 litres; ne dépassez pas la limite.
- Appuyez sur le bouton de la fontaine avec votre verre. Si vous utilisez une tasse jetable, poussez le bouton avec vos doigts à partir de l'arrière de la tasse.

5.24. Nettoyer le réservoir d'eau

- Retirez le réservoir d'approvisionnement en eau du balconnet de la porte.
- Retirez le balconnet de la porte en le tenant par les deux côtés.
- Tenez le réservoir par ses deux côtés et retirez-le selon un angle de 45 degrés.
- Retirez le couvercle afin de nettoyer le réservoir.

Important :

Le réservoir d'eau et les composants du distributeur d'eau ne peuvent pas être passés au lave-vaisselle.



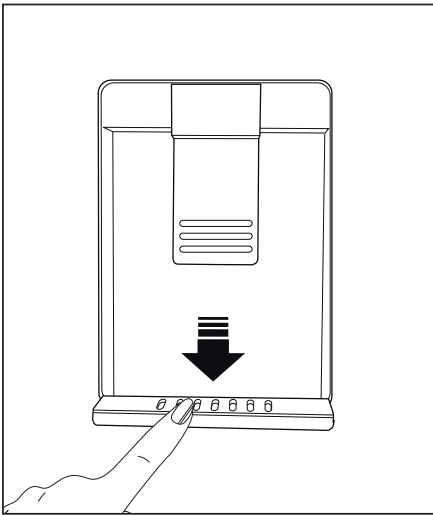
Utilisation de l'appareil

5.25. Bac à eau

L'eau qui s'écoule lors de l'utilisation du distributeur d'eau s'accumule dans le bac de dégivrage.

Retirez la crépine en plastique comme sur le schéma.

Essuyez l'excédent d'eau à l'aide d'un chiffon propre et sec.



Utilisation de l'appareil

5.26. Congélation des produits frais

- Pour conserver la qualité des aliments, les denrées placées dans le compartiment congélateur doivent être congelées le plus rapidement possible, à l'aide de la fonction de congélation rapide.
- Le fait de congeler les denrées à l'état frais prolongera la durée de conservation dans le compartiment congélateur.
- Emballez les aliments dans des emballages sous vide et scellez-les correctement.
- Assurez-vous que les aliments sont emballés avant de les placer dans le congélateur. Utilisez des récipients pour congélateur, du papier aluminium et du papier résistant à l'humidité, des sacs en plastique ou du matériel d'emballage similaire au lieu d'un papier d'emballage ordinaire.



La glace contenue dans le compartiment congélateur dégèle automatiquement.

- Marquez chaque emballage en y écrivant la date avant de le placer au congélateur. Ceci vous permettra de déterminer la fraîcheur de chaque paquet lors des ouvertures du congélateur. Mettez les aliments les plus anciens à l'avant pour vous assurer qu'ils sont utilisés en premier.
- Les aliments congelés doivent être utilisés immédiatement après le dégivrage et ne doivent pas être congelés à nouveau.
- Ne retirez pas de grandes quantités d'aliments au même moment.

5.27. Recommandations relatives à la conservation des aliments congelés

Le compartiment doit être réglé à -18 °C minimum.

1. Placez les aliments dans le congélateur le plus rapidement possible pour éviter leur dégivrage.
2. Avant de les faire dégivrer, vérifiez la « date d'expiration » sur l'emballage pour vous assurer de l'état des aliments.
3. Assurez-vous que l'emballage de l'aliment n'est pas endommagé.

Réglage de la température du compartiment congélateur	Réglage de la température du compartiment réfrigérateur	Détails
-18°C	4°C	Ceci est le paramètre par défaut recommandé.
-20, -22 ou -24°C	4°C	Ces réglages sont recommandés pour des températures ambiantes excédant 30 °C.
Congélation rapide	4°C	Cet indicateur est utilisé lorsque vous souhaitez congeler vos aliments pendant une courte période. Une fois le processus terminé, l'appareil retourne à son réglage initial.
Inférieure ou égale à -18°C	2°C	Utilisez ces réglages si vous estimez que le compartiment réfrigérateur n'est pas assez frais à cause de la température ambiante ou de l'ouverture fréquente de la porte.

Utilisation de l'appareil

5.28. Informations relatives au congélateur

Selon la norme CEI 62552, le congélateur doit être doté d'une capacité de congélation des aliments de 4,5 kg à une température inférieure ou égale à -18 °C en 24 heures pour chaque 100 litres du volume du compartiment congélateur.

Les aliments peuvent être préservés pour des périodes prolongées uniquement à des températures inférieures ou égales à -18 °C.

Vous pouvez garder les aliments frais pendant des mois (dans le congélateur à des températures inférieures ou égales à 18 °C). Les aliments à congeler ne doivent pas être en contact avec ceux déjà congelés pour éviter un dégivrage partiel.

Faites bouillir les légumes et filtrer l'eau pour prolonger la durée de conservation à l'état congelé. Placez les aliments dans des conditionnements hermétiques après filtrage et placez-les dans le congélateur. Les bananes, les tomates, les feuilles de laitue, le céleri, les oeufs durs, les pommes de terre et les aliments similaires ne doivent pas être congelés. Lorsque les aliments pourrissent, seules les valeurs nutritionnelles et les qualités alimentaires sont négativement affectées. Il ne s'agit pas d'un aliment détérioré susceptible de constituer un danger pour la santé humaine.

5.29. Disposition des denrées

Étagères du compartiment congélateur	Vous pouvez congeler différents aliments comme de la viande, du poisson, des crèmes glacées, des légumes, etc.
Étagères du compartiment réfrigérateur	Les aliments contenus dans des casseroles, des plats couverts, des gamelles et les œufs (dans des gamelles)

Balconnets de la porte du compartiment réfrigérateur	Aliments emballés et de petite taille ou des boissons
Bac à légumes	Fruits et légumes
Compartiment des aliments frais	Épicerie fine (aliments pour petit déjeuner, produits carnés à consommer à court terme)

5.30. Alerte ouverture de porte (En option)

Un signal sonore est émis si la porte de l'appareil reste ouverte pendant au moins 1 minute. Le signal sonore s'arrête à la fermeture de la porte ou lorsqu'on appuie sur bouton de l'écran (si disponible).

Ce signal destiné à l'utilisateur est à la fois audible et visuel. Le voyant intérieur s'allume si le signal d'avertissement est émis pendant 10 minutes.

5.31. Inversion de la direction d'ouverture de la porte

Vous pouvez inverser le sens d'ouverture de votre réfrigérateur, en fonction de son emplacement. Lorsque vous souhaitez effectuer cette opération, contactez le service agréé le plus proche.

L'explication ci-dessus est une déclaration générale. Veuillez vérifier l'étiquette d'avertissement située à l'intérieur de l'emballage de votre appareil, au sujet de l'inversion de la direction de la porte.

5.32. Éclairage interne

L'éclairage interne utilise une lampe de type DEL. Contactez le service agréé pour tout problème lié à cette lampe.

N'utilisez pas l'ampoule de cet appareil pour l'éclairage des maisons. Cette ampoule a été conçue pour permettre à l'utilisateur de placer les aliments dans le réfrigérateur / congélateur en toute sécurité et confortablement.

5.33.Lumière bleue/HarvestFresh

***Peut ne pas être disponible sur tous les modèles**

À propos de la lumière bleue,

Les fruits et légumes stockés dans les bacs à légumes éclairés par une lumière bleue continuent leur photosynthèse grâce à l'effet de longueur d'onde de la lumière bleue et préservent ainsi leur teneur en vitamine.

À propos de HarvestFresh,

Les fruits et légumes conservés dans les bacs à légumes éclairés par la technologie HarvestFresh conservent leurs vitamines plus longtemps grâce aux lumières bleues, vertes, rouges et aux cycles d'obscurité, qui simulent un cycle de jour.

Si vous ouvrez la porte du réfrigérateur lorsque la technologie HarvestFresh a activé la période d'obscurité, le réfrigérateur le détectera automatiquement et activera la lumière bleue, verte ou rouge afin d'éclairer le bac à légumes à votre convenance. Une fois que vous avez fermé la porte du réfrigérateur, la période d'obscurité se poursuit, représentant ainsi la nuit dans un cycle de jour.

Nettoyez régulièrement l'appareil afin de prolonger sa durée de vie et réduire les problèmes fréquemment rencontrés.



AVERTISSEMENT : Éteignez l'appareil avant de le nettoyer.



AVERTISSEMENT : Il est recommandé de nettoyer le condenseur tous les six mois avec des gants. Vous ne devez pas utiliser d'aspirateur.

- N'utilisez jamais d'essence, de benzène ou de matériaux similaires pour le nettoyage.
- N'utilisez jamais d'ustensiles abrasifs tranchants, de savon, de produit de nettoyage domestique, de détergent et de cirage pour effectuer le nettoyage.
- Dissolvez une cuillerée à café de carbonate dans un demi-litre d'eau. Trempez un chiffon dans cette solution et essorez-le complètement. Nettoyez soigneusement l'intérieur du réfrigérateur avec ce chiffon et séchez ensuite à l'aide d'un chiffon sec.
- Ne laissez pas de l'eau pénétrer dans le logement de lampe ou dans toute autre pièce électrique.
- Si vous n'utilisez pas le réfrigérateur pendant une période prolongée, débranchez-le, retirez-y tous les aliments, nettoyez-le et laissez la porte entrouverte.
- Vérifiez régulièrement que les joints des portes sont propres. Si tel n'est pas le cas, nettoyez-les.
- Retirez tous les aliments de l'appareil avant de retirer la porte et les étagères.
- Retirez les balconnets en les tirant vers le haut. Faites glisser les balconnets vers le bas pour les réinstaller après le nettoyage.
- N'utilisez jamais de produits de nettoyage chlorés ou d'eau pour nettoyer les surfaces extérieures ou les parties du produit recouvertes de chrome. Le chlore entraîne l'abrasion de ces surfaces métalliques.

- Pour des appareils qui ne sont pas de la marque No Frost, des gouttes d'eau et une couche de givre pouvant atteindre la largeur d'un doigt se forment sur la paroi arrière du compartiment réfrigérateur. Ne les nettoyez pas et évitez d'y utiliser de l'huile ou des produits similaires.
- Utilisez uniquement des tissus en microfibras légèrement mouillés pour nettoyer la surface externe de l'appareil. Les éponges et autres tissus de nettoyage sont susceptibles de rayer la surface.

6.1. Prévention des mauvaises odeurs

Les matériaux susceptibles d'être à l'origine d'une odeur ne sont pas utilisés dans la fabrication de nos réfrigérateurs. Toutefois, des odeurs peuvent se dégager si les aliments sont mal rangés ou si la surface interne de l'appareil n'est pas nettoyée comme il se doit. Veuillez tenir compte des points suivants pour éviter ce problème :

- Il est important de garder le réfrigérateur propre. Les résidus d'aliments, les taches, etc. peuvent être à l'origine des odeurs. Pour cette raison, nettoyez votre réfrigérateur avec du carbonate dissout dans de l'eau tous les 15 jours. N'utilisez jamais de détergent ou de savon.
- Conservez vos aliments dans des récipients fermés. Les micro-organismes émis par les récipients sans couvercle peuvent provoquer des odeurs désagréables.
- Ne gardez jamais les aliments périmés ou abîmés dans votre réfrigérateur.

6.2. Protection des surfaces en plastique.

Ne placez pas d'huiles ou de plats huileux dans le réfrigérateur dans des récipients non fermés, car les graisses peuvent endommager les surfaces en plastique du réfrigérateur. Si de l'huile est répandue ou étalée sur les surfaces en plastique, nettoyez et rincez immédiatement la partie concernée de la surface à l'eau tiède.

6.3. Nettoyage de la surface intérieure

Pour nettoyer les surfaces intérieures et toutes les parties amovibles, lavez-les avec une solution douce contenant du savon, de l'eau et du carbonate. Rincez et séchez complètement. Empêchez l'eau de toucher les dispositifs d'éclairage et le panneau de commande.



ATTENTION :

N'utilisez pas de vinaigre, d'alcool à friction ou d'autres produits de nettoyage à base d'alcool sur les surfaces intérieures.

6.4. Surfaces extérieures en acier inoxydable

Utilisez un produit de nettoyage en acier inoxydable non abrasif et appliquez-le avec un chiffon doux et non pelucheux. Pour le polissage, essuyez avec douceur la surface avec un chiffon humide en microfibres et utilisez du cuir sec. Suivez toujours les fils d'acier inoxydable.

6.5. Nettoyage d'appareils avec portes en verre

Enlevez le film protecteur qui recouvre la vitre. Il y a un revêtement sur la surface de la vitre. Ce revêtement minimise la formation de taches et garantit un nettoyage facile des taches et des salissures. Les vitres non protégées par un tel revêtement peuvent être exposées à un colmatage persistant de polluants transportés par l'eau ou par l'air et d'origine organique ou inorganique comme le calcaire, les sels minéraux, les hydrocarbures non brûlés, les oxydes métalliques et les silicones qui peuvent facilement et rapidement former des taches ou entraîner ainsi des dégâts matériels. Malgré un lavage régulier, la vitre devient très difficile à nettoyer, mais reste nettoyable. En conséquence, la clarté et la bonne apparence du verre en pâtit. Les composés et méthodes de nettoyage durs et abrasifs augmentent encore ces défauts et accélèrent le processus de détérioration.

*Les produits de nettoyage non alcalins, non abrasifs et à base d'eau doivent être utilisés pour les procédures de nettoyage usuelles. Pour que le revêtement ait une longue durée de vie, les substances alcalines ou abrasives ne doivent pas être utilisées lors des opérations de nettoyage.

Ces vitres ont été soumises à un processus de trempe pour augmenter leur résistance aux chocs et à la rupture.

Comme mesure de sécurité supplémentaire, les surfaces arrière des verres sont recouvertes d'un film de sécurité pour s'assurer qu'ils ne nuisent pas à l'environnement en cas de rupture.

Vérifiez la liste suivante avant de contacter le service après-vente. Cela vous permet de gagner du temps et de l'argent. Cette liste contient les problèmes fréquemment rencontrés qui ne sont pas le résultat d'un défaut de fabrication ou d'une mauvaise utilisation des matériaux. Il se peut que votre appareil ne présente pas certaines des caractéristiques décrites ici.

Le réfrigérateur ne fonctionne pas.

- Il peut ne pas être branché comme il se doit. >>>Branchez l'appareil correctement.
- Le fusible de la prise à laquelle votre réfrigérateur est branché ou le fusible principal a peut-être sauté. >>>Vérifiez le fusible.

Condensation sur la paroi intérieure du compartiment réfrigérateur. (MULTI ZONE, COOL CONTROL et FLEXI ZONE).

- La porte peut avoir été ouverte/fermée fréquemment. Évitez d'ouvrir/de fermer la porte du réfrigérateur fréquemment.
- L'environnement peut être trop humide. >>>N'installez pas le réfrigérateur à des endroits très humides.
- Les aliments contenant du liquide peuvent avoir été placés au réfrigérateur dans des récipients sans couvercle. >>>Assurez-vous que des aliments contenant du liquide rangés dans des récipients non fermés ne soient pas placés pas dans le réfrigérateur.
- La porte du réfrigérateur peut avoir été laissée entrouverte. >>>Ne gardez pas longtemps les portes de votre réfrigérateur ouvertes.
- Le thermostat peut avoir été réglé à un niveau très froid. >>>Réglez le thermostat à un niveau approprié.

Le compresseur ne fonctionne pas.

- Le dispositif de protection thermique du compresseur sautera en cas de coupures soudaines du courant ou de débranchement intempestif, en effet la pression du liquide réfrigérant du système de refroidissement ne sera pas équilibrée. Le réfrigérateur recommence à fonctionner normalement après 6 minutes environ. Si le réfrigérateur ne démarre pas à la fin de cette période, veuillez appeler le prestataire de services agréé.
- Le congélateur est en mode dégivrage. >>>Ceci est normal pour un réfrigérateur qui effectue le dégivrage entièrement automatique. Le cycle de dégivrage est effectué périodiquement.
- Le réfrigérateur ne doit pas être branché. >>>Assurez-vous que la fiche est bien insérée dans la prise.
- Les réglages de température peuvent être incorrects. >>>Sélectionnez la valeur de température correcte.
- Panne de courant possible. >>>Le réfrigérateur commence à fonctionner normalement une fois que l'alimentation est rétablie.

Le niveau sonore augmente lorsque le réfrigérateur est en marche.

- Les performances de fonctionnement du réfrigérateur peuvent varier en fonction des variations de température ambiante. Cela est normal et n'est pas un défaut.

Le réfrigérateur fonctionne fréquemment ou pendant de longues périodes.

Dépannage

- Votre nouveau réfrigérateur est peut-être plus grand que l'ancien. Les grands réfrigérateurs durent plus longtemps.
- La température de la pièce est probablement élevée. >>> Il est normal que l'appareil fonctionne plus longtemps dans des environnements chauds.
- Il se peut que le réfrigérateur ait été branché ou chargé d'aliments. >>> Il faut plus de temps à l'appareil pour atteindre la température réglée lorsqu'il vient d'être branché ou chargé. Ce phénomène est normal.
- De grandes quantités d'aliments chauds ont peut-être été mises au réfrigérateur récemment. >>> Ne placez pas les aliments chauds dans le réfrigérateur.
- Les portes peuvent avoir été ouvertes fréquemment ou laissées entrouvertes depuis longtemps. >>> L'air chaud qui pénètre dans le réfrigérateur le fait fonctionner plus longtemps. N'ouvrez pas les portes fréquemment.
- Les portes des compartiments congélateur et réfrigérateur ont été laissées entrouvertes. >>> Assurez-vous que les portes sont bien fermées.
- L'appareil peut être réglé à une température très basse. >>> Réglez la température du réfrigérateur à un degré plus chaud et patientez que l'appareil atteigne ce niveau de température.
- Le joint de porte du réfrigérateur ou du compartiment congélateur peut être sale, usé, brisé ou mal fixé. >>> Nettoyez ou remplacez le joint. Tout joint endommagé/brisé fait fonctionner le réfrigérateur pendant une période de temps plus longue afin de conserver la température actuelle.

La température du réfrigérateur est adéquate, mais la température du congélateur est très basse.

- La température du compartiment congélateur peut être réglée à une valeur très basse. >>> Réglez la température du compartiment congélateur à une valeur supérieure et vérifiez.

La température du congélateur est adéquate, mais la température du réfrigérateur est très basse.

- Le réfrigérateur est réglé à une température très basse. >>> Réglez la température du réfrigérateur à un degré supérieur et vérifiez.

Les denrées conservées dans les tiroirs du compartiment de réfrigération sont congelées.

- La température du compartiment réfrigérateur peut être réglée à une valeur très élevée. >>> Réglez la température du compartiment réfrigérateur à une valeur inférieure et vérifiez.

La température dans le réfrigérateur ou le congélateur est très élevée.

- La température du compartiment réfrigérateur peut être réglée à une température très élevée. >>> Le réglage du compartiment réfrigérant a un effet sur la température du congélateur. Modifiez la température du réfrigérateur ou du compartiment congélateur jusqu'à ce que la température du réfrigérateur ou du compartiment congélateur atteigne un niveau adéquat.
- Les portes peuvent avoir été ouvertes fréquemment ou laissées entrouvertes depuis longtemps. >>> N'ouvrez pas les portes fréquemment.
- La porte a peut-être été laissée entrouverte. >>> Fermez complètement la porte.
- Le réfrigérateur était peut-être tout simplement branché ou chargé d'aliment. >>> Ce phénomène est normal. Il faut plus de temps à l'appareil pour atteindre la température réglée lorsqu'il vient d'être branché ou chargé.
- De grandes quantités d'aliments chauds ont peut-être été mises au réfrigérateur récemment. >>> Ne placez pas les aliments chauds dans le réfrigérateur.

Vibrations ou bruits.

Dépannage

- Le plancher peut ne pas être stable ou de niveau. >>>Si le réfrigérateur vibre légèrement, ajustez l'alimentation pour l'équilibrer. Assurez-vous que le sol est de niveau et capable de supporter le poids du réfrigérateur.
- Les objets placés sur le réfrigérateur peuvent causer du bruit. >>>Retirez tout objet placé sur le réfrigérateur.

Le réfrigérateur produit des bruits semblables à de l'eau qui coule ou à la pulvérisation d'un liquide.

- Les écoulements de liquide et de gaz surviennent conformément aux principes de fonctionnement du réfrigérateur. >>>Ce phénomène est normal et n'est pas considéré comme un défaut.

Le réfrigérateur émet un sifflement.

- Votre appareil est doté de ventilateurs qui servent à le refroidir. Cela est normal et n'est pas un défaut.

L'humidité s'accumule sur les parois intérieures du réfrigérateur.

- Un temps chaud et humide augmente la formation de givre et de condensation. Cela est normal et n'est pas un défaut.
- Les portes peuvent avoir été ouvertes fréquemment ou laissées entrouvertes depuis longtemps. >>>N'ouvrez pas les portes fréquemment. Fermez les portes, si elles sont ouvertes.
- La porte a peut-être été laissée entrouverte. >>>Fermez complètement la porte.

L'humidité est présente sur la surface extérieure du réfrigérateur ou entre les portes.

- L'air peut être humide. C'est tout à fait normal par temps humide. >>>La condensation disparaît une fois que le taux d'humidité diminue.
- L'espace présent entre deux portes du réfrigérateur peut présenter de l'humidité si vous utilisez rarement votre appareil. Ce phénomène est normal. Cette humidité disparaît en cas d'utilisation fréquente du réfrigérateur.

L'intérieur du réfrigérateur dégage une mauvaise odeur.

- L'appareil n'a peut-être pas été nettoyé régulièrement. Nettoyez l'intérieur du réfrigérateur avec une éponge, de l'eau tiède ou de l'eau gazeuse.
- Certains récipients ou matériaux d'emballage peuvent provoquer des odeurs. >>>Utilisez un autre récipient ou du matériel d'emballage d'une autre marque.
- Les aliments peuvent avoir été mis au réfrigérateur dans des récipients sans couvercle. >>>Conservez les aliments dans des récipients fermés. Les micro-organismes émis par les récipients sans couvercle peuvent provoquer des odeurs désagréables.
- Sortez les aliments périmés ou abîmés du réfrigérateur.

Il est impossible de fermer la porte.

- Des récipients peuvent empêcher la porte de se fermer. >>> Repérez les emballages qui obstruent la porte.
- Le réfrigérateur peut être instable sur le sol. >>>Ajustez les pieds du réfrigérateur au besoin pour le garder en équilibre.
- Le plancher peut ne pas être de niveau ou solide. >>>Assurez-vous que le plancher est de niveau et qu'il peut supporter le poids du réfrigérateur.

Les bacs à légumes sont coincés.

- Les aliments peuvent toucher la paroi supérieure du bac à légumes. >>>Réorganisez les aliments dans le bac à légumes.

Si la surface de l'appareil est chaude

Vous pouvez observer une élévation de la température entre les deux portes, sur les panneaux latéraux et au niveau de la grille arrière pendant le fonctionnement de l'appareil. Ce phénomène est normal et ne nécessite aucune opération d'entretien !

Le ventilateur continue de fonctionner lorsque la porte est ouverte.

Le ventilateur peut continuer de fonctionner lorsque la porte du congélateur est ouverte.



AVERTISSEMENT : Si vous ne parvenez pas à résoudre le problème même après avoir suivi les instructions données dans cette section, contactez votre revendeur ou le prestataire de services agréé. N'essayez jamais de réparer un appareil défectueux.

CLAUDE DE NON-RESPONSABILITÉ / AVERTISSEMENT

Il est possible de remédier à certaines défaillances (simples) de manière adéquate par l'utilisateur final sans qu'il y ait de problème de sécurité ou d'utilisation dangereuse, à condition qu'elles soient effectuées dans les limites et conformément aux instructions suivantes (voir la section « Auto-réparation »).

Dès lors, sauf autorisation contraire dans la section « Auto-réparation » ci-dessous, les réparations doivent être adressées à des réparateurs professionnels agréés afin d'éviter les problèmes de sécurité. Un réparateur professionnel agréé est un réparateur professionnel à qui le fabricant a donné accès aux instructions et à la liste des pièces détachées de ce produit selon les méthodes décrites dans les actes législatifs en application de la directive 2009/125/CE.

Par contre, tel que mentionné dans le manuel d'utilisation/carte de garantie, seul l'agent de service (c'est-à-dire les réparateurs professionnels agréés) que vous pouvez joindre au numéro de téléphone indiqué dans le manuel d'utilisation/carte de garantie ou par l'intermédiaire de votre revendeur agréé peut fournir un service dans le cadre des conditions de garantie. Par conséquent, veuillez noter que les réparations effectuées Beko par des réparateurs professionnels (qui ne sont pas autorisés par) annuleront la garantie.

Auto-réparation

L'utilisateur final peut lui-même réparer les pièces de rechange ci-après : poignées de porte, charnières de porte, plateaux, paniers et joints de porte (une liste mise à jour est également disponible à l'adresse support.beko.com au 1er mars 2021).

En outre, pour garantir la sécurité du produit et éviter tout risque de blessure grave, l'autoréparation mentionnée doit être effectuée en suivant les instructions du manuel d'utilisation pour l'autoréparation ou qui sont

disponibles dans support.beko.com Pour votre sécurité, débranchez le produit avant de tenter toute autoréparation.

Les réparations et tentatives de réparation par les utilisateurs finaux pour les pièces ne figurant pas dans cette liste et/ou ne suivant pas les instructions des manuels d'utilisation pour l'autoréparation ou qui sont disponibles dans support.beko.com, pourrait donner lieu à des problèmes de sécurité non imputables à Beko, et annulera la garantie du produit.

Il est donc fortement recommandé aux utilisateurs finaux de s'abstenir de tenter d'effectuer des réparations ne figurant pas sur la liste des pièces de rechange mentionnée, en s'adressant dans ce cas à des réparateurs professionnels autorisés ou à des réparateurs professionnels agréés. Au contraire, de telles tentatives de la part des utilisateurs finaux peuvent causer des problèmes de sécurité et endommager le produit et, par la suite, provoquer un incendie, une inondation, une électrocution et des blessures corporelles graves.

Sans être exhaustives, les réparations suivantes par exemple doivent être effectuées par des personnes qualifiées : les réparateurs professionnels ou les réparateurs professionnels agréés : compresseur, circuit de refroidissement, carte mère, carte de convertisseur, carte d'affichage, etc.

Le fabricant/vendeur ne peut être tenu responsable dans tous les cas où les utilisateurs finaux ne se conforment pas à ce qui précède.

La disponibilité des pièces de rechange du réfrigérateur que vous avez acheté est de 10 ans.

Pendant cette période, des pièces de rechange originales seront disponibles pour faire fonctionner correctement le réfrigérateur.

La durée minimale de garantie du réfrigérateur que vous avez acheté est de 24 mois.

Cet appareil est doté d'une source d'éclairage de classe énergétique "G".
Seuls des réparateurs qualifiés sont autorisés à procéder au remplacement de la source d'éclairage de cet appareil.



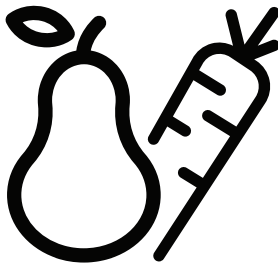


Kühlschrank/Gefrierschrank

Bedienungsanleitung

Frigorifero

Manuale utente



RCNE560E40ZXPB - RCNE560E40DSN - RCNE560E60ZXRN -
RCNE560E60ZXPB - KG560E50ZXPCHN



DE / IT /

58 5031 0000/AK

2/6

Bitte lesen Sie vor Inbetriebnahme des Gerätes diese Anleitung!

Sehr geschätzte Kundin, sehr geschätzter Kunde,





wir hoffen, dass Sie mit Ihrem Produkt, das sorgfältig in modernen Anlagen hergestellt und mit detaillierten Qualitätsprüfungen getestet wurde, optimale Ergebnisse erzielen.

Daher empfehlen wir Ihnen, diese Bedienungsanleitung vor Inbetriebnahme des Produktes aufmerksam zu lesen. Falls Sie das Gerät an jemand anderen weitergeben, vergessen Sie nicht, diese Bedienungsanleitung ebenfalls beizulegen.

Die Anleitung hilft Ihnen, Ihr Gerät schnell und sicher zu bedienen.

- Bitte lesen Sie die Bedienungsanleitung aufmerksam, bevor Sie das Produkt aufstellen und bedienen.
- Halten Sie stets die zutreffenden Sicherheitshinweise ein.
- Bewahren Sie die Bedienungsanleitung zum künftigen Nachschlagen an einem leicht zugänglichen Ort auf.
- Bitte lesen Sie alle anderen mit dem Produkt bereitgestellten Dokumente.

Beachten Sie, dass diese Bedienungsanleitung auf verschiedene Produktmodelle zutreffen kann. Diese Anleitung weist ausdrücklich auf Unterschiede zwischen verschiedenen Modellen hin.

	Wichtige Informationen und nützliche Hinweise.
	Gefahr von Verletzungen und Sachschäden.
	Stromschlaggefahr.
	Die Verpackungsmaterialien des Gerätes wurden gemäß nationalen Umweltschutzbestimmungen aus recyclingfähigen Materialien hergestellt.

ANGABEN



Die Modellinformationen, wie sie in der Produktdatenbank gespeichert sind, können durch Eingabe der folgenden Website und Suche nach Ihrer Modellkennung (*) auf dem Energieticket erreicht werden.

<https://eprel.ec.europa.eu/>

1 Wichtige Hinweise zu Sicherheit und Umwelt 3

1.1. Allgemeine Hinweise zu Ihrer Sicherheit	3
1.1.1 Kohlenwasserstoff-Warnung	6
1.1.2 Bei Produkten mit Wasserspender/Eisbereiter	6
1.2. Bestimmungsgemäßer Einsatz	6
1.3. Sicherheit von Kindern	7
1.4. Erfüllung der WEEE-Vorgaben zur Entsorgung von Altgeräten:	7
1.5. Einhaltung von RoHS-Vorgaben:	7
1.6. Verpackungsinformationen	7

2 Ihr Kühlschrank 8

3 Installation 9

3.1. Der richtige Aufstellungsort.	9
3.2. Kunststoffkeile anbringen	9
3.3. Füße einstellen.	9
3.4. Stromanschluss	9
3.5. Türanschlag umkehren	11
3.6. Türanschlag umkehren	12

4 Vorbereitungen 13

4.1. Maßnahmen zum Energiesparen	13
4.2. Erste Inbetriebnahme	13

5 Produkt verwenden 14

5.1. Temperatureinstelltaste.	14
5.2. Schnellgefrieren	14
5.3. Urlaubsfunktion	14
5.4. Thermostateinstelltaste.	16
5.5. Abtauen.	16
5.6. Anzeigefeld	17
5.7. Anzeigefeld	18
5.8. Anzeigefeld	20
5.9. Anzeigefeld	23
5.10. Eisbehälter	25
5.11. Eierhalter	25
5.12. Lüfter.	25
5.13. Gemüsefach	25
5.14. 0-Grad-Fach	25

5.15. Das zweite Gemüsefach des Produktes verwenden	26
5.16. Bewegliche Türablage.	27
5.17. Verschiebbarer Vorratsbehälter	27
5.18. HerbBox/HerbFresh	27
5.19. Feuchtigkeitskontrolliertes Gemüsefach.	28
5.20. Automatischer Eisbereiter	28
5.21. Eisbereiter und Eisbehälter	29
5.22. Wasserspender	30
5.23. So benutzen Sie den Wasserspender.	30
5.24. Wassertank reinigen	30
5.25. Tropfschale	32
5.26. Frische Lebensmittel tiefkühlen.	33
5.27. Empfehlungen zur Lagerung gefrorener Lebensmittel.	33
5.28. Hinweise zum Tiefkühlbereich	33
5.33. Blaues Licht/HarvestFresh	34
5.29. Lebensmittel einlagern	34
5.30. Tür-offen-Alarm	34
5.31. Wechseln des Türanschlags	34
5.32. Innenbeleuchtung.	34

6 Wartung und Reinigung 35

6.1. Unangenehme Gerüche verhindern	35
6.2. Kunststoffflächen schützen	35
6.3. Innenfläche reinigen	35
6.4. Edelstahl-Außenflächen	36
6.5. Produkte mit Glastüren reinigen	36

7 Problemlösung 37

1 Wichtige Hinweise zu Sicherheit und Umwelt

Dieses Kapitel enthält Sicherheitshinweise, die Ihnen dabei helfen, die Gefahr von Verletzungen oder Sachschäden zu verhindern. Bei Nichtbeachtung dieser Anweisungen erlöschen sämtliche Gewährleistungen.

Bestimmungsgemäßer Einsatz

ACHTUNG:

Stellen Sie sicher, dass die Entlüftungsöffnungen am Aufstellort des Gerätes nicht blockiert sind.

ACHTUNG:

Um den Auftauvorgang zu beschleunigen, keine anderen mechanischen Geräte oder Geräte verwenden, die nicht vom Hersteller empfohlen sind.

ACHTUNG:

Dem Kühlmittelkreislauf keine Schäden zufügen.

ACHTUNG:

In den Lebensmittelaufbewahrungsfächern keine Geräte verwenden, die nicht vom Hersteller empfohlen sind.



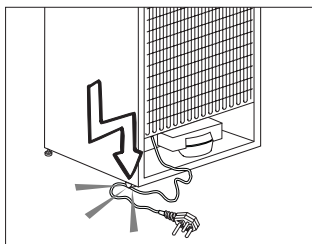
Dieses Gerät ist für die private Nutzung oder für den Gebrauch bei folgenden ähnlichen Anwendungen konzipiert worden

- In Personalküchen in Geschäften, Büros und anderen Arbeitsumgebungen;
- In Bauernhöfen, Hotels, Motels und anderen Unterkünften, für den Gebrauch der Kunden;
- Umgebungen mit Übernachtung und Frühstück;

1.1. Allgemeine Hinweise zu Ihrer Sicherheit

- Personen mit körperlichen, sensorischen oder geistigen Behinderungen, oder die sich mit dem Gerät nicht auskennen, sollten es nicht nutzen. Kinder sollten nicht daran spielen oder hineinklettern.

- Die Nichteinhaltung der Anweisungen zum Gerät oder eine unkontrollierte Nutzung des Gerätes könnten zu gefährlichen Situationen führen!
- Ziehen Sie den Netzstecker, falls während der Benutzung eine Störung auftritt.
- Falls das Produkt nicht richtig funktioniert, darf es erst nach Reparatur durch einen autorisierten Serviceanbieter in Betrieb genommen werden. Stromschlaggefahr!
- Schließen Sie das Gerät an eine geerdete Steckdose an, die mit einer Sicherung, die dem Wert auf dem Typenschild entspricht, ausgestattet ist. Lassen Sie das Produkt von einem qualifizierten Elektriker erden. Unser Unternehmen übernimmt keine Verantwortung für Schäden aufgrund einer nicht gemäß den örtlichen Bestimmungen geerdeten Steckdose.
- Ziehen Sie den Netzstecker, wenn Sie das Gerät nicht nutzen.
- Lassen Sie niemals Wasser direkt auf das Gerät gelangen; auch nicht zum Reinigen! Stromschlaggefahr!
- Berühren Sie den Netzstecker niemals mit feuchten oder gar nassen Händen!
- Trennen Sie das Gerät niemals durch Ziehen am Kabel vom Stromnetz. Greifen Sie beim Ziehen immer am Stecker.



- Achten Sie beim Aufstellen des Gerätes darauf, dass das Netzkabel nicht eingeklemmt oder anderweitig beschädigt wird.

Hinweise zu Sicherheit und Umwelt

- Platzieren Sie nicht mehrere Mehrfachsteckdosen oder Netzteile hinter dem Gerät.
- Schließen Sie den Kühlschrank nicht an lose Steckdosen an.
- Verbinden Sie Ihren Kühlschrank nie mit Energiesparvorrichtungen. Solche Systeme können dem Gerät schaden.
- Sorgen Sie dafür, dass das Gerät bei Installation, Pflege, Reinigung und Reparaturen komplett vom Stromnetz getrennt wird.
- Überlassen Sie die Produktaufstellung und den elektrischen Anschluss immer einem **autorisierten Serviceanbieter**. Der Hersteller übernimmt keine Verantwortung für Schäden, die durch von nicht autorisierten Personen ausgeführten Arbeitsschritten verursacht werden.
- Verzehren Sie Speiseeis und Eiswürfel nicht unmittelbar nach der Entnahme aus dem Tiefkühlbereich! Andernfalls kann es zu Erfrierungen an den Lippen kommen.
- Berühren Sie gefrorene Lebensmittel nicht mit feuchten Händen! Die Lebensmittel können an den Händen festfrieren!
- Bewahren Sie Getränke in Flaschen und Dosen niemals im Tiefkühlbereich auf. Sie können platzen!
- Verwenden Sie zum Reinigen oder Abtauen des Kühlschranks niemals Dampf oder Dampfreiniger. Wenn Dampf mit spannungsführenden Teilen in Ihrem Kühlschrank in Berührung kommt, drohen Kurzschlüsse und Stromschläge!
- Nutzen Sie keine mechanischen oder anderen Hilfsmittel, um das Gerät abzutauen – es sei denn, solche Hilfsmittel werden ausdrücklich vom Hersteller empfohlen.
- Missbrauchen Sie niemals Teile Ihres Kühlschranks (z. B. Tür oder Schubladen) als Befestigungen oder Kletterhilfen. Mit anderen Worten: Stellen Sie sich niemals auf Teile Ihres Kühlschranks, hängen Sie sich nicht daran. Dies gilt natürlich auch für Kinder. Andernfalls kann das Gerät umkippen und beschädigt werden.
- Achten Sie darauf, den Kühlkreislauf keinesfalls mit Bohr- oder Schneidwerkzeugen zu beschädigen. Das Kühlmittel kann herausspritzen, wenn die Gaskanäle des Verdunsters, Rohr- und Schlauchleitungen oder Oberflächenversiegelungen beschädigt werden. Dies kann zu Hautreizungen und Augenverletzungen führen.
- Decken Sie keinerlei Belüftungsöffnungen des Kühlschranks ab.
- Lagern Sie hochprozentige alkoholische Getränke gut verschlossen und aufrecht.
- Benutzen Sie keine Sprays in der Nähe des Gerätes; es besteht eine gewisse Brand- und Explosionsgefahr!
- Bewahren Sie in dem Gerät niemals entflammbare oder explosive Produkte auf oder solche, die entflammbare oder explosive Gase (z. B. Spray) enthalten.
- Stellen Sie keine mit Flüssigkeiten gefüllten Gegenstände auf dem Produkt ab. Falls Wasser oder

Hinweise zu Sicherheit und Umwelt

- andere Flüssigkeiten an elektrische Teile gelangen, kann es zu Stromschlägen oder Bränden kommen.
- Bewahren Sie Gegenstände, die eine präzise Temperatureinstellung benötigen (wie Impfstoffe, hitzeempfindliche Medikamente, wissenschaftliche Materialien usw.) nicht im Kühlschrank auf.
 - Ziehen Sie den Netzstecker und entnehmen Sie die Lebensmittel, falls das Produkt voraussichtlich längere Zeit nicht benutzen.
 - Falls der Kühlschrank über ein blaues Licht verfügt, blicken Sie nicht mit optischen Werkzeugen in dieses Licht.
 - In Bezug auf die elektrische Sicherheit besteht Gefahr, wenn das Produkt Regen, Schnee, direkter Sonneneinstrahlung und Wind ausgesetzt wird.
 - Bei Geräten mit mechanischer Temperaturregelung (Thermostat) warten Sie nach Unterbrechungen der Stromversorgung grundsätzlich mindestens 5 Minuten lang ab, bevor Sie den Netzstecker wieder einstecken.
 - Überladen Sie den Kühlschrank nicht. Gegenstände im Kühlschrank könnten herunterfallen und Verletzungen oder Schäden verursachen, wenn die Tür geöffnet wird. Ähnliche Probleme können auftreten, wenn ein Gegenstand auf dem Produkt platziert wird.
 - Falls das Gerät einen Türgriff hat, bewegen Sie es nicht durch Ziehen am Griff. Der Griff könnte sich lockern.
 - Achten Sie darauf, dass Ihre Hände sowie andere Körperteile nicht zwischen die beweglichen Teile des Kühlschranks geraten.
 - Stecken Sie weder Ihre Hand noch irgendwelche Gegenstände in den Eisbereiter, während er in Betrieb ist.
 - Kinder im Alter von 3 bis 8 Jahren dürfen Kühlgeräte ein- und ausräumen.
 - Vermeiden Sie durch Einhaltung der folgenden Anweisungen Lebensmittelkontamination:
 - Durch langes Öffnen der Tür kann die Temperatur in den Fächern des Gerätes drastisch ansteigen.
 - Reinigen Sie die Oberflächen, die mit Lebensmitteln in Berührung kommen, sowie zugängliche Ableitungssysteme regelmäßig.
 - Reinigen Sie Wassertanks, wenn diese 48 Stunden lang nicht benutzt wurden; spülen Sie das an die Wasserversorgung angeschlossene Wassersystem durch, falls 5 Tage lang kein Wasser entnommen wurde.
 - Bewahren Sie rohes Fleisch und Fisch in geeigneten Behältern im Kühlschrank auf, damit diese nicht mit anderen
 - Lebensmitteln in Berührung kommen.
 - Zwei-Sterne-Gefrierfächer eignen sich zur Aufbewahrung von Tiefkühlkost, zur Lagerung oder Herstellung von Speiseeis und zur Herstellung von Eiswürfeln.
 - Ein-, Zwei- und Drei-Sterne-Fächer eignen sich nicht zum Einfrieren frischer Lebensmittel.

Hinweise zu Sicherheit und Umwelt

- Falls das Kühlgerät lange Zeit leer bleibt, sollten Sie es abschalten, abtauen, reinigen, trocknen und die
- Tür geöffnet lassen, damit sich kein Schimmel im Gerät bildet.
- Achten Sie beim Aufstellen des Gerätes darauf, dass das Netzkabel nicht eingeklemmt oder anderweitig beschädigt wird.
- Platzieren Sie nicht mehrere Mehrfachsteckdosen oder Netzteile hinter dem Gerät.

1.1.1 Kohlenwasserstoff-Warnung

- Falls das Kühlsystem Ihres Produktes R600a enthält:
Dieses Gas ist leicht entflammbar. Achten Sie also darauf, Kühlkreislauf und Leitungen während Betrieb und Transport nicht zu beschädigen. Halten Sie das Produkt bei Schäden von möglichen Feuerquellen fern und belüften Sie den Raum, in dem das Produkt aufgestellt ist.

	Halten Sie sich vom Gas fern, falls das Produkt beschädigt ist und offensichtlich Gas austritt. Es kann bei Hautkontakt Erfrierungen verursachen. (Einschließlich R134)
	Ignorieren Sie diese Warnung, falls das Kühlsystem Ihres Produktes R134a enthält.
	Die Art des im Produkt eingesetzten Gases wird auf dem Typenschild an der linken Innenwand des Kühlschranks angegeben.
	WARNUNG: Entsorgen Sie das Produkt keinesfalls durch Verbrennen.

1.1.2 Bei Produkten mit Wasserspender/Eisbereiter

- Der Druck für die Kaltwasserzufuhr sollte maximal 90 psi (620 kPa) betragen. Wenn der Wasserdruck in Ihrem Haushalt 80 psi (550 kPa) übersteigt, verwenden Sie bitte ein Druckbegrenzungsventil in Ihrem Leitungssystem. Sollten Sie nicht wissen, wie der Wasserdruck gemessen wird, ziehen Sie bitte einen Fachinstallateur hinzu.
- Falls die Gefahr von Wasserschlägen in Ihrer Installation besteht, nutzen Sie immer eine Wasserschlag-Präventionsausrüstung in dieser Installation. Wenden Sie sich an einen professionellen Klempner, wenn Sie nicht sicher sind, ob bei Ihrer Installation die Gefahr eines Wasserschlags besteht.
- Nehmen Sie keine Installation am Warmwasserzulauf vor.
- Nutzen Sie ausschließlich Trinkwasser.
- Schützen Sie die Schläuche mit geeigneten Maßnahmen vor Frost. Der Wassertemperaturbereich muss zwischen 0,6 und 38 °C liegen.

	WARNUNG: Schließen Sie das Produkt niemals an einen Kaltwasseranschluss mit einem Druck von 550 kPa oder mehr an.
---	---

1.2. Bestimmungsgemäßer Einsatz

- Dieses Gerät ist zur Nutzung im Haushalt vorgesehen. Es eignet sich nicht zum kommerziellen Einsatz und darf nur für seinen bestimmungsgemäßen Einsatzzweck verwendet werden.

Hinweise zu Sicherheit und Umwelt

- Es darf nur zur Aufbewahrung von Lebensmitteln genutzt werden.
- Der Hersteller übernimmt keine Verantwortung für Schäden aufgrund von unsachgemäßem Gebrauch oder Transport.
- Originalersatzteile sind ab Kaufdatum des Produktes 10 Jahre erhältlich.

1.3. Sicherheit von Kindern

- Wenn Sie ein Schloss an der Gerätetür haben, sollte der Schlüssel außerhalb der Reichweite von Kindern aufbewahrt werden.
- Kinder dürfen nicht mit dem Gerät spielen.

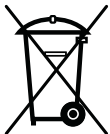


GEFAHR:

Bevor Sie Ihr Altgerät entsorgen:

- Kinder könnten sich im Inneren des Gerätes einsperren.
- Entfernen Sie die Türen.
- Lassen Sie die Ablagen im Gerät, damit Kinder nicht so einfach in das Produkt gelangen.

1.4. Erfüllung der WEEE-Vorgaben zur Entsorgung von Altgeräten:



Dieses Produkt erfüllt die Vorgaben der europäischen WEEE-Richtlinie (2012/19/EU). Das Gerät wurde mit einem Klassifizierungssymbol für elektrische und elektronische Altgeräte (WEEE) gekennzeichnet.

Dieses Gerät wurde aus hochwertigen Materialien hergestellt, die wiederverwendet und recycelt werden können. Entsorgen Sie das Gerät am Ende seiner Einsatzzeit daher nicht mit dem regulären Hausmüll oder anderen Abfällen. Bringen Sie das Gerät zu einer Sammelstelle zum Recycling von elektrischen und elektronischen Geräten. Ihre Stadtverwaltung informiert Sie gerne über geeignete Sammelstellen in Ihrer Nähe.

1.5. Einhaltung von RoHS-Vorgaben:

Das von Ihnen erworbene Gerät erfüllt die Anforderungen der europäischen RoHS-Richtlinie (2011/65/EU). Es enthält keine in der Direktive angegebenen gefährlichen oder unzulässigen Materialien.

1.6. Verpackungsinformationen

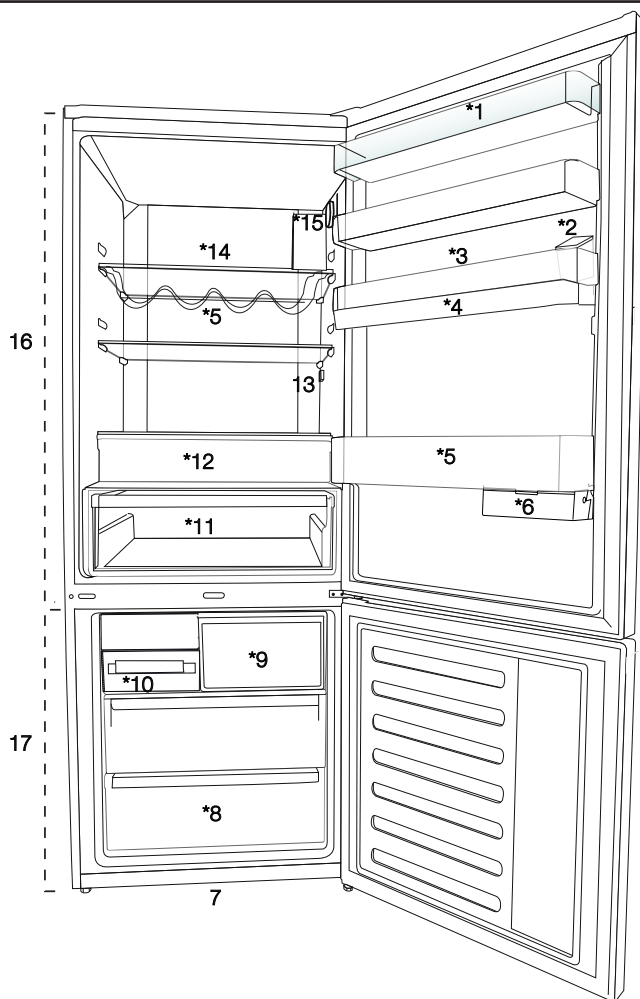
- Die Verpackungsmaterialien des Gerätes wurden gemäß nationalen Umweltschutzbestimmungen aus recyclingfähigen Materialien hergestellt. Entsorgen Sie Verpackungsmaterialien nicht mit dem normalen Hausmüll oder anderen Abfällen. Bringen Sie diese Materialien zu einer von Ihrer Stadtverwaltung vorgesehenen Recyclingstelle.



GEFAHR:

Brand- oder Explosionsgefahr:

- Dieses Produkt nutzt ein entflammendes Kühlmittel.
- Tauen Sie den Kühlschrank nicht mit mechanischen Geräten ab.
- Verwenden Sie zur Reinigung keine Chemikalien.
- Durchstechen Sie die Kühlmittelleitung nicht.
- Falls die Kühlmittelleitung durchstochen wird, darf sie nur von autorisiertem Servicepersonal repariert werden.
- Bitte wenden Sie sich vor der Reinigung des Produktes an die Reparatur- / Bedienungsanleitung. Alle Sicherheitshinweise müssen befolgt werden.
- Entsorgen Sie das Produkt entsprechend den staatlichen oder örtlichen Vorschriften.



- | | |
|-----------------------------------|-----------------------------|
| 1. Kühlbereich-Türablage | 11. Gemüsefach |
| 2. Wasserspender-Befüllung | 12. 0-Grad-Fach |
| 3. Eierhalter | 13. Innenbeleuchtung |
| 4. Wasserspender-Tank | 14. Kühlbereichglasablage |
| 5. Flaschenablage | 15. Temperatureinstelltaste |
| 6. Verschiebbarer Vorratsbehälter | 16. Kühlbereich |
| 7. Einstellbare Füße | 17. Tiefkühlbereich |
| 8. Tiefkühlbereich | |
| 9. Schnellgefrierfach | |
| 10. Eisbereiter und Eisbehälter | |

Trifft möglicherweise nicht auf alle Modelle zu






*** Optional:** Die Abbildungen in dieser Anleitung dienen lediglich der Veranschaulichung und müssen nicht absolut exakt mit Ihrem Produkt übereinstimmen. Falls Ihr Produkt nicht über die entsprechenden Teile verfügt, betreffen die Informationen andere Modelle.

3 Installation

3.1. Der richtige Aufstellungsort

Wenden Sie sich zur Aufstellung des Gerätes an den autorisierten Kundendienst. Bereiten Sie das Gerät auf die Aufstellung vor, indem Sie die Informationen in der Bedienungsanleitung beachten und sicherstellen, dass Strom- und Wasseranschlüsse wie erforderlich vorhanden sind. Falls nicht, wenden Sie sich zum Nachrüsten an einen Elektriker oder Klempner.

	WARNUNG: Der Hersteller haftet nicht für jegliche Schäden, die durch Arbeiten entstanden sind, die nicht von autorisierten Personen durchgeführt wurden.
	WARNUNG: Bei der Aufstellung muss das Gerät vollständig vom Stromnetz getrennt sein. Andernfalls drohen ernsthafte oder sogar tödliche Verletzungen!
	WARNUNG: Falls das Gerät nicht durch die Tür passt, entfernen Sie die Gerätetür und drehen Sie das Gerät auf die Seite; falls es dennoch nicht passt, wenden Sie sich an den autorisierten Kundendienst.

- Stellen Sie das Gerät auf einem flachen Untergrund auf, damit es weder wackelt noch kippt.
- Stellen Sie das Gerät mindestens 30 cm von Heizungen, Öfen und ähnlichen Wärmequellen auf; halten Sie einen Mindestabstand von 5 cm zu elektrischen Öfen ein.
- Setzen Sie das Gerät keinem direkten Sonnenlicht und keinen feuchten Umgebungen aus.
- Damit das Gerät effizient arbeitet, ist eine angemessene Luftzirkulation erforderlich.
- Falls Sie das Gerät in einer Nische aufstellen, achten Sie darauf, dass mindestens 5 cm zur Decke und zu den Wänden frei bleiben.
- Stellen Sie das Gerät nicht in Umgebungen mit Temperaturen unter -5 °C auf.
- Ihr Produkt benötigt eine ausreichende Luftzirkulation, um effizient zu funktionieren. Wenn das Produkt in eine Nische gestellt wird, denken Sie daran, mindestens 5 cm Abstand zwischen dem Produkt und der Decke, der Rückwand und den Seitenwänden zu lassen.
- Wenn das Produkt in eine Nische gestellt wird, denken Sie daran, mindestens 5 cm Abstand zwischen dem Produkt und der Decke, der Rückwand und den Seitenwänden zu lassen. Prüfen Sie, ob die Rückwand-Abstandsschutzkomponente an ihrem Standort vorhanden ist (falls mit dem

Produkt geliefert). Wenn die Komponente nicht verfügbar ist oder verloren geht oder heruntergefallen ist, positionieren Sie das Produkt so, dass zwischen der Rückseite des Produkts und der Wand des Raums mindestens 5 cm Abstand verbleiben. Der Freiraum an der Rückseite ist wichtig für den effizienten Betrieb des Produkts.

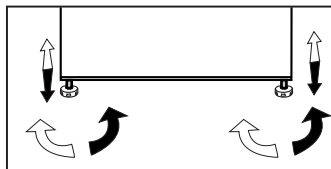
3.2. Kunststoffkeile anbringen

Sorgen Sie zur Gewährleistung einer angemessenen Luftzirkulation mit Hilfe der mitgelieferten Kunststoffkeile für genügend Platz zwischen dem Gerät und der Wand.


1. Zur Befestigung der Keile entfernen Sie die Schrauben am Produkt und verwenden die mit den Keilen gelieferten Schrauben.
2. Befestigen Sie die beiden Kunststoffkeile wie in der Abbildung gezeigt an der Abdeckung der Belüftungsöffnungen.

3.3. Füße einstellen

Falls das Produkt nicht exakt in Waage steht, passen Sie die vorderen einstellbaren Füße durch Drehen nach rechts oder links an.



3.4. Stromanschluss

	WARNUNG: Verwenden Sie keine Mehrfachsteckdosen oder Verlängerungskabel.
	WARNUNG: Beschädigte Netzkabel müssen vom autorisierten Kundendienst ausgetauscht werden.
	Wenn Sie zwei Kühlgeräte nebeneinander aufstellen, halten Sie einen Mindestabstand von 4 cm zwischen den Geräten ein.

- Unser Unternehmen haftet nicht für jegliche Schäden, die durch eine Inbetriebnahme ohne Erdung oder einen nicht mit nationalen Richtlinien übereinstimmenden Stromanschluss verursacht werden.
- Der Netzstecker muss nach der Installation frei zugänglich bleiben.

3 Installation

- Verwenden Sie zwischen Steckdose und Kühlschrank keine Mehrfachsteckdose mit oder ohne Verlängerungskabel.

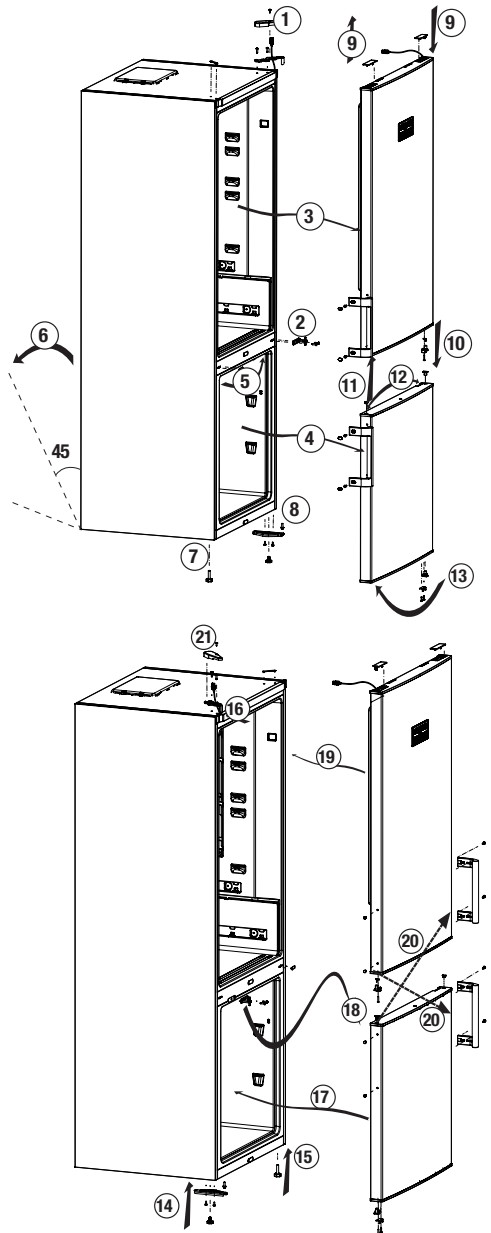


Achtung: Warnung vor heißen Oberflächen
Die Seitenwände Ihres Geräts sind mit Kühlmittelleitungen für ein verbessertes Kühlsystem ausgestattet. Kühlmittel mit hohen Temperaturen können in diesen Bereichen 2der Seitenwände fließen. Das ist normal und erfordert keinerlei Reparatur oder Wartung. Bitte seien Sie vorsichtig, wenn Sie diese Bereiche berühren.

Installation

3.5. Türanschlag umkehren

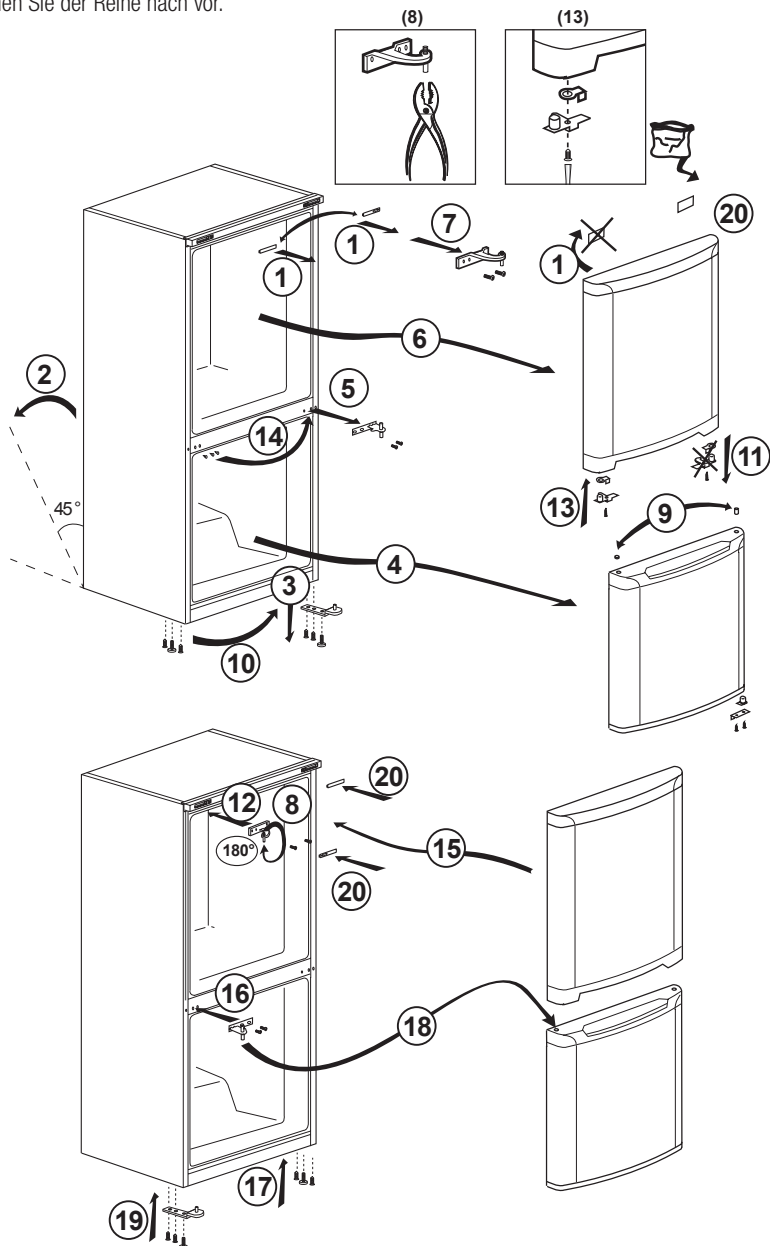
Gehen Sie der Reihe nach vor.



Installation

3.6. Türanschlag umkehren

Gehen Sie der Reihe nach vor.

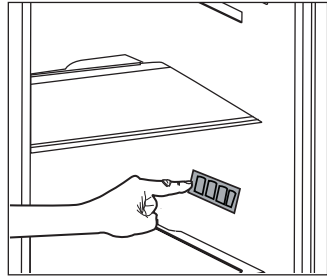


4.1. Maßnahmen zum Energiesparen



Der Anschluss des Gerätes an Energiesparsysteme birgt Risiken, da Schäden am Gerät auftreten können.

- Für ein freistehendes Gerät; „Dieses Kühlgerät darf nicht als Einbaugerät verwendet werden.“
- Gerätetüren nicht längere Zeit offen stehen lassen.
- Keine warmen oder gar heißen Lebensmittel oder Getränke in den Kühlschrank geben.
- Kühlschrank nicht überladen; wird der interne Luftstrom blockiert, verringert sich die Kühlkapazität.
- Damit Sie die maximale Menge Lebensmittel im Kühlbereich Ihres Kühlschranks einlagern können, sollten Sie die oberen Schubladen herausnehmen und auf die Glasablage stellen. Der angegebene Energieverbrauch Ihres Kühlschranks wurde ohne Kühlbereich, Eisablage und obere Schubladen zur Erzielung maximalen Stauraums ermittelt. Beim Einlagern wird die Verwendung der unteren Schublade dringend empfohlen. Für optimalen Energieverbrauch sollte die Energiesparfunktion aktiviert werden.
- Platzieren Sie Lebensmittel nicht vor dem Lüfter, damit die Luftzirkulation nicht blockiert wird. Halten Sie beim Verstauen von Lebensmitteln einen Mindestabstand von 3 cm vor dem Schutzgitter des Lüfters ein.
- Je nach Produktmerkmalen können Sie durch Auftauen gefrorener Lebensmittel im Kühlbereich Energie sparen und die Qualität der Lebensmittel bewahren.
- Lebensmittel sollten zur Gewährleistung eines geringen Energieverbrauchs und zum Schutz der Lebensmittel unter besseren Bedingungen in den Schubladen im Kühlbereich verstaut werden.
- Verpackte Lebensmittel sollten den Wärmesensor im Kühlfach nicht berühren. Andernfalls kann sich der Energieverbrauch des Gerätes erhöhen.
- Achten Sie darauf, dass Lebensmittel nicht den nachstehend beschriebenen Temperatursensor im Kühlbereich berühren.
- Da bei geöffneten Türen heiße und feuchte Luft nicht direkt in Ihr Produkt eindringt, optimiert sich Ihr Produkt unter ausreichenden Bedingungen zum Schutz Ihrer Lebensmittel. Funktionen und Komponenten wie Kompressor, Gebläse, Heizgerät, Abtaufunktion, Beleuchtung, Anzeige usw. arbeiten entsprechend den Anforderungen, um unter diesen Bedingungen minimale Energie zu verbrauchen.



4.2. Erste Inbetriebnahme

Stellen Sie vor Inbetriebnahme Ihres Kühlschranks sicher, dass die erforderlichen Vorbereitungen entsprechend den Anweisungen in den Abschnitten „Hinweise zu Sicherheit und Umwelt“ und „Installation“ getroffen wurden.

- Lassen Sie den Kühlschrank etwa 6 Stunden lang leer arbeiten; verzichten Sie in dieser Zeit möglichst vollständig auf das Öffnen der Türen.



Beim Anspringen des Kompressors sind Geräusche zu hören. Es ist normal, dass das Gerät auch bei inaktivem Kompressor Geräusche macht; diese werden durch komprimierte Flüssigkeiten und Gase im Kühlsystem verursacht.



Die Vorderkanten des Kühlschranks können sich etwas erwärmen. Dies ist völlig normal. Diese Bereiche wärmen sich etwas auf, damit sich kein Kondenswasser bildet.



Bei einigen Modellen verdunkelt sich das Anzeigefeld automatisch 5 Minuten nach Schließen der Tür. Beim Öffnen der Tür oder bei Betätigung einer Taste wird es wieder aktiviert.

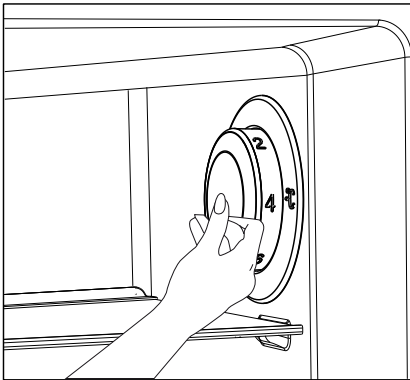
5.1. Temperatureinstelltaste

Die Innentemperatur Ihres Kühlschranks hängt teilweise von folgenden Einflüssen ab:

- Umgebungstemperatur
- Häufiges Öffnen der Tür, Offenstehen der Tür über längere Zeit
- Einlagern von Lebensmitteln, ohne diese zuvor auf Raumtemperatur abkühlen zu lassen.
- Platzierung des Kühlschranks innerhalb des Raumes (z. B. im direkten Sonnenlicht).
- Da die Innentemperatur aufgrund solcher Faktoren variieren kann, können Sie sie über den Temperatureinstellknopf anpassen.

Die Ziffern rund um den Einstellknopf zeigen die Temperatur in „°C“.

Falls die Umgebungstemperatur 20 °C beträgt, sollten Sie die Kühlschranktemperatur auf 4 °C anpassen. Bei anderen Umgebungstemperaturen kann dieser Wert angepasst werden.



5.2. Schnellgefrieren

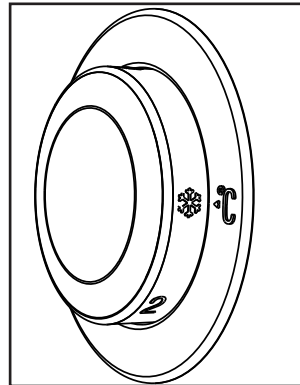
Wenn Sie große Mengen frischer Lebensmittel einfrieren möchten, stellen Sie den Temperatureinstellknopf auf die Position (❄️) ein, bevor Sie die Lebensmittel in den Tiefkühlbereich geben.

Wir empfehlen, den Knopf mindestens 24 Stunden lang in dieser Position zu belassen – so können Sie die maximale Menge an Gefriergut verarbeiten. Achten Sie vor allem darauf, gefrorene und frische Lebensmittel nicht zu vermischen.

Denken Sie daran, den Temperatureinstellknopf anschließend auf seine vorherige Position einzustellen.

5.3. Urlaubsfunktion

Falls die Gerätetüren (🔒) mindestens 12 Stunden lang nach Anpassung des Temperatureinstellknopfs auf die höchste Position nicht geöffnet werden, wird automatisch die Urlaubsfunktion aktiviert.



Trifft möglicherweise nicht auf alle Modelle zu

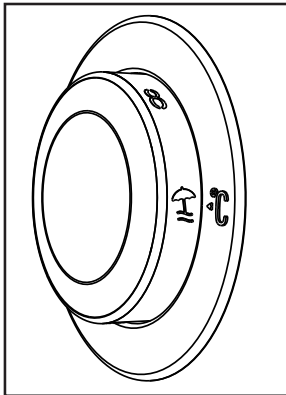


* **Optional:** Die Abbildungen in dieser Anleitung dienen lediglich der Veranschaulichung und müssen nicht absolut exakt mit Ihrem Produkt übereinstimmen. Falls Ihr Produkt nicht über die entsprechenden Teile verfügt, betreffen die Informationen andere Modelle.

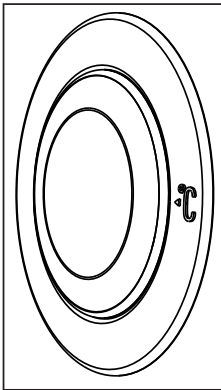
Produkt verwenden

Zum Abbrechen der Funktion muss der Knopf auf eine andere Position eingestellt werden.

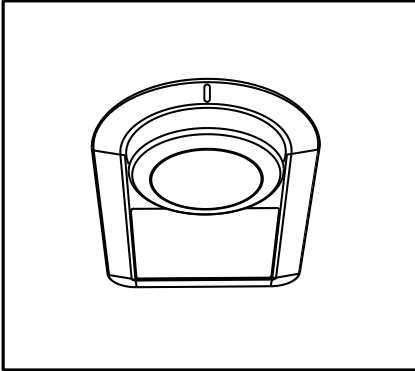
Wir raten davon ab, Lebensmittel bei aktiver Urlaubsfunktion im Kühlbereich aufzubewahren.



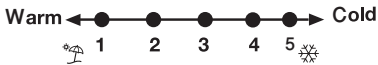
- Nach Abschluss der Einstellung können Sie den Temperatureinstellknopf durch Hineindrücken verbergen.



Produkt verwenden



Die Betriebstemperatur wird über die Temperatursteuerung reguliert.



1=Schwächste Kühlung (wärmste Einstellung)

4=Stärkste Kühlung (kälteste Einstellung)

Die Durchschnittstemperatur im Inneren des Kühlschranks sollte bei etwa +5 °C liegen.

Bitte wählen Sie die der gewünschten Temperatur entsprechende Einstellung.

Bitte beachten Sie, dass im Kühlbereich unterschiedliche Temperaturen herrschen.

Der kälteste Bereich befindet sich unmittelbar über dem Gemüsefach.

Die Innentemperatur hängt auch von der Umgebungstemperatur ab, außerdem davon, wie oft die Tür geöffnet wird und wie viel Lebensmittel im Inneren gelagert werden.

Beim häufigen Öffnen der Tür steigt die Innentemperatur an.

Aus diesem Grund empfehlen wir, die Tür möglichst schnell wieder zu schließen.

5.4. Thermostateinstelltaste

Die Innentemperatur Ihres Kühlschranks hängt teilweise von folgenden Einflüssen ab:

- Umgebungstemperatur
- Häufigkeit der Türöffnungen, Offenstehen der Tür über längere Zeit

- Einlagern von Lebensmitteln, ohne diese zuvor auf Raumtemperatur abkühlen zu lassen
- Platzierung des Kühlschranks innerhalb des Raumes (z. B. im direkten Sonnenlicht).
- Zum Anpassen der Innentemperatur an solche Einflüsse benutzen Sie das Thermostat. Die Zahlen rund um die Thermostateinstelltaste zeigen die Kühlungsleistung an.
- Falls die Umgebungstemperatur mehr als 32 °C beträgt, wählen Sie die höchstmögliche Thermostateinstellung.
- Sofern die Umgebungstemperatur weniger als 25 °C beträgt, wählen Sie die geringste Thermostateinstellung.

5.5. Abtauen

Kühlbereich

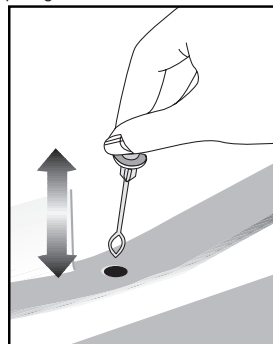
Der Kühlbereich taut vollautomatisch ab. Im Betrieb können sich Wassertropfen und eine 7 – 8 mm starke Eisschicht an der Innenwand des Kühlbereiches absetzen. Dies ist vollkommen normal und ein Nebeneffekt des Kühlungssystems. Dank des automatischen Abtausystems an der Rückwand wird das Eis in bestimmten Abständen automatisch abgetaut. Weder Eis noch Wassertropfen müssen manuell entfernt werden.

Beim Abtauen läuft das Tauwasser in die Ablaufrinne und fließt anschließend zum Verdampfer – hier verdunstet das Wasser automatisch.

Der Tiefkühlbereich wird nicht automatisch abgetaut, da es ansonsten schnell zum Verderben gefrorener Lebensmittel kommen könnte.

Der Tiefkühlbereich taut automatisch ab.

Überzeugen Sie sich regelmäßig davon, dass der Ablauf nicht verstopft ist; beseitigen Sie eventuelle Verstopfungen mit dem Stäbchen.



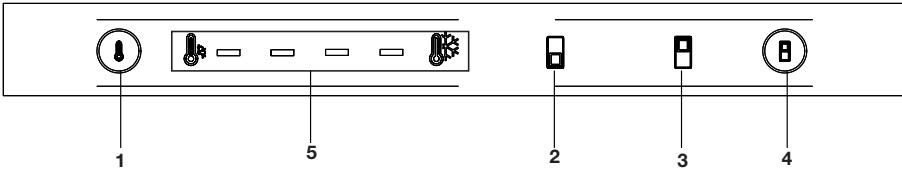
Trifft möglicherweise nicht auf alle Modelle zu

Produkt verwenden

5.6. Anzeigefeld

Die Anzeigefelder können je nach Modell etwas anders ausfallen.

Audiovisuelle Funktionen am Anzeigefeld helfen Ihnen bei der Bedienung Ihres Gerätes.



1. Taste zur Änderung des Kühlwertes: Dient der Anpassung des Kühlwertes von Kühl- und Tiefkühlbereich. Wenn Sie diese Taste drücken, während die Tiefkühlbereichsanzeige (2) leuchtet, ändert sich die Kühlung des Tiefkühlbereichs. Wenn Sie diese Taste drücken, während die Kühlbereichsanzeige (3) leuchtet, ändert sich die Kühlung des Kühlbereichs.
2. Tiefkühlbereichsanzeige: Wenn diese Anzeige aktiv ist, wird der aktuelle Kühlwert des Tiefkühlbereichs an der Kühlanzeige (5) angezeigt. Sie können die Taste zum Ändern des Kühlwertes (1) drücken, um den Kühlwert des Tiefkühlbereichs zu ändern.
3. Kühlbereichsanzeige: Wenn diese Anzeige aktiv ist, wird der aktuelle Kühlwert des Kühlbereichs an der Kühlanzeige (5) angezeigt. Sie können die Taste zum Ändern des Kühlwertes (1) drücken, um den Kühlwert des Kühlbereichs zu ändern.
4. Kühlbereichsauswahl Taste: Dient der Auswahl von Kühl- und Tiefkühlbereich.
5. Kühlanzeige: Zeigt den Kühlwert des ausgewählten Bereichs. Kühlwert erhöht von links nach rechts.

Trifft möglicherweise nicht auf alle Modelle zu



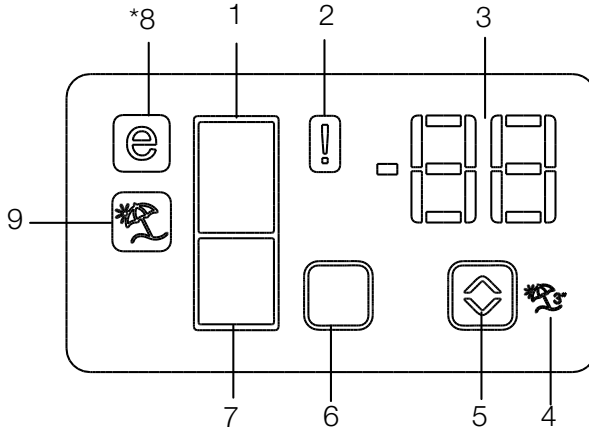
* **Optional:** Die Abbildungen in dieser Anleitung sind skizzenhaft und stimmen möglicherweise nicht exakt mit Ihrem Produkt überein. Falls Ihr Produkt nicht über die entsprechenden Teile verfügt, betreffen die Informationen andere Modelle.

Produkt verwenden

5.7. Anzeigefeld

Die Anzeigefelder können je nach Modell etwas anders ausfallen.

Audiovisuelle Funktionen am Anzeigefeld helfen Ihnen bei der Bedienung Ihres Gerätes.



1. Anzeige Kühlbereich
2. Anzeige Fehlerzustand
3. Temperatureinstellanzeige
4. Die Ferienfunktion-Taste (Drücken Sie die Taste 5 für 3 Sekunden)
5. Temperatureinstellungsknopf
6. Bereichsauswahl-Taste
7. Anzeige Tiefkühlbereich-Schubladen
8. Anzeige Eco-Modus
9. Ferienfunktion-Taste

Trifft möglicherweise nicht auf alle Modelle zu



* **Optional:** Die Abbildungen in dieser Anleitung sind skizzenhaft und stimmen möglicherweise nicht exakt mit Ihrem Produkt überein. Falls Ihr Produkt nicht über die entsprechenden Teile verfügt, betreffen die Informationen andere Modelle.

Produkt verwenden

*optional

1. Anzeige Kühlbereich

Wenn Sie die Temperatur des Kühlbereichs einstellen möchten, wählen Sie mit der Taste 6 die Anzeige Kühlbereich aus.

2. Anzeige Fehlerzustand

Diese Anzeige () leuchtet bei Hochtemperatur- und Fehlerwarnungen.

Wenn sich die Gefrierraumtemperatur auf einen kritischen Wert für Tiefkühlkost erwärmt, zeigen diese Anzeige und die Temperaturanzeige abwechselnd die höchste vom Gefrierraum erreichte Temperatur und Temperatureinheit an.

Überprüfen Sie die Lebensmittel im Gefrierfach. Diese Anzeige wird automatisch ausgeschaltet, wenn die

Gefrierraumtemperatur auf ein ausreichendes Niveau abgekühlt ist.


Diese Anzeige () leuchtet auch auf, wenn eine Fehlfunktion des Sensors auftritt. Wenn diese Anzeige leuchtet, zeigt die Temperaturanzeige abwechselnd «E» und Zahlen wie „1,2,3 ...“ an.

Diese Zahlen im Display informieren das Servicepersonal über den Fehler.

3. Temperatureinstellanzeige

Zeigt die eingestellte Temperatur des Kühl- und Gefrierraums an.

4. Ferienfunktion-Taste

Drücken Sie die Temperatureinstellungstaste 5 für 3 Sekunden, um die Ferienfunktion zu aktivieren. Wenn die Ferienfunktion aktiviert () ist, zeigt die Temperaturanzeige des Kühlfachs «- -» an und es finden im Kühlfach keine aktiven Kühlvorgänge statt. Bei dieser Funktion ist es nicht geeignet, dass Sie Lebensmittel im Kühlfach lagern. Das Gefrierfach kühlt sich entsprechend der

eingestellten Temperatur weiter ab.

Um diese Funktion zu deaktivieren, drücken Sie erneut die Temperatureinstellungstaste 5 für 3 Sekunden.

5. Temperatureinstellungsknopf

Dient zum Einstellen der Temperatur des ausgewählten Fachs. Das Gefrierfach kann zwischen 18- °C ... 24- °C und das Kühlfach zwischen 8 °C ... 1 °C gewechselt werden.


6. Bereichsauswahl-Taste

Drücken Sie die Fachauswahlstaste () , um zwischen den Kühlfächern und Gefrierfächern zu wechseln.

7. Anzeige Gefrierfach

Wenn Sie die Temperatur des Gefrierfachs einstellen möchten, wählen Sie mit der Taste 6 die Anzeige Gefrierfach aus.

8. Anzeige Eco-Modus

Zeigt an, dass sich der Kühlschrank im Energiesparmodus befindet. Diese Anzeige () ist aktiv, wenn die

Temperatur im Gefrierfach auf 18- °C eingestellt ist.

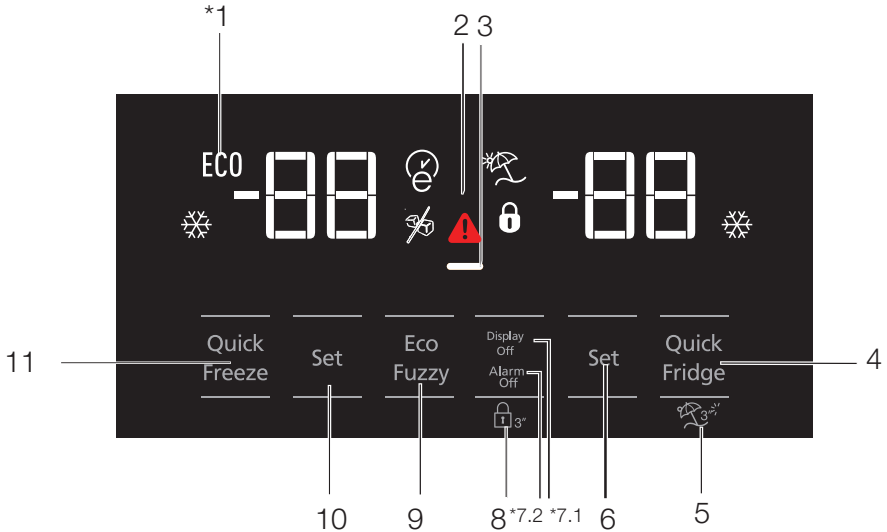
9. Anzeige Ferienfunktion

Zeigt an, dass die Ferienfunktion () aktiv ist.

Produkt verwenden

5.8. Anzeigefeld

Das Anzeigefeld ermöglicht Ihnen die Einstellung der Temperatur und die Steuerung anderer Funktionen, ohne dass Sie die Tür des Produktes öffnen müssen. Drücken Sie einfach die Beschriftungen der entsprechenden Tasten zur Funktionseinstellung.



- 1- Ökonomischer Einsatz
- 2- Hohe Temperatur / Fehleralarm
- 3- Energiesparfunktion (Display aus)
- 4- Schnellkühlen
- 5- Urlaubsfunktion
- 6- Kühlbereichtemperatureinstellung
- 7- Energiesparen (Display aus)/ Alarm-Aus-Warnung
- 8- Bedienfeldsperre
- 9- Öko-Fuzzy
- 10- Tiefkühlbereichtemperatureinstellung
- 11- Schnellgefrieren

Trifft möglicherweise nicht auf alle Modelle zu



*** Optional:** Die Abbildungen in dieser Anleitung dienen lediglich der Veranschaulichung und müssen nicht absolut exakt mit Ihrem Produkt übereinstimmen. Falls Ihr Produkt nicht über die entsprechenden Teile verfügt, betreffen die Informationen andere Modelle.

Produkt verwenden

1. Ökonomischer Einsatz

Dieses Zeichen leuchtet auf, wenn die Temperatur des Tiefkühlbereichs auf -18 °C eingestellt ist; dies ist die ökonomischste Einstellung. (ECO) Die Öko-Anzeige erlischt, wenn Schnellkühlen oder Schnellgefrieren ausgewählt werden.

2. Hohe Temperatur / Fehleralarm


Diese Anzeige () leuchtet bei Temperaturfehlern oder Fehleralarmen auf.

Diese Anzeige leuchtet bei einem Stromausfall, zu hohen Innentemperaturen und sonstigen Fehler. Bei längeren Stromausfällen blinkt die höchste Temperatur, die der Tiefkühlbereich erreichen kann, in der digitalen Anzeige. Drücken Sie nach Kontrolle der Lebensmittel im Tiefkühlfach zum Aufheben des Alarms die Alarm-aus-Taste.



3. Energiesparfunktion (Display aus)

Falls die Gerätetüren lange Zeit geschlossen bleiben, wird die Energiesparfunktion automatisch aktiviert und das Energiesparsymbol leuchtet. Bei aktiver Energiesparfunktion erlöschen sämtliche Display-Symbole mit Ausnahme des Energiesparsymbols. Die Energiesparfunktion wird aufgehoben, sobald Tasten betätigt werden oder die Tür geöffnet wird. Das Display zeigt wieder die normalen Symbole. Die Energiesparfunktion wird während der Lieferung ab Werk aktiviert und kann nicht aufgehoben werden.

4. Schnellkühlen

Wenn die Schnellkühlfunktion eingeschaltet ist, leuchtet die Schnellkühlanzeige () auf und die Temperaturanzeige des Kühlbereichs zeigt den Wert 1. Drücken Sie zum Abbrechen dieser Funktion erneut die Schnellkühl Taste. Die Schnellkühlanzeige erlischt, die normalen Einstellungen werden wiederhergestellt. Die Schnellkühlfunktion wird nach 1 Stunde automatisch abgebrochen, sofern sie nicht zuvor bereits manuell abgebrochen wurde. Zum Kühlen großer Mengen frischer Lebensmittel drücken Sie die Schnellkühl Taste, bevor Sie Lebensmittel in den Kühlbereich geben.

5. Urlaubsfunktion

Drücken Sie zum Aktivieren der Urlaubsfunktion 3 Sekunden die Taste () dadurch wird die Urlaubsmodusanzeige () aktiviert. Wenn die Urlaubsfunktion aktiv ist, zeigt die Temperaturanzeige des Kühlbereichs „-“ und der Kühlbereich wird nicht gekühlt. Diese Funktion ist nicht geeignet, um Lebensmittel im Kühlbereich aufzubewahren. Andere Bereiche werden entsprechend der für den jeweiligen Bereich eingestellten Temperatur weiterhin gekühlt. Zum Abbrechen dieser Funktion drücken Sie die **Urlaubstaste** noch einmal.

6. Kühlbereichtemperatureinstellung

Nach Betätigung der Taste kann die Kühlbereichtemperatur entsprechend auf 8, 7, 6, 5, 4, 3, 2 oder 1 eingestellt werden. ()

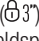

7.1 Energiesparen (Display aus)

Bei Betätigung dieser Taste () leuchtet das Energiesparsymbol () auf und die Energiesparfunktion wird aktiviert. Mit Aktivierung der Energiesparfunktion werden alle anderen Symbole am Display abgeschaltet. Wird bei aktiver Energiesparfunktion eine Taste gedrückt oder die Tür geöffnet, schaltet sich die Energiesparfunktion aus und alle Display-Signale kehren in den Normalzustand zurück. Durch erneute Betätigung dieser Taste () werden das Energiesparsymbol und die Energiesparfunktion deaktiviert.

7.2 Alarm-Aus-Warnung

Bei einem Stromausfall/Temperaturalarm drücken Sie nach Befüllen des Tiefkühlbereichs mit Lebensmitteln die Alarm-aus-Taste zum Aufheben der Warnung.


8. Bedienfeldsperre

Halten Sie die Bedienfeldsperre-Taste () 3 Sekunden lang gedrückt. Das Bedienfeldsperre-Symbol () leuchtet auf und die Bedienfeldsperre wird aktiviert. Die Tasten sind bei eingeschalteter Bedienfeldsperre inaktiv. Halten Sie die Bedienfeldsperre-Taste erneut 3 Sekunden lang gedrückt. Das Bedienfeldsperre-Symbol erlischt, die Bedienfeldsperre wird abgeschaltet.

Drücken Sie die **Bedienfeldsperre-Taste** () , wenn Sie Änderungen an den Temperatureinstellungen die Kühlschranks verhindern möchten.

Produkt verwenden

9. Öko-Fuzzy

Zum Aktivieren der Öko-Fuzzy-Funktion halten Sie die Öko-Fuzzy-Taste 1 Sekunde lang gedrückt. Wenn diese Funktion aktiv ist, wechselt der Tiefkühlbereich nach mindestens 6 Stunden in den Ökomodus, die Öko-Anzeige leuchtet auf. Zum Deaktivieren der Öko-Fuzzy-Funktion () halten Sie die Öko-Fuzzy-Taste erneut 3 Sekunden lang gedrückt.


Wenn die Öko-Fuzzy-Funktion aktiv ist, leuchtet die Anzeige nach 6 Stunden auf.

10. Tiefkühlbereichtemperatureinstellung

Die Temperatur im Tiefkühlbereich ist einstellbar. Mit der Taste kann die Temperatur des Tiefkühlbereichs auf -18, -19, -20, -21, -22, -23 oder -24 eingestellt werden. ()

11. Schnellgefrieren

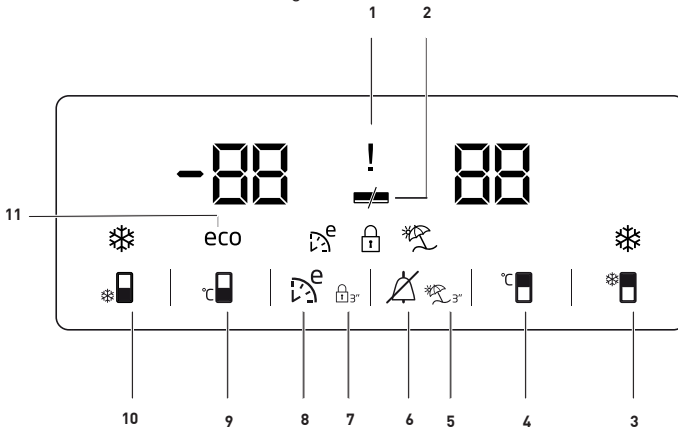
Drücken Sie zum Schnellgefrieren die Taste; dadurch wird die Schnellgefrieranzeige () aktiviert.

Wenn die Schnellgefrierfunktion eingeschaltet ist, leuchtet die Schnellgefrieranzeige auf und die Temperaturanzeige des Tiefkühlbereichs zeigt den Wert -27. Zum Aufheben dieser Funktion drücken Sie die Schnellgefrieranzeige () noch einmal. Die Schnellgefrieranzeige erlischt, die normalen Einstellungen werden wiederhergestellt. Die Schnellgefrierfunktion wird nach 24 Stunden automatisch abgebrochen, sofern sie nicht zuvor bereits manuell abgebrochen wurde. Zum Einfrieren großer Mengen frischer Lebensmittel drücken Sie die Schnellgefrieranzeige, bevor Sie Lebensmittel in den Tiefkühlbereich geben.

Produkt verwenden

5.9. Anzeigefeld

Das Anzeigefeld ermöglicht Ihnen die Einstellung der Temperatur und die Steuerung anderer Funktionen, ohne dass Sie die Tür des Geräts öffnen müssen. Drücken Sie einfach die die Inschriften auf den entsprechenden Tasten zur Funktionseinstellung.



1. Stromausfall / Hohe Temperatur / Fehlerstatusanzeige

Diese Anzeige (!) leuchtet bei Stromausfall, hohen Temperaturen und Fehlerwarnungen.

Wenn die Temperatur des Gefrierfachs auf ein für die Tiefkühlkost kritisches Niveau erwärmt wird, blinkt der von der Gefrierfachtemperatur erreichte Maximalwert auf der Digitalanzeige.

Kontrollieren Sie die Lebensmittel im Gefrierfach.

Dies ist keine Fehlfunktion. Die Warnung kann durch Drücken einer beliebigen Taste oder durch Drücken der Hochtemperaturalarm Aus-Taste gelöscht werden. (Das Abbrechen durch Drücken einer beliebigen Taste gilt nicht für jedes Modell.)

Diese Anzeige () leuchtet auch, wenn ein Sensorfehler auftritt. Wenn diese Anzeige leuchtet, werden alternativ auf der Temperaturanzeige „E“ und Zahlen wie „1,2,3 ...“ angezeigt. Diese Zahlen auf der Anzeige informieren das Servicepersonal über den Fehler.

2. Energiesparfunktion (Display aus):

Falls die Gerätetüren lange Zeit geschlossen bleiben, wird die Energiesparfunktion automatisch aktiviert und das Energiesparsymbol leuchtet. (🔌)

Bei aktiver Energiesparfunktion erlöschen sämtliche Display-Symbole mit Ausnahme des Energiesparsymbols. Die Energiesparfunktion wird aufgehoben, sobald Tasten betätigt werden oder die Tür geöffnet wird. Das Display zeigt wieder die normalen Symbole.

Die Energiesparfunktion wird während der Lieferung ab Werk aktiviert und kann nicht aufgehoben werden.

3. Schnellkühlfunktion





Diese Taste erfüllt zwei Funktionen. Zum Ein- und Ausschalten der Schnellkühlfunktion drücken Sie die Taste einmal kurz. Die Schnellkühlanzeige erlischt, der Kühlschrank arbeitet wieder mit normalen Einstellungen. (🔥)

Trifft möglicherweise nicht auf alle Modelle zu



* **Optional:** Die Abbildungen in dieser Anleitung sind skizzenhaft und stimmen möglicherweise nicht exakt mit Ihrem Produkt überein. Falls Ihr Produkt nicht über die entsprechenden Teile verfügt, betreffen die Informationen andere Modelle.

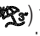

Produkt verwenden

	<p>Die Schnellkühlfunktion nutzen Sie, wenn Sie Lebensmittel im Kühlbereich besonders schnell abkühlen möchten. Wenn Sie große Mengen frischer Lebensmittel kühlen möchten, sollten Sie diese Funktion vor dem Einlagern der Lebensmittel einschalten.</p>
	<p>Sofern Sie diese Funktion nicht vorzeitig abschalten, wird das Schnellkühlen beendet, sobald die nötige Temperatur erreicht ist, spätestens jedoch nach 1 Stunden.</p>
	<p>Sollten Sie die Schnellkühltaste mehrmals innerhalb kurzer Zeit drücken, greift eine elektronische Schutzschaltung ein und sorgt dafür, dass der Kompressor nicht sofort anläuft.</p>
	<p>Diese Funktion wird nach einem Stromausfall nicht automatisch wieder eingeschaltet.</p>

4. Kühlbereichtemperatur-Einstelltaste

Durch mehrmaliges Drücken dieser Taste stellen Sie die Kühlbereichtemperatur auf 8, 7, 6, 5, 4, 3, 2, 1, 8, ... ein. Stellen Sie den Kühlbereich mit dieser Taste auf die gewünschte Temperatur ein. 

5. Urlaubsfunktion



Um die Urlaubsfunktion zu aktivieren, drücken Sie diese Taste () für 3 Sekunden und die Urlaubsfunktionsanzeige () wird aktiviert. Wenn die Urlaubsfunktion aktiv ist, erscheint „-“ in der Kühlbereichtemperaturanzeige; der Kühlbereich wird nun nicht mehr aktiv gekühlt. Wenn diese Funktion aktiv ist, sollten keine Lebensmittel im Kühlbereich aufbewahrt werden. Andere Bereiche werden entsprechend der eingestellten Temperatur weiterhin gekühlt.

Zum Aufheben dieser Funktion drücken Sie die Urlaubsfunktions taste noch einmal.

6. Alarm-Aus-Warnung:


Bei einem Stromausfall/Temperaturalarm drücken Sie nach Befüllen des Tiefkühlbereichs mit Lebensmitteln die Alarm-aus-Taste () zum Aufheben der Warnung..

7. Tastensperre

Halten Sie die Tastensperre-Taste () 3 Sekunden lang gedrückt. Tastensperre-Symbol () leuchtet auf, die Tastensperre ist aktiv. Bei aktiver Tastensperre reagiert das Gerät nicht auf Tastenbetätigungen. Halten Sie die Tastensperre-Taste noch einmal 3 Sekunden lang gedrückt. Das Tastensperre-Symbol erlischt, die Tastensperre wird abgeschaltet.


Drücken Sie die Taste **Tastensperre**, wenn Sie eine Änderung der Temperatureinstellung des Kühlschranks verhindern wollen ()

8. Öko-Fuzzy


Drücken und halten Sie die Öko-Fuzzy-Taste zum Aktivieren der Öko-Fuzzy-Funktion 1 Sekunden. Spätestens sechs Stunden später arbeitet Ihr Kühlgerät besonders ökonomisch; die Energiesparanzeige leuchtet () . Drücken und halten Sie die Öko-Fuzzy-Taste zum Deaktivieren der Öko-Fuzzy-Funktion 3 Sekunden.

Diese Anzeige leuchtet nach 6 Stunden auf, wenn Öko-Fuzzy aktiv ist.



9. Tiefkühlbereichtemperatur-Einstelltaste

Durch mehrmaliges Drücken dieser Taste stellen Sie die Tiefkühlbereichtemperatur auf -18 °, -19 °, -20 °, -21 °, -22 °, -23 °, -24 °, -18 °C, ... ein. Mit dieser Taste stellen Sie die gewünschte Temperatur des Tiefkühlbereiches ein. 

10. Schnellgefrier-taste/Eisbereiter-ein/aus-Taste

Mit dieser Taste schalten Sie die Schnellgefrierfunktion ein und aus. Wenn diese Funktionen aktiv ist, wird der Tiefkühlbereich besonders stark (über die eingestellte Temperatur hinaus) gekühlt. 

Zum Ein- und Ausschalten des Eisbereiters halten Sie die Taste 3 Sekunden lang gedrückt.

	<p>Die Schnellgefrierfunktion nutzen Sie, wenn Sie die Lebensmittel im Tiefkühlbereich besonders schnell abkühlen möchten. Wenn Sie große Mengen frischer Lebensmittel kühlen möchten, sollten Sie diese Funktion vor dem Einlagern der Lebensmittel einschalten.</p>
	<p>Sofern Sie diese Funktion nicht vorzeitig abschalten, wird das Schnellgefrieren beendet, sobald die nötige Temperatur erreicht ist, spätestens jedoch nach 24 Stunden.</p>

Produkt verwenden



Diese Funktion wird nach einem Stromausfall nicht automatisch wieder eingeschaltet.

11. Energiesparanzeige

Zeigt an, dass das Gerät besonders energiesparend arbeitet. (eco) Diese Anzeige leuchtet auf, wenn die Temperatur des Tiefkühlbereiches auf $-18\text{ }^{\circ}\text{C}$ eingestellt ist oder das Gerät mit der Öko-Extra-Funktion besonders ökonomisch arbeitet.

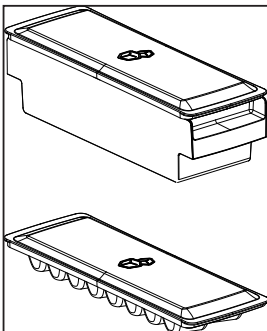


Die Energiesparanzeige erlischt, wenn Sie Schnellkühlen oder Schnellgefrieren zuschalten.

5.10. Eisbehälter

(optional)

- Nehmen Sie den Eisbehälter aus dem Tiefkühlbereich.
- Füllen Sie den Eisbehälter mit Trinkwasser.
- Geben Sie den Eisbehälter in den Tiefkühlbereich.
- Das Eis ist nach etwa zwei Stunden fertig. Nehmen Sie den Eisbehälter aus dem Tiefkühlbereich und biegen Sie ihn leicht über dem Gefäß, das Sie servieren möchten. Das Eis gelangt in den Behälter.



5.11. Eierhalter

Sie können den Eierhalter in der Tür oder auf der Ablage Ihrer Wahl platzieren. Falls Sie sich für die Ablagen entscheiden, sollten Sie tiefer gelegene Ablagen wählen, da es dort kühler ist.

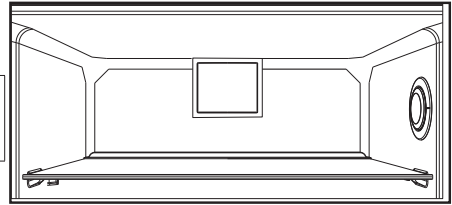


Geben Sie den Eierhalter nicht in den Tiefkühlbereich.

5.12. Lüfter

Der Lüfter wurde dazu entwickelt, die kalte Luft im Inneren Ihres Kühlschranks gleichmäßig zu verteilen. Je nach Modell und Bedarf arbeitet der Lüfter auf unterschiedliche Weise.

Während der Lüfter in einigen Produkten nur mit einem Kompressor arbeitet, ermittelt in anderen Modellen ein Kontrollsystem die Betriebszeit basierend auf den Kühlanforderungen.



5.13. Gemüsefach

(optional)

Das Gemüsefach des Produktes ist darauf ausgelegt, Gemüse durch Bewahren der Feuchtigkeit frisch zu halten. Aus diesem Grund wird die Gesamtzirkulation kalter Luft im Gemüsefach intensiviert.

5.14. 0-Grad-Fach

(optional)

Bewahren Sie in diesem Bereich Feinkost bei geringeren Temperaturen oder schnell verderbliche Fleischprodukte auf.

Das 0-Grad-Fach ist der kälteste Bereich, in dem Sie Lebensmittel, wie Milchprodukte, Fleisch, Fisch und Geflügel, bei idealen Lagerungsbedingungen aufbewahren können. Gemüse und/oder Obst gehören nicht in dieses Fach.

Produkt verwenden

5.15. Das zweite Gemüsefach des Produktes verwenden

Abbildung 1.



Wie abgebildet gibt es im zweiten Gemüsefach des Produktmodells K70560 2 Stopper.



Abbildung 2.

Das zweite Gemüsefach sieht im geschlossenen Zustand wie in Abbildung 2 aus.



Abbildung 3.

Ziehen Sie das zweite Gemüsefach wie in Abbildung 3 gezeigt bis zum ersten Stopper, wenn die Tür um 90 Grad geöffnet ist.

Falls die Schublade weiter geöffnet ist, öffnen Sie zunächst die Tür um mindestens 135 Grad. Anschließend heben Sie das zweite Gemüsefach wie in Abbildung 4 gezeigt um etwa 5 mm an, sodass es vom ersten Stopper befreit wird.



Abbildung 4.

Ziehen Sie die zweite Schublade nach dem Anheben wie in Abbildung 5 gezeigt bis zum zweiten Stopper nach oben.



Abbildung 5.

Produkt verwenden

5.16. Bewegliche Türablage

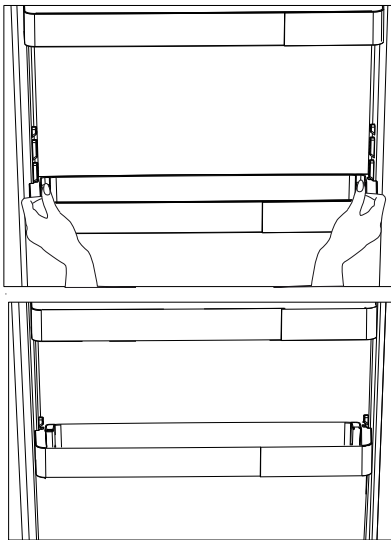
(optional)

Die bewegliche Türablage kann in 3 verschiedenen Positionen fixiert werden.

Zum Bewegen der Ablage drücken Sie die Tasten an der Seite gleichmäßig. Die Ablage wird beweglich.

Bewegen Sie die Ablage nach oben oder unten.

Wenn sich die Ablage in der gewünschten Position befindet, lassen Sie die Tasten los. Die Ablage wird wieder in der Position fixiert, in der Sie die Tasten losgelassen haben.

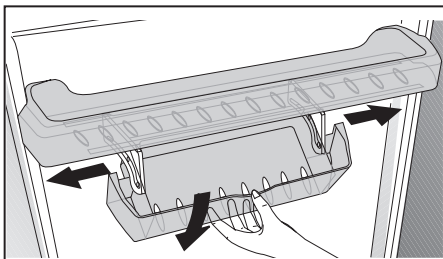


5.17. Verschiebbarer Vorratsbehälter

(optional)

Dieses Zubehör ist so konstruiert, dass das Volumen der Türablagen vergrößert wird.

Dank seiner Fähigkeit zur Seitwärtsbewegung können Sie mühelos lange Flaschen, Gläser oder Kartons im Flaschenhalter darunter verstauen.



5.18. HerbBox/HerbFresh

Das Foliengehäuse vom HerbBox/HerbFresh+ entfernen.

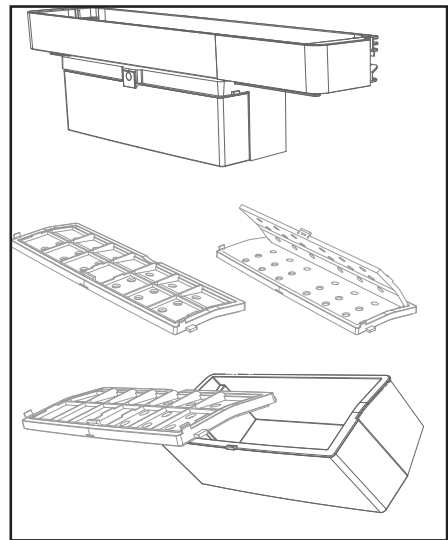
Nehmen Sie die Folie aus dem Beutel und legen Sie es wie auf der Abbildung angezeigt in das Foliengehäuse.

Schließen Sie das Gehäuse und legen Sie es wieder in die HerbBox/HerbFresh+.

Die HerbBox-HerbFresh+ Fächer sind besonders ideal für Kräuter, die in empfindlichen Bedingungen aufbewahrt werden müssen.

Ihr Grünzeug (Petersilie, Dill, usw.), das aus seinem Beutel ausgepackt wurde, können Sie in diesem Fach in horizontaler Position länger frisch aufbewahren.

Die Schicht wird alle sechs Monate ausgetauscht.



Produkt verwenden

5.19. Feuchtigkeitskontrolliertes Gemüsefach

(optional)

Dank der Feuchtigkeitsregelung bleibt der Feuchtigkeitsgehalt von Gemüse und Obst unter Kontrolle, die Lebensmittel bleiben länger frisch.

Es wird empfohlen, Blattgemüse, wie Salat, Spinat und dergleichen, das zu Feuchtigkeitsverlust neigt, nicht auf den Wurzeln, sondern nach Möglichkeit in horizontaler Position im Gemüsefach aufzubewahren.

Beim Einlagern von Gemüse platzieren Sie schweres, hartes Gemüse im unteren Bereich und leichtes, weiches Gemüse darüber; achten Sie auf das jeweilige Gewicht der Lebensmittel.

Lassen Sie Gemüse nicht in Plastikbeuteln im Gemüsefach. Bleibt das Gemüse in Plastikbeuteln, kann es in kurzer Zeit verderben. Falls Kontakt mit anderem Gemüse vermieden werden soll, sollten Sie Verpackungsmaterialien wie Papier verwenden, die eine bestimmte Durchlässigkeit in Sachen Hygiene aufweisen.

Geben Sie Obst mit einer hohen Ethylenfreisetzung, wie Birnen, Aprikosen, Pfirsiche und bestimmte Apfelsorten, nicht mit anderem Obst und Gemüse in das Gemüsefach. Das von solchen Früchten freigesetzte Ethylen kann dazu führen, dass anderes Obst und Gemüse in kurzer Zeit reift und verdirbt.

5.20. Automatischer Eisbereiter

(optional)

Der automatische Eisbereiter ermöglicht Ihnen die einfache Bereitung von Eis in Ihrem Kühlschrank. Damit Sie Eis vom Eisbereiter erhalten, nehmen Sie den Wassertank aus dem Kühlbereich, füllen ihn mit Wasser und setzen ihn wieder ein.

Nach etwa zwei Stunden liegen die ersten Eiswürfel in der Eisbereiter-Schublade im Kühlbereich für Sie bereit.

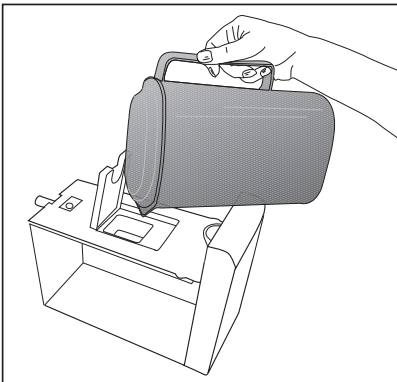
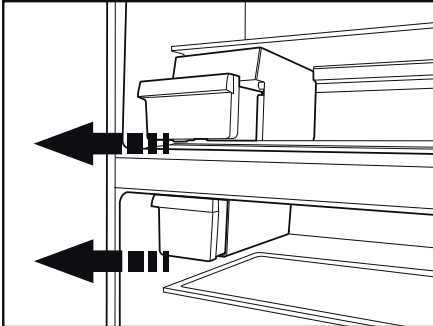
Nach Einsetzen des vollen Wassertanks erhalten Sie 60 bis 70 Eiswürfel, bis er vollständig leer ist.

Wenn das Wasser 2 bis 3 Wochen im Tank war, sollte es ausgewechselt werden.

Produkt verwenden



In Produkten mit automatischem Eisbereiter hören Sie möglicherweise einen Ton beim Ausgießen von Eis. Dieser Ton ist völlig normal und keine Zeichen für einen Fehler.



5.21. Eisbereiter und Eisbehälter (optional)

Eisbereiter verwenden

Füllen Sie den Eisbereiter mit Wasser, setzen Sie ihn in seine Halterung. Ihr Eis ist nach etwa zwei Stunden fertig. Zum Entnehmen des Eises nehmen Sie den Eisbereiter nicht heraus.

Drehen Sie die Knöpfe daran um 90 ° im Uhrzeigersinn.

Die Eiswürfel fallen in den darunter liegenden Eiswürfelbehälter.

Sie können den Eisbehälter zum Servieren der Eiswürfel herausnehmen.

Wenn Sie möchten, können Sie das Eis auch im Eisbehälter aufbewahren.

Eisbehälter

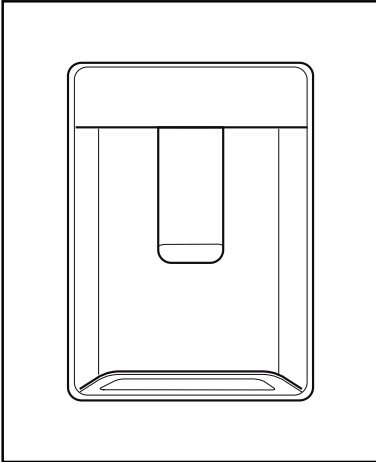
Der Eisbehälter dient ausschließlich zum Sammeln der Eiswürfel. Füllen Sie kein Wasser ein. Der Behälter wird sonst platzen.

Produkt verwenden

5.22. Wasserspender

(bei bestimmten Modellen)

Der Wasserspender ist eine praktische Einrichtung, mit der Sie kühles Wasser zapfen können, ohne dabei die Tür Ihres Kühlschranks öffnen zu müssen. Da Sie die Tür des Gerätes nicht häufig öffnen müssen, sparen Sie eine Menge Energie.



5.23. So benutzen Sie den Wasserspender

Drücken Sie mit dem Glas gegen den Hebel des Wasserspenders. Die Wasserausgabe stoppt, sobald der Hebel losgelassen wird.

Den schnellsten Durchfluss erreichen Sie, wenn Sie den Hebel komplett eindrücken. Denken Sie daran, dass die Stärke des Wasserdurchflusses davon abhängt, wie weit der Hebel eingedrückt wird.

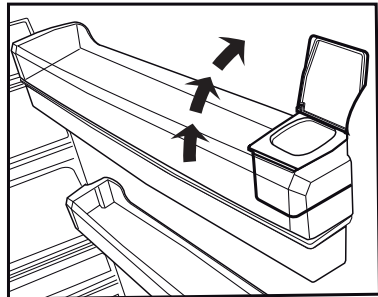
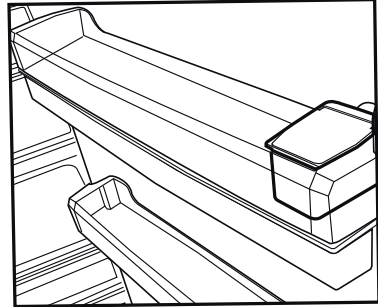
Geben Sie den Hebel langsam wieder frei, sobald das Glas fast vollständig gefüllt ist, damit nichts überläuft. Das Wasser tritt nur tropfenweise aus, wenn Sie den Hebel nur leicht betätigen; dies ist völlig normal.

Wasserbehälter füllen

Der Wassertank befindet sich an der Innenseite der Türablage. Öffnen Sie die Abdeckung des Behälters, füllen Sie Trinkwasser ein. Schließen Sie anschließend den Deckel.

Warnung!

- Füllen Sie den Wassertank nur mit sauberem Trinkwasser, nicht mit anderen Flüssigkeiten gleich welcher Art. Falls andere Flüssigkeiten eingefüllt werden, kann der Wasserspender irreparabel beschädigt werden. Solche



Beschädigungen werden nicht durch die Garantie abgedeckt. Viele Flüssigkeiten und Getränke enthalten Zusätze, die das Material des Wassertanks angreifen können.

- Nutzen Sie ausschließlich klares Trinkwasser.
- Die Kapazität des Wassertanks beträgt 3 Liter; füllen Sie nicht mehr hinein.
- Drücken Sie mit einem haltbaren Glas gegen den Hebel des Wasserspenders. Falls Sie Einwegbecher verwenden, betätigen Sie den Hebel mit dem Finger.

5.24. Wassertank reinigen

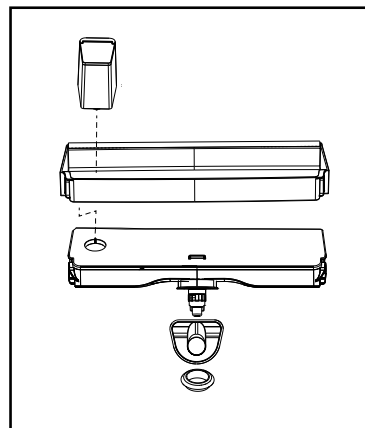
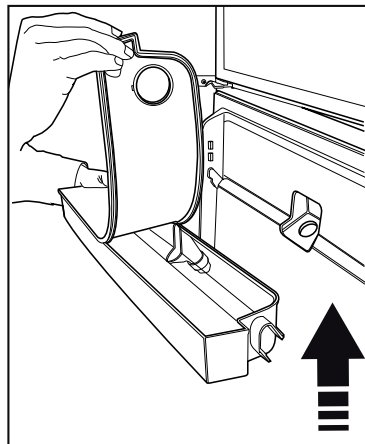
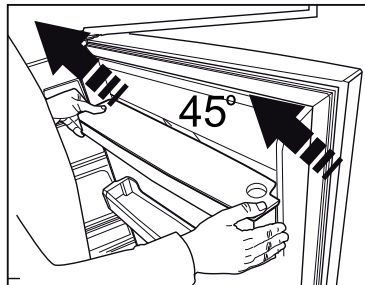
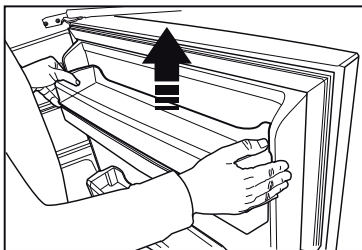
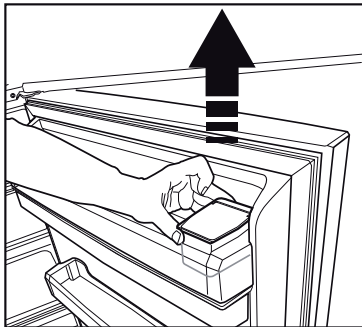
- Entfernen Sie den Füllbehälter auf der Innenseite der Türablage.
- Entfernen Sie die Türablage, indem Sie diese an beiden Seiten greifen.

Produkt verwenden

- Greifen Sie den Wassertank an beiden Seiten und entfernen ihn in einem Winkel von 45 ° C.
- Öffnen Sie die Abdeckung und reinigen den Wassertank.

Wichtig:

Die Komponenten des Wasserspenders und des Wassertanks sollten nicht in der Spülmaschine gereinigt werden.



Produkt verwenden

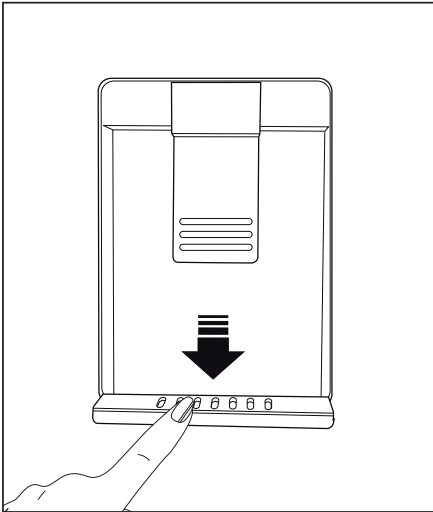
5.25. Tropfschale

Wasser, das bei der Nutzung des Wasserspenders heruntertropft, sammelt sich in der Tropfschale.

Nehmen Sie das Kunststoffsieb wie in der Abbildung gezeigt heraus.

Entfernen Sie angesammeltes Wasser mit einem sauberen, trockenen Tuch.

Achtung: Nur an Trinkwasserleitungen anschließen.



Produkt verwenden

5.26. Frische Lebensmittel tiefkühlen

- Zur Gewährleistung der Lebensmittelqualität müssen im Tiefkühlbereich gelagerte Lebensmittel so schnell wie möglich eingefroren werden; nutzen Sie dazu die Schnellgefrierfunktion.
- Das Einfrieren frischer Lebensmittel verlängert die Aufbewahrungsdauer im Tiefkühlbereich.
- Verpacken Sie Lebensmittel in sicher verschlossenen luftdichten Behältern.
- Stellen Sie sicher, dass die Lebensmittel verpackt sind, bevor Sie sie in den Tiefkühlbereich geben. Verwenden Sie statt herkömmlichen Packpapiers tiefkühlgeeignete Behälter, Alufolie und feuchtigkeitsbeständiges Papier, Plastikbeutel oder ähnliche Verpackungsmaterialien.



Eis im Tiefkühlbereich taut automatisch.

- Beschriften Sie die Behälter vor dem Einfrieren mit dem Datum. Dadurch können Sie beim Öffnen des Tiefkühlbereichs stets die Frische der verpackten Lebensmittel prüfen. Bewahren Sie ältere Lebensmittel weiter vorne auf, damit sie zuerst verbraucht werden.

- Gefrorene Lebensmittel müssen unmittelbar nach dem Auftauen verbraucht und dürfen nicht wieder eingefroren werden.
 - Frieren Sie nicht zu große Mengen auf einmal ein.
1. Geben Sie Lebensmittel so schnell wie möglich in den Tiefkühlbereich, damit sie nicht auftauen.
 2. Prüfen Sie vor dem Einfrieren, ob das Verfallsdatum auf der Verpackung bereits abgelaufen ist.
 3. Stellen Sie sicher, dass die Lebensmittelverpackung nicht beschädigt ist.

5.28. Hinweise zum Tiefkühlbereich

Gemäß den Standards IEC 62552 muss der Tiefkühlbereich über die Kapazität verfügen, 4,5 kg Lebensmittel bei -18 °C oder geringeren Temperaturen je 100 Liter Volumen des Tiefkühlbereichs in 24 Stunden einzufrieren.

Tiefkühlbereich temperatureinstellung	Kühlbereich temperatureinstellung	Details
-18 °C	4 °C	Dies ist die allgemein empfohlene Einstellung.
-20 °C, -22 °C oder -24 °C	4 °C	Diese Einstellungen empfehlen wir bei Umgebungstemperaturen über 30 °C.
Schnellgefrieren	4 °C	Diese Funktion nutzen Sie zum Einfrieren von Lebensmitteln in kurzer Zeit. Wenn der Vorgang endet, nimmt das Produkt wieder seine Position ein.
-18 °C und kälter	2 °C	Nutzen Sie diese Einstellungen, falls Sie meinen, dass der Kühlbereich aufgrund der Umgebungstemperatur oder zu häufigen Öffnens und Schließens der Tür nicht kalt genug wird.

5.27. Empfehlungen zur Lagerung gefrorener Lebensmittel

Der Bereich muss auf mindestens -18 °C eingestellt sein.

Produkt verwenden

Lebensmittel können nur bei Temperaturen von -18 °C und darunter längere Zeit aufbewahrt werden.

Sie können Lebensmittel monatelang frisch halten (im Tiefkühlbereich bei oder unter 18 °C).

Lebensmittel, die eingefroren werden sollen, dürfen keine bereits eingefrorenen Lebensmittel berühren, da diese andernfalls antauen könnten.

Gekochtes Gemüse und gefiltertes Wasser können länger im Tiefkühlbereich aufbewahrt werden. Geben Sie die Lebensmittel nach dem Filtern in luftdichten Verpackungen in den Tiefkühlbereich. Bananen, Tomaten, Salat, Sellerie, gekochte Eier, Kartoffeln und ähnliche Lebensmittel sollten nicht eingefroren werden. Falls diese Lebensmittel verderben, werden nur Nährwert und Geschmack negativ beeinträchtigt. Es besteht keine Gefahr für die menschliche Gesundheit.

5.29. Lebensmittel einlagern

Tiefkühlbereich- Ablagen	Unterschiedliche gefrorene Lebensmittel wie Fleisch, Fisch, Speiseeis, Gemüse etc.
Kühlbereich- Ablagen	Lebensmittel in Töpfen, auf abgedeckten Tellern und in bedeckten Behältern, Eier (in abgedecktem Behälter)
Kühlbereich- Türablagen	Kleine und verpackte Lebensmittel oder Getränke
Gemüsefach	Obst und Gemüse
Frischlebensmittelbereich	Feinkost (Frühstücksprodukte, schnell verderbliche Fleischprodukte)

5.30. Tür-offen-Alarm

(optional)

Wenn die Gerätetür mindestens 1 Minute offen bleibt, wird ein akustischer Alarm ausgegeben. Dieser akustische Alarm verstummt, sobald Sie die Tür schließen oder eine beliebige Taste am Display (sofern vorhanden) drücken.

Der Tür-offen-Alarm wird sowohl akustisch als auch visuell ausgegeben. Die Innenbeleuchtung schaltet sich aus, wenn die Warnung 10 Minuten lang anhält.

5.31. Wechseln des Türanschlags

Sie können den Türanschlag Ihres Kühlschranks je nach Aufstellungsort wechseln. Wenden Sie sich in diesem Fall an den autorisierten Kundendienst in Ihrer Nähe.

Die obige Erklärung ist allgemeiner Natur. Sie sollten das Warnschild in der Produktverpackung auf Möglichkeit zum Wechseln des Türanschlags prüfen.

5.32. Innenbeleuchtung

Die Innenbeleuchtung nutzt eine LED-Lampe. Wenden Sie sich bei jeglichen Problemen mit dieser Lampe an den autorisierten Kundendienst. Die in diesem Gerät verwendete(n) Lampe(n) können nicht zur Raumbelichtung verwendet werden. Der vorgesehene Zweck dieser Lampe dient dem sicheren und komfortablen Einlagern von Lebensmitteln im Kühl- / Tiefkühlbereich.

5.33. Blaues Licht/HarvestFresh

***Möglicherweise nicht in allen Modellen verfügbar**

Für das blaue Licht,

Obst und Gemüse, die im Gemüsefach gelagert werden, das mit blaues Licht beleuchtet wird, setzen ihre Photosynthese durch den Wellenlängeneffekt des blauen Lichts fort und bewahren so ihren Vitamingehalt.

Für HarvestFresh,

Obst und Gemüse, im Gemüsefach gelagert werden, das mit der HarvestFresh-Technologie beleuchtet wird, bewahren ihren Vitamingehalt länger dank der blauen, grünen, roten Lichter und dunklen Zyklen, die einen Tageszyklus simulieren.

Wenn Sie die Kühlschranktür während der Dunkelumlaufzeit der HarvestFresh-Technologie öffnen, erkennt der Kühlschrank dies automatisch und ermöglicht es dem blaugrünen oder roten Licht, das Gemüsefach für Ihre Bequemlichkeit zu beleuchten. Nachdem Sie die Kühlschranktür geschlossen haben, wird die Dunkelumlaufzeit fortgesetzt, was die Nachtzeit in einem Tageszyklus darstellt.

6 Wartung und Reinigung

Die Einsatzdauer des Produktes verlängert sich und häufige Probleme lassen nach, wenn das Produkt regelmäßig gereinigt wird.



WARNUNG: Schalten Sie das Gerät ab, bevor Sie es reinigen.



WARNUNG: Es wird empfohlen, den Kondensator alle sechs Monate mit Handschuhen zu reinigen. Sie dürfen keine Staubsauger verwenden.

- Verwenden Sie zu Reinigungszwecken niemals Benzin oder ähnliche Substanzen.
- Verwenden Sie zur Reinigung niemals scharfe Gegenstände, Seife, Haushaltsreiniger, Waschmittel oder Wachspolituren.
- Lösen Sie einen Teelöffel Natron in einem halben Liter Wasser auf. Tränken Sie ein Tuch mit der Lösung, wringen Sie das Tuch gut aus. Waschen Sie die Innenflächen des Kühlschranks gründlich mit diesem Tuch ab; anschließend gut trocknen.
- Achten Sie darauf, dass kein Wasser in das Lampengehäuse oder in andere elektrische Komponenten eindringt.
- Falls Sie den Kühlschrank längere Zeit nicht benutzen, ziehen Sie den Netzstecker, nehmen sämtliche Lebensmittel heraus, reinigen das Gerät und lassen die Tür offen stehen.
- Prüfen Sie die Türdichtungen regelmäßig auf Sauberkeit. Bei Bedarf reinigen.
- Nehmen Sie zum Entfernen der Tür- und Gehäuseablagen alle Gegenstände aus dem Produkt heraus.
- Ziehen Sie die Türablagen nach oben heraus. Setzen Sie die Ablagen nach der Reinigung wieder ein, indem Sie sie nach unten schieben.
- Reinigen Sie Außenflächen und verchromte Teile des Produktes niemals mit chlorhaltigen Reinigern oder Wasser. Chlor greift Metalloberflächen an.
- Bei Geräten ohne No-Frost-Einrichtung können Wassertropfen entstehen und sich mit der Zeit bis zu fingerbreite Eisschichten an Rückwand und Seiten des Tiefkühlfachs bilden. Niemals reinigen; niemals Öl oder andere Substanzen aufbringen.

- Verwenden Sie nur ein leicht angefeuchtetes Mikrofasertuch zum Reinigen der Geräteaußenflächen. Scheuerschwämme oder grobe Reinigungstücher könnten die Oberflächen verkratzen.

6.1. Unangenehme Gerüche verhindern

Bei der Herstellung Ihres Kühlschranks wurde darauf geachtet, dass keine Materialien verwendet werden, die unangenehme Gerüche verursachen können. Allerdings können Gerüche abgesondert werden, wenn Lebensmittel falsch aufbewahrt werden oder die Innenseite des Gerätes nicht wie erforderlich gereinigt wird. Dieses Problem können Sie mit folgenden Hinweisen vermeiden:

- Es ist wichtig, das Kühlschrank sauber zu halten. Lebensmittelreste, Verschmutzungen usw. können Gerüche verursachen. Reinigen Sie den Kühlschrank daher alle 15 Tage mit etwas in Wasser aufgelöstem Natron. Verzichtern Sie grundsätzlich auf Reinigungsmittel und Seifen.
- Bewahren Sie Ihre Lebensmittel in geschlossenen Behältern auf. Mikroorganismen aus Behältern ohne Deckel können unangenehme Gerüche verursachen.
- Bewahren Sie keine abgelaufenen oder verdorbenen Lebensmittel in Ihrem Kühlschrank auf.

6.2. Kunststoffflächen schützen

Geben Sie keine Öle oder stark fetthaltige Speisen offen in Ihren Kühlschrank – dadurch können die Kunststoffflächen angegriffen werden. Sollten Kunststoffteile einmal mit Öl in Berührung kommen, reinigen Sie die entsprechenden Stellen möglichst sofort mit warmem Wasser.

6.3. Innenfläche reinigen

Reinigen Sie die Innenflächen und alle herausnehmbaren Teile mit einer milden Lösung aus Seife, Wasser und Karbonat. Gründlich abspülen und abtrocknen. Achten Sie darauf, dass Wasser nicht mit Leuchtmitteln und Bedienfeld in Berührung kommt.



ACHTUNG:

Reinigen Sie die Innenflächen nicht mit Essig, Reinigungsalkohol oder anderen alkoholbasierten Reinigern.

6.4. Edelstahl-Außenflächen

Verwenden Sie einen nicht scheuernden Edelstahl-Reiniger und tragen Sie ihn auf ein fusselfreies, weiches Tuch auf. Zum Polieren wischen Sie die Oberfläche vorsichtig mit einem feuchten Mikrofaser Tuch und einem trockenen Fensterleder ab. Folgen Sie immer den Strängen des Edelstahls.

6.5. Produkte mit Glastüren reinigen

Entfernen Sie die Schutzfolie von den Scheiben. Die Oberfläche der Scheiben ist beschichtet. Diese Beschichtung minimiert Fleckenbildung und sorgt dafür, dass sich Flecken und Schmutz leicht entfernen lassen. Auf Scheiben, die nicht durch eine Beschichtung geschützt sind, können sich dauerhaft organische oder anorganische in Luft oder Wasser befindliche Verunreinigungen, wie Kalk, Mineralsalze, unverbrannte Kohlenwasserstoffe, Metalloxide und Silikone, ablagern, die innerhalb kurzer Zeit zu Flecken und Materialschäden führen. Trotz regelmäßiger Reinigung lässt sich das Glas nur mit großer Mühe sauber halten. Dadurch lassen Klarheit und Aussehen der Scheiben nach. Aggressive und scheuernde Reinigungsmittel und Methoden verstärken diese Mängel weiter und beschleunigen den Verschleiß.

*Verwenden Sie zur regelmäßigen Reinigung Mittel auf Wasserbasis, die weder alkalisch noch scheuernd sind. Damit die Beschichtung lange hält, dürfen während der Reinigung keine alkalischen oder scheuernden Substanzen zum Einsatz kommen.

Die Scheiben wurden zur Erhöhung ihrer Stoß- und Bruchfestigkeit gehärtet.

Als zusätzliche Sicherheitsmaßnahme befindet sich auf der Rückseite der Scheiben eine Sicherheitsfolie, damit das Glas keine Schäden im Umfeld anrichtet, falls es bricht.

Bitte arbeiten Sie diese Liste durch, bevor Sie sich an den Kundendienst wenden. Das kann Ihnen Zeit und Geld sparen. Diese Liste enthält häufig aufgetretene Probleme, die nicht auf Material- oder Verarbeitungsfehler zurückzuführen sind. Nicht alle hier beschriebenen Funktionen sind bei jedem Modell verfügbar.

Der Kühlschrank schaltet sich nicht ein.

- Möglicherweise ist er nicht richtig angeschlossen. >>> Schließen Sie das Gerät richtig an.
- Die entsprechende Haussicherung ist herausgesprungen oder durchgebrannt. >>> Prüfen Sie die Sicherung.

Kondensation an den Seitenwänden des Kühlbereiches (Multizone, Kühlkontrolle und FlexiZone).

- Die Tür wurde häufig geöffnet/geschlossen. >>> Verzichten Sie auf häufiges Öffnen/Schließen der Kühlschranktür.
- Die Umgebung könnte zu feucht sein. >>> Installieren Sie das Kühlschrank nicht an sehr feuchten Orten.
- Lebensmittel mit hohem Feuchtigkeitsgehalt wurden in Behältern ohne Deckel in den Kühlschrank gegeben. >>> Geben Sie Lebensmittel mit hohem Feuchtigkeitsgehalt nicht in offenen Behältern in den Kühlschrank.
- Die Kühlschranktür steht offen. >>> Halten Sie die Kühlschranktüren nur möglichst kurz geöffnet.
- Das Thermostat wurde auf eine sehr niedrige Temperatur eingestellt. >>> Stellen Sie das Thermostat auf einen geeigneten Wert ein.

Der Kompressor arbeitet nicht.

- Eine Schutzschaltung stoppt den Kompressor bei kurzzeitigen Unterbrechungen der Stromversorgung und wenn das Gerät zu oft und schnell ein- und ausgeschaltet wird, um eine Überdruck des Kühlmittels im System zu vermeiden. Der Kühlschrank beginnt nach etwa sechs Minuten wieder zu arbeiten. Bitte wenden Sie sich an den autorisierten Kundendienst, falls Ihr Kühlschrank nach Ablauf dieser Zeit nicht wieder zu arbeiten beginnt.
- Das Kühlgerät wird abgetaut. >>> Dies ist bei einem Kühlschrank mit vollautomatischem Abtauen völlig normal. Das Gerät wird regelmäßig abgetaut.
- Der Kühlschrank ist nicht angeschlossen. >>> Achten Sie darauf, dass der Stecker in die Steckdose passt.
- Die Temperatureinstellungen stimmen nicht. >>> Wählen Sie den richtigen Temperaturwert.
- Es liegt ein Stromausfall vor. >>> Der Kühlschrank setzt seinen Betrieb fort, wenn die Stromversorgung wiederhergestellt ist.

Das Betriebsgeräusch nimmt zu, wenn der Kühlschrank arbeitet.

- Das Leistungsverhalten des Kühlgerätes kann sich je nach Umgebungstemperatur ändern. Dies ist völlig normal und keine Fehlfunktion.

Der Kühlschrank arbeitet sehr intensiv oder über eine sehr lange Zeit.

- Ihr neues Gerät ist vielleicht etwas größer als sein Vorgänger. Große Kühlgeräte arbeiten oft längere Zeit.
- Die Umgebungstemperatur ist eventuell sehr hoch. >>> Bei hohen Umgebungstemperaturen arbeitet das Gerät etwas länger.
- Der Kühlschrank wurde erst vor Kurzem in Betrieb genommen oder mit Lebensmitteln gefüllt. >>> Wenn das Gerät erst vor Kurzem in Betrieb genommen oder mit Lebensmitteln gefüllt wurde, dauert es etwas länger, bis die eingestellte Temperatur erreicht ist. Dies ist völlig normal.
- Kurz zuvor wurden größere Mengen warmer Speisen in den Kühlschrank gestellt. >>> Geben Sie keine warmen oder gar heißen Speisen in den Kühlschrank.
- Die Türen wurden häufig geöffnet oder längere Zeit nicht richtig geschlossen. >>> Der Kühlschrank muss länger arbeiten, weil warme Luft in den Innenraum eingedrungen ist. Vermeiden Sie häufiges Öffnen der Türen.
- Die Tür des Kühl- oder Tiefkühlbereichs war nur angelehnt. >>> Vergewissern Sie sich, dass die Türen richtig geschlossen wurden.
- Die Kühlschranktemperatur ist sehr niedrig eingestellt. >>> Stellen Sie die Kühlschranktemperatur höher ein. Warten Sie dann ab, bis diese Temperatur erreicht ist.
- Die Türdichtungen von Kühl- oder Gefrierbereich sind verschmutzt, verschlissen, beschädigt oder sitzen nicht richtig. >>> Reinigen oder ersetzen Sie die Dichtung. Beschädigte oder defekte Dichtungen führen dazu, dass der Kühlschrank länger arbeiten muss, um die Temperatur halten zu können.

Die Temperatur im Kühlbereich ist angemessen, während Temperatur im Tiefkühlbereich sehr niedrig ist.

Problemlösung

- Die Tiefkühlbereichstemperatur ist sehr niedrig eingestellt. >>> Tiefkühlbereichstemperatur höher einstellen, Temperatur nach einer Weile prüfen.

Die Temperatur im Tiefkühlbereich ist angemessen, während die Temperatur im Kühlbereich sehr niedrig ist.

- Die Kühltemperatur ist sehr niedrig eingestellt. >>> Stellen Sie die Kühltemperatur wärmer ein, prüfen Sie die Temperatur nach einer Weile.

Im Kühlbereich gelagerte Lebensmittel frieren ein.

- Die Kühlbereichstemperatur ist sehr hoch eingestellt. >>> Kühlbereichstemperatur niedriger einstellen, Temperatur nach einer Weile prüfen.

Die Temperatur im Kühl- oder Tiefkühlbereich ist sehr hoch.

- Die Kühlbereichstemperatur ist sehr hoch eingestellt. >>> Die Kühlbereichstemperatur wirkt sich auf die Temperatur des Tiefkühlbereichs aus. Stellen Sie den Kühl- oder Tiefkühlbereich auf eine geeignete Temperatur ein.
- Türen wurden häufig geöffnet oder längere Zeit nicht richtig geschlossen. >>> Verzichten Sie auf häufiges Öffnen der Türen.
- Die Tür wurde eventuell nicht richtig geschlossen. >>> Tür richtig schließen.
- Der Kühlschrank wurde erst vor Kurzem in Betrieb genommen oder mit Lebensmitteln gefüllt. >>> Dies ist normal. Wenn das Gerät erst vor Kurzem in Betrieb genommen oder mit Lebensmitteln gefüllt wurde, dauert es etwas länger, bis die eingestellte Temperatur erreicht ist.
- Kurz zuvor wurden größere Mengen warmer Speisen in den Kühlschrank gestellt. >>> Geben Sie keine warmen oder gar heißen Speisen in den Kühlschrank.

Vibrationen oder Betriebsgeräusche.

- Der Boden ist nicht stabil oder gerade. >>> Falls der Kühlschrank bei Bewegung leicht wackelt, richten Sie ihn mit den Füßen aus. Achten Sie darauf, dass der Boden eben ist und das Gewicht des Kühlschranks problemlos tragen kann.
- Gegenstände, die auf dem Kühlschrank abgestellt wurden, können Geräusche verursachen. >>> Nehmen Sie die Gegenstände herunter.

Fließ- oder Spritzgeräusche sind zu hören.

- Aus technischen Gründen bewegen sich Flüssigkeiten und Gase innerhalb des Gerätes. >>> Dies ist völlig normal und keine Fehlfunktion.

Der Kühlschrank pfeift.

- Im Inneren befinden sich Gebläse zum Kühlen des Gerätes. Dies ist völlig normal und keine Fehlfunktion.

Feuchtigkeit an den Kühlschrankinnenflächen.

- Bei heißen und feuchten Wetterlagen treten verstärkt Eisbildung und Kondensation auf. Dies ist völlig normal und keine Fehlfunktion.
- Türen wurden häufig geöffnet oder längere Zeit nicht richtig geschlossen. >>> Verzichten Sie auf häufiges Öffnen der Türen. Schließen Sie die Türen, falls sie offen sind.
- Eine Tür wurde eventuell nicht richtig geschlossen. >>> Tür richtig schließen.

Feuchtigkeit sammelt sich an der Außenseite des Kühlschranks oder an den Türen an.

- Hohe Luftfeuchtigkeit. Dies ist bei feuchtem Wetter völlig normal. >>> Die Kondensation verschwindet, wenn der Feuchtigkeitsgehalt abnimmt.
- Externer Feuchtigkeitsniederschlag im Bereich zwischen den beiden Türen des Kühlschranks, wenn das Gerät selten benutzt wird. Dies ist völlig normal. Der Feuchtigkeitsniederschlag verschwindet bei häufiger Verwendung.

Unangenehmer Geruch im Kühlschrank.

- Das Gerät wurde nicht regelmäßig gereinigt. Reinigen Sie das Innere des Kühlschranks mit einem Schwamm, den Sie mit lauwarmem oder kohlen säurehaltigem Wasser angefeuchtet haben.
- Einige Behälter oder Verpackungsmaterialien können Gerüche verursachen. >>> Andere Behälter und Verpackungsmaterialien bzw. Produkte anderer Hersteller verwenden.
- Lebensmittel wurden in Behältern ohne Deckel in den Kühlschrank gegeben. >>> Lebensmittel in geschlossenen Behältern aufbewahren. Mikroorganismen aus Behältern ohne Deckel können unangenehme Gerüche verursachen.
- Nehmen Sie abgelaufene oder verdorbene Lebensmittel aus dem Kühlschrank.

Die Tür kann nicht geschlossen werden.

- Lebensmittelpackungen verhindern ein vollständiges Schließen der Tür. >>> Entfernen Sie die Verpackungen, welche die Tür blockieren.
- Der Kühlschrank hat keinen stabilen Stand. >>> Passen Sie die Kühlschrankfüße so an, dass der Kühlschrank in Waage ist.
- Der Boden ist nicht eben oder nicht stabil genug. >>> Achten Sie darauf, dass der Boden eben ist und das Gewicht des Kühlschranks problemlos tragen kann.

Problemlösung

Das Gemüsefach klemmt.

- Lebensmittel könnten die obere Wand des Gemüsefachs berühren. >>> Verteilen Sie die Lebensmittel im Gemüsefach anders.

Wenn die Geräteoberfläche heiß ist.

Die Bereiche zwischen den beiden Türen, an den Seitenflächen und hinten am Grill können im Betrieb sehr heiß werden. Dies ist völlig normal und weist nicht auf eine Fehlfunktion hin.

Gebälse läuft weiter, wenn die Tür geöffnet wird.

Es ist normal, dass das Gebläse weiterläuft, wenn die Tür des Tiefkühlbereichs geöffnet wird.



WARNUNG: Falls sich ein Problem nicht mit den Hinweisen in diesem Abschnitt lösen lassen sollte, wenden Sie sich bitte an Ihren Händler oder an den autorisierten Kundendienst. Versuchen Sie niemals, ein fehlerhaftes Produkt selbst zu reparieren.

DE

HAFTUNGSAUSSCHLUSS / WARNUNG

Einige (einfache) Fehler können vom Endbenutzer angemessen behandelt werden, ohne dass Sicherheitsprobleme oder unsichere Verwendung auftreten, sofern sie innerhalb der Grenzen und gemäß den folgenden Anweisungen ausgeführt werden (siehe Abschnitt „Selbstreparatur“).

Sofern im Abschnitt „Selbstreparatur“ unten nichts anderes autorisiert ist, sind Reparaturen an registrierte professionelle Reparaturtechniker zu richten, um Sicherheitsprobleme zu vermeiden. Ein registrierter professioneller Reparaturbetrieb ist ein professioneller Reparaturtechniker, dem vom Hersteller Zugang zu den Anweisungen und der Ersatzteilliste dieses Produkts gemäß den in den Rechtsakten entsprechend der Richtlinie 2009/125/EG beschriebenen Methoden gewährt wurde.

Allerdings kann nur der Dienstleister (d.h. autorisierte professionelle Reparaturtechniker), den Sie über die in der Bedienungsanleitung/ Garantiekarte angegebene Telefonnummer oder über Ihren autorisierten Händler erreichen können, einen Service gemäß den Garantiebedingungen anbieten. Bitte beachten Sie daher, dass Reparaturen durch professionelle Reparaturtechniker (die nicht von Bekoautorisiert sind) zum Erlischen der Garantie führen.

Selbstreparatur

Die Selbstreparatur kann vom Endbenutzer in Bezug auf folgende Ersatzteile durchgeführt werden: Dichtungen, Filter, Türscharniere, Körbe, Propeller, Kunststoffzubehör usw. (eine aktualisierte Liste ist ab dem 1. März 2021 ebenfalls in support.beko.com verfügbar).

Um die Produktsicherheit zu gewährleisten und das Risiko schwerer Verletzungen zu vermeiden, muss die erwähnte Selbstreparatur gemäß den Anweisungen im Benutzerhandbuch zur Selbstreparatur durchgeführt werden, die unter support.beko.com verfügbar sind. Ziehen Sie zu Ihrer Sicherheit den Stecker aus der Steckdose, bevor Sie eine Selbstreparatur durchführen.

Reparatur- und Reparaturversuche von Endbenutzern für Teile, die nicht in dieser Liste enthalten sind und/oder die Anweisungen in den Benutzerhandbüchern zur Selbstreparatur nicht befolgen oder die auf support.beko.com verfügbar sind, können zu Sicherheitsproblemen führen, die nicht auf Bekozurückzuführen sind, und führt zum Erlöschen der Garantie des Produkts.

Deshalb wird dringend empfohlen, dass Endbenutzer nicht versuchen, Reparaturen durchzuführen, die außerhalb der genannten Ersatzteilliste liegen, und sich in solchen Fällen an autorisierte professionelle Reparaturtechniker oder registrierte professionelle Reparaturtechniker wenden. Ansonsten können solche Versuche von Endbenutzern Sicherheitsprobleme verursachen und das Produkt beschädigen und anschließend Brand, Überschwemmungen, Stromschläge und schwere Personenschäden verursachen.

Beispielsweise müssen, ohne darauf beschränkt zu sein, die folgenden Reparaturen an autorisierte professionelle Reparaturtechniker oder registrierte professionelle Reparaturtechniker gerichtet werden: Kompressor, Kühlkreislauf, Hauptplatine, Wechselrichterterplatte, Anzeigetafel usw.

Der Hersteller/Verkäufer kann in keinem Fall haftbar gemacht werden, in dem Endbenutzer die oben genannten Bestimmungen nicht einhalten.

Die Ersatzteilverfügbarkeit des von Ihnen gekauften Kühlschranks beträgt 10 Jahre. Während dieser Zeit stehen Originalersatzteile zur Verfügung, um den Kühlschrank ordnungsgemäß zu betreiben.

Die Mindestgarantiedauer für den von Ihnen gekauften Kühlschrank beträgt 24 Monate. Dieses Produkt ist mit einer Lichtquelle der Energieklasse „G“ ausgestattet.

Die Lichtquelle in diesem Produkt darf nur von professionellen Reparaturtechnikern ersetzt werden.

Gentile cliente,

ci piacerebbe che lei potesse raggiungere un livello di efficacia ottimale dal nostro prodotto, che è stato realizzato in una struttura moderna, adottando controlli meticolosi a livello qualitativo.

A tal fine la invitiamo a leggere con attenzione il manuale dell'utente prima di iniziare a servirsi del dispositivo. La invitiamo altresì a conservare il presente manuale per poterlo consultare in futuro. Qualora dovesse cedere il prodotto a terzi, consigliamo di accludere il presente manuale.

Il manuale dell'utente garantisce un utilizzo veloce e sicuro dell'apparecchiatura.


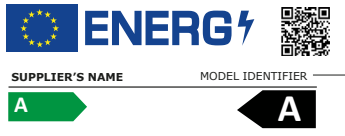


- Consigliamo di leggere il manuale dell'utente prima di installare e mettere in funzione l'apparecchiatura.
- Rispettare sempre le istruzioni di sicurezza.
- Consigliamo di tenere la guida dell'utente a portata di mano per poterla consultare in futuro.
- La invitiamo a leggere gli altri eventuali documenti forniti con l'apparecchiatura

Ricordi che questo manuale può riferirsi a diversi modelli. Il manuale indica chiaramente le eventuali variazioni da un modello all'altro.

Simboli e note

Nel manuale sono utilizzati i seguenti simboli:

	Informazioni importanti e consigli utili.
	Rischio di vita e proprietà.
	Rischio di scosse elettriche.
	L'imballaggio del prodotto è fatto di materiali riciclabili, in conformità con la Normativa Ambientale Nazionale.

 INFORMAZIONI	
 SUPPLIER'S NAME:  MODEL IDENTIFIER:  (*)	Le informazioni sul modello memorizzate nella banca dati dei prodotti possono essere consultate sul seguente sito web, cercando l'identificativo del modello (*) presente sull'etichetta energetica. https://eprel.ec.europa.eu/

1. Istruzioni relative a sicurezza e ambiente **3**

1.1 Norme di sicurezza generali	3
1.1.1 Avvertenza HC.	4
1.1.2 Per i modelli con la fontana d'acqua.	5
1.2 Impiego conforme allo scopo previsto	5
1.3 Sicurezza bambini	5
1.4 Conformità con la Direttiva WEEE e smaltimento dei prodotti di scarico.	5
1.5 Conformità con la direttiva RoHS.	6
1.6 Informazioni sull'imballaggio.	6

2 Frigorifero **7**

3. Installazione **8**

3.1 Luogo idoneo per l'installazione.	8
3.2 Prima di avviare il frigorifero	8
3.3 Collegamenti elettrici.	9
3.4 Regolazione dei piedini	9
3.5 Inversione degli sportelli	10
3.6 Inversione degli sportelli	11

4 Preparazione **12**

4.1 Cose da fare ai fini del risparmio energetico	12
4.2 Uso iniziale.	12

5 Utilizzo del frigorifero **13**

5.1. Pulsante di impostazione della temperatura	13
5.2. Congelamento rapido	13

5 Uso del frigorifero **14**

5.3. Funzione assenza	14
5.4. Tasto di impostazione termostato.	15
5.5. Sbrinamento	15
5.6. Pannello dei comandi	16
5.7. Pannello dei comandi	17
5.8. Pannello dei comandi	19
5.9. Pannello dei comandi	22
5.10. Secchiello del ghiaccio	25
(Questa funzione è opzionale).	25

5.11. Scomparto per le uova	25
5.12. Ventola	25
5.13. Cestino per verdure	25
(Questa funzione è opzionale).	25
5.14. Scomparto zero gradi	25
(Questa funzione è opzionale).	25
5.15. Utilizzare il secondo scomparto del prodotto;	26
5.16. Ripiano mobile sportello	27
5.17. Scomparto scorrevole per la conservazione	27
(Questa funzione è opzionale).	27
5.18. Cestino per verdure a umidità controllata .	28
(Questa funzione è opzionale).	28
5.19. Modulo deodorizzatore	28
5.20. Macchina del ghiaccio automatica	29
(Questa funzione è opzionale).	29
5.21. HerbBox/HerbFresh	29
5.22. Icematic e contenitore per conservare il	30
ghiaccio.	30
(Questa funzione è opzionale)	30
5.23. Erogatore d'acqua	30
5.24. Uso dell'erogatore d'acqua.	31
5.25. Pulizia del serbatoio dell'acqua	32
5.26. Vaschetta per l'acqua.	33
5.27. Consigli per conservare alimenti surgelati	34
5.28. Dettagli congelatore	34
5.29. Posizionamento degli alimenti.	35
5.30. Avvertenza sportello aperto.	35
5.31. Cambiare la lampadina di illuminazione . .	35
5.32. Luce blu/HarvestFresh	35

6. Pulizia e manutenzione **36**

6.1. Evitare i cattivi odori	36
6.2. Protezione delle superfici in plastica.	36

7. Risoluzione dei problemi **37**

1. Istruzioni relative a sicurezza e ambiente

Questa sezione fornisce le istruzioni di sicurezza necessarie per evitare il rischio di lesioni e danni materiali. Il mancato rispetto di queste istruzioni invalida tutti i tipi di garanzia esistenti sul prodotto.

Uso previsto



AVVERTENZA:

Assicurarsi che i fori di ventilazione non siano chiusi quando il dispositivo è nella sua custodia o quando lo si inserisce nel suo alloggiamento.

AVVERTENZA:

Non utilizzare alcun dispositivo meccanico o altri dispositivi per accelerare il processo di sbrinamento e seguire solo i consigli del fabbricante.

AVVERTENZA:

Non danneggiare il circuito del liquido refrigerante.

AVVERTENZA: Non utilizzare apparecchi elettrici non consigliati dal fabbricante all'interno dei vani per la conservazione degli alimenti.

AVVERTENZA: Non conservare sostanze esplosive come aerosol con gas propellenti infiammabili nell'apparecchio.

Questo apparecchio è stato progettato per applicazioni domestiche e per la seguenti applicazioni similari:

- Per essere utilizzato nelle cucine del personale di negozi, uffici e altri luoghi di lavoro;
- Per essere utilizzato dai clienti negli alberghi e nelle case di campagna, motel e altri luoghi di alloggio.
- in ambienti tipo pensioni

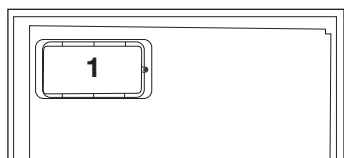
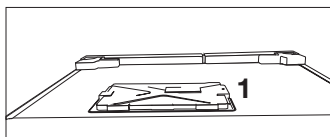
- in luoghi simili che non offrano servizi di ristorazione e non siano di vendita al dettaglio.

1.1 Norme di sicurezza generali

- Questo prodotto non dovrebbe essere usato da persone con disabilità a livello fisico, sensoriale e mentale, da persone senza un quantitativo sufficiente di conoscenze ed esperienza e da bambini. Queste persone potranno usare il dispositivo unicamente sotto la supervisione e le istruzioni di una persona responsabile della loro sicurezza. Ai bambini non dovrebbe essere consentito di giocare con questo dispositivo.
- In caso di malfunzionamento, scollegare il dispositivo.
- Dopo aver scollegato il dispositivo, attendere almeno cinque minuti prima di collegarlo nuovamente. Scollegare il prodotto se non viene usato. Non toccare la presa con le mani umide! Non tirare il cavo per eseguire lo scollegamento; prenderlo sempre per la spina.
- Non collegare il frigorifero se la presa sembra essere allentata.
- Scollegare il prodotto in fase di installazione, manutenzione, pulizia e riparazione.
- Qualora si preveda di non utilizzare il prodotto per un po' di tempo, scollegarlo ed estrarre gli eventuali elementi contenuti al suo interno.
- Non usare vapore o materiali detergenti a base di vapore per la pulizia del frigorifero e per lo scioglimento del ghiaccio al suo interno. Il vapore potrebbe entrare in contatto con le aree sotto tensione elettrica e causare cortocircuiti o scosse elettriche!
- Non lavare il prodotto spruzzando o versando acqua sullo stesso! Pericolo di scossa elettrica!

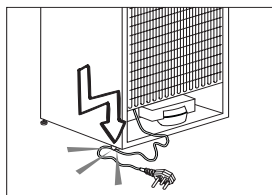
Istruzioni relativamente a sicurezza e ambiente

- Non usare mai il prodotto se la sezione che si trova sulla parte superiore o posteriore del prodotto, con le schede dei circuiti elettronici stampati all'interno, è aperta (coprire schede dei circuiti elettronici stampati) (1).



- In caso di malfunzionamento, non usare il prodotto, dato che potrebbe emettere scosse elettriche. Contattare il servizio autorizzato prima di intervenire.
- Collegare il prodotto a una presa che disponga di messa a terra. L'operazione di messa a terra deve essere eseguita da un elettricista qualificato.
- Qualora il prodotto disponga di un'illuminazione a LED, contattare l'assistenza autorizzata per la sostituzione.
- Non toccare alimenti congelati con le mani bagnate! Gli alimenti si potrebbero attaccare alle mani!
- Non posizionare liquidi in bottiglie o lattine all'interno dello scomparto congelatore. Potrebbero esplodere!
- Collocare i liquidi in posizione verticale dopo aver saldamente chiuso il tappo.
- Non spruzzare sostanze infiammabili vicino al prodotto. Potrebbero bruciare o esplodere!

- Non conservare materiali e prodotti infiammabili, come ad esempio spray, all'interno del frigorifero.
- Non collocare contenitori di liquidi sopra al prodotto. Gli spruzzi su parti sotto tensione potrebbero provocare scosse elettriche e rischio di incendio.
- L'esposizione del prodotto a pioggia, neve, sole e vento potrebbe causare pericoli a livello elettrico. Qualora sia necessario spostare il prodotto, non tirarlo per la maniglia della porta. La maniglia si potrebbe staccare.
- Evitare che parti delle mani o del corpo restino impigliate nei meccanismi mobili all'interno del prodotto.
- Non calpestare o appoggiarsi a porta, cassetti e altre componenti del frigorifero. Così facendo il prodotto potrebbe cadere e si potrebbe danneggiare.
- Fare attenzione a non bloccare il cavo di alimentazione.



1.1.1 Avvertenza HC

Qualora il prodotto sia dotato di sistema di raffreddamento che utilizza il gas R600a, fare attenzione ad evitare di danneggiare il sistema di raffreddamento e il relativo tubo in fase di utilizzo e spostamento del prodotto. Questo gas è infiammabile. Se viene danneggiato il sistema di raffreddamento, tenere il prodotto lontano da fonti di calore e provvedere immediatamente ad arieggiare la stanza.

Istruzioni relativamente a sicurezza e ambiente



Sul lato sinistro interno è indicato il tipo di gas utilizzato nel prodotto.

1.1.2 Per i modelli con la fontana d'acqua

- La pressione di ingresso dell'acqua fredda dovrebbe essere al massimo 90 psi (620 kPa). Qualora la pressione dell'acqua superi il valore 80 psi (550 kPa), utilizzare una valvola di limitazione della pressione nel sistema principale. Qualora non si sappia come verificare la pressione dell'acqua, chiedere aiuto a ad un idraulico professionista.
- In caso di rischio dell'effetto 'colpo d'ariete' nel proprio impianto, usare la strumentazione adatta per ridurre la probabilità di accadimento. Rivolgersi a idraulici professionisti in caso di dubbio relativamente alla presenza o meno dell'effetto 'colpo d'ariete' nel proprio impianto.
- Non installare l'ingresso dell'acqua calda. Prendere precauzioni contro il rischio di congelamento dei tubi. La gamma di funzionamento della temperatura dell'acqua dovrebbe essere 33°F (0.6°C) come minimo e 100°F (38°C) al massimo.
- Utilizzare solo acqua potabile.

1.2 Impiego conforme allo scopo previsto

- Questo prodotto è stato pensato per essere utilizzato in ambito domestico. Non è stato pensato per un uso di tipo commerciale.
- Il prodotto dovrebbe essere utilizzato unicamente per la conservazione di alimenti e bevande.
- Non tenere prodotti dedicati, che richiedano temperature controllate, quali ad esempio vaccini, farmaci

sensibili al calore, all'interno del frigorifero.

- Il produttore non si assume nessuna responsabilità per gli eventuali danni causati da un cattivo utilizzo o da un uso scorretto.
- I pezzi di ricambio originali verranno forniti per 10 anni, successivamente alla data di acquisto del prodotto.

1.3 Sicurezza bambini

- Tenere gli imballaggi fuori dalla portata dei bambini.
- Non permettere ai bambini di giocare con il prodotto.
- Qualora la porta del prodotto comprenda un lucchetto, tenere la chiave fuori dalla portata dei bambini.

1.4 Conformità con la Direttiva WEEE e smaltimento dei prodotti di scarico

Questo prodotto è conforme alla direttiva WEEE dell'UE (2012/19/EU). Questo prodotto è dotato di un simbolo di classificazione per i prodotti elettrici ed elettronici di scarto (WEEE).



Il prodotto è stato realizzato con componenti e materiali di alta qualità che possono essere riutilizzati oltre che riciclati. Non smaltire il prodotto con i normali rifiuti domestici e altri rifiuti al termine del suo ciclo di vita utile.

Portare il prodotto a un centro di raccolta per il riciclaggio della strumentazione elettrica ed elettronica. Consigliamo di rivolgersi alle autorità locali per ulteriori informazioni su questi centri di raccolta.

Istruzioni relativamente a sicurezza e ambiente

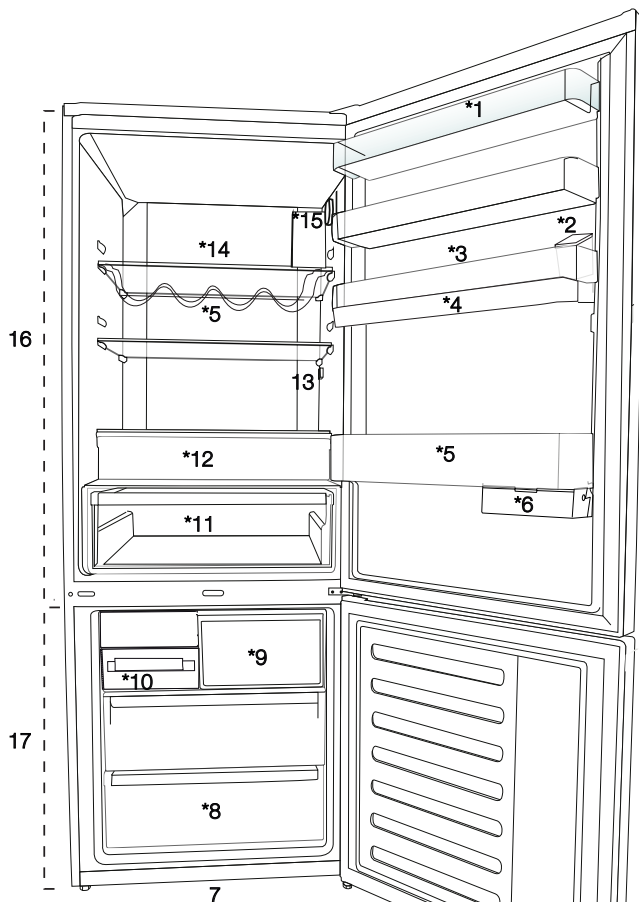
1.5 Conformità con la direttiva RoHS

- Questo prodotto è conforme alla direttiva WEEE dell'UE (2011/65/EU). Non contiene materiali dannosi e proibiti, indicati nella Direttiva.

1.6 Informazioni sull'imballaggio

- I materiali che compongono l'imballo del prodotto sono realizzati a partire da materiali riciclabili in conformità con le Normative Ambientali Nazionali. Non smaltire i materiali dell'imballo congiuntamente ai rifiuti domestici o ad altri rifiuti. Portarli presso i punti di raccolta imballaggi indicati dalle autorità locali.

2 Frigorifero



1. Ripiano sportello scomparto Coolerraggruppamento
2. Contenitore riempimento erogatore acqua
3. Porta uova
4. Serbatoio erogatore acqua
5. Ripiano bottiglie
6. Contenitori scorrevoli per la conservazione
7. Piedini regolabili
8. Scomparto freezer
9. Scomparto Quick Freeze
10. Portaggiaccio & banca Ice
11. Cestino per verdure
12. Scomparto zero gradi
13. Luce interna
14. Ripiano di vetro scomparto Cooler
15. Pulsante di regolazione della temperatura
16. Scomparto Cooler
17. Scomparto freezer



*Opzionale: Le figure in questo manuale utente sono schematiche, e potrebbero non corrispondere esattamente al prodotto. Qualora il prodotto non contenga le parti descritte, l'informazione riguarda altri modelli.

3. Installazione

3.1 Luogo idoneo per l'installazione

Rivolgersi al Servizio Autorizzato per l'installazione del prodotto. Per rendere il prodotto pronto per essere installato, confrontare le informazioni nella guida dell'utente e accertarsi che i servizi elettrici e idrici siano presenti. In caso contrario contattare un elettricista e un idraulico per rendere questi servizi conformi ai requisiti.



AVVERTENZA: Il produttore non si assume nessuna responsabilità per gli eventuali danni causati dagli interventi eseguiti da personale non autorizzato.



AVVERTENZA: Il cavo di alimentazione del prodotto deve essere scollegato in fase di utilizzo. Il mancato rispetto di queste istruzioni potrebbe provocare morte o altre gravi lesioni!



AVVERTENZA: Qualora la porta sia troppo stretta per consentire il passaggio del prodotto, togliere la porta e ruotarla; qualora ciò non funzioni, contattare il servizio autorizzato.



AVVERTENZA: Avvertenza superficie calda
Le pareti laterali del prodotto sono dotate di tubi refrigeranti per migliorare il sistema di raffreddamento. Il refrigerante a temperature elevate potrebbe scorrere in queste aree, causando così superfici calde sulle pareti laterali. Non si tratta di un'anomalia di funzionamento e non sono necessari interventi di manutenzione. Fare attenzione quando si toccano queste aree

- Collocare il prodotto su una superficie piana per evitare le vibrazioni.
- Collocare il prodotto ad almeno a 30 cm dal termosifone, dalla stufa e da altre fonti di calore e ad almeno 5 cm da eventuali forni elettrici.
- Non esporre il prodotto alla luce solare diretta o conservare in ambienti umidi.

- Il prodotto richiede una circolazione adeguata dell'aria per funzionare in modo efficace. Qual'ora il prodotto venga posizionato in un padiglione estivo, ricordare di lasciare una distanza di almeno 5 cm fra il prodotto, il soffitto, e le pareti.
- Non installare il prodotto in ambienti con temperature inferiori ai 5°.
- Il prodotto necessita di adeguata ventilazione per un funzionamento efficiente. Se in prodotto viene collocato in una alcova, lasciare almeno 5 cm di spazio tra il prodotto, il soffitto, i muri laterali e il muro retrostante.
- Se in prodotto viene collocato in una alcova, lasciare almeno 5 cm di spazio tra il prodotto, il soffitto, i muri laterali e il muro retrostante. Controllare se il componente di protezione della parete posteriore è presente e nel suo alloggiamento (se fornito con il prodotto). Se il componente non è disponibile, o se è stato smarrito o è caduto, posizionare il prodotto in modo tale da lasciare almeno 5 cm di spazio libero tra il retro del prodotto e le pareti del locale. Lo spazio libero nella parte posteriore è importante per il funzionamento efficiente del prodotto.

3.2 Prima di avviare il frigorifero

Controllare quanto segue prima di utilizzare il frigorifero:

1. Montare i 2 cunei in plastica come illustrato sotto. I cunei in plastica servono a mantenere la distanza che assicura la circolazione dell'aria tra frigorifero e parete. (L'immagine è creata per illustrare e non è identica all'apparecchio).
2. Pulire la parte interna del frigorifero come consigliato nella sezione "Manutenzione e pulizia".
3. Collegare la spina del frigorifero alla presa elettrica. Quando lo sportello del frigorifero è aperto, la lampadina interna si accende.
4. Quando il compressore comincia a funzionare, si sente un rumore. I liquidi e i gas sigillati nel sistema refrigerante possono produrre dei rumori, anche se il compressore non è in funzione; questo è abbastanza normale.

Installazione

5. I bordi anteriori del frigorifero possono essere tiepidi. Questo è normale. Queste zone sono progettate per essere tiepide per evitare la condensazione.

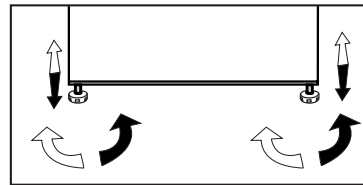
3.3 Collegamenti elettrici

Collegare il frigorifero ad una presa di messa a terra protetta da un fusibile della capacità appropriata. Importante:

- Il collegamento deve essere conforme ai regolamenti nazionali.
- La spina elettrica deve essere facilmente accessibile dopo l'installazione.
- La sicurezza elettrica del frigorifero è garantita unicamente se il sistema di messa a terra dell'apparecchiatura è conforme agli standard.
- La tensione dichiarata sull'etichetta che si trova nel lato interno a sinistra dell'apparecchio deve essere pari alla tensione di rete

3.4 Regolazione dei piedini

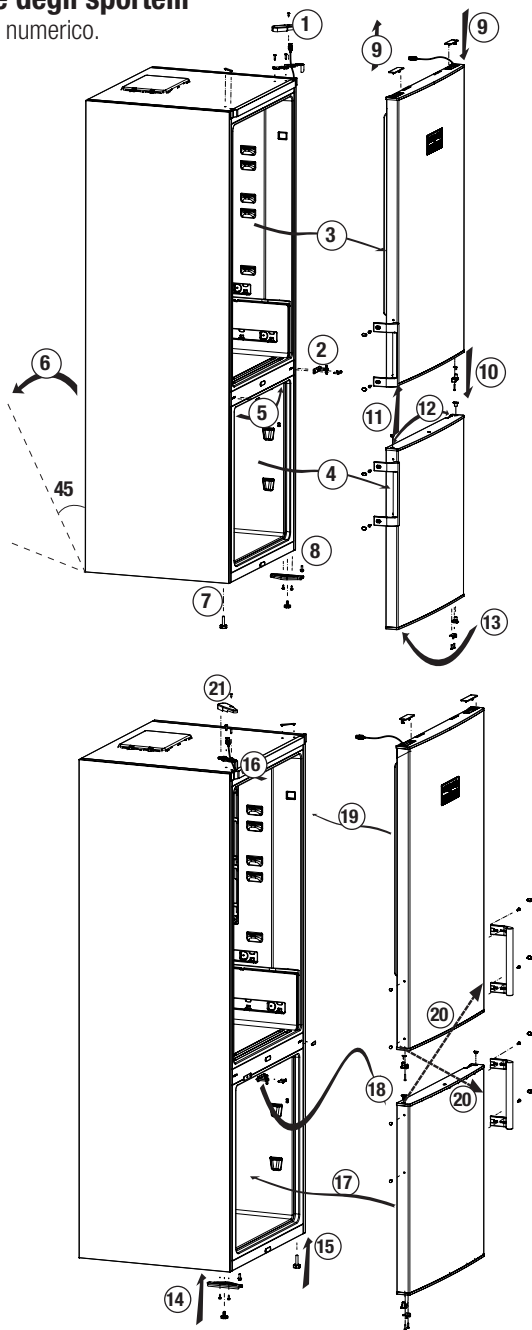
Se il frigorifero non è in equilibrio: è possibile bilanciare il frigorifero ruotando i piedini anteriori come illustrato in figura. L'angolo in cui i piedini sono più bassi quando girati in direzione della freccia nera e rialzati quando girati in direzione opposta. Un aiuto per sollevare leggermente il frigorifero faciliterà tale processo.



Installazione

3.5 Inversione degli sportelli

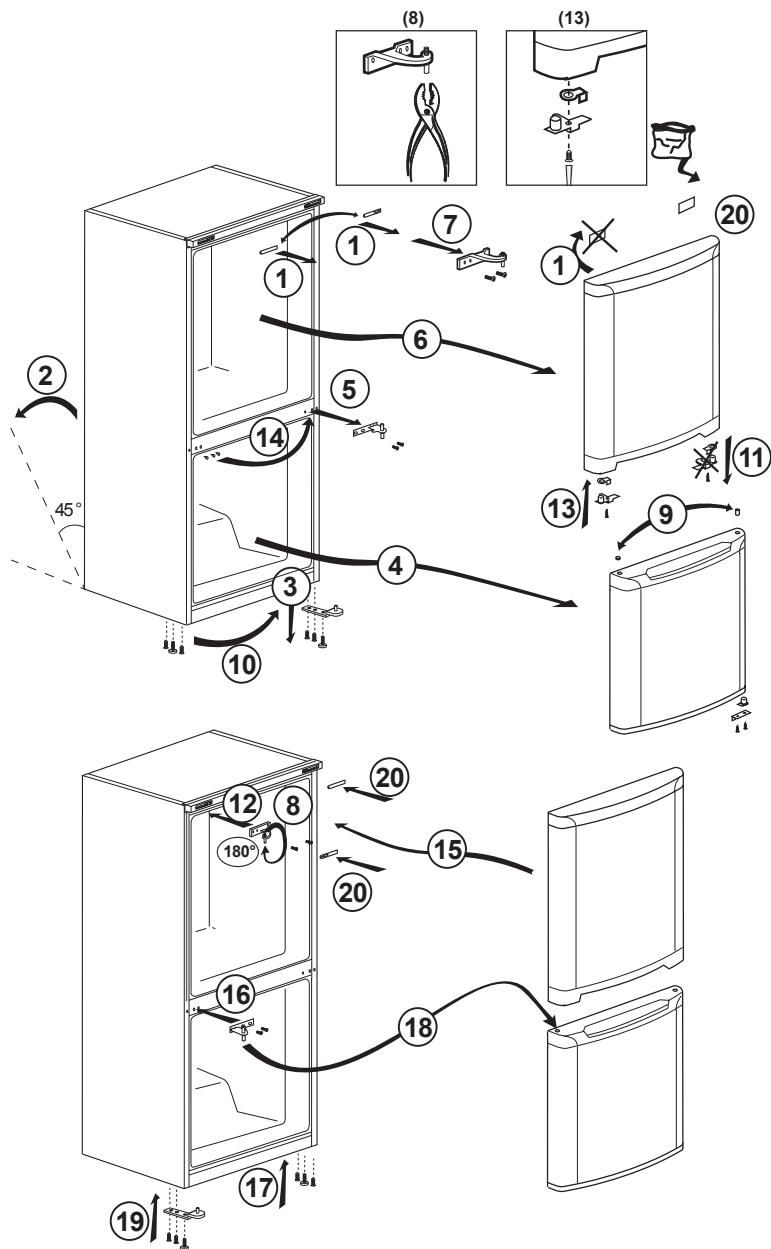
Procedere in ordine numerico.



Installazione

3.6 Inversione degli sportelli

Procedere in ordine numerico.



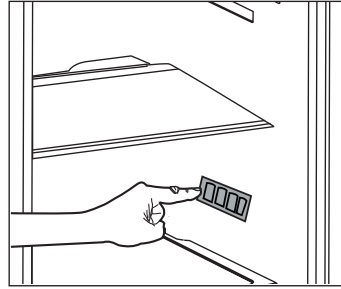
4 Preparazione

4.1 Cose da fare ai fini del risparmio energetico



La connessione dell'apparecchio a sistemi elettronici di risparmio energetico è rischiosa poiché potrebbe provocare danni all'apparecchio.

- Per apparecchio indipendente; “questo apparecchio refrigerante non è destinato a essere utilizzato come apparecchio da incasso.
- Non lasciare lo sportello del frigorifero aperto per lunghi periodi.
- Non mettere alimenti o bevande caldi nel frigorifero.
- Non sovraccaricare il frigorifero; il blocco del flusso interno dell'aria riduce la capacità di raffreddamento.
- Per conservare la quantità massima di alimenti nello scomparto Cooler del frigorifero, bisogna estrarre i cassetti superiori e metterli sul ripiano di vetro. Il consumo energetico dichiarato per il frigorifero è stato stabilito estraendo lo scomparto Cooler, il vassoio del ghiaccio e i cassetti superiori in modo da consentire la conservazione massima. L'uso del cassetto inferiore è fortemente raccomandato. La funzione di risparmio energetico deve essere attivata per un migliore consumo energetico.
- Non bisogna bloccare il flusso dell'aria mettendo gli alimenti davanti alla ventola del Cooler. Uno spazio di almeno 3 cm deve essere lasciato davanti alla griglia della ventola protettiva quando si posizionano gli alimenti.
- A seconda delle caratteristiche dell'apparecchio, scongelare nello scomparto Cooler gli alimenti congelati assicura risparmio energetico e conserva la qualità degli alimenti.
- Gli alimenti devono essere conservati nei cassetti dello scomparto Cooler per assicurare risparmio energetico e proteggere gli alimenti in condizioni migliori.
- Le confezioni con gli alimenti non devono essere a contatto diretto con il sensore di calore che si trova nello scomparto Cooler. Se sono in contatto con il sensore, il consumo energetico dell'apparecchio potrebbe aumentare.



- Assicurarsi che gli alimenti non siano in contatto con il sensore della temperatura dello scomparto Cooler descritto sotto.

4.2 Uso iniziale

Prima di utilizzare il frigorifero, assicurarsi di eseguire le preparazioni necessarie in linea con le istruzioni delle sezioni “Istruzioni per sicurezza e ambiente” e “Installazione”.

- Tenere l'apparecchio in funzione senza alimenti all'interno per 6 ore e non aprire lo sportello, a meno che non sia assolutamente necessario.



Si sente un suono quando il compressore si innesca. È normale sentire il suono anche quando il compressore non è attivo, a causa dei liquidi e dei gas compressi nel sistema di refrigerazione.



I bordi anteriori dell'apparecchio potrebbero riscaldarsi. Questo è normale. Il riscaldamento di queste parti è concepito per impedire la condensa.



In alcuni modelli il pannello indicato si spegne automaticamente 5 minuti dopo la chiusura dello sportello. Si riattiva quando lo sportello viene aperto o se viene premuto un pulsante.

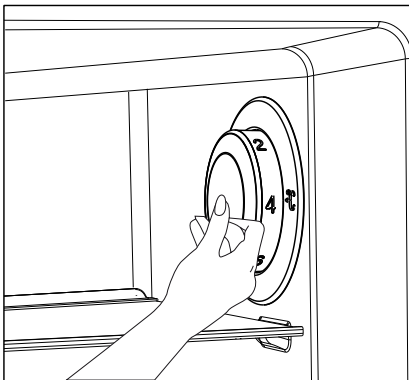
- Poiché l'aria calda e umida non penetra direttamente nel prodotto quando le porte non sono aperte, il prodotto si ottimizza in condizioni sufficienti a proteggere il cibo. Funzioni e componenti quali compressore, ventola, caloriferi, sbrinamento, illuminazione, display e via dicendo funzionano secondo necessità per consumare il minimo di energia in tali circostanze.

5 Utilizzo del frigorifero

5.1. Pulsante di impostazione della temperatura

La temperatura interna del frigorifero cambia per le seguenti cause;

- Temperature stagionali,
- Apertura frequente dello sportello e sportello lasciato aperto per lunghi periodi,
- Alimenti messi nel frigorifero senza lasciarli prima raffreddare a temperatura ambiente,
- Posizionamento del frigorifero nella stanza (per esempio, esposizione alla luce solare).
- Si può regolare la temperatura interna del frigorifero, che varia a causa di questi fattori, utilizzando il pulsante di impostazione.
- I numeri della manopola di controllo indicano i valori di temperatura in "°C".
- Se la temperatura ambiente è 25 °C, consigliamo di usare la manopola di controllo della temperatura del frigorifero sulla posizione 4°C. Questo valore può essere aumentato o diminuito come richiesto da altre temperature ambientali.

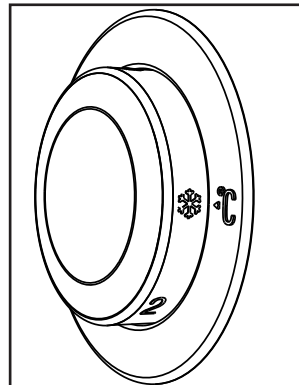


5.2. Congelamento rapido

Se è necessario congelare grosse quantità di alimenti freschi, portare la manopola di controllo (❄️) sulla posizione max. 24 ore prima di mettere gli alimenti freschi nello scomparto di congelamento rapido.

Si consiglia di tenere la manopola in questa posizione per almeno 24 ore per congelare la quantità massima di cibo fresco riportata come capacità di congelamento. Fare attenzione a non mescolare cibi congelati e cibi freschi.

Ricordare di riportare la manopola di controllo della temperatura sulla posizione precedente quando gli alimenti si sono congelati.



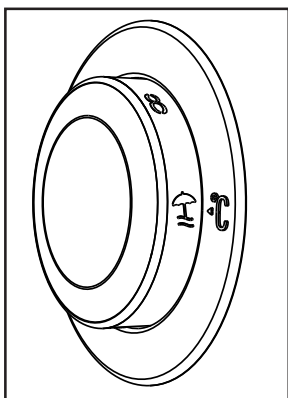
Utilizzo del frigorifero

5.3. Funzione assenza

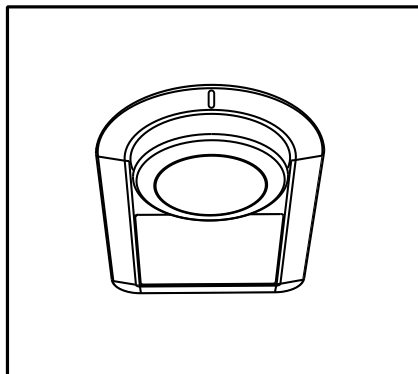
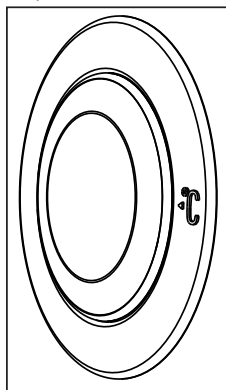
Se gli sportelli dell'apparecchio non sono aperti per 12 ore dopo il posizionamento della manopola di controllo della temperatura sulla posizione più alta, allora si attiva automaticamente la funzione assenza.

Per annullare questa funzione, modificare l'impostazione della manopola.

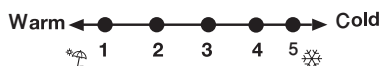
Non si consiglia di conservare alimenti nello scomparto più freddo quando è attiva la funzione assenza.



- Quando l'operazione di impostazione è completa, si può premere la manopola di controllo della temperatura e nascondersela.



La temperatura di funzionamento è regolata con il comando temperatura.



1=impostazione raffreddamento minimo (Impostazione più calda)

4=impostazione raffreddamento massimo (Impostazione più fredda)

La temperatura media all'interno del frigo dovrebbe essere intorno a +5°C.

Scegliere l'impostazione secondo la temperatura desiderata.

Notare che ci saranno temperature diverse nell'area di refrigerazione.

La sezione più fredda è quella immediatamente sopra lo scomparto per le verdure.

La temperatura interna dipende anche dalla temperatura ambiente, dalla frequenza con cui lo sportello viene aperto e dalla quantità di cibo contenuto all'interno.

L'apertura frequente della porta provoca un aumento della temperatura interna.

Per questo motivo si consiglia di chiudere la porta subito dopo l'uso, il più velocemente possibile.

Utilizzo del frigorifero

5.4. Tasto di impostazione termostato

La temperatura interna del frigorifero cambia per le seguenti cause;

- Temperature stagionali,
- Apertura frequente dello sportello e sportello lasciato aperto per lunghi periodi,
- Alimenti messi nel frigorifero senza lasciarli prima raffreddare a temperatura ambiente,
- Posizionamento del frigorifero nella stanza (per esempio, esposizione alla luce solare).
- Si può regolare la temperatura interna del frigorifero, che varia a causa di questi fattori, utilizzando il termostato. I numeri riportati intorno al tasto indicano i gradi di raffreddamento.
- Se la temperatura ambiente è superiore ai 32°C, ruotare il tasto del termostato fino al punto massimo.
- Se la temperatura ambiente è inferiore ai 25°C, ruotare il tasto del termostato fino al punto minimo.

5.5. Sbrinamento

Scomparto frigo

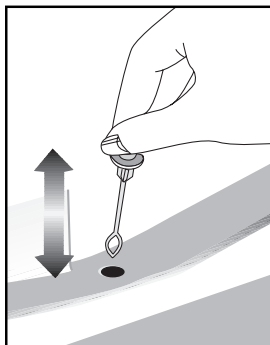
Lo scomparto frigo effettua l'operazione di sbrinamento in modo totalmente automatico. È possibile che durante la fase di sbrinamento del frigo si formi uno strato di brina fino a 7-8 mm sulla parete posteriore dello scomparto frigo. Tale fenomeno è una normale conseguenza del sistema di raffreddamento. La brina viene eliminata mediante uno sbrinamento automatico a intervalli, grazie al sistema di sbrinamento automatico posto sulla parete posteriore. Non è pertanto necessario raschiare la brina o rimuovere le gocce d'acqua.

L'acqua che viene prodotta dallo sbrinamento passa per la scanalatura di raccolta dell'acqua e fluisce nell'evaporatore attraverso il tubo di scarico e da lì evapora.

Lo scomparto del surgelatore non effettua operazioni di sbrinamento automatico per evitare di compromettere l'integrità dei cibi congelati.

Lo scomparto freezer si sbrina automaticamente.

Controllare regolarmente per vedere se il tubo di evaporazione è bloccato o meno, e pulirlo con il bastoncino nel foro, quando necessario.

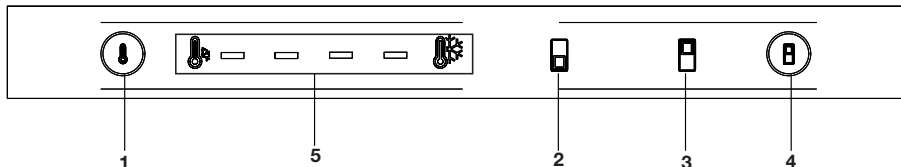


Utilizzo del frigorifero

5.6. Pannello dei comandi

I pannelli degli indicatori possono variare secondo il modello del prodotto.

Il pannello degli indicatori aiuta ad usare il frigorifero con le relative funzioni audio e visive.



- 1.** Tasto per modificare il valore di raffreddamento: viene utilizzato per regolare il valore di raffreddamento degli scomparti frigo e freezer. Se si preme questo tasto mentre l'indicatore dello scomparto freezer (2) è acceso, il raffreddamento dello scomparto freezer verrà modificato. Se si preme questo tasto mentre l'indicatore dello scomparto frigo (3) è acceso, il raffreddamento dello scomparto frigo verrà modificato.
- 2.** Indicatore scomparto freezer: quando questo indicatore è acceso, il valore di raffreddamento corrente dello scomparto Freezer verrà visualizzato sull'indicatore di raffreddamento (5). È possibile premere il tasto per modificare il valore di raffreddamento (1) per modificare il valore di raffreddamento dello scomparto freezer.
- 3.** Indicatore scomparto frigo: quando questo indicatore è acceso, il valore di raffreddamento corrente dello scomparto Frigo verrà visualizzato sull'indicatore di raffreddamento (5). È possibile premere il tasto per modificare il valore di raffreddamento (1) per modificare il valore di raffreddamento dello scomparto frigo.
- 4.** Tasto di selezione dello scomparto: viene usato per selezionare gli scomparti frigo e freezer.
- 5.** Indicatore di raffreddamento: mostra il valore di raffreddamento dello scomparto selezionato. Valore di raffreddamento aumentato da sinistra a destra.



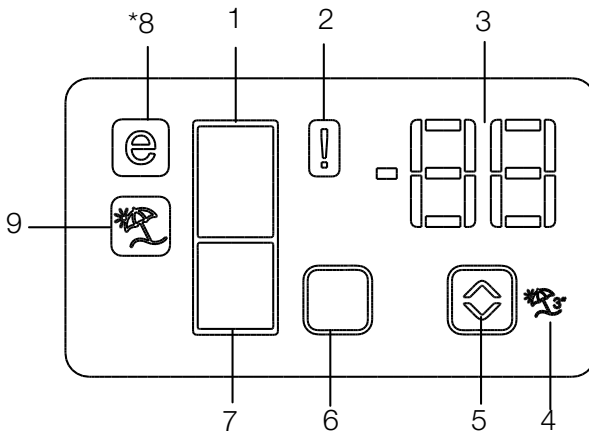
*Opzionale: Le figure in questo manuale utente sono schematiche, e potrebbero non corrispondere esattamente al prodotto. Qualora il prodotto non contenga le parti descritte, l'informazione riguarda altri modelli.

Utilizzo del frigorifero

5.7. Pannello dei comandi

I pannelli degli indicatori possono variare secondo il modello del prodotto.

Il pannello degli indicatori aiuta ad usare il frigorifero con le relative funzioni audio e visive.



1. Indicatore scoproto frigo
2. Indicatore stato errore
3. Indicatore temperatura
4. Tasto Vacation
5. Tasto di impostazione della temperatura
6. Pulsante di selezione dello scoproto
7. Indicatore scoproto freezer
8. Indicatore modalità risparmio
9. Indicatore funzione vacanza



*Opzionale: Le figure in questo manuale utente sono schematiche, e potrebbero non corrispondere esattamente al prodotto. Qualora il prodotto non contenga le parti descritte, l'informazione riguarda altri modelli.

Utilizzo del frigorifero

1. Indicatore scomparto frigo

La luce dello scomparto frigo si accende quando si regola la temperatura dello scomparto frigo.

2. Indicatore stato errore

Se il frigo non raffredda in modo adeguato o se c'è un guasto ai sensori, questo indicatore sarà attivato. Quando questo indicatore è attivo, l'indicatore della temperatura dello scomparto freezer visualizza "E" e l'indicatore della temperatura dello scomparto frigo visualizza numeri come "1,2,3...". Questi numeri sull'indicatore forniscono informazioni sull'errore al personale dell'assistenza.

3. Indicatore temperatura

Indica le temperature di scomparto frigo e freezer.

4. Pulsante Vacation

Tenere premuto questo pulsante per 3 secondi per attivare la funzione assenza. Premere di nuovo questo pulsante per disattivare la funzione selezionata.

5. Pulsante di impostazione della temperatura

Cambia la temperatura dello scomparto pertinente tra -24°C... -18°C e 8°C...1°C.

6. Scomparto frigo

Premere il pulsante di selezione scomparto frigo per passare tra gli scomparti frigo e freezer.

7. Indicatore scomparto freezer

La luce dello scomparto freezer si accende quando si regola la temperatura dello scomparto freezer.

8. Indicatore modalità Economy

Indica che il frigorifero è in funzione in modalità a risparmio energetico. Questo indicatore si attiva se la temperatura dello scomparto freezer è impostata su -18 °C.

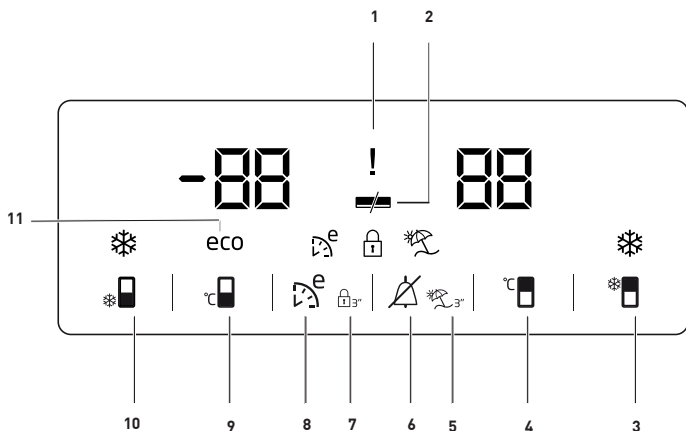
9. Indicatore funzione vacanza

Indica che la funzione vacanza è attiva.

Utilizzo del frigorifero

5.8. Pannello dei comandi

Il pannello con gli indicatori consente di impostare la temperatura e di controllare le altre funzioni collegate all'apparecchio senza aprire lo sportello dell'apparecchio. Basta premere le scritte sui pulsanti pertinenti per l'impostazione delle funzioni.



1. Mancanza di alimentazione / Alta temperatura / Indicatore di stato di errore

Questo indicatore (!) si illumina in caso di mancanza di corrente, temperatura elevata e avvisi di errore.

Quando la temperatura dello scomparto congelatore si scalda fino a un livello critico per gli alimenti congelati, il valore massimo raggiunto dalla temperatura dello scomparto congelatore lampeggia sull'indicatore digitale.

Controllare gli alimenti nello scomparto congelatore.

Non si tratta di un malfunzionamento. L'avviso può essere cancellato premendo un tasto qualsiasi o il tasto di spegnimento dell'allarme di alta temperatura. (L'annullamento mediante la pressione di un tasto qualsiasi non è applicabile a tutti i modelli).

Questo indicatore (⚡) si illumina anche quando si verifica un guasto del sensore. Quando questo indicatore è illuminato, "E" e delle cifre come "1,2,3..." vengono visualizzate alternativamente sull'indicatore della temperatura. Queste cifre sull'indicatore informano il personale specializzato dell'errore.

2. Funzione risparmio energetico (display spento):

Se gli sportelli dell'apparecchio sono tenuti chiusi a lungo, si attiva automaticamente una funzione di risparmio energetico a lungo termine e si accende il simbolo del risparmio energetico. (🔒)




*Opzionale: Le figure in questo manuale utente sono schematiche, e potrebbero non corrispondere esattamente al prodotto. Qualora il prodotto non contenga le parti descritte, l'informazione riguarda altri modelli.

Utilizzo del frigorifero

Quando la funzione di risparmio energetico è attiva, tutti simboli sul display tranne quella del risparmio energetico si spengono. Quando la funzione risparmio energetico è attivata, se viene premuto un pulsante o lo sportello è aperto, si esce dalla modalità risparmio energetico e i simboli sul display tornano normali.


La funzione di risparmio energetico è attivata al momento della consegna della fabbrica e non può essere annullata.

3. Funzione Quick Fridge



Questo pulsante ha due funzioni. Per attivare o disattivare la funzione Quick Cool premerlo brevemente. L'indicatore Quick Cool si spegnerà e l'apparecchio tornerà alle sue normali impostazioni. ()

	Usare la funzione Quick Cool quando si desidera raffreddare velocemente gli alimenti posti nello scomparto frigo. Se è necessario raffreddare grandi quantità di cibo fresco, attivare questa funzione prima di inserire il cibo nel frigo.
	Se non si annulla manualmente, la funzione Quick Cool si annullerà automaticamente dopo 1 ore o quando lo scomparto frigo ha raggiunto la temperatura richiesta.
	Premendo il pulsante Quick Cool ripetutamente a brevi intervalli, il compressore non comincerà a funzionare immediatamente, in quanto il sistema di protezione del circuito elettronico sarà attivato.
	Questa funzione non viene richiamata quando l'alimentazione si ripristina dopo un'assenza di corrente.

4. Tasto di impostazione temperatura scomparto frigo

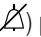
Premere questo pulsante per impostare la temperatura dello scomparto frigo rispettivamente su 8,7,6, 5,4,3, 2 ,1 ,8... Premere questo pulsante per impostare la temperatura desiderata per lo scomparto frigo. ()

5. Funzione assenza

Per attivare la funzione assenza, premere questo pulsante () per 3 secondi e l'indicatore della modalità Vacation () si attiva. Quando la funzione assenza è attiva, “-” si visualizza sull'indicatore della temperatura dello scomparto frigo e non viene eseguito il raffreddamento attivo nello scomparto frigo. Non si possono conservare gli alimenti nello scomparto frigo quando questa funzione è attivata. Gli altri scomparti saranno ancora raffreddati secondo la loro temperatura impostata.


Per annullare questa funzione, premere di nuovo il pulsante della funzione assenza.


6. Termine dell'avviso di alta temperatura:

In caso di mancanza di corrente/avviso di alta temperatura, è possibile cancellare l'avviso () premendo un tasto qualsiasi sull'indicatore o il tasto di spegnimento dell'allarme di alta temperatura per 1 secondo dopo aver controllato gli alimenti all'interno del congelatore.

Nota: La cancellazione premendo un pulsante qualsiasi non è applicabile a tutti i modelli.

7. Blocco tasti,

Premere il pulsante di blocco tasti () contemporaneamente per 3 secondi. Simbolo blocco tasti


() si accende e si attiva la modalità blocco tasti. I pulsanti non funzionano quando è attiva la modalità blocco tasti. Premere di nuovo il pulsante di blocco tasti per 3 secondi. Il

Utilizzo del frigorifero


Il display si spegne e si esce dalla modalità blocco tasti.

Premere il pulsante **blocco tasti** se si desidera impedire la modifica dell'impostazione di temperatura del frigorifero ().


8. Eco fuzzy

Tenere premuto il pulsante Eco Fuzzy per 1 secondo per attivare la funzione Eco Fuzzy. Se viene attivata questa funzione, il frigo comincia a funzionare con la modalità più economica minimo 6 ore dopo e l'indicatore di uso economico si accende (). Tenere premuto il pulsante Eco Fuzzy per 3 secondi per disattivare la funzione Eco Fuzzy. Questo indicatore si accende dopo 6 ore quando si attiva la funzione Eco Fuzzy.

9. Tasto di impostazione temperatura scomparto freezer

Premere questo pulsante per impostare la temperatura dello scomparto freezer a -18, -19, -20, -21, -22, -23, -24, -18..., rispettivamente. Premere questo pulsante per impostare la temperatura desiderata per lo scomparto freezer. ()

10. Pulsante funzione Quick Freeze/ Pulsante Icematic on-off

Premere questo pulsante per attivare o disattivare la funzione Quick Freeze. Quando si attiva la funzione, lo scomparto freezer viene raffreddato a una temperatura inferiore rispetto a quella impostata. () Per attivare e disattivare l'Icematic, tenerlo premuto per 3 secondi.



Usare la funzione Quick Freeze quando si desidera congelare velocemente gli alimenti posti nello scomparto frigo. Se è necessario congelare grandi quantità di cibo fresco, attivare questa funzione prima di inserire il cibo nel frigo.



Se non si annulla manualmente, la funzione Quick Freeze si annullerà automaticamente dopo 24 ore o quando lo scomparto frigo ha raggiunto la temperatura richiesta.



Questa funzione non viene richiamata quando l'alimentazione si ripristina dopo un'assenza di corrente.

11. Indicatore uso economico

Indica che l'apparecchio è in funzione in modalità a risparmio energetico. (**eco**) Questo indicatore sarà attivo se la temperatura dello scomparto freezer è impostata su -18 o se il raffreddamento a risparmio energetico è attivo grazie alla funzione Eco-Extra.

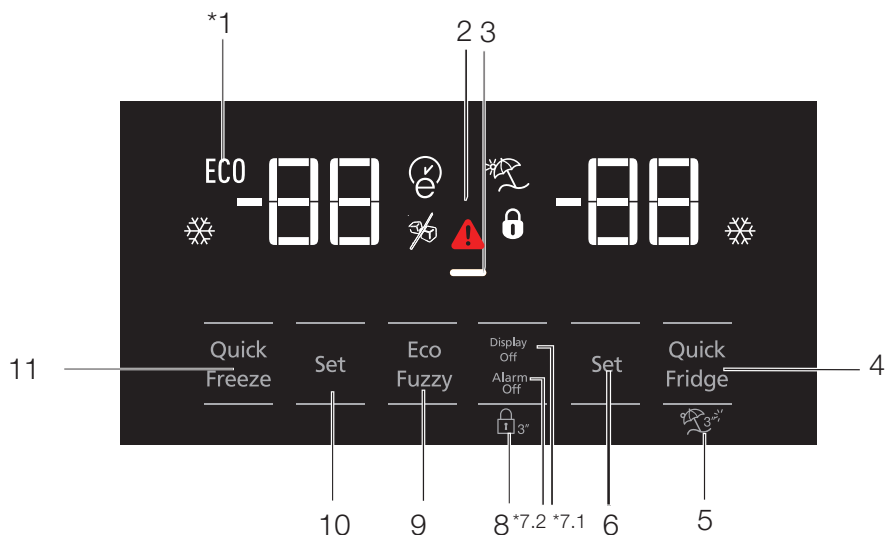


L'indicatore dell'uso economico si spegne quando sono selezionate le funzioni Quick Cool o Quick Freeze.

Utilizzo del frigorifero

5.9. Pannello dei comandi

Il pannello con gli indicatori consente di impostare la temperatura e di controllare le altre funzioni collegate all'apparecchio senza aprire lo sportello dell'apparecchio. Basta premere le scritte sui pulsanti pertinenti per l'impostazione delle funzioni.



1. Economy

Questo simbolo si accende quando lo scomparto freezer è impostato a -18°C. Questo è il valore di impostazione più economico (ECO). L'indicatore Economy si spegne quando sono selezionate le funzioni di raffreddamento o congelamento rapido.

2. Indicatore di avvertenza errore/alta temperatura

Questo indicatore (🚨) si accende in caso di problemi di alta temperatura e avvertenze di errore.

3. Funzione risparmio energetico (display spento)

Se gli sportelli dell'apparecchio sono tenuti chiusi a lungo, si attiva automaticamente una funzione di risparmio energetico a lungo termine e si accende il simbolo del risparmio energetico. Quando la funzione di risparmio energetico è attiva, tutti i simboli sul display tranne quella del risparmio energetico si spengono. Quando la funzione risparmio energetico è attivata, se viene premuto un pulsante o lo sportello è aperto, si esce dalla modalità risparmio energetico e i simboli sul display tornano normali.




*Opzionale: Le figure in questo manuale utente sono schematiche, e potrebbero non corrispondere esattamente al prodotto. Qualora il prodotto non contenga le parti descritte, l'informazione riguarda altri modelli.


Utilizzo del frigorifero

La funzione di risparmio energetico è attivata al momento della consegna della fabbrica e non può essere annullata.

4. Raffreddamento veloce


L'indicatore Quick Cool () si accende quando la funzione di raffreddamento rapido si attiva e il valore dell'indicatore della temperatura dello scomparto frigo viene visualizzato come 1. Per annullare questa funzione, premere nuovamente il pulsante Quick Cool. L'indicatore Quick Cool si spegnerà e il frigorifero tornerà alle sue normali impostazioni. La funzione Quick Cool si annulla automaticamente entro 1 ora se non la si annulla prima. Se si vogliono raffreddare grandi quantità di alimenti freschi, premere il pulsante Quick Cool prima di inserire gli alimenti nello scomparto frigo.

5. Funzione assenza

Per attivare la funzione assenza, premere il pulsante n. (5) () per 3 secondi e si attiva l'indicatore della modalità assenza. Quando la funzione assenza è attiva, " - - " si visualizza sull'indicatore della temperatura dello scomparto frigo e non viene eseguito il raffreddamento attivo nello scomparto frigo. Non si possono conservare gli alimenti nello scomparto frigo quando questa funzione è attivata. Gli altri scomparti saranno ancora raffreddati secondo la loro temperatura impostata.

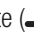
Per annullare questa funzione, premere di nuovo il pulsante della **funzione assenza**.


6. Impostazione temperatura scomparto frigo

Quando il pulsante n. (6) è premuto, si può impostare la temperatura dello scomparto frigo 8,7,6,5,4,3,2 e 1 rispettivamente ()

7.1 Funzione risparmio energetico (display spento):

Il simbolo di risparmio energetico () si


accende e la funzione di risparmio energetico si attiva quando si preme questo pulsante ()


). Quando la funzione di risparmio energetico è attiva, tutti simboli sul display tranne quella del risparmio energetico si spengono. Quando la funzione risparmio energetico è attivata, se viene premuto un pulsante o lo sportello è aperto, si esce dalla modalità risparmio energetico e i simboli sul display tornano normali. Il simbolo del risparmio energetico si spegne e la funzione di risparmio energetico si disattiva quando si preme di nuovo questo pulsante ()

7.2 Avvertenza disattivazione allarme

In caso di allarme per assenza di alimentazione/elevata temperatura, dopo aver controllato gli alimenti che si trovano nello scomparto freezer, premere il pulsante di disattivazione allarme per annullare l'allarme.


8. Blocco tasti

Premere il pulsante di blocco tasti () contemporaneamente per 3 secondi. Simbolo blocco tasti

() si accende e si attiva la modalità blocco tasti. I pulsanti non funzionano quando è attiva la modalità blocco tasti. Premere di nuovo il pulsante di blocco tasti per 3 secondi. Il simbolo del blocco tasti si spegne e si esce dalla modalità blocco tasti.

Premere il pulsante **blocco tasti** se si desidera impedire la modifica dell'impostazione di temperatura del frigorifero ()

9. Eco Fuzzy

Tenere premuto il pulsante Eco Fuzzy per 1 secondo per attivare la funzione Eco Fuzzy. Se viene attivata questa funzione, il frigo comincia a funzionare con la modalità più economica minimo 6 ore dopo e l'indicatore di uso economico si accende ()

. Tenere premuto il pulsante Eco Fuzzy per 3 secondi per disattivare la funzione Eco Fuzzy.


Utilizzo del frigorifero


Questo indicatore si accende dopo 6 ore quando si attiva la funzione Eco Fuzzy.

10. Impostazione temperatura scomparto freezer

Qui si esegue l'impostazione della temperatura dello scomparto freezer. Quando si preme il pulsante n. 10, si può impostare la temperatura dello scomparto freezer a -18, -19, -20, -21, -22, -23 e -24 rispettivamente.

11. Congelamento rapido

Premere il pulsante n. (11) per il congelamento rapido, l'indicatore Quick Freeze () si attiva.

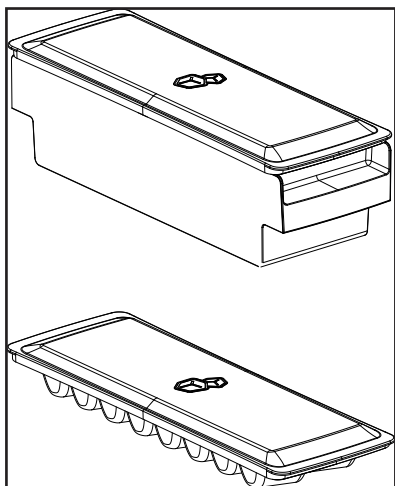
L'indicatore Quick Freeze si accende quando la funzione di congelamento rapido si attiva e il valore dell'indicatore della temperatura dello scomparto frigo viene visualizzato come -27. Per annullare questa funzione premere nuovamente il pulsante Quick Freeze () . L'indicatore Quick Freeze si spegnerà e il frigorifero tornerà alle sue normali impostazioni. La funzione Quick Freeze si annulla automaticamente entro 24 ore se non la si annulla prima. Se si vogliono congelare grandi quantità di alimenti freschi, premere il pulsante Quick Freeze prima di inserire gli alimenti nello scomparto freezer.

Utilizzo del frigorifero

5.10. Secchiello del ghiaccio

(Questa funzione è opzionale)

- Estrarre il secchiello del ghiaccio dallo scomparto freezer.
- Riempire di acqua il secchiello del ghiaccio.
- Mettere il secchiello del ghiaccio nello scomparto freezer.
- Il ghiaccio sarà pronto dopo due ore circa. Estrarre il secchiello del ghiaccio dallo scomparto freezer e piegarlo delicatamente sul contenitore in cui sarà servito il ghiaccio. Il ghiaccio si versa facilmente nel contenitore.



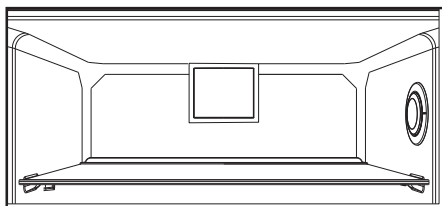
5.11. Scomparto per le uova

È possibile installare il porta uova sul ripiano desiderato della porta o del corpo.

Non porre mai il porta uova nello scomparto del freezer

5.12. Ventola

La ventola è stata concepita per garantire la circolazione dell'aria fredda all'interno del frigorifero in modo omogeneo. Il tempo di funzionamento della ventola potrebbe variare a seconda delle caratteristiche dell'apparecchio. Se in alcuni apparecchi la ventola funziona solo con il compressore, in altri il sistema di controllo determina il tempo di funzionamento sulla base dell'esigenza di raffreddamento.



5.13. Cestino per verdure

(Questa funzione è opzionale)

- Il cestino per verdure dell'apparecchio è concepito per mantenere le verdure fresche, conservando l'umidità. A questo scopo, la circolazione complessiva dell'aria fredda è più intensa nel cestino delle verdure.

5.14. Scomparto zero gradi

(Questa funzione è opzionale)

Usare questo scomparto per conservare i prodotti di gastronomia a temperatura inferiore o la carne per il consumo immediato.

Lo scomparto zero gradi è la parte più fredda in cui conservare a condizioni ideali alimenti come prodotti caseari, carne, pesce e pollo. Verdura e/o frutta non devono essere conservate in questo scomparto.

Utilizzo del frigorifero

5.15. Utilizzare il secondo scomparto del prodotto;



Figura 1.

Come mostrato nella figura, ci sono 2 meccanismi di fermo nel secondo scomparto del prodotto modello K70560.



Figura 2.

Il secondo scomparto appare come in Figura 2 quando è chiuso.



Figura 3.

Quando lo sportello è aperto a 90°, tirare il secondo scomparto fino al primo meccanismo di fermo come mostrato in Figura 3.

Nel caso in cui il cassetto abbia un'apertura maggiore, prima di tutto aprire lo sportello di almeno 135° gradi. Successivamente, come mostrato in Figura 4, sollevare il secondo scomparto di circa 5 mm in modo da liberarlo dal primo meccanismo di blocco.



Figura 4.

Dopo averlo sollevato, tirare il secondo cassetto fino al secondo meccanismo di blocco come mostrato in Figura 5.



Figura 5.

Utilizzo del frigorifero

5.16. Ripiano mobile sportello

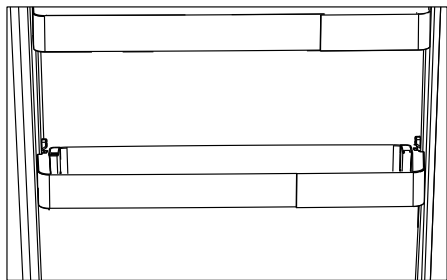
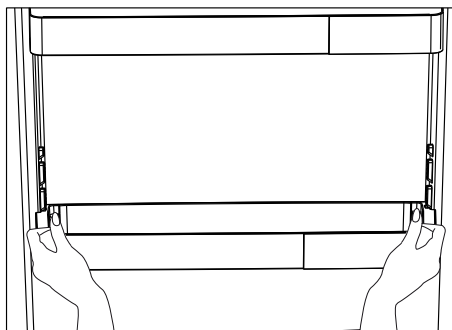
(Questa funzione è opzionale)

Il ripiano mobile dello sportello può essere fissato in 3 diverse posizioni.

Per spostare il ripiano, premere in modo uniforme i pulsanti ai lati. Il ripiano può essere spostato.

Spostare il ripiano verso l'alto o verso il basso.

Quando il ripiano è nella posizione desiderata, rilasciare i pulsanti. Il ripiano si fissa di nuovo nella posizione in cui sono stati rilasciati i pulsanti.

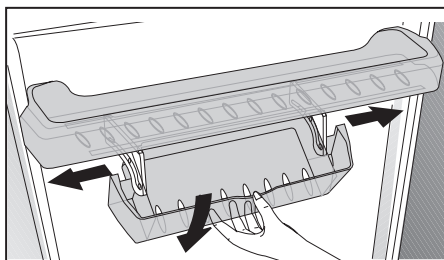


5.17. Scomparto scorrevole per la conservazione

(Questa funzione è opzionale)

Questo accessorio è progettato per accrescere il volume dei ripiani dello sportello.

Grazie alla sua capacità di spostarsi lateralmente, consente di posizionare facilmente bottiglie lunghe, barattoli o contenitori che vengono posti nella rastrelliera per bottiglie sotto.



Utilizzo del frigorifero

5.18. Cestino per verdure a umidità controllata

(Questa funzione è opzionale)

Con la funzione di controllo dell'umidità, i tassi di umidità di verdura e frutta sono tenuti sotto controllo e assicurano un periodo di freschezza più lungo per gli alimenti.

Si raccomanda di conservare le verdure a foglia come lattuga e spinaci e verdure simili che rischiano la perdita di umidità non sulle radici ma in posizione orizzontale nel cestino per le verdure, per quanto possibile.

Quando si posizionano le verdure, mettere le verdure pesanti e dure sul fondo e quelle leggere e morbide sopra, tenendo conto del peso specifico delle verdure.

Non lasciare le verdure nel cestino nei sacchetti di plastica.

Lasciarle nei sacchetti di plastica provoca in breve tempo il deterioramento delle verdure. In situazioni in cui non si consiglia il contatto con le altre verdure, utilizzare materiali di imballaggio come carta con una certa porosità per motivi di igiene.

Non mettere frutta con elevata emissione di gas etilene come pere, albicocche, pesche e in particolare mele nello stesso cestino di verdure con altra verdura e frutta. Il gas etilene che fuoriesce da questi frutti potrebbe provocare all'altra frutta e verdura una maturazione e un deterioramento più veloci.

5.19. Modulo deodorizzatore

(FreshGuard) *optional

Il modulo deodorizzatore elimina in un istante i cattivi odori dal frigorifero prima che penetrino nelle superfici. Grazie a questo modulo, il quale viene collocato sul soffitto dello scomparto per alimenti freschi, i cattivi odori si dissolvono mentre l'aria viene fatta passare

attivamente sul filtro anti-odore, quindi l'aria che è stata purificata dal filtro viene reimpressa nello scomparto per alimenti freschi. In questo modo, gli odori indesiderati che potrebbero sprigionarsi durante la conservazione degli alimenti nel frigorifero vengono eliminati prima che possano penetrare nelle superfici.

Ciò si ottiene grazie alla ventola, al LED e al filtro anti-odore integrato all'interno del modulo. Durante l'uso quotidiano, il modulo deodorizzatore si attiverà automaticamente a intervalli regolari. Per mantenere prestazioni efficienti, si consiglia la sostituzione del filtro nel modulo deodorizzatore da parte del fornitore del servizio autorizzato ogni 5 anni. A causa della ventola integrata nel modulo, il rumore che si avvertirà durante il funzionamento è del tutto normale. Se si apre la porta dello scomparto per alimenti freschi mentre il modulo è attivo, la ventola si bloccherà temporaneamente e riprenderà a funzionare dal punto in cui si era fermata una volta trascorso un determinato tempo dopo aver richiuso la porta. In caso di interruzione di corrente, il modulo deodorizzatore riprenderà a funzionare dal punto in cui si era fermato nella durata di funzionamento completa una volta ripristinata la corrente.

Informazioni: Si consiglia di conservare gli alimenti aromatici (come formaggio, olive e salumi) nella relativa confezione e sigillarli per evitare cattivi odori che potrebbero sprigionarsi quando odori di vari alimenti si mescolano tra loro. Si consiglia inoltre di togliere il più in fretta possibile dal frigorifero alimenti avariati per impedire che gli altri alimenti vadano a male ed evitare cattivi odori.

Utilizzo del frigorifero

5.20. Macchina del ghiaccio automatica

(Questa funzione è opzionale)

La macchina del ghiaccio automatica consente di preparare facilmente il ghiaccio nel frigorifero. Per ottenere ghiaccio dalla macchina, estrarre il serbatoio dell'acqua nello scomparto Cooler, riempirlo con acqua e riposizionarlo.

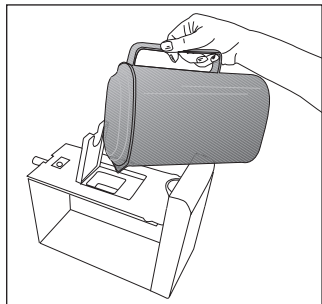
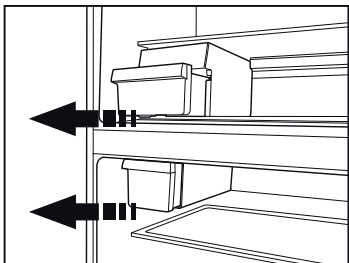
Il primo ghiaccio sarà pronto in circa 2 ore nel cassetto della macchina che si trova nello scomparto Cooler.

Dopo aver posizionato il serbatoio pieno dell'acqua, si possono ottenere circa 60-70 cubetti di ghiaccio finché non si svuota del tutto.

Se l'acqua è nel serbatoio da 2-3 settimane, deve essere cambiata.



Nei prodotti dotati di macchina del ghiaccio automatica, si potrebbe sentire un suono quando si versa il ghiaccio. Questo suono è normale e non è un segno di guasto.



5.21. HerbBox/HerbFresh

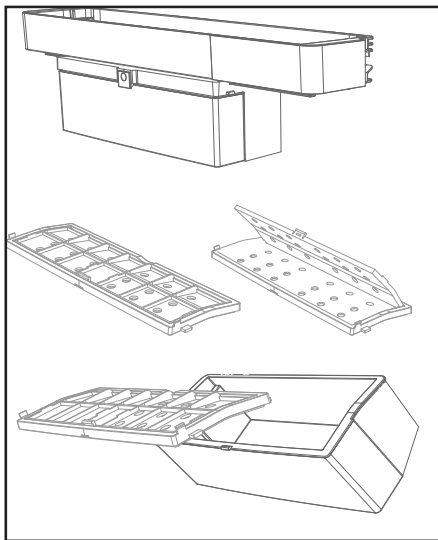
Togliere la custodia della pellicola dal HerbBox/HerbFresh+.

Togliere la pellicola dal sacchetto e inserirla nella custodia della pellicola come indicato in figura.

Chiudere la custodia e inserirla nuovamente nell'unità HerbBox/HerbFresh+.

Gli scomparti di HerbBox-HerbFresh+ sono ideali per la conservazione erbe aromatiche per quelle che devono essere conservate in condizioni sensibili. Potete conservare fresche le vostre verdure (prezzemolo, aneto, ecc) che avete tolto dal loro sacchetto in questo scomparto in posizione orizzontale per un periodo più lungo.

La pellicola deve essere sostituita ogni sei mesi.



Utilizzo del frigorifero

5.22. Icematic e contenitore per conservare il ghiaccio

Uso di Icematic

(Questa funzione è opzionale)

* Riempire Icematic con acqua e metterlo in sede. Il ghiaccio sarà pronto in due ore circa. Non rimuovere l'Icematic dalla sua sede per prendere il ghiaccio.

* Ruotare le manopole in senso orario per 90 gradi.

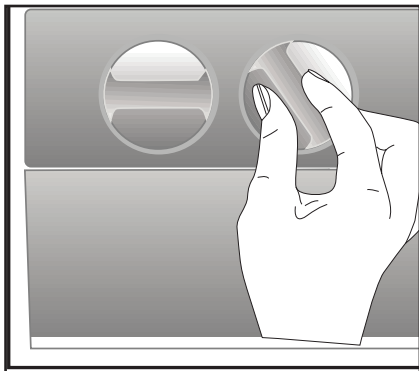
I cubetti di ghiaccio cadono nel contenitore per la conservazione del ghiaccio sotto.

* È possibile estrarre il contenitore per la conservazione del ghiaccio e servire i cubetti.

* Se lo si desidera, è possibile lasciare i cubetti nel contenitore per la conservazione del ghiaccio.

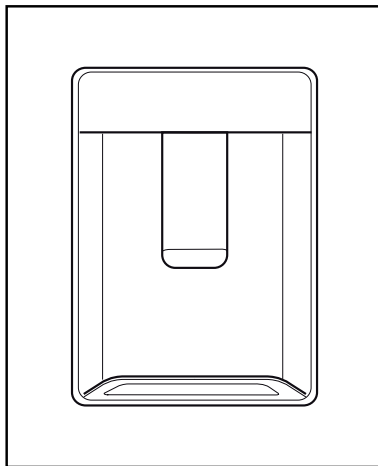
Contenitore per la conservazione del ghiaccio

Il contenitore per la conservazione del ghiaccio ha solo lo scopo di conservare i cubetti di ghiaccio. Non inserirvi dell'acqua, Altrimenti si romperà.



5.23. Erogatore d'acqua (in alcuni modelli)

L'erogatore dell'acqua è una funzione molto utile per ottenere acqua fredda senza aprire lo sportello del frigorifero. Dal momento che non bisogna aprire con frequenza lo sportello del frigorifero, si risparmia energia.



Utilizzo del frigorifero

5.24. Uso dell'erogatore d'acqua

Premere il braccio dell'erogatore d'acqua col bicchiere. L'erogatore smette di erogare quando viene rilasciato il braccio.

Quando si usa l'erogatore dell'acqua, il flusso massimo può essere ottenuto premendo completamente il braccio. Ricordare che la quantità del flusso dall'erogatore è soggetta al livello di pressione sul braccio.

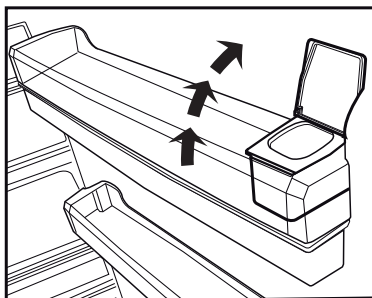
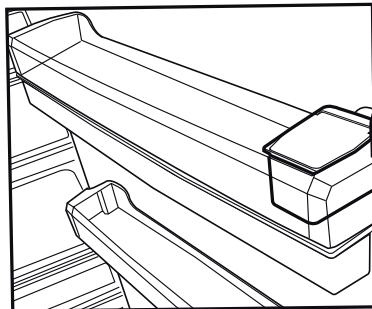
Quando il livello dell'acqua nel bicchiere/nel contenitore aumenta, diminuire leggermente la pressione sul braccio per evitare traboccamento. Se si preme delicatamente il braccio, l'acqua gocciola; questo è normale e non è un guasto.

Riempimento del serbatoio dell'erogatore d'acqua

Il serbatoio per il riempimento dell'acqua si trova all'interno della rastrelliera dello sportello. Aprire il coperchio del serbatoio e riempire di acqua potabile pulita. E poi chiudere il coperchio.

Avvertenza!

- Non riempire il serbatoio d'acqua con liquidi diversi dall'acqua, come succhi di frutta, bevande gassate o bevande alcoliche che non sono adatte per essere usate nell'erogatore d'acqua. L'erogatore d'acqua si danneggerebbe in modo irreparabile a causa dell'uso di questi liquidi. La garanzia non copre tali usi. Alcune sostanze chimiche e alcuni additivi contenuti in questo tipo di bevande/liquidi possono danneggiare il materiale del serbatoio d'acqua.
- Usare solo acqua potabile pulita e pura.
- La capacità del serbatoio dell'acqua è 3 litri; non riempire oltre.



Utilizzo del frigorifero

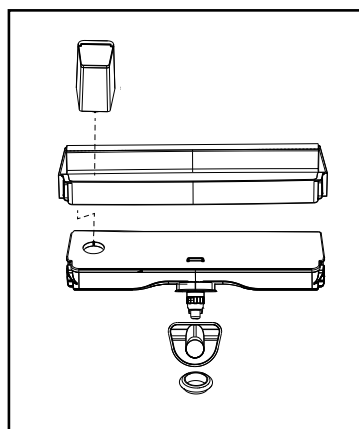
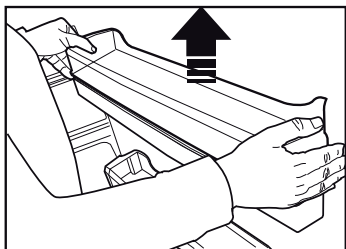
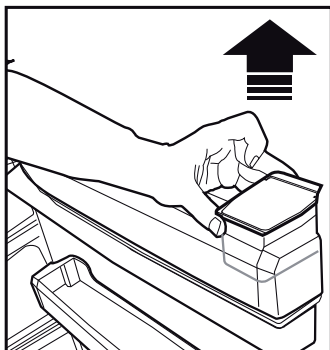
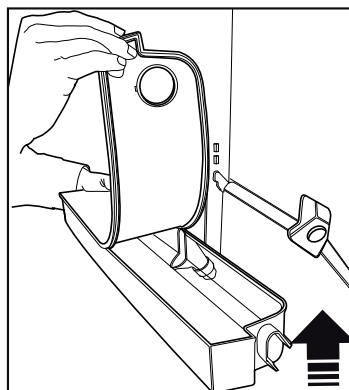
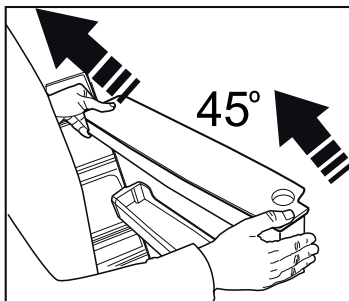
- Premere il braccio dell'erogatore d'acqua con un bicchiere rigido. Se si usano bicchieri di plastica usa e getta, spingere il braccio con le dita da dietro il bicchiere.

5.25. Pulizia del serbatoio dell'acqua

- Rimuovere il serbatoio di riempimento dell'acqua dalla rastrelliera interna dello sportello.
- Rimuovere la rastrelliera tenendo da entrambi i lati.
- Afferrare il serbatoio dell'acqua da entrambi i lati e rimuoverlo con un angolo di 45°C.
- Pulire il serbatoio dell'acqua rimuovendone il coperchio.

Importante:

I componenti del serbatoio dell'acqua e dell'erogatore dell'acqua non devono essere lavati in lavastoviglie.



Utilizzo del frigorifero

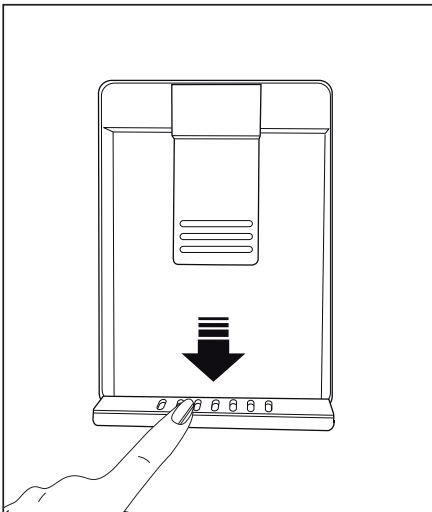
5.26. Vaschetta per l'acqua

L'acqua che sgocciola durante l'uso dell'erogatore si accumula nell'apposita vaschetta.

Estrarre la vaschetta in plastica come mostrato nella figura.

Con un panno asciutto e pulito, rimuovere l'acqua accumulata.

ATTENZIONE: Collegare solo ad una linea di acqua potabile.



Utilizzo del frigorifero

Impostazione Scomparto Congelatore	Impostazione Scomparto Frigorifero	Descrizioni
-18°C	4°C	Questa è l'impostazione predefinita è consigliata.
-20,-22 o -24°C	4°C	Queste impostazioni sono consigliate per temperature ambiente che superano i 30°C.
Congelamento rapido	4°C	Servirsi di questa opzione per congelare alimenti in un breve lasso di tempo; il dispositivo tornerà alle impostazioni precedenti al termine del processo.
-18°C o inferiore	2°C	Servirsi di queste impostazioni qualora si ritenga che lo scomparto frigorifero non sia abbastanza freddo a causa della temperatura ambiente o a causa delle frequenti aperture della porta.

5.27. Consigli per conservare alimenti surgelati

Lo scomparto deve essere impostato a una temperatura minima di -18°C.

1. Collocare gli alimenti all'interno del congelatore quanto più rapidamente possibile per evitare che si scongelino.
2. Prima del congelamento, verificare la "data di scadenza" sulla confezione per accertarsi del fatto che il prodotto non sia scaduto.
3. Accertarsi che la confezione dell'alimento non sia danneggiata.

5.28. Dettagli congelatore

Conformemente agli standard IEC 62552, il congelatore deve avere la capacità di congelare 4,5 chili di alimenti a una temperatura di -18°C o inferiore, in 24 ore, per ogni 100 l di volume di scomparto di congelamento. Gli alimenti possono essere preservati solo per lunghi periodi di tempo a temperature uguali o inferiori a -18°. Sarà possibile conservare gli alimenti freschi per mesi, all'interno del congelatore a temperature uguali o inferiori a -18°).

Gli alimenti da congelare non devono entrare in contatto con gli altri alimenti già congelati all'interno del congelatore, per evitare uno scongelamento parziale.

Bollire le verdure filtrare l'acqua per estendere il tempo di conservazione congelato. Collocare gli alimenti in sacchetti ermetici, dopo aver eseguito il filtraggio e il posizionamento all'interno del congelatore. Banane, pomodori, lattuga, sedano, uova bollite, patate e altri alimenti simili non dovrebbero essere congelati. Congelando questi alimenti se ne ridurrà il valore nutrizionale e la qualità alimentare; i prodotti si potrebbero inoltre rovinare, il che causa problemi a livello di salute.

Utilizzo del frigorifero

5.29. Posizionamento degli alimenti

Ripiani dello scomparto congelatore	Vari alimenti congelati quali ad esempio carne, pesce, gelato, verdura, eccetera.
Ripiani dello scomparto frigorifero	Alimenti all'interno di pentole, vassoi e contenitori, uova, all'interno di una confezione
Ripiani della porta scomparto frigorifero	Piccoli alimenti o bevande
Cassetto verdura	Frutta e verdura
Scomparto alimenti freschi	Prodotti gastronomici, ad esempio colazione, carne da consumare a breve

5.30. Avvertenza sportello aperto (Questa funzione è opzionale)

Un segnale di avvertenza audio viene emesso quando lo sportello dell'apparecchio viene lasciato aperto per almeno 1 minuto. Questa avvertenza scompare quando lo sportello viene chiuso o se viene premuto uno dei pulsanti del display (se presenti).

5.31. Cambiare la lampadina di illuminazione

Per cambiare lampadina/LED utilizzati per illuminare il frigorifero, rivolgersi al Servizio Assistenza Autorizzato.

La lampada (le lampade) usata (usate) nell'apparecchiatura non è (sono) adatta (adatte) per l'illuminazione domestica. L'obiettivo previsto per questa lampada è quello di assistere l'utente in fase di posizionamento degli alimenti all'interno del frigorifero / congelatore in modo sicuro e comodo.

5.32. Luce blu/HarvestFresh

***Non disponibile con tutti i modelli**

Per la luce blu,

Frutta e verdura conservate nei cassetti illuminati con luce blu continuano la loro fotosintesi grazie all'effetto della lunghezza d'onda della luce blu e conservano così il loro contenuto di vitamine.

Per HarvestFresh,

Frutta e verdura conservate in cassetti illuminati con la tecnologia HarvestFresh conservano le loro vitamine più a lungo grazie alle luci blu, verdi, rosse e ai cicli di buio che simulano il ciclo della giornata.

Aperto la porta del frigorifero durante il periodo di buio della tecnologia HarvestFresh, il frigorifero fa una rilevazione automatica e permette alla luce blu-verde o rossa di illuminare il cassetto per la propria comodità. Dopo aver chiuso lo sportello del frigorifero, il periodo di buio continuerà, come fosse il periodo notturno in un ciclo diurno.

Pulendo il prodotto a intervalli regolari sarà possibile prolungare la durata di vita.



AVVERTENZA: Scollegare il frigorifero dalla corrente prima di eseguire la pulizia.

- Non usare strumenti appuntiti e abrasivi, sapone, materiali per pulire la casa, detersivi, gas, gasolio, vernice e sostanze simili per gli interventi di pulizia.
- Per i prodotti non-No Frost, si verifica la formazione di gocce di acqua e ghiaccio fino allo spessore di un dito sulla parete posteriore dello scomparto frigo. Non pulire; non applicare mai olio né agenti simili.
- Utilizzare solo panni umidi in microfibra per pulire la superficie esterna del prodotto. Spugne e altri tipi di panni per la pulizia possono graffiare la superficie.
- Sciogliere un cucchiaino di bicarbonato in acqua. Ammorbidire un panno in acqua, quindi strizzarlo. Pulire il dispositivo con questo panno, quindi asciugare completamente.
- Fare attenzione a tenere lontana l'acqua dalla copertura delle lampade dalle altre componenti elettriche.
- Pulire la porta con un panno bagnato. Togliere tutti gli elementi all'interno per staccare la porta ed i ripiani del telaio. Sollevare i ripiani della porta verso l'alto per poterli rimuovere. Pulire e asciugare i ripiani, poi fissare nuovamente in posizione facendo scorrere da sopra.
- Non usare cloro cronica o prodotti detersivi sulla superficie esterna del dispositivo e sulle componenti rivestite in cromo del prodotto. Il cloro provoca ruggine su queste superfici metalliche.

6.1. Evitare i cattivi odori

Il prodotto è stato realizzato senza materiali che emettono cattivi odori. Conservare tuttavia gli alimenti in sezioni non adeguate e pulire le superfici interne in modo non consono potrebbe provocare cattivi odori.

A tal fine consigliamo di pulire l'interno con acqua gassata ogni 15 giorni.

- Tenere gli alimenti in contenitori sigillati. I microrganismi potrebbero fuoriuscire dagli alimenti non sigillati causando così cattivi odori.
- Non conservare alimenti scaduti e marci all'interno del frigorifero.
- Non usare strumenti affilati e abrasivi o sapone, agenti detersivi domestici, detersivi, gasolio, benzene, cera, ecc., altrimenti le indicazioni sulle parti in plastica si toglieranno e si verificherà deformazione. Usare acqua tiepida e un panno morbido unicamente per le operazioni di pulizia e asciugatura.

6.2. Protezione delle superfici in plastica

L'olio rovesciato sulle superfici in plastica potrebbe danneggiare la superficie, e deve essere pulito immediatamente servendosi di acqua tiepida.

Controllare questo elenco prima di contattare l'assistenza clienti. Questa operazione vi consentirà di risparmiare soldi. Questo elenco contiene i problemi più frequenti che non a livello di manodopera o materiali. Alcune funzioni qui indicate potrebbero non essere valide per il vostro prodotto.

Il frigorifero non funziona.

- La presa di corrente non è stata inserita correttamente. >>> Spingerla fino a inserirla completamente nella presa.
- Il fusibile collegato alla presa che alimenta il prodotto, oppure il fusibile principale, è bruciato. >>> Controllare i fusibili.

Condensa sulla parete laterale dello scomparto frigorifero (MULTI ZONE, COOL, CONTROL e FLEXI ZONE).

- La porta viene aperta troppo spesso >>> Fare attenzione a non aprire eccessivamente la porta del dispositivo.
- L'ambiente è troppo umido. >>> Non installare il prodotto in ambienti umidi.
- Gli alimenti che contengono liquidi vengono conservati in contenitori non sigillati. >>> Tenere gli alimenti in contenitori sigillati.
- La porta viene lasciata aperta. >>> Non tenere aperte a lungo le porte del frigorifero.
- Il termostato è impostato su una temperatura troppo bassa. >>> Impostare il termostato su una temperatura adeguata.

Il compressore non funziona.

- In caso di improvviso black out, o nel caso in cui la spina venga tolta e poi reinserita, la pressione del gas nel sistema di raffreddamento del dispositivo non è equilibrata, il che fa scattare la protezione termica del compressore. Il dispositivo si riavvierà dopo circa 6 minuti. Qualora il prodotto non si riavvia dopo questo periodo, contattare l'assistenza.
- La modalità di scongelamento è attiva. >>>> Si tratta di una condizione normale per un frigorifero con funzione di sbrinamento completamente automatica. Lo sbrinamento avviene a intervalli periodici.
- Il prodotto non è collegato. >>> Verificare che il cavo di alimentazione sia collegato.
- L'impostazione di temperatura non è corretta. >>>> Selezionare l'impostazione di temperatura adeguata.
- Assenza di corrente. >>> Il prodotto continuerà a funzionare normalmente quando viene ripristinata la corrente elettrica.

Il rumore di funzionamento del frigorifero aumenta col passare del tempo.

- Le prestazioni operative del prodotto possono variare a seconda delle variazioni di temperatura ambiente. Questa non è un'anomalia di funzionamento.

Il frigorifero funziona troppo spesso o troppo lungo.

Risoluzione dei problemi

- Il nuovo prodotto potrebbe essere più grande di quello precedente. I prodotti più grandi funzioneranno più a lungo.
- La temperatura ambiente potrebbe essere alta. >>> Il prodotto funzionerà normalmente per lunghi periodi di tempo con temperature superiori.
- Il prodotto potrebbe essere stato di recente collegato alla corrente, oppure al suo interno potrebbero essere stati recentemente aggiunti vari alimenti. >>> Allo prodotto servirà più tempo per raggiungere la temperatura impostata, se collegato di recente, oppure nel caso in cui vengano collocati nuovi elementi al suo interno, Non si tratta di un'anomalia.
- Forse di recente sono state introdotte nel frigorifero grandi quantità di alimenti caldi. >>> Non mettere alimenti caldi direttamente dentro al frigorifero.
- Le porte sono state aperte frequentemente o tenute aperte a lungo. >>> L'aria calda che si muove all'interno provocherà un funzionamento più lungo. Non aprire le porte con troppa frequenza.
- Le porte del congelatore o del frigorifero potrebbero essere socchiuse. >>> Controllare che le porte siano totalmente chiuse.
- Il prodotto potrebbe essere impostato su una temperatura troppo bassa, >>> Impostare la temperatura su un livello più alto e attendere che il prodotto raggiunga la temperatura desiderata.
- La rondella della porta del frigorifero del congelatore potrebbe essere sporca, usurata, rotta o non correttamente configurata, >>> Pulire e sostituire la rondella. Le rondelle consumate e usurate faranno funzionare il prodotto più a lungo per conservare la temperatura attuale.

La temperatura del congelatore è molto bassa, ma la temperatura del frigorifero è corretta.

- La temperatura dello scomparto congelatore è impostata su un livello molto basso, >>> Impostare la temperatura dello scomparto congelatore su un livello più alto, quindi eseguire un controllo.

La temperatura del frigorifero è molto bassa, ma la temperatura del congelatore è corretta.

- La temperatura dello scomparto frigorifero è impostata su un livello molto basso, >>> Impostare la temperatura dello scomparto frigorifero su un livello più alto, quindi eseguire un controllo.

Gli alimenti conservati nei cassetti dello scomparto frigorifero sono congelati.

- La temperatura dello scomparto frigorifero è impostata su un livello molto basso, >>> Impostare la temperatura dello scomparto congelatore su un livello più alto, quindi eseguire un controllo.

La temperatura nel vano frigorifero e congelatore è troppo alta.

- La temperatura dello scomparto frigorifero è impostata su un livello molto alto, >>> L'impostazione della temperatura dello scomparto frigorifero influenza la temperatura dello scomparto del congelatore. Modificare la temperatura dello scomparto congelatore o frigorifero e attendere che tutti gli scomparti interessati raggiungano il livello di temperatura impostata.
- Le porte sono state aperte frequentemente o tenute aperte a lungo. >>> Non aprire le porte con troppa frequenza.
- La porta potrebbe essere socchiusa. >>> Chiudere completamente la porta.
- Il prodotto potrebbe essere stato di recente collegato alla corrente, oppure al suo interno potrebbero essere stati recentemente aggiunti vari alimenti. >>> Al prodotto servirà più tempo per raggiungere la temperatura impostata, se collegato di recente, oppure nel caso in cui vengano collocati nuovi elementi al suo interno.
- Di recente sono state introdotte nel frigorifero grandi quantità di alimenti caldi. >>> Non mettere alimenti caldi direttamente dentro al frigorifero.

Vibrazioni o rumore.

Risoluzione dei problemi

- Il pavimento non è in piano o resistente. >>> Se il prodotto vibra, quando viene spostato lentamente, regolare i supporti per equilibrare il prodotto. Verificare inoltre che la superficie di appoggio sia sufficientemente resistente per supportarne il peso.
- Gli eventuali oggetti collocati sul prodotto potrebbero essere fonte di rumore. >>> Togliere gli eventuali elementi collocati sul prodotto.

Il prodotto emette rumori, come ad esempio liquido che scorre, spruzzo, eccetera

- I principi operativi del prodotto prevedono la presenza di flussi di liquidi e flussi di gas. >>> Questa non è un'anomalia di funzionamento.

C'è un rumore, simile a un soffio, che proviene dal prodotto.

- Il prodotto si serve di una ventola per il processo di raffreddamento. Questa non è un'anomalia di funzionamento.

Si è formata condensa sulle pareti interne del dispositivo.

- Le condizioni meteo calde o umide aumentano la formazione di ghiaccio e di condensa. Questa non è un'anomalia di funzionamento.
- Le porte sono state aperte frequentemente o tenute aperte a lungo. >>> Non aprire le porte con troppa frequenza; se la porta è aperta, chiuderla.
- La porta potrebbe essere socchiusa. >>> Chiudere completamente la porta.

Si è formata condensa sulla superficie esterna del dispositivo o fra le porte.

- Le condizioni ambientali potrebbero essere umide, e ciò è normale. >>> La condensa si dissipa quando l'umidità viene ridotta.

L'interno emette cattivi odori.

- Il prodotto non viene pulito regolarmente. >>> Pulire la superficie interna a intervalli regolari servendosi di spugna, acqua tiepida, e acqua gassata.
- Alcuni contenitori e imballaggi potrebbero emettere cattivi odori. >>> Servirsi di imballaggi che non emettano cattivi odori.
- Gli alimenti sono stati collocati all'interno di contenitori non sigillati. >>> Tenere gli alimenti in contenitori sigillati. I microrganismi potrebbero fuoriuscire dagli alimenti non sigillati causando così cattivi odori.
- Rimuovere gli eventuali alimenti scaduti o rovinati dal dispositivo.

La porta non si chiude correttamente.

- Le confezioni di cibo potrebbero bloccare la porta. >>> Trovare una nuova posizione per gli alimenti che bloccano le porte.
- Il prodotto non è in posizione verticale, appoggiato per terra. >>> Regolare i supporti per l'equilibrio del prodotto.
- Il pavimento non è in piano o resistente. >>> Verificare che la superficie di appoggio sia sufficientemente resistente per supportarne il peso.

Il cassetto verdura si è inceppato.

- Gli alimenti potrebbero entrare in contatto con la sezione superiore cassetto. >>> Riorganizzare gli alimenti nel cassetto.

Se La Superficie Del Prodotto È Bollente.

- Quando il prodotto è in funzione, possono essere osservate alte temperature tra i due sportelli, sui pannelli laterali e sul grill posteriore. . Ciò è normale e non richiede manutenzione!



AVVERTENZA: Qualora il problema persista dopo aver seguito le istruzioni contenute in questa selezione, contattare il proprio fornitore oppure un Servizio Autorizzato. Evitare in ogni caso di riparare il prodotto.

DISCLAIMER / AVVERTENZE

Alcuni guasti (semplici) possono essere adeguatamente gestiti dall'utente finale senza che sorgano problemi di sicurezza o utilizzi non sicuri, a condizione che vengano eseguiti entro i limiti e in conformità con le seguenti istruzioni (vedere la sezione "Riparazione fai da te").

Pertanto, salvo diversa autorizzazione nella sezione di seguito "Riparazione fai da te", le riparazioni devono essere indirizzate a manutentori professionisti registrati al fine di evitare problemi di sicurezza. Un manutentore professionista registrato è un manutentore professionista a cui è stato concesso l'accesso alle istruzioni e all'elenco dei pezzi di ricambio di questo prodotto dal produttore secondo le modalità descritte negli atti legislativi ai sensi della Direttiva 2009/125/CE.

Tuttavia, solo l'agente dell'assistenza (ovvero i manutentori professionisti autorizzati) che è possibile contattare tramite il numero di telefono indicato nel manuale dell'utente / scheda di garanzia o tramite il rivenditore autorizzato che può fornire assistenza in base ai termini di garanzia. Pertanto, si prega di notare che le riparazioni da parte di manutentori professionisti (non autorizzati da Beko) invaliderà la garanzia.

Riparazione fai da te

La riparazione fai da te può essere eseguita dall'utente finale per quanto riguarda i seguenti pezzi di ricambio: maniglie delle porte, cerniere delle porte, vassoi, cestelli e guarnizioni delle porte (un elenco aggiornato è disponibile anche su support.beko.com dal 1° marzo 2021)

Inoltre, per garantire la sicurezza del prodotto e per prevenire il rischio di lesioni gravi, la suddetta riparazione fai da te deve essere eseguita seguendo le istruzioni nel manuale utente per la riparazione fai da te o disponibili in support.beko.com Per la propria sicurezza,

scollegare il prodotto prima di tentare qualsiasi riparazione fai da te.

Tentativi di riparazione e riparazione da parte degli utenti finali per parti non incluse in tale elenco e/o che non seguono le istruzioni nei manuali utente per la riparazione fai da te o che sono disponibili in support.beko.com, potrebbe dar luogo a problemi di sicurezza non imputabili a Beko e invaliderà la garanzia del prodotto.

Pertanto, si raccomanda vivamente agli utenti finali di astenersi dal tentativo di eseguire riparazioni che non rientrano nell'elenco dei pezzi di ricambio menzionato, contattando in tali casi manutentori professionisti autorizzati o manutentori professionisti registrati. Altrimenti, tali tentativi da parte degli utenti finali possono causare problemi di sicurezza e danneggiare il prodotto e conseguentemente causare incendi, inondazioni, elettrocuzione e gravi lesioni personali.

A titolo esemplificativo, ma non esaustivo, le seguenti riparazioni devono essere indirizzate ai manutentori professionisti autorizzati o manutentori professionisti registrati: compressore, circuito frigorifero, scheda principale, scheda inverter, scheda display ecc.

Il produttore/venditore non può essere ritenuto responsabile in ogni caso in cui gli utenti finali non rispettano quanto sopra.

La disponibilità dei pezzi di ricambio frigorifero che hai acquistato è di 10 anni.

Durante questo periodo saranno disponibili ricambi originali per il corretto funzionamento frigorifero.

La durata minima della garanzia del frigorifero acquistato è di 24 mesi.

Questo prodotto è dotato di una sorgente di illuminazione con classe energetica "G".

La sorgente di illuminazione nel prodotto dovrà essere sostituita solo da professionisti nel campo della riparazione.

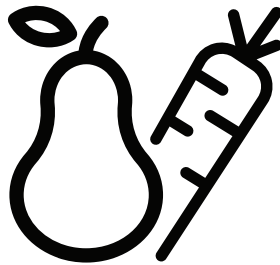
Informazioni sulla classificazione dell'imballaggi

Scansiona il Qrcode che si trova sull'imballo del prodotto per trovare tutte le informazioni relative all'imballo e come gestirne il suo corretto smaltimento.



Koelkast
Gebruiksaanwijzing

Ψυγείο
Εγχειρίδιο Χρήστη



RCNE560E40ZXPB - RCNE560E40DSN - RCNE560E60ZXRN -
RCNE560E60ZXPB - KG560E50ZXPCHN



NL / EL /

58 5031 0000/AK

3/6

Lees deze handleiding voor u het product gebruikt!

Beste gewaardeerde klant,

Wij willen dat u kunt genieten van optimale resultaten van uw product dat zorgvuldig werd vervaardigd in moderne fabrieken en getest met gedetailleerde kwaliteitscontroles.



Om die reden raden wij aan dat u deze handleiding grondig leest voor u het product start. Als u het product doorgeeft aan iemand anders mag u niet vergeten ook de handleiding mee te geven.

Deze handleiding zal u helpen uw apparaat snel en veilig te gebruiken.

- Lees deze handleiding zorgvuldig voor u het product installeert en gebruikt.
- U moet altijd de toepasselijke veiligheidsinstructies volgen.
- Bewaar de handleiding op een gemakkelijk toegankelijke plaats voor gebruik in de toekomst.
- Lees alle andere documenten die worden geleverd met het product.

Denk eraan dat deze handleiding van toepassing kan zijn op meerdere modellen van het product. Deze handleiding wijst uitdrukkelijk op de verschillen tussen uiteenlopende modellen.

	Belangrijke informatie en nuttige tips.
	Risico van persoonlijke letsels en materiele schade.
	Risico van elektrische schokken.
	Het verpakkingsmateriaal van dit product werd vervaardigd van recyclebaar materiaal in overeenstemming met de Nationale milieuwetgeving.

	INFORMATIE
	<p>De informatie van het model zoals opgeslagen in de product-databank is toegankelijk op de onderstaande website. Zoek uw model identificatie (*) vermeld op het energielabel.</p> <p>https://eprel.ec.europa.eu/</p>
<p>SUPPLIER'S NAME</p> <p>A</p>	

1 Belangrijke Veiligheids- en omgevingsinstructies	3	5.14. Groentevak	24
1.1. Algemene veiligheid	3	5.15. Nul-graden compartiment.	24
1.1.1 HC waarschuwing	6	5.16. Het gebruik van de tweede crisper van het product;	25
1.1.2 Voor modellen met een waterfontein	6	5.17. Bewegend deurrek	26
1.2. Bedoeld gebruik	7	5.18. IJsvak	26
1.3. Kinderveiligheid	7	5.19. Ontgeurdermodule	26
1.4. Conformiteit met de WEEE-richtlijn en Verwijdering van afvalproducten	7	5.20. Groentevak met vochtigheidsregeling	27
1.5. Conformiteit met de RoHS-richtlijn	7	5.21. Automatische ijsmachine	27
1.6. Informatie op de verpakking	7	5.22. Icematic en ijsvak container	28
2 Uw koelkast	8	5.23. Het gebruik van de waterdispenser	28
3 Installatie	9	5.24. Het reservoir van de dispenser opvullen met water	29
3.1. Correcte plaats voor de installatie	9	5.25. Het waterreservoir schoonmaken	30
3.2. De plastic spieën bevestigen	9	5.26. Druppelvanger	30
3.3. De voetjes aanpassen	9	5.27. HerbBox/HerbFresh	31
3.4. Stroomaansluiting	9	5.28. Verse etenswaren invriezen	32
3.5. De deuren omkeren	10	5.29. Aanbevelingen voor het opslaan van ingevroren etenswaren	32
3.6. De deuren omkeren	11	5.30. Informatie over de diepvriezer	33
4 Voorbereiding	12	5.31. De etenswaren plaatsen	33
4.1. Wat u kunt doen om energie te besparen	12	5.32. Deur open alarm	33
4.2. Eerste gebruik	12	5.33. De openingsrichting van de deur wijzigen	33
5 Het product gebruiken	13	5.34. Interne verlichting	33
5.1. Temperatuur instelling knop	13	6 Zorg en reiniging	34
5.2. Snel invriezen	13	6.1. Onaangename geurtjes vermijden	34
5.3. Vakantiefunctie	14	6.2. Bescherming van plastic oppervlakkane	34
5.4. Thermostaat instellingtoets	15	6.3. De binnenzijde reinigen	34
5.5. Thermostaat instellingtoets	15	6.4. Roestvrij stalen externe oppervlakten	35
5.6. Ontdooien	15	6.5. Reinigingsproducten glazen deuren	35
5.7. Indicatorpaneel	16	6 Zorg en reiniging	35
5.8. Indicatorpaneel	17	7 Probleemoplossing	36
5.9. Indicatorpaneel	19		
5.10. Indicatorpaneel	22		
5.11. IJsemmer	24		
5.12. Eihouder	24		
5.13. Ventilator	24		

1 Belangrijke Veiligheids- en omgevingsinstructies

Deze sectie bevat de noodzakelijke veiligheidsinstructies om risico op letsels of materiële schade te vermijden. Het niet naleven van deze instructies resulteert in de nietigverklaring van alle mogelijke productgaranties.

Bedoeld gebruik

Dit product is bedoeld om te worden gebruikt:

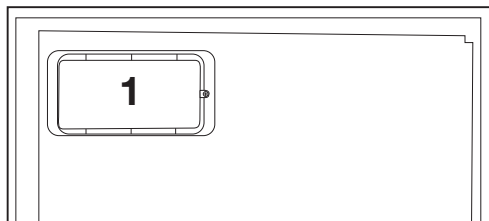
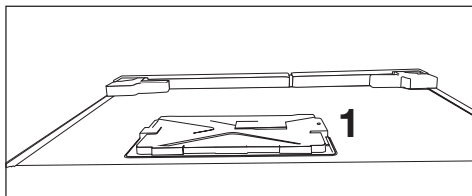
- binnen en in gesloten omgevingen zoals huizen;
- in gesloten werkomgevingen zoals kantoren en winkels;
- in gesloten accommodatieomgevingen zoals boerderijen, hotels, pensions.
- Het toestel mag niet buitenshuis worden gebruikt.

1.1. Algemene veiligheid

- Dit product mag niet worden gebruikt door personen met fysieke, gevoelsmatige en mentale handicaps, door personen met onvoldoende kennis en ervaring of door kinderen. Het apparaat mag enkel worden gebruikt door dergelijke personen als ze onder toezicht en instructies staan van een persoon die verantwoordelijk is voor hun veiligheid. Kinderen mogen niet met dit apparaat spelen.

- Als er een defect optreedt, moet u de stekker verwijderen uit het stopcontact.
- Nadat u de stekker hebt verwijderd, moet u 5 minuten wachten voor u hem opnieuw in het stopcontact voert.
- Verwijder de stekker van het product uit het stopcontact als u het niet gebruikt.
- U mag het product niet aanraken met natte handen! Trek niet aan het netsnoer maar houd het steeds vast bij de stekker.
- Wrijf de pinnen van de stekker af met een droge doek voor u hem in het stopcontact voert.
- U mag de stekker van de koelkast niet invoeren als het stopcontact los zit.
- Verwijder de stekker uit het stopcontact tijdens de installatie, onderhoudswerken, reiniging en reparaties.
- Als u het product gedurende een lange periode niet gebruikt, moet u de stekker van het product uit het stopcontact verwijderen en alle etenswaren verwijderen.
- Gebruik het product niet als het compartiment met circuitkaarten op het bovenste deel achteraan van het product (elektrische kaart doos deksel) (1) open is.

Veiligheids- en omgevingsinstructies

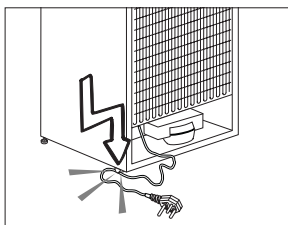


- Voer de stekker in een geaard stopcontact. De aarding moet worden uitgevoerd door een gekwalificeerde elektricien.
 - Als het product voorzien is van een LED-type verlichting moet u contact opnemen met de geautoriseerde dienstverlening om het te vervangen als er een probleem optreedt.
 - Raak geen bevroren goederen aan met natte handen! Ze kunnen blijven plakken aan uw handen!
 - Plaats geen vloeistoffen in flessen en blikjes in het vriesvak. Deze kunnen namelijk barsten!
 - Plaats vloeistoffen rechtop nadat u het deksel stevig hebt gesloten.
 - U mag geen ontvlambare stoffen in de buurt van het product verstuiven want deze kunnen branden of ontploffen.
 - Bewaar geen ontvlambaar materiaal en producten met ontvlambaar gas (sprays, etc.) in de koelkast.
 - Plaats geen containers met vloeistof bovenop het product. Water spatten op een geëlektrificeerd onderdeel
- Gebruik geen stoom of stoomreinigers om de koelkast te reinigen en het ijs te smelten. Stoom kan in contact komen met de geëlektrificeerde zones en kortsluitingen of elektrische schokken veroorzaken!
 - U mag het product niet reinigen door er water op te verstuiven of te gieten! Gevaar van elektrische schokken!
 - Als er een defect optreedt, mag u het product niet gebruiken want dit kan elektrische schokken veroorzaken. Neem contact op met de geautoriseerde dienst voor u iets doet.

Veiligheids- en omgevingsinstructies

kan elektrische schokken veroorzaken en fataal aflopen.

- Het product blootstellen aan regen, sneeuw, zonlicht en wind veroorzaakt elektrisch gevaar. Als u het product verplaatst, mag u er niet aan trekken bij het handvat. Het handvat kan los komen.
- Zorg ervoor uw handen of lichaam niet te klemmen in een van de bewegende delen van het product.
- U mag niet stappen of leunen op de deur, laden of gelijkaardige delen van de koelkast. Dit kan er toe leiden dat het product valt en het kan schade veroorzaken aan de onderdelen.
- Let erop het netsnoer niet te klemmen.



- Zorg er bij het plaatsen van het apparaat voor dat het stroomsnoer niet ingeklemd of beschadigd is.

- Plaats geen stekkerdozen of draagbare stroomvoorzieningen aan de achterkant van het apparaat.
- Kinderen tussen de 3 en 8 jaar mogen koelapparatuur in- en uitladen.
- Om besmetting met levensmiddelen te vermijden, dienen de volgende instructies te worden nageleefd:
 - – Het langdurig openen van de deur kan een behoorlijke temperatuurstijging in de schappen van het apparaat veroorzaken.
 - – Reinig regelmatig oppervlakken die in contact kunnen komen met levensmiddelen en toegankelijke afvoersystemen.
 - – Reinig waterreservoirs indien deze 48 uur niet zijn gebruikt; spoel het watersysteem dat is aangesloten op een watertoevoer, indien het water gedurende 5 dagen niet is gebruikt.
 - – Bewaar rauw vlees en rauwe vis in geschikte schalen in de koelkast, zodat het niet in contact kan komen met of kan druppelen op andere levensmiddelen.

Veiligheids- en omgevingsinstructies

- – Vriesvakken met twee sterren zijn geschikt het bewaren van diepvriesvoedsel en bewaren en maken van ijs en ijsblokjes.
- – Vriesvakken met een, twee en drie sterren zijn niet geschikt voor het invriezen van verse levensmiddelen.
- – Als het koelapparaat langdurig leeg blijft, schakel het dan uit, ontdooi, reinig en droog het en laat de deur open om te voorkomen dat er zich binnenin het apparaat schimmel ontwikkelt.

1.1.1 HC waarschuwing

Als het product voorzien is van een koelsysteem met R600 gas moet u er op letten het koelsysteem en de leiding niet te beschadigen wanneer u het product gebruikt of verplaatst. Dit gas is ontvlambaar. Als het koelsysteem beschadigd is, moet u het product uit te buurt van brandhaarden houden en de ruimte onmiddellijk ventileren.



Het label links aan de binnenzijde geeft het type gas aan dat in het product wordt gebruikt.

1.1.2 Voor modellen met een waterfontein

- De druk van de koud waterinlaat mag maximum 90psi (6,2 bar) bedragen. Als uw waterdruk hoger is dan 80psi (5,5 bar) moet u een drukk begrenzer gebruiken in uw netwerk. Als u niet weet hoe u uw waterdruk kunt controleren, moet u hulp vragen van een professionele loodgieter.
- Als het risico bestaat op een waterslageffect in uw installatie moet u altijd een waterslag preventie apparatuur installeren. Raadpleeg een professionele loodgieter als u niet zeker bent of er een waterslageffect aanwezig is in uw installatie.
- Installeer deze niet op de warme waterinlaat. Neem de nodige maatregelen tegen het bevroren van de leidingen. De watertemperatuur

Veiligheids- en omgevingsinstructies

bedrijfsinterval moet minimum 33°F (0,6°C) en maximum 100°F (38°C) zijn.

- Gebruik enkel drinkwater.

1.2. Bedoeld gebruik

- Dit product is ontworpen voor huishoudelijk gebruik. Het is niet bedoeld voor commercieel gebruik.
- Het product mag enkel worden gebruikt om etenswaren en dranken op te slaan.
- U mag geen gevoelige producten bewaren die een gecontroleerde temperatuur vereisen (vaccins, warmtegevoelige medicatie, medische producten, etc.) in de koelkast.
- De fabrikant aanvaardt geen verantwoordelijkheid voor eventuele schade als het gevolg van misbruik of een incorrecte hantering.
- Originele reserveonderdelen worden geleverd gedurende een periode van 10 jaar vanaf de product aankoopdatum.

1.3. Kinderveiligheid

- Houd de verpakking uit de buurt van kinderen.
- Laat kinderen nooit spelen met het product.
- Als de deur van het product voorzien is van een slot moet u ze uit de buurt van kinderen houden.

1.4. Conformiteit met de WEEE-richtlijn en Verwijdering van afvalproducten

Dit product is conform met de EU WEEE-richtlijn (2012/19/EU). Dit product draagt een classificatiesymbool voor afval elektrische en elektronische apparatuur (WEEE).



Dit product werd vervaardigd met kwalitatief hoogstaande onderdelen en materialen die opnieuw kunnen worden gebruikt en die geschikt zijn voor recycling. U mag het afvalproduct niet verwijderen met het normale huishoudelijke en andere afval aan het einde van de

levensduur. Breng het naar een inzamelcentrum voor de recycling van elektrische en elektronische apparatuur. Raadpleeg uw lokale autoriteiten voor meer informatie over deze inzamelcentra.

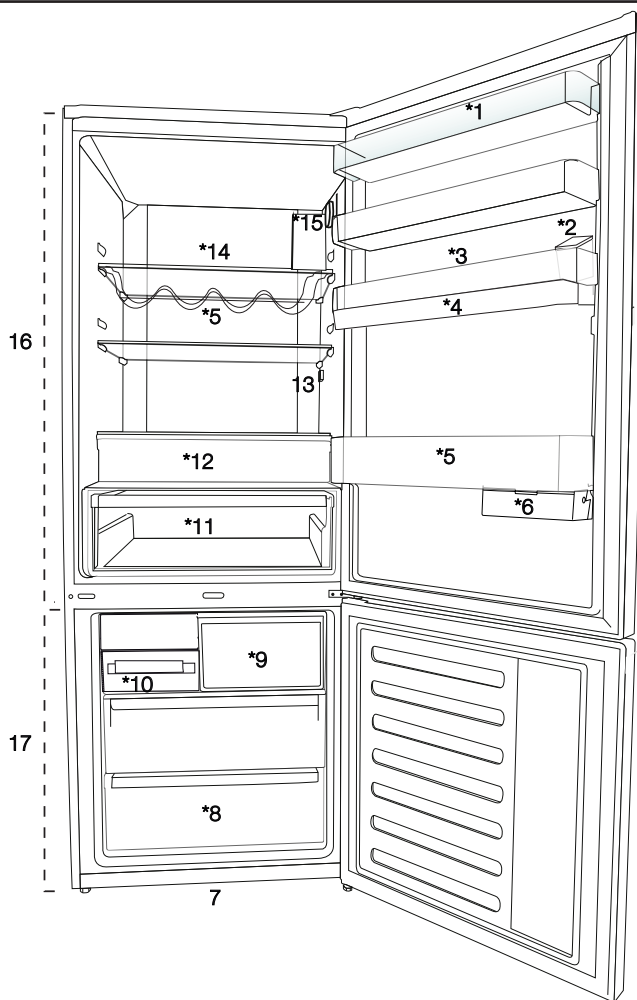
1.5. Conformiteit met de RoHS-richtlijn

- Dit product is conform met de EU WEEE-richtlijn (2011/65/EU). Het bevat geen schadelijk en verboden materiaal zoals gespecificeerd in de Richtlijn.

1.6. Informatie op de verpakking

- Het verpakkingsmateriaal van het product is gefabriceerd van recyclebaar materiaal in overeenstemming met onze Nationale Milieuwetgeving. U mag het verpakkingsmateriaal niet samen met het huishoudelijke of ander afval weggooien. Breng het naar de inzamelpunten voor verpakkingsmateriaal aangewezen door de lokale autoriteiten.

2 Uw koelkast



- | | |
|-----------------------------|---------------------------------|
| 1. Koelvak deurlade | 11. Groentevak |
| 2. Waterdispenser vultank | 12. Nul-graden compartiment |
| 3. Ei-sectie | 13. Interne verlichting |
| 4. Waterdispenser reservoir | 14. Koelvak glazenlade |
| 5. Flessenlade | 15. Temperatuur instelling knop |
| 6. Ijsvak | 16. Koelvak |
| 7. Instelbare voetjes | 17. Vriesvak |
| 8. Vriesvak | |
| 9. Snel vriesvak | |
| 10. Ijslade & ijsbank | |

Is mogelijk niet beschikbaar in alle modellen



***optioneel:** Foto's in deze handleiding dienen enkel als voorbeeld en zijn mogelijk niet exact hetzelfde als uw product. Als de betrokken vakken niet aanwezig zijn in uw product verwijst de informatie naar andere modellen.

3 Installatie

3.1. Correcte plaats voor de installatie

Neem contact op met de Geautoriseerde Dienst voor de installatie van het product. Om het product voor te bereiden voor de installatie kunt u de informatie raadplegen in de handleiding en ervoor zorgen dat de elektrische en watervoorzieningen correct zijn uitgevoerd. Zo niet moet u een elektricien en loodgieter aanspreken om de voorzieningen correct uit te voeren.

	WAARSCHUWING: De fabrikant aanvaardt geen verantwoordelijkheid voor eventuele schade veroorzaakt door werkzaamheden die worden uitgevoerd door niet-geautoriseerde personen.
	WAARSCHUWING: Het netsnoer van het product moet uit het stopcontact worden verwijderd tijdens de installatie. Zo niet kan dit fataal aflopen of resulteren in ernstige letsels!
	WAARSCHUWING: Als de deuropening te nauw is om het product door te laten, moet u de deur verwijderen en het product zijdelings draaien; als dit niet werkt, kunt u contact opnemen met de geautoriseerde dienst.

- Plaats het product op een vlakke ondergrond om trillingen te vermijden.
- Plaats het product minimum 30 cm verwijderd van de radiator, het fornuis en gelijkaardige warmtebronnen en minimum 5 cm van elektrische ovens.
- U mag het product niet blootstellen aan direct zonlicht en u mag het niet bewaren in een vochtige omgeving.
- Het product vereist voldoende luchtcirculatie voor een efficiënte werking.
- Als het product in een muurholte wordt geplaatst, mag u niet vergeten minimum 5 cm tussenruimte te laten tussen het product en het plafond en de muren.
- Installeer het product niet in omgevingen met temperaturen van minder dan -5°C .

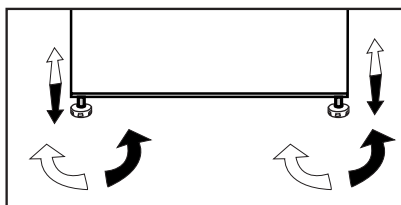
3.2. De plastic spieën bevestigen

Gebruik de plastic spieën die worden geleverd met het product om voldoende ruimte te laten voor de luchtcirculatie tussen het product en de muur.

1. Om de spieën te bevestigen, verwijdert u de schroeven van het product en gebruikt u de schroeven die worden geleverd met de spieën.
2. Bevestig 2 plastic spieën op het ventilatiedeksel zoals aangetoond in de afbeelding.

3.3. De voetjes aanpassen

Als het product niet correct gebalanceerd is, moet u de instelbare voeten vooraan naar links of rechtst draaien.



3.4. Stroomaansluiting

	WAARSCHUWING: Gebruik geen verlengsnoer of meervoudige stopcontacten voor de stroomverbinding.
	WAARSCHUWING: Een beschadigd netsnoer moet worden vervangen door een Geautoriseerde Dienst.
	Als u twee koelers naast elkaar plaatst, moet u minimum 4 cm afstand laten tussen beide toestellen.

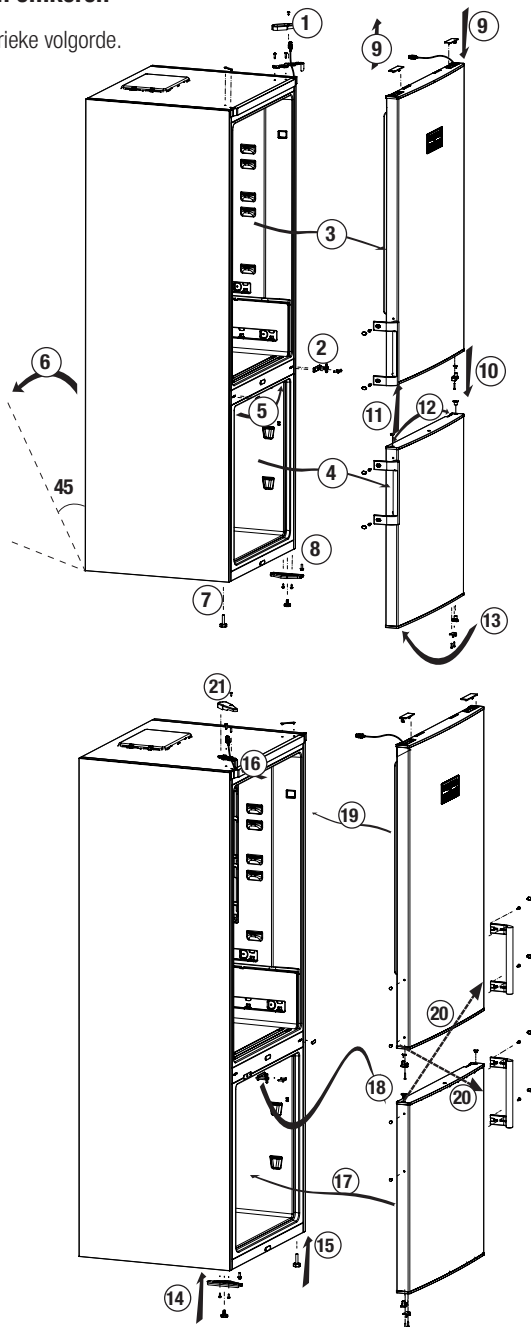
- Ons bedrijf aanvaardt geen verantwoordelijkheid voor eventuele schade door het gebruik zonder aarding en stroomverbinding conform de nationale wetgeving.
- De netstekker moet gemakkelijk toegankelijk blijven na de installatie.
- Gebruik geen multi-groep stekker met of zonder verlengsnoer tussen het stopcontact en de koelkast.

	Waarschuwing voor heet oppervlak! De zijwanden van uw product zijn uitgerust met koelmiddelleidingen om het koelsysteem te verbeteren. Koelmiddel met hoge temperaturen kunnen door deze zones stromoen en dit kan resulteren in warme oppervlakken op deze wanden. Dit is normaal en vereist geen onderhoud. Let op wanneer u deze zones aanraakt.
---	---

Installatie

3.5. De deuren omkeren

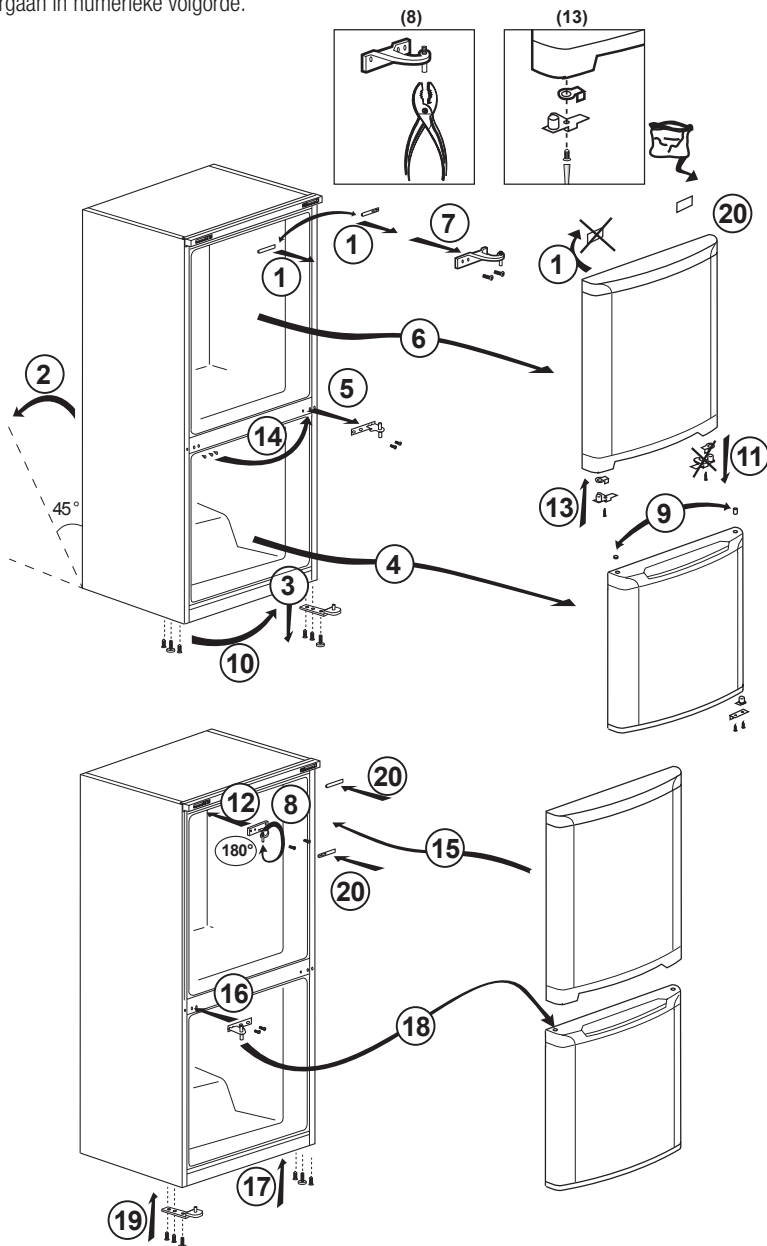
Doorgaan in numerieke volgorde.



Installatie

3.6. De deuren omkeren

Doorgaan in numerieke volgorde.



4.1. Wat u kunt doen om energie te besparen



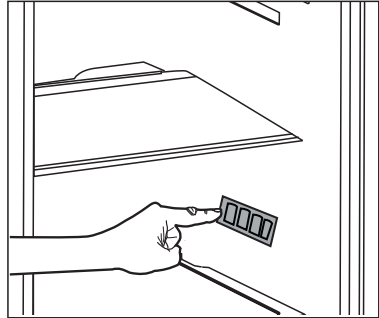
Het product verbinden met elektronische energiebesparende systemen is schadelijk want het kan uw product beschadigen.

- Voor een vrijstaand apparaat; “dit koelend apparaat is niet bedoeld voor gebruik als een ingebouwd apparaat”;
- Houd de deur van de koelkast niet te lang open.
- Plaats geen warme dranken in de koelkast.
- U mag de koelkast niet te veel opvullen; als u de interne luchtcirculatie blokkeert, vermindert het koelvermogen.
- Om een maximale hoeveelheid etenswaren op te slaan in het koelvak van uw koelkast kunt u de bovenste laden verwijderen en ze op het glazen rek plaatsen. Het vermelde energieverbruik van uw koelkast werd bepaald door het koelvak, ijslade en bovenste laden te verwijderen op een wijze die een optimale bewaring toelaat. Het is aangeraden de onderste lade te gebruiken om etenswaren te bewaren. De energiebesparingsfunctie moet worden ingeschakeld voor een optimaal energieverbruik.
- U mag de luchtstroom niet blokkeren door etenswaren voor de ventilator te plaatsen. U moet minimum 3cm vrij laten voor het rooster van de ventilator wanneer u etenswaren in de koelkast plaatst.
- Afhankelijk van de kenmerken van het product; ingevroren etenswaren ontdooien in het koelvak resulteert in energiebesparing en bewaart de kwaliteit van de etenswaren.
- Etenswaren moeten worden bewaard op de laden in het koelvak om energie te besparen en etenswaren in betere omstandigheden te beschermen.
- Pakketten met etenswaren mogen niet in direct contact staan met de warmtesensor in het koelvak. Als ze in contact staan met de sensor kan het energieverbruik van het apparaat stijgen.
- Zorg ervoor dat de etenswaren niet in contact komen met de hieronder beschreven temperatuursensor van het koelvak.
- Aangezien warme en vochtige lucht niet direct in uw product doordringt als de deuren niet geopend zijn, zal uw product zichzelf optimaliseren in omstandigheden die voldoende zijn om uw voedsel te beschermen. Functies en onderdelen zoals een compressor, ventilator, verwarmers, ontdooien, verlichting, display enzovoort zullen werken volgens de behoeften om in deze omstandigheden een minimum aan energie te verbruiken.

4.2. Eerste gebruik

Voor u de koelkast in gebruik neemt, moet u ervoor zorgen dat u de nodige voorbereidingen treft in overeenstemming met de instructies vermeld in de “Veiligheids- en omgevingsinstructies” en “Installatie” secties.

- Schakel het product in zonder etenswaren en laat het werken gedurende 6 uur. Open de deur niet tenzij absoluut noodzakelijk.



Een geluidssignaal weerklinkt wanneer de compressor wordt ingeschakeld. Het is normaal dat u geluid hoort, zelfs als de compressor niet ingeschakeld is, omwille van de perslucht en gassen in het koelsysteem.



De voorste randen van het apparaat kunnen opwarmen. Dit is normaal. Deze zones zijn ontworpen om op te warmen en condensatie te vermijden.



In sommige modellen schakelt het indicatorpaneel automatisch uit 5 minuten nadat de deur sluit. Ze wordt opnieuw ingeschakeld wanneer de deur geopend wordt of een toets ingedrukt wordt.

5 Het product gebruiken

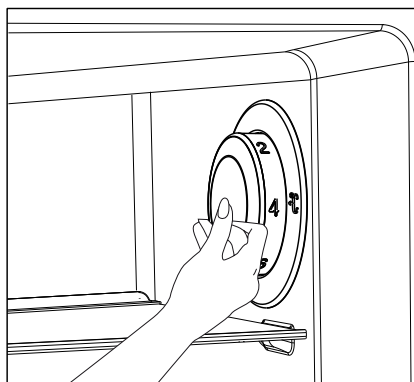
5.1. Temperatuur instelling knop

De interne temperatuur van uw koelkast kan variëren omwille van de volgende redenen:

- Seizoensgebonden temperaturen;
- De deur regelmatig openen en ze langdurig open laten,
- Maaltijden in de koelkast plaatsen zonder ze af te laten koelen tot kamertemperatuur,
- De locatie van de koelkast in de kamer (bijv. blootgesteld aan zonneschijn).
- Interne temperatuurvariaties omwille van deze factoren kunnen worden aangepast met de regelknop.

De cijfers rond de regelknop geven de temperatuur aan in °C.

Als de omgevingstemperatuur 20°C is, wordt het aanbevolen de temperatuur in de koelkast in te stellen op 4°C. In andere omgevingstemperaturen kan deze waarde worden aangepast.

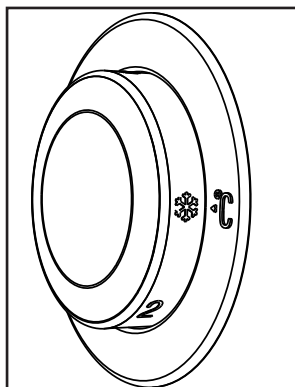


5.2. Snel invriezen

Als u grote hoeveelheden verse etenswaren wilt invriezen, schakelt u de temperatuur regelknop op de (❄️) stand voor u etenswaren in het snel vriesvak plaatst.

Het wordt aanbevolen de knop op deze stand te houden gedurende 24 uur om een maximale hoeveelheid etenswaren in te vriezen, aangegeven als de vriescapaciteit. U mag geen etenswaren, die als ingevroren etenswaren worden verkocht, mengen met verse etenswaren.

Vergeet niet de temperatuur regelknop terug te schakelen naar de vorige stand.



Is mogelijk niet beschikbaar in alle modellen



***Optioneel:** De afbeeldingen in deze handleiding zijn bedoeld als schetsen en het is mogelijk dat ze niet perfect overeenstemmen met uw product. Als de betrokken vakken niet aanwezig zijn in uw product verwijst de informatie naar andere modellen.

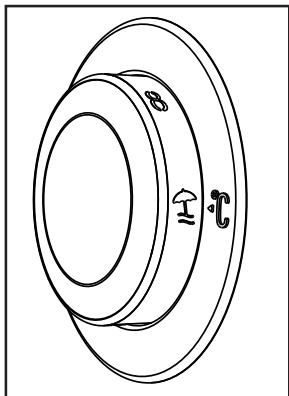
Het gebruik van het product

5.3. Vakantiefunctie

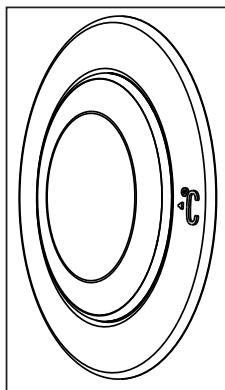
Als de deuren van het product niet worden (↑) geopend gedurende minimum 12 uur nadat de temperatuur ingesteld werd op de hoogste positie wordt de vakantiefunctie automatisch ingeschakeld.

De knop instelling moet worden gewijzigd om deze functie te annuleren.

Het is niet aanbevolen etenswaren te bewaren in het koelvak wanneer de vakantiefunctie ingeschakeld is.



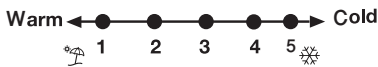
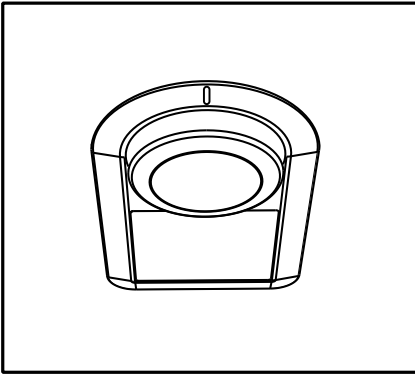
- Nadat u deze instelling voltooid hebt, kunt u de temperatuurregelknop verbergen door hem in te drukken.



Het gebruik van het product

5.4. Thermostaat instellingtoets

De bedrijfstemperatuur wordt geregeld met de temperatuurbediening.



1=Laagste koelmiddel instelling (Warmste instelling).

4=Hoogste koelmiddel instelling (Koudste instelling).

De gemiddelde temperatuur in de koelkast moet ca. +5°C bedragen.

Kies een instelling in overeenstemming met de gewenste temperatuur.

Let erop dat er verschillende temperaturen zullen zijn in de koelzone.

De koudste regio bevindt zich vlak boven het groentevak.

De interne temperatuur hangt ook af van de omgevingstemperatuur, de regelmaat waarmee de deur wordt geopend en de hoeveelheid voedingsmiddelen die in de koelkast worden bewaard. De deur regelmatig openen, zal de temperatuur doen stijgen.

Om die reden is het aanbevolen de deur zo snel mogelijk na gebruik opnieuw te sluiten:

5.5. Thermostaat instellingtoets

De interne temperatuur van uw koelkast verandert omwille van de volgende redenen,

- Seizoensgebonden temperaturen,
- Het regelmatig openen van de deur en de deur langdurig open te laten,
- Voedingsmiddelen in de koelkast geplaatst zonder ze te laten afkoelen tot kamertemperatuur,
- De locatie van de koelkast in de ruimte (bij blootstelling aan zonlicht).
- U kunt de variërende interne temperatuur aanpassen omwille van dergelijke redenen met de thermostaat. De cijfers rond de thermostaatknop geven de koelgraden weer.
- Als de omgevingstemperatuur hoger is dan 32°C draait u de thermostaatknop naar de maximum positie.
- Als de omgevingstemperatuur lager is dan 25°C, draait u de thermostaatknop naar de minimum positie.

5.6. Ontdooien

Koelvak

Het koelvak voert een volautomatisch ontdooiproces uit. Water druppelt en vorst van 7-8 mm kan optreden op de interne achterwand van het koelvak terwijl uw koelkast afkoelt. Een dergelijke vorming is normaal als resultaat van het koelsysteem.

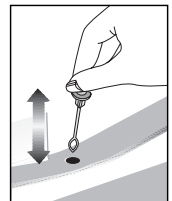
De vorstvorming ontdooit door de automatische ontdooiing met bepaalde intervallen dankzij het automatische ontdooisysteem van de achterwand. De gebruiker hoeft de vorst niet weg te krabben of de waterdruppels te verwijderen.

Water van de ontdooiing loopt van de wateropvanggroef en stroomt in de verdamper via de afvoerleiding en verdampt daar.

Het vriesvak voert de automatische ontdooiing niet uit om de ingevroren voedingsmiddelen niet te beschadigen.

Het vriesvak ontdooit automatisch.

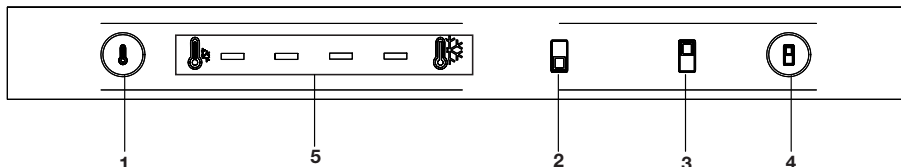
Inspecteer de afvoerleiding regelmatig op verstoppingen en, indien noodzakelijk, verwijdert u deze verstoppingen met de stok.



Is mogelijk niet beschikbaar in alle modellen

Het gebruik van het product

5.7. Indicatorpaneel



- 1.** Toets om de koeling waarde te wijzigen: Deze wordt gebruikt om de koeling waarde aan te passen van het koel- en vriesvak. Als u deze toets indrukt terwijl de vriesvakindicator (2) is ingeschakeld, wordt de koeling in het vriesvak gewijzigd. Als u deze toets indrukt terwijl de koelvakindicator (3) is gewijzigd, wordt de koeling in het koelvak gewijzigd.
- 2.** Vriesvakindicator Als deze indicator is ingeschakeld, wordt de huidige koeling waarde van het vriesvak weergegeven op de koelingindicator (5). U kunt de toets indrukken om de koeling waarde wijzigen (1) om de koeling waarde van het vriesvak te wijzigen.
- 3.** Koelvakindicator Als deze indicator is ingeschakeld, wordt de huidige koeling waarde van het koelvak weergegeven op de koelingindicator (5). U kunt de toets indrukken om de koeling waarde wijzigen (1) om de koeling waarde van het koelvak te wijzigen.
- 4.** Vak selectieschakelaar: Het wordt gebruikt om het koel- en vriesvak te selecteren.
- 5.** Koelingindicator: Deze geeft de koeling waarde weer van het geselecteerde vak. De koeling waarde wordt verhoogd van links naar rechts.

Is mogelijk niet beschikbaar in alle modellen



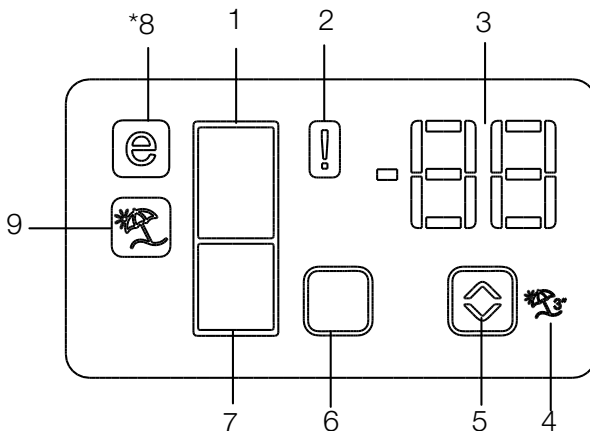
***Optioneel:** De afbeeldingen in deze handleiding zijn bedoeld als schetsen en het is mogelijk dat ze niet perfect overeenstemmen met uw product. Als de betrokken vakken niet aanwezig zijn in uw product verwijst de informatie naar andere modellen.

Het gebruik van het product

5.8. Indicatorpaneel

Indicatorpanelen kunnen variëren in overeenstemming met het productmodel.

Audiovisuele functies op het indicatorpaneel helpen u bij het gebruik van uw product.



1. Koelvakindicator
2. Foutstatus indicator
3. Temperatuurindicator
4. Vakantiefunctie knop
5. Temperatuurstelling knop
6. Compartimentselectie knop
7. Vriesvakindicator
8. Besparingsmodus indicator
9. Vakantiefunctie indicator

***optioneel**

Is mogelijk niet beschikbaar in alle modellen



***Optioneel:** De afbeeldingen in deze handleiding zijn bedoeld als schetsen en het is mogelijk dat ze niet perfect overeenstemmen met uw product. Als de betrokken vakken niet aanwezig zijn in uw product verwijst de informatie naar andere modellen.

Het gebruik van het product

1. Koelvakindicator

Het licht van de koelvakindicator licht op wanneer de temperatuur van het koelvak wordt ingesteld.

2. Foutstatus indicator

Als u koelkast onvoldoende koelt of in het geval van een sensorfout wordt deze indicator ingeschakeld. Als deze indicator wordt ingeschakeld, verschijnt "E" op de vriesvak temperatuurindicator en cijfers zoals "1, 2, 3, ..." verschijnen op de vriesvak temperatuurindicator. Deze cijfers op de indicator lichten het onderhoudspersoneel in over het defect.

3. Temperatuurindicator

Geeft de temperatuur aan in het vries- of koelvak.

4. Vakantiefunctie knop

Druk op de Vakantieknoop gedurende 3 seconden om deze functie in te schakelen. Wanneer de vakantiefunctie ingeschakeld is, verschijnt "- -" op de temperatuurindicator van het koelvak en er wordt geen actieve afkoeling uitgevoerd in het koelvak. Het is niet aanbevolen etenswaren te bewaren in het koelvak wanneer de vakantiefunctie ingeschakeld is. Andere vakken blijven afkoelen op basis van de ingestelde temperatuur.

Om deze functie te annuleren, drukt u opnieuw op de knop **Vakantie**.

5. Temperatuurinstelling knop

Wijzigt de temperatuur van het relevante vak tussen -24°C... -18°C en 8°C...1°C.

6. Compartimentsselectie knop

Selectieschakelaar: Druk op de selectieschakelaar van het vak om te schakelen tussen het koel- of vriesvak.

7. Vriesvakindicator

Het licht van de koelvakindicator licht op wanneer de temperatuur van het vriesvak wordt ingesteld.

8. Besparingsmodus indicator

Geeft aan dat de koelkast in de energiebesparingsmodus werkt. Dit scherm wordt ingeschakeld als de temperatuur van het vriesvak is ingesteld op -18°C.

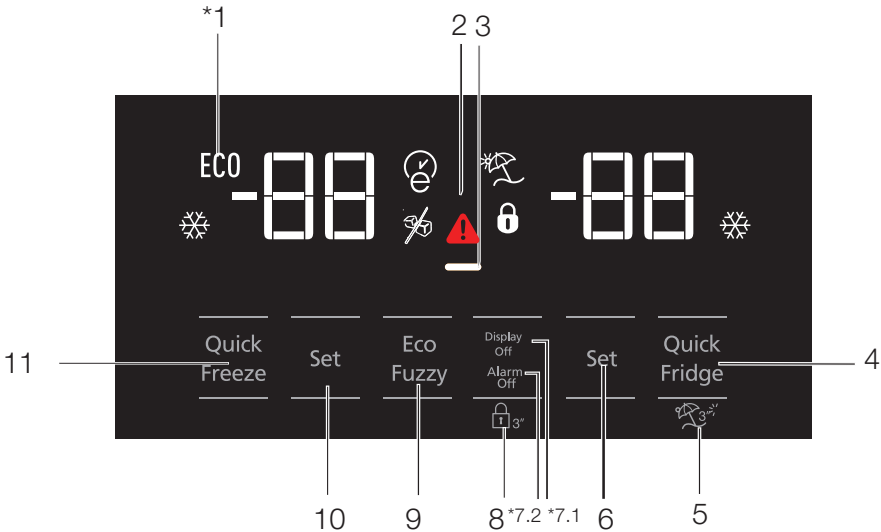
9. Vakantiefunctie indicator

Wijst erop dat de vakantie is ingeschakeld.

Het gebruik van het product

5.9. Indicatorpaneel

Dit touch-control indicatorpaneel biedt u de mogelijkheid de temperatuur in te stellen zonder de deur van uw koelkast te openen. Raak de relevante knop aan met uw vinger om de temperatuur in te stellen.



- 1- Economisch gebruik
- 2- Hoge temperatuur / fout alarm
- 3- Energiebesparingsfunctie (scherm uit)
- 4- Snel koelen
- 5- Vakantiefunctie
- 6- Koelvak temperatuurinstelling
- 7- Energiebesparing (scherm uit) / Alarm uit waarschuwing
- 8- Toetsenbord vergrendeling
- 9- Eco-fuzzy
- 10- Vriesvak temperatuurinstelling
- 11- Snel invriezen

Is mogelijk niet beschikbaar in alle modellen




***Optioneel:** De afbeeldingen in deze handleiding zijn bedoeld als schetsen en het is mogelijk dat ze niet perfect overeenstemmen met uw product. Als de betrokken vakken niet aanwezig zijn in uw product verwijst de informatie naar andere modellen.

Het gebruik van het product

1. Economisch gebruik

Dit symbool licht op wanneer het vriesvak ingesteld is op -18°C , de meest energiebesparende instelling. (ECO) De Economisch gebruik indicator schakelt uit wanneer de snel koelen of snel invriezen functie is geselecteerd.

2. Hoge temperatuur / fout alarm

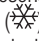
Deze indicator () licht op in het geval van temperatuurfouten of foutmeldingen. Deze indicator licht op tijdens een stroompanne, hoge temperatuurfouten en foutwaarschuwingen. Tijdens langdurige stroompannes knippert de hoogste temperatuur die het vriesvak bereikt op het digitale scherm. Nadat u de voedingsmiddelen in het vriesvak hebt gecontroleerd, drukt u op de knop Alarm uit om de melding te wissen.

3. Energiebesparingsfunctie (scherm uit)



Als de deuren van het product gesloten worden gehouden gedurende een lange periode wordt de energiebesparingsfunctie automatisch ingeschakeld en het energiebesparing symbool licht op. Wanneer de energiebesparingsfunctie ingeschakeld wordt, schakelen alle symbolen op het scherm uit, behalve het energiebesparing symbool. Als de Energiebesparingsfunctie is ingeschakeld en een knop wordt ingedrukt of de deur wordt geopend, wordt de energiebesparingsfunctie geannuleerd en de symbolen op het scherm keren terug naar normaal.

De energiebesparingsfunctie wordt ingeschakeld tijdens de levering van de fabriek en kan niet worden geannuleerd.

4. Snel koelen


Als de snel koelen functie is ingeschakeld, licht de snel koelen indicator op () en de temperatuurindicator van het koelvak geeft de waarde 1 weer. Druk opnieuw op de Snel koelen knop om deze functie te annuleren. De Snel koelen indicator schakelt uit en keert terug naar de normale instelling. De snel koelen functie wordt automatisch geannuleerd na 1 uur tenzij de gebruiker ze annuleert. Als u een grote hoeveelheid verse etenswaren moet koelen, drukt u op de snel koelen knop voor u etenswaren in het koelvak plaatst.

5. Vakantiefunctie


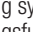
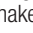
Houd de knop () 3 seconden ingedrukt om de vakantiefunctie in te schakelen; dit schakelt de vakantiemodus indicator () in. Als de Vakantiefunctie actief is, geeft de temperatuurindicator van het koelvak " - " weer en er is geen koelproces actief in het koelvak. Deze functie is niet geschikt om etenswaren in het koelvak te bewaren. Andere compartimenten blijven gekoeld bij de respectieve temperatuur die werd ingesteld voor ieder compartiment.

Druk opnieuw op de **Vakantiefunctie knop** om deze functie te annuleren.

6. Koelvak temperatuurinstelling

Nadat u de knop hebt ingedrukt, kan de temperatuur van het koelvak worden ingesteld op 8,7,6,5,4,3,2 en 1 respectievelijk. ()


7.1. Energie besparen (scherm uit)


Als u deze knop () indrukt, licht het energiebesparing symbool () op en de energiebesparingsfunctie wordt ingeschakeld. Als u de energiebesparingsfunctie inschakelt, schakelen alle andere symbolen op het scherm uit. Als u, wanneer de energiebesparingsfunctie ingeschakeld is, een knop indrukt of de deur opent, schakelt de energiebesparingsfunctie uit en de symbolen op het scherm keren terug naar normaal. Als u deze knop () indrukt, schakelt het energiebesparing symbool uit en schakel de energiebesparingsfunctie uit.

7.2. Alarm uit waarschuwing:

In het geval van een stroomuitval/hoge temperatuur alarm, nadat u de voedingsmiddelen in het vriesvak hebt gecontroleerd, drukt u op de knop Alarm uit om de melding te wissen.

8. Toetsenbord vergrendeling

Druk gedurende drie seconden op de knop toetsenbord vergrendeling () Het toetsenbord vergrendeling teken

() licht op en de toetsenbord vergrendeling wordt ingeschakeld. De knoppen zullen niet actief zijn wanneer de Toetsenbord vergrendeling is ingeschakeld. Druk opnieuw op de Toetsenbord vergrendeling knop gedurende 3 seconden. Het toetsenbord vergrendeling symbool schakelt uit en de toetsenbord vergrendeling modus wordt vrijgegeven.

Druk op de knop **Toetsenbord vergrendeling** () om de wijziging van de temperatuurinstellingen van de koelkast te voorkomen.


Het gebruik van het product

9. Eco-fuzzy


Om de eco-fuzzy functie in te schakelen, moet u de eco-fuzzy knop gedurende 1 seconde ingedrukt houden. Als deze functie ingeschakeld is, schakelt de diepvriezer over op de economische modus na minimum 6 uur en de economisch gebruiksindicator begint te branden. Om de  eco-fuzzy functie in te schakelen, moet u de eco-fuzzy functie knop gedurende 3 seconden ingedrukt houden.


De indicator begint te branden na 6 uur als de eco-fuzzy functie ingeschakeld is.

10. Vriesvak temperatuurinstelling

De temperatuur in het vriesvak kan ingesteld worden. Als u de knop indrukt, kan de temperatuur van het vriesvak worden ingesteld op -18, -19, -20, -21, -22, -23 en -24. 

11. Snel invriezen

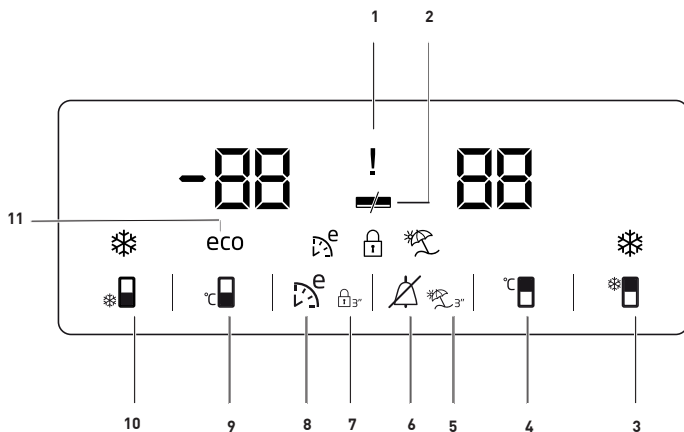
Om snel in te vriezen, drukt u op de knop; dit schakelt de snel invriezen indicator  in.

Wanneer de snel invriezen functie ingeschakeld is, begint de snel koelen indicator te branden en de temperatuurindicator van het koelvak geeft de waarde -27 weer. Druk opnieuw op de knop Snel invriezen  om deze functie te annuleren. De Snel invriezen indicator schakelt uit en keert terug naar de normale instelling. De snel invriezen functie wordt automatisch geannuleerd na 24 uur tenzij de gebruiker ze annuleert. Als u een grote hoeveelheid verse etenswaren moet invriezen, drukt u op de snel invriezen knop voor u etenswaren in het vriesvak plaatst.

Het gebruik van het product

5.10. Indicatorpaneel

Het indicatorpaneel laat u de temperatuur instellen en de andere functies van het product bedienen zonder de deur van het product te openen. Druk gewoonweg op het opschrift van de relevante knoppen voor de functie-instellingen.



1. Stroomuitval/Hoge temperatuur/Foutmelding indicator

Deze indicator (!) licht op in het geval van een stroomuitval, een hoge temperatuur defect en voor foutmeldingen.

Wanneer de temperatuur van het vriesvak opwarmt tot een kritisch niveau voor de ingevroren etenswaren knippert de maximale waarde van de temperatuur van het vriesvak op de digitale indicator.

Controleer de etenswaren in het vriesvak

Dit is geen storing. De waarschuwing kan worden verwijderd door een van de knoppen of de hoge temperatuur alarmknop in te drukken (Het annuleren van het alarm door een knop in te drukken is niet van toepassing op elk model.)

Deze indicator (!) licht ook op wanneer een sensorfout optreedt. Wanneer deze indicator oplicht, verschijnen "E" en cijfers zoals "1,2,3..." alternerend op de temperatuurindicator. Deze cijfers op de indicator lichten het servicepersoneel in over de fout.

2. Energiebesparingsfunctie (display uit):

Als de deuren van het product een lange periode gesloten zijn, wordt de functie energiebesparing automatisch geactiveerd en het symbool voor energiebesparing licht op. (🔋)

Wanneer de functie energiebesparing geactiveerd is, zullen alle symbolen op de display anders dan het symbool voor energiebesparing uit gaan.

Wanneer de functie Energiebesparing geactiveerd is, zal de functie energiebesparing, als er op een knop gedrukt wordt of de deur geopend wordt, worden geannuleerd en de symbolen op de display zullen terugkeren naar normaal.

De functie Energiebesparing wordt geactiveerd bij levering van fabriek en kan niet worden geannuleerd.

Is mogelijk niet beschikbaar in alle modellen



***Optioneel:** De afbeeldingen in deze handleiding zijn bedoeld als schetsen en het is mogelijk dat ze niet perfect overeenstemmen met uw product. Als de betrokken vakken niet aanwezig zijn in uw product verwijst de informatie naar andere modellen.

Het gebruik van het product

3. Functie Quick Fridge (snelkoelen)



De knop heeft twee functies. Druk deze knop kort in om de Quick Cool (snelkoel)-functie te activeren. De Quick Cool (snelkoel)-aanduiding gaat uit en keert terug naar de normale instellingen. 

	Gebruik de snelkoelfunctie als u het voedsel dat u in het koelkastgedeelte heeft gelegd snel wilt koelen. Indien u grotere hoeveelheden vers voedsel wilt koelen, moet u deze functie activeren vóór het voedsel in het product te plaatsen.
	Als u de functie niet annuleert, schakelt Quick Fridge (snelkoelen) zichzelf automatisch uit na 1 uur of wanneer het koelvak de gewenste temperatuur bereikt.
	Wanneer u de knop Quick Fridge (snelkoelen) herhaaldelijk met korte onderbrekingen indrukt, wordt de zekering van de elektronische schakeling geactiveerd en start de compressor niet meteen op.
	Deze functie wordt niet opgeroepen wanneer de stroom herstelt na een stroomstoring.

4. Temperatuurregelaar koelgedeelte

Druk op deze knop om de temperatuur van het koelkastgedeelte in te stellen op respectievelijk 8, 7, 6, 5, 4, 3, 2, 1, 8... Druk deze knop in om de gewenste temperatuur voor het koelgedeelte in te stellen. 



5. Vakantiefunctie

Druk gedurende 3 seconden op deze knop  om de vakantiefunctie te activeren. De indicator voor de vakantiemodus  wordt geactiveerd. Als deze functie actief is, verschijnt "- -" op de temperatuurindicator van het koelgedeelte en zal het koelgedeelte niet koelen. Het is niet geschikt om levensmiddelen in het koelgedeelte te houden wanneer deze functie wordt geactiveerd. Andere compartimenten blijven afgekoeld worden om vanaf hun vastgestelde temperatuur worden gekoeld. Druk om deze functie te annuleren opnieuw op de knop van de Vakantiefunctie.

6. Uitschakeling van de Hoge temperatuur waarschuwing:


In het geval van een stroomuitval/hoge temperatuur waarschuwing kunt u de waarschuwing  verwijderen door een knop in te drukken op de indicator of de hoge temperatuur alarm uit-knop in te drukken gedurende 1 seconde nadat u de etenswaren in het vriesvak hebt gecontroleerd. Opmerking: Het annuleren van het alarm door een knop in te drukken is niet van toepassing op elk model.

7. Toetsvergrendeling

Druk de knop Toetsvergrendeling  3 seconden gelijktijdig in. Het symbool toetsvergrendeling  licht op en de Toetsvergrendelingsmodus wordt ingeschakeld. Knoppen zullen niet functioneren als de Toetsvergrendelingsmodus is ingeschakeld. Druk de knop Toetsvergrendeling nogmaals 3 seconden gelijktijdig in. Het symbool Toetsvergrendeling gaat uit en de Toetsvergrendelingsmodus wordt uitgeschakeld.

Druk op de knop **toetsvergrendeling** als u wilt voorkomen dat de temperatuurstelling van de koelkast wordt gewijzigd ().


8. Eco fuzzy

Druk een seconde op de knop Eco fuzzy om de Eco fuzzy-functie in te schakelen. De koelkast begint minstens 6 uur later in de meest economische modus te werken en de aanduiding economisch gebruik licht op wanneer de functie actief is (). Druk gedurende drie seconden op de functieknop Eco fuzzy om de Eco Extra-functie uit te schakelen. Deze indicator gaat na 6 uur aan als Eco fuzzy is geactiveerd.




9. Temperatuurregelaar diepvriesvak

Druk op deze knop om de temperatuur van het diepvriesgedeelte in te stellen op respectievelijk -18, -19, -20, -21, -22, -23, -24, -18... Druk deze knop in om de gewenste temperatuur voor het diepvriesvak in te stellen. 

10. Functieknop Quick Freeze (snelvriezen) en aan/uit-knop Icematic

Druk deze knop in om de Quick Freeze (snelvries)-functie te activeren. Als u de functie activeert, wordt het vriesgedeelte gekoeld tot een temperatuur die lager ligt dan de ingestelde waarde.  Om de Icematic aan en uit te zetten drukt u deze gedurende 3 seconden in.

Het gebruik van het product

	Gebruik de snelvriesfunctie als u het voedsel dat u in het koelkastgedeelte heeft gelegd snel wilt invriezen. Indien u grotere hoeveelheden vers voedsel wilt invriezen, moet u deze functie activeren vóór het voedsel in het product te plaatsen.
	Indien u de functie Quick Freeze (snelvriezen) niet annuleert, zal de functie zichzelf na 24 uur annuleren, of wanneer het vriesgedeelte de vereiste temperatuur heeft bereikt.
	Deze functie wordt niet opgeroepen wanneer de stroom herstelt na een stroomstoring.

11. Indicator zuinig gebruik

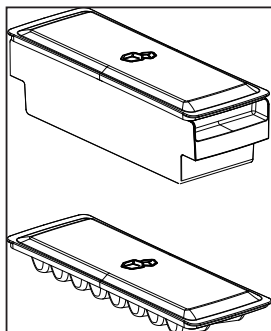
Geeft aan dat het product in een energie-efficiënte modus draait. **(eco)** Deze indicator wordt actief als het diepvriesgedeelte is ingesteld op -18 of als de energie-efficiënte koeling wordt uitgevoerd door de Eco-Extra-functie.

	De Indicator voor Zuinig gebruik gaat uit als de functie Snelkoelen of Snelvriezen wordt geselecteerd.
---	--

5.11. IJsemmer

*optioneel

- Verwijder de ijsemmer uit het vriesvak.
 - Vul de ijsemmer met water.
 - Plaats de ijsemmer in het vriesvak.
- Het ijs is klaar na ongeveer twee uur.
Verwijder de ijsemmer uit het vriesvak en buig hem lichtjes over de houder die u zult opdienen. IJs kan gemakkelijk in de service houder worden gegoten.



5.12. Eihouder

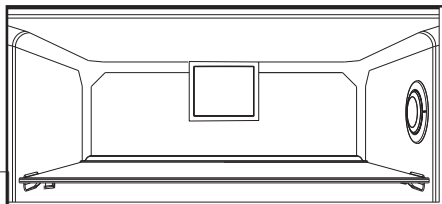
U kunt de eihouder in de deur of het rek in de koelkast plaatsen. Als u hem in het rek van de koelkast plaatst, is het aanbevolen de onderste laden te gebruiken aangezien deze koeler zijn.

	Plaats de eihouder niet in het vriesvak.
---	--

5.13. Ventilator

De ventilator is ontworpen om koude lucht te laten circuleren in uw koelkast. De werkduur van de ventilator kan variëren naargelang de functies van uw product.

Hoewel in sommige producten de ventilator slechts werkt met de compressor, bepaalt het controlesysteem in andere producten de werkduur op basis van de koelvereisten.



5.14. Groentevak

*optioneel

Het groentevak van de koelkast is ontworpen om groenten vers te houden door de vochtigheid te bewaren. Om die reden wordt de algemene koude luchtcirculatie verhoogd in het groentevak.

5.15. Nul-graden compartiment

*optioneel

Gebruik dit compartiment om delicatessen te bewaren bij lagere temperaturen of vleeswaren voor onmiddellijk gebruik.

Het nul-graden compartiment is de koelste plaats waar etenswaren zoals zuivelproducten, vlees, vis en kip kunnen worden bewaard in ideale bewaaromstandigheden. Groenten en/of fruit mogen niet worden bewaard in dit compartiment.

Het gebruik van het product

5.16. Het gebruik van de tweede crisper van het product;



Afbeelding 1.

Zoals weergegeven in de afbeelding zijn er 2 stoppers in de tweede crisper van het K70560 model.



Afbeelding 2.

De tweede crisper ziet er uit zoals in Afbeelding 2 wanneer deze gesloten is.



Afbeelding 3.

Met de deur open op 90° trekt u de tweede crisper tot de eerste stopper zoals weergegeven in Afbeelding 3.

Als de lade verder geopend is, moet u eerst de deur ten minste 135° openen. Daarna, zoals weergegeven in Afbeelding 4, tilt u de tweede crisper 5 mm omhoog zodat hij vrij komt van de eerste crisper.



Afbeelding 4.

Na het optilten trekt u de tweede lade omhoog tot de tweede stopper zoals weergegeven in Afbeelding 5.



Afbeelding 5.

Het gebruik van het product

5.17. Bewegend deurrek

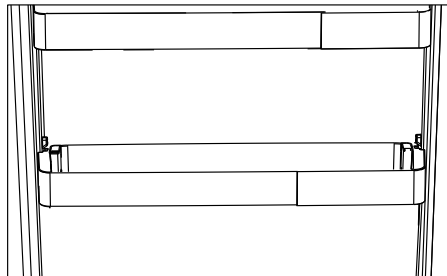
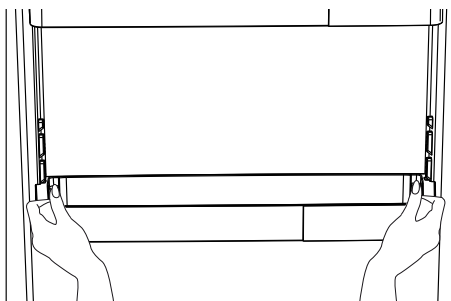
*optioneel

Het bewegende deurrek kan worden bevestigd in 3 posities.

Om het rek te verplaatsen, drukt u op de knoppen aan de zijkant. Het rek is verplaatsbaar.

Verplaats het rek omhoog of omlaag.

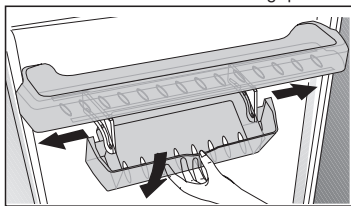
Nadat u het rek in de gewenste positie hebt geplaatst, laat u de knoppen los. Het rek wordt opnieuw bevestigd in de positie waar u de knoppen hebt losgelaten.



5.18. IJsvak

*optioneel

Dit accessoire werd ontworpen om het gebruiksvolume van het deurvak te vergroten. Dankzij het vermogen zijwaarts te schuiven, kunt u gemakkelijk een lange fles, container of doos plaatsen die u in het flessenrek had geplaatst.



5.19. Ontgeurdermodule

(FreshGuard) *optioneel

De ontgeurdermodule verwijdt de onaangename geurtjes in uw koelkast snel voor ze doordringen in de oppervlakken. Dankzij deze module, die is aangebracht op het plafond van het verse etenswaren compartiment, lossen de onaangename geurtjes snel op terwijl de lucht actief door het geurfilter wordt gestroomd. Daarna wordt de lucht die is gereinigd door het filter opnieuw in het verse etenswaren compartiment geblazen. Zo kunnen onaangename geurtjes die optreden tijdens het bewaren van de voedingsmiddelen in de koelkast worden verwijderd voor ze doordringen in de oppervlakken.

Dit is mogelijk dankzij de ventilator, LED en de geurfilter in de module. Tijdens het dagelijks gebruik wordt de ontgeurdermodule automatisch periodiek ingeschakeld. Voor een efficiënte prestatie is het aanbevolen het filter van de ontgeurdermodule elke 5 jaar te laten vervangen door de geautoriseerde leverancier. Omwille van het feit dat de ventilator is ingebouwd in de module is het lawaai dat u hoort tijdens de werking normaal. Als u de deur van het verse etenswaren compartiment opent terwijl de module actief is, zal de ventilator tijdelijk pauzeren en hervatten nadat de deur een tijdje is gesloten gebleven. In het geval van een stroomuitval zal de ontgeurdermodule hervatten voor de volledige tijdsduur zodra de stroom terugkeert.

Informatie: Het wordt aanbevolen aromatische voedingsmiddelen (zoals kaas, olijven en delicatessen voedingsmiddelen) in hun verpakking en afgedicht te bewaren om onaangename geurtjes te vermijden die het resultaat kunnen zijn wanneer de geuren van verschillende voedingsmiddelen worden vermengd. Het wordt bovendien aanbevolen bedorven voedingsmiddelen snel uit de koelkast te verwijderen om te voorkomen dat andere voedingsmiddelen bedorven en om onaangename geurtjes te vermijden.

Het gebruik van het product

5.20. Groentevak met vochtigheidsregeling

*optioneel

Met de vochtigheidscontrolefunctie wordt de vochtigheidsgraad van groenten en fruit onder controle gehouden en dit garandeert langer verse etenswaren

Het is aanbevolen bladgroenten zoals sla en spinazie en gelijkaardige groenten die vocht kunnen verliezen niet op hun wortels te leggen maar zo veel mogelijk in een horizontale positie in het groentevak.

Wanneer u groenten in het vak plaatst, moet u de zware en harde groenten onderaan leggen en de lichte en zachte groenten bovenaan, rekening houdend met de specifieke gewichten van de groenten.

Laat geen groenten in het groentevak in een plastic zak. Als u ze in een plastic zak laat, kunnen ze snel bederven. In situaties waar contact met andere groenten niet wenselijk is, kunt u verpakkingsmateriaal gebruiken, zoals papier, met een zekere porositeit voor hygiënische redenen. Plaats geen fruit die veel ethyleengas produceren zoals peren, abrikozen, perziken en in het bijzonder appels in hetzelfde groentevak met andere groenten en fruit. Het ethyleengas dat ontsnapt uit dit fruit kan ertoe leiden dat groenten en fruit sneller rijpen en bederven.

5.21. Automatische ijsmachine

*optioneel

De automatische ijsmachine biedt u de mogelijkheid gemakkelijk ijs te maken in uw koelkast. Om ijs te maken in de ijsmachine verwijderd u het waterreservoir uit het koelvak. Vul het met water en voer het opnieuw in.

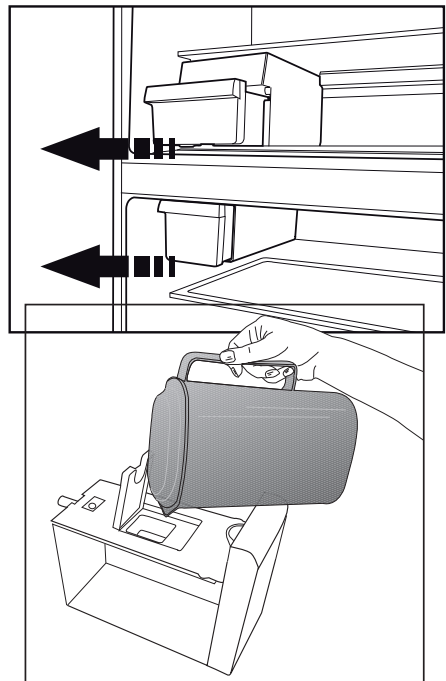
Het eerste ijs is klaar na ongeveer 2 uur in de ijsmachinelade van het koelvak.

Nadat u de volle waterreservoir hebt aangebracht, kunt u ongeveer 60-70 ijsblokjes maken tot het volledig vol is.

Als het water in het reservoir gedurende 2-3 weken blijft, moet u het vervangen.



In producten met automatisch ijsmachine is het mogelijk dat u lawaai hoort wanneer u het ijs uitgiet. Dit geluid is normaal en is geen teken van een defect.



Het gebruik van het product

5.22. Icematic en ijsvak container

*optioneel

Gebruik de Icematic.

Vul de Icematic met water en plaats het in de zitting. Uw ijs is klaar na ongeveer twee uur. Verwijder de Icematic om ijsblokjes te nemen.

Draai aan de knoppen op de ijsreservoirs 90° in wijzerzin.

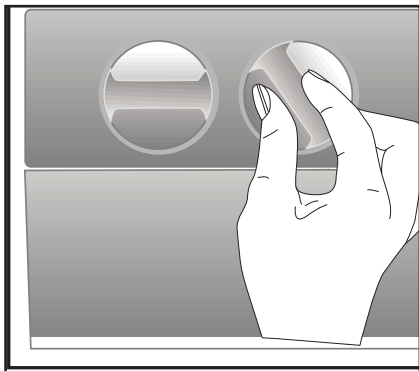
Ijsblokjes in de reservoirs vallen naar beneden in de ijsvak container.

Daarna kunt u het ijsvak verwijderen en het ijs gebruiken.

Als u wilt, kunt u de ijsblokjes in de ijsvak container bewaren.



Ijsvak container

De ijsvak container is enkel bedoeld om de ijsblokjes te verzamelen. Plaats er geen water in. Zo niet kan het breken.

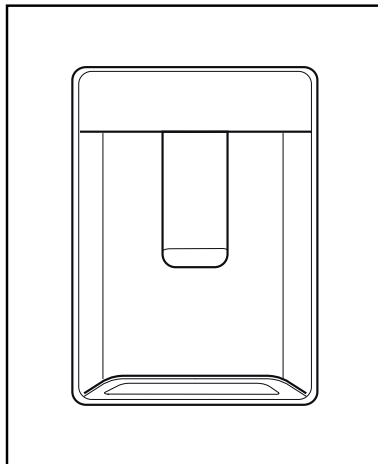


5.23. Het gebruik van de waterdispenser

*optioneel

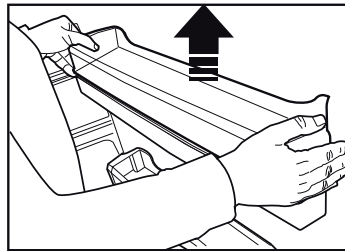
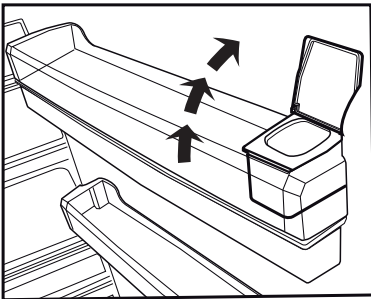
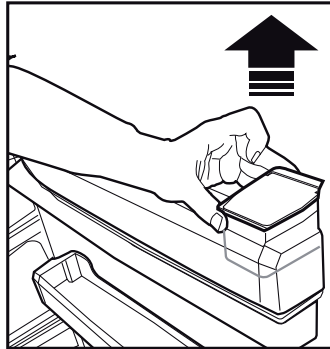
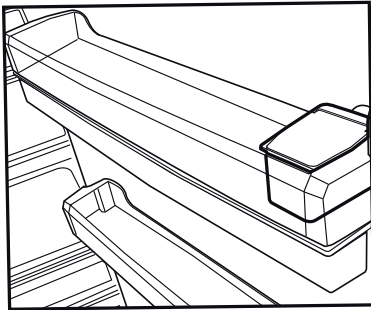
	De eerste paar glazen water van de waterdispenser zijn gewoonlijk warm.
	Als de waterdispenser gedurende een lange periode niet wordt gebruikt, moet u de eerste paar glazen water weggooien om zuiver water te verkrijgen.

1. Duw het hendel van de waterdispenser in met uw glas. Als u een zachte plastic kop gebruikt, is het gemakkelijk het hendel in te drukken met de hand.

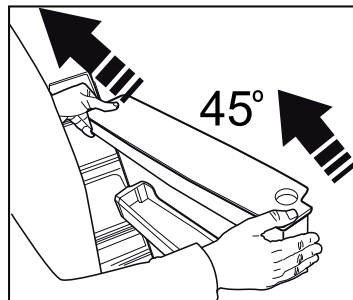


2. Nadat u de kop hebt opgevuld tot het gewenste niveau, laat u het hendel los.

Het gebruik van het product



Merk op dat de hoeveelheid water die uit de dispenser stroomt, afhangt van hoe ver u het hendel indrukt. Naarmate het waterniveau in uw kop / glas stijgt, moet u de druk op het hendel verminderen om overstromingen te voorkomen. Als u de arm licht indrukt, zal het water druppelen; dit is normaal en geen defect.

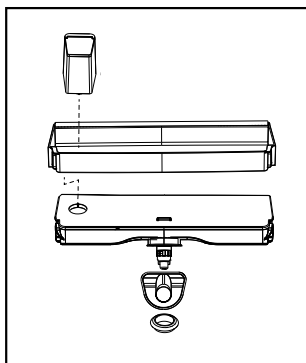
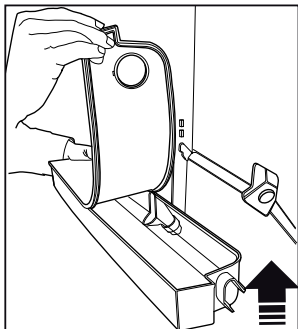


5.24. Het reservoir van de dispenser opvullen met water

Het waterreservoir bevindt zich in het deurrek.

1. Open het deksel van het reservoir.
2. Vul het reservoir met vers drinkwater.
3. Sluit het deksel.

Het gebruik van het product



Vul het waterreservoir niet op met andere vloeistoffen dan water zoals fruitsap, koolzuurhoudende dranken of alcoholische dranken die niet geschikt zijn voor gebruik in de waterdispenser. De waterdispenser zal onherroepelijk worden beschadigd als deze soorten vloeistoffen worden gebruikt. De garantie dekt dergelijke schade niet. Sommige chemische stoffen en additieven in dit soort dranken/vloeistoffen kunnen het waterreservoir beschadigen.



Gebruik enkel zuiver drinkwater.



De capaciteit van het waterreservoir is 3 liter; vul niet veel water bij.

5.25. Het waterreservoir schoonmaken

1. Verwijder het waterreservoir in de het deurrek.
2. Verwijder het deurrek door het vast te nemen met beide handen.
3. Neem het waterreservoir vast aan beide zijden en verwijder het in een hoek van 45°
4. Verwijder het deksel van het reservoir en reinig het.



Onderdelen van het reservoir en de waterdispenser mogen niet worden gewassen in de vaatwasser.

5.26. Druppelvanger

Druppelend water tijdens het gebruik van de waterdispenser accumuleert in het druppelbakje. Verwijder het plastic filter zoals weergegeven in de afbeelding.

Verwijder het geaccumuleerde water met een schone en droge doek.

Het gebruik van het product

5.27. HerbBox/HerbFresh

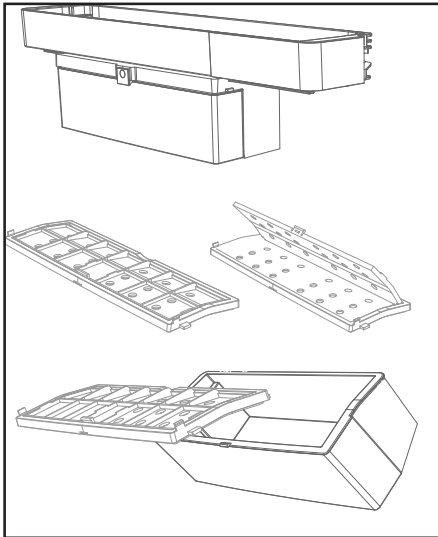
Verwijder de folie van de HerbBox/HerbFresh+

Verwijder de folie uit de tas en plaats hem op de container zoals weergegeven in de afbeelding.

Sluit de container opnieuw en vervang hem in het HerbBox/HerbFresh+ apparaat.

De HerbBox-HerbFresh+ secties zijn ideaal voor de opslag van uiteenlopende kruiden die in delicate omstandigheden moeten worden bewaard. U kunt uw kruiden (peterselie, dille, etc.) horizontaal opslaan in deze sectie zonder ze in zakjes te plaatsen en u kunt ze veel langer bewaren.

De folie moet elke zes maanden worden vervangen.



Het gebruik van het product

5.28. Verse etenswaren invriezen

- Om de kwaliteit van de etenswaren te bewaren, moeten de etenswaren die in het vriesvak worden geplaatst zo snel mogelijk worden ingevroren. Gebruik hiervoor de snel vriezen functie.
- Etenswaren invriezen wanneer ze vers zijn, verlengt de opslagduur in het vriesvak.
- Verpak de etenswaren in luchtdichte verpakkingen en sluit stevig af.
- Zorg ervoor dat de etenswaren verpakt zijn voor u ze in de diepvriezer plaatst. Gebruik diepvriezer containers, tinfoolie en vochtbestendig papier, plastic zakken of gelijkaardige verpakkingsmaterialen in de plaats van het traditionele verpakkingspapier.



IJs in het vriesvak dooit automatisch.

- Markeer iedere verpakking met de datum voor u het invriest. Zo kunt u de versheid van iedere verpakking bepalen wanneer u de diepvriezer opent. Bewaar de oudere etenswaren vooraan zodat u ze eerst gebruikt.

- Ingevroren etenswaren moet onmiddellijk na het ontdooien worden gebruikt en mogen niet opnieuw worden ingevroren.
- Verwijder geen grote hoeveelheden in een keer uit de diepvriezer.

5.29. Aanbevelingen voor het opslaan van ingevroren etenswaren

Het compartiment moet op minimum -18°C worden ingesteld.

1. Plaats de etenswaren zo snel mogelijk in de diepvriezer om ontdooien te vermijden.
2. Voor u invriest, moet u de "Ten minste houdbaar tot" datum op de verpakking om zeker te zijn dat ze niet verstreken zijn.
3. Zorg ervoor dat de verpakking van de etenswaren niet beschadigd is.

Vriesvak temperatuurinstelling	Koelvak temperatuurinstelling	Details
-18°C	4°C	Dit is de standaard, aanbevolen instelling.
-20,-22 of -24°C	4°C	Deze instellingen worden aanbevolen bij omgevingstemperaturen van hoger dan 30°C.
Snel invriezen	4°C	Gebruik deze functie wanneer u etenswaren op korte tijd wilt invriezen. Wanneer het proces eindigt, keert het product terug naar de vorige stand.
-18°C of kouder	2°C	Gebruik deze instellingen als u vindt dat het koelvak niet koud genoeg is omwille van de omgevingstemperatuur of het regelmatig openen van de deur.

Het gebruik van het product

5.30. Informatie over de diepvriezer

Conform de IEC 62552 normen moet de diepvriezer 4,5 kg etenswaren kunnen invriezen bij -18°C of lagere temperaturen in 24 uur voor iedere 100 liter vriesvak volume.

Etenswaren kunnen enkel gedurende langere perioden worden bewaard bij een temperatuur van -18°C of lager.

U kunt etenswaren maanden lang vers houden (in de diepvriezer bij een temperatuur van 18°C of lager). De in te vriezen etenswaren mogen niet in contact komen met reeds ingevroren etenswaren om gedeeltelijk ontdooien te vermijden.

Kook de groenten en filter het water om de ingevroren bewaartijd te verlengen. Plaats de etenswaren in luchtdichte verpakkingen na het filteren en plaats ze in het vriesvak. Bananen, tomaten, sla, selderie, gekookte eieren, aardappelen en gelijkaardige etenswaren mogen nooit worden ingevroren. Als de etenswaren bederven, worden enkel de voedingswaarden en de kwaliteit negatief beïnvloed. Bederving die de gezondheid in gevaar brengt is niet aan de orde.

5.31. De etenswaren plaatsen

Diepvriezer deurvakken	Uiteenlopende ingevroren etenswaren zoals vlees, vis, ijscrème, groenten, etc.
Koelvak deurvakken	Etenswaren in potten, afgedekte platen en containers, eieren (in een afgedekte container)
Koelvak deurvakken	Kleine en verpakte etenswaren of dranken
Groentevak	Fruit en groenten
Verse etenswaren compartiment	Delicatessen (ontbijt etenswaren, vleesproducten die op korte termijn worden verbruikt)

5.32. Deur open alarm

(Optioneel)

Een hoorbaar alarm weerklinkt als de deur van het product langer dan 1 minuut open blijft. Het hoorbare alarm stopt wanneer de deur wordt gesloten of wanneer een knop op het scherm (indien beschikbaar) wordt ingedrukt.

Het deur open alarm wordt aangegeven aan de gebruiker met een hoorbaar en zichtbaar signaal. De interne verlichting schakelt uit als de waarschuwing 10 minuten aanhoudt.

5.33. De openingsrichting van de deur wijzigen.

U kunt de openingsrichting van de deur van uw koelkast omkeren naargelang de locatie waar u ze wilt gebruiken. Raadpleeg hiervoor uw dichtstbijzijnde Geautoriseerde service.

De bovenstaande verklaring is een algemene verklaring. U moet de waarschuwing op de binnenzijde van de verpakking van het pakket controleren met betrekking tot de omkering van de deur.

5.34. Interne verlichting

De interne verlichting gebruikt een LED-type lamp. Neem contact op met de geautoriseerde dienst als er problemen zijn met deze lamp.

De lamp(en) in dit apparaat mogen niet worden gebruikt voor de verlichting van uw huis. Het beoogde gebruik van deze lamp is de gebruiker te helpen etenswaren veilig en comfortabel in de koelkast/diepvriezer te plaatsen.

De levensduur van het product wordt verlengd en vaak voorkomende problemen zullen verminderen als het product regelmatig wordt gereinigd.

	WAARSCHUWING: Schakel het product uit voor de reiniging.
	WAARSCHUWING: Het is aanbevolen de condensator elke zes maanden te reinigen met handschoenen. U mag geen stofzuiger gebruiken.

- Gebruik geen benzine, benzene of gelijkaardige stoffen om te reinigen.
- Gebruik nooit scherpe instrumenten, zeep, huishoudelijke reinigingsmiddelen, oplosmiddel of was voor het reinigen.
- Los een theelepeltje koolzuurzout op in een halve liter water. Dompel een doek in de oplossing en wring de doek goed uit. Wrijf de binnenzijde van de koelkast af met deze doek en droog grondig.
- Zorg ervoor dat er geen water in de behuizing van de lamp of andere elektrische onderdelen doordringt.
- Als u de koelkast niet zult gebruiken gedurende een lange periode moet u de stekker verwijderen, alle voedingsmiddelen verwijderen, de koelkast reinigen en de deur op een kier laten.
- Controleer regelmatig of de pakkingen schoon zijn. Zo niet moet u ze reinigen.
- Verwijder alle items uit het product om de deur en de laden te verwijderen.
- Verwijder de laden uit de deur door ze omhoog te trekken. Schuif de laden omlaag en breng ze opnieuw aan na de reiniging.
- Gebruik geen chloorhoudende middelen of water om de externe oppervlakken of verchroomde onderdelen te reinigen van het product. Chloor veroorzaakt een schurende werking op dergelijke metalen oppervlakken.
- Met betrekking tot geen-No Frost producten druppelt water en vorst op de achterwand van het koelvak. Reinig dit niet; breng olie of een gelijkaardig middel aan.

- Gebruik enkel licht vochtige microvezel doeken om de buitenzijde van het product te reinigen. Sponzen en andere soorten reinigingsdoeken kunnen het oppervlak krassen.

6.1. Onaangename geurtjes vermijden

Er wordt geen materiaal dat geurtjes kan veroorzaken gebruikt in de productie van onze koelkasten. Hoewel, deze geurtjes kunnen worden afgegeven van voedingsmiddelen die op incorrecte wijze worden bewaard of als het interne oppervlak van het product niet is gereinigd zoals vereist. Neem het volgende in overweging om dit probleem te voorkomen:

- Het is belangrijk dat de koelkast schoon wordt gehouden. Voedselresten, vlekken, etc. kunnen geurtjes veroorzaken. Om die reden moet u uw koelkast elke 15 dagen reinigen met carbonaat in water. Gebruik nooit oplosmiddelen of zeep.
- Bewaar uw etenswaren in gesloten containers. Micro-organismen van de containers zonder een deksel kunnen onaangename geurtjes veroorzaken.
- Bewaar nooit vervallen of bedorven etenswaren in uw koelkast.

6.2. Bescherming van plastic oppervlakken.

Plaats geen vloeibare oliën of olie-bereide maaltijden in uw koelkast in containers zonder deksel want deze beschadigen de plastic oppervlakken van uw koelkast. Als er olie wordt gemorst of gesmeerd op de plastic oppervlakken moet u het relevante onderdeel van het oppervlak onmiddellijk reinigen en spoelen met warm water.

6.3. De binnenzijde reinigen

Was de interne oppervlakken en alle verwijderbare onderdelen met een zachte oplossing van zeep, water en carbonaat. Grondig spoelen en drogen. Zorg ervoor dat er geen water in contact komt met de verlichting en het bedieningspaneel.

	OPGELET: Gebruik geen azijn, ontsmettingsalcohol of andere alcohol-gebaseerde middelen op de interne oppervlakken.
---	--

6.4. Roestvrij stalen externe oppervlakten

Gebruik een roestvrij stalen reinigingsmiddel die niet schuurt en breng het aan met een pluisvrije, zachte doek. Om het oppervlak te polijsten, wrijft u zacht met een vochtige microvezel doek en gebruikt u een droog leren zeem. Volg altijd de richting van het roestvrij staal.

6.5. Reinigingsproducten glazen deuren

Verwijder de beschermende folie van het glas.

Er is een coating aangebracht op het glas. Deze coating vermindert het vormen van vlekken en zorgt ervoor dat vlekken en vuil gemakkelijk kunnen worden gereinigd.

Glas dat niet wordt beschermd met een coating kan worden blootgesteld aan permanente verbindingen van organische of anorganische, lucht- of watergedragen verontreinigingen zoals kalk, minerale zouten, niet verbrande koolwaterstoffen, metaaloxiden en silocone die leiden tot vlekken en fysieke schade op korte tijd. Ondanks regelmatige reinigingen is het mogelijk het glas te reinigen, hoewel niet onmogelijk. Als resultaat vermindert de helderheid en het mooie uiterlijk van het glas. Harde en schurende samenstellingen en methoden verhogen deze defecten nog meer en versnellen de aantasting.

*Niet-alkalische, niet-schurende en watergebaseerde reinigingsproducten moeten worden gebruikt voor de uitvoering van reinigingsprocedures.

Om de levensduur van de coating te verlengen, mogen geen alkalische of schurende stoffen worden gebruikt tijdens de reiniging.

Deze glazen oppervlakken zijn onderhevig aan een hardingsproces om hun weerstand tegen impact en glasbreuk te verbeteren.

Als bijkomende veiligheidsmaatregel is er een veiligheidsfolie aangebracht op de achterzijde van het glas om zeker te zijn dat de omgeving niet wordt beschadigd als het breekt

Controleer deze lijst voor u de dienst belt. Dit kan u zowel tijd als geld besparen. Deze lijst bevat vaak voorkomende problemen die niet het resultaat zijn van defect vakmanschap of gebruik van materiaal. Het is mogelijk dat uw apparaat bepaalde functies niet bevat die hier beschreven worden.

De koelkast werkt niet.

- De stekker is mogelijk niet correct ingevoerd. >>>Voer de stekker correct in.
- De zekering van het stopcontact waarop uw koelkast is aangesloten of de hoofdzekering is mogelijk gesprongen. >>>Controleer de zekering.

Condensatie op de zijwand van het koelvak (MULTI ZONE, COOL CONTROL en FLEXI ZONE).

- De deur is mogelijk regelmatig geopend/gesloten. >>>Open de deur van de koelkast niet te vaak.
- De omgeving is mogelijk te vochtig. >>>Installeer de koelkast niet in een ruimte met een hoge vochtigheidsgraad.
- Er zijn mogelijk voedingsmiddelen met vloeistof in de koelkast geplaatst in containers zonder deksel. >>>Plaats geen voedingsmiddelen met vloeistof in de koelkast in containers zonder deksel.
- De deur van de koelkast is mogelijk op een kier gelaten. >>>Laat de deuren van uw koelkast niet langdurig open staan.
- De thermostaat is mogelijk ingesteld op een heel koud niveau. >>>Stel de thermostaat in op een gepast niveau.

De compressor werkt niet.

- De thermische bescherming van de compressor kan springen tijdens plotse stroomuitvalven of er kan een plug-out plug-in optreden als de druk van het koelmiddel in het koelsysteem niet in evenwicht is. De koelkast begint te werken na ca. 6 minuten. Neem contact op met de Geautoriseerde leverancier als de koelkast niet start aan het einde van deze periode.
- De diepvriezer in in de ontdooicyclus geschakeld. >>>Dit is normaal voor een koelkast die een volautomatische ontdoing uitvoert. De ontdooicyclus wordt periodiek uitgevoerd.
- De stekker van de koelkast is mogelijk niet in het stopcontact gevoerd. >>>Zorg ervoor dat de stekker correct in het stopcontact zit.
- De temperatuurinstellingen zijn mogelijk incorrect. >>>Selecteer de correcte temperatuurwaarde.
- Mogelijke stroomuitval. >>>De koelkast begint normaal te werken wanneer de stroom hervat.

Het lawaai tijdens de werking is luider wanneer de koelkast werkt.

- De prestaties van de koelkast kunnen variëren naargelang de omgevingstemperatuur wijzigt. Dit is normaal en is geen defect.

De koelkast schakelt regelmatig of langdurig in.

- Uw nieuwe product is mogelijk groter dan uw vorige. Grotere koelkasten werken langer.
- De temperatuur in de ruimte kan hoog zijn. >>> Het is normaal dat het product langer werkt in warme omgevingen.
- De stekker van de koelkast is mogelijk net ingevoerd of de koelkast is mogelijk net geladen met voedingsmiddelen. >>>Het duurt langer voor het product om de ingestelde temperatuur te bereiken als de stekker net is ingevoerd of het net is geladen met voedingsmiddelen. Dit is normaal.
- Er zijn onlangs mogelijk grote hoeveelheden warme voedingsmiddelen in koelkast geplaatst. >>>Plaats geen warme etenswaren in de koelkast.
- De deuren worden mogelijk vaak geopend of langdurig op een kier gelaten. >>>De warme lucht die in de koelkast stroomt, doet de koelkast langer werken. Open de deur van de koelkast niet te vaak.
- De deur van het vries- of koelvak is mogelijk op een kier gelaten. >>> Controleer of de deuren volledig zijn gesloten.
- Het apparaat is mogelijk ingesteld op een heel lage temperatuur. >>> Stel een hogere temperatuur in in de koelkast en wacht tot het product deze temperatuur bereikt.
- De deurafdichting van het koel- of vriesvak is mogelijk vuil, versleten, stuk of niet correct aangebracht. >>> Reinig of vervang de afdichting. Beschadigde/defecte afdichtingen resulteren in een langere werking van de koelkast om de huidige temperatuur te handhaven.

De temperatuur van de koelkast volstaat maar de temperatuur van de diepvriezer is heel laag.

- De temperatuur van het vriesvak is mogelijk ingesteld op een heel lage temperatuur. >>> Stel de temperatuur van het vriesvak hoger in en controleer.

De temperatuur van de diepvriezer volstaat maar de temperatuur van de koelkast is heel laag.

- De temperatuur van de koelkast is ingesteld op een lage waarde. >>> Stel de temperatuur van de koelkast hoger in en controleer.

Probleemoplossing

Voedingsmiddelen in de laden van het koelvak zijn bevroren.

- De temperatuur van het koelvak is mogelijk ingesteld op een heel hoge temperatuur. >>> Stel de temperatuur van het koelvak lager in en controleer.

De temperatuur in de koelkast of diepvriezer is heel hoog.

- De temperatuur van het koelvak is mogelijk ingesteld op een heel hoge temperatuur. >>> De temperatuurstelling van het koelvak heeft een effect op de temperatuur van de diepvriezer. Wijzig de temperatuur van het koel- of vriesvak tot de temperatuur van het koel- of vriesvak een toereikend niveau bereikt.
- De deuren worden mogelijk vaak geopend of langdurig op een kier gelaten. >>>Open de deur van de koelkast niet te vaak.
- De deur is mogelijk op een kier gelaten. >>>Sluit de deur volledig.
- De stekker van de koelkast is mogelijk net ingevoerd of de koelkast is mogelijk net geladen met voedingsmiddelen. >>>Dit is normaal.. Het duurt langer voor het product om de ingestelde temperatuur te bereiken als de stekker net is ingevoerd of het net is geladen met voedingsmiddelen.
- Er zijn onlangs mogelijk grote hoeveelheden warme voedingsmiddelen in koelkast geplaatst. >>>Plaats geen warme etenswaren in de koelkast.

Trillingen of lawaai.

- De vloer is mogelijk niet waterpas of stevig. >>>Als de koelkast schudt wanneer ze een beetje wordt verplaatst. Pas de toevoer aan om ze te balanceren. Zorg ervoor dat de vloer waterpas is en dat hij de koelkast kan dragen.
- Voorwerpen die op de koelkast worden geplaatst, kunnen lawaai maken. >>>Verwijder de voorwerpen op de koelkast.

Het geluid van spattend of verstuivende vloeistof komt uit de koelkast.

- De stroom van vloeistof en gas verloopt in overeenstemming met de operationele principes van de koelkast. >>>Dit is normaal en is geen defect.

Er is een fluitend lawaai van de koelkast.

- Er zijn ventilatoren die worden gebruikt om de koelkast te koelen. Dit is normaal en is geen defect.

Vocht accumuleert op de interne wanden van de koelkast.

- Warm en vochtig weer verhoogt ijsvorming en condensatie. Dit is normaal en is geen defect.
- De deuren worden mogelijk vaak geopend of langdurig op een kier gelaten. >>>Open de deur van de koelkast niet te vaak. Sluit de deur als deze open staat.
- De deur is mogelijk op een kier gelaten. >>>Sluit de deur volledig.

Er is vocht aanwezig op de buitenzijde van de koelkast of tussen de deuren.

- De lucht is mogelijk vochtig. Dit is normaal bij vochtig weer. >>>Condensatie verschijnt wanneer de vochtigheidsgraad stijgt.
- Er is mogelijke externe condensatie op de sectie tussen beide deuren van de koelkast als u uw product zelden gebruikt. Dit is normaal. De condensatie verdwijnt na regelmatig gebruik.

Er is een onaangename geur in de koelkast.

- De koelkast wordt niet regelmatig gereinigd. Reinig de binnenzijde van de koelkast met een spons, lauwwater of koolzuurhoudend water.
- Sommige containers of verpakkingsmaterialen kunnen deze geur veroorzaken. >>>Gebruik een andere container of verpakkingsmateriaal van een ander merk.
- Voedingsmiddelen die in de koelkast zijn geplaatst in containers zonder deksel. >>>Bewaar de etenswaren in gesloten containers. Micro-organismen van de containers zonder een deksel kunnen onaangename geurtjes veroorzaken.
- Verwijder de vervallen of bedorven voedingsmiddelen uit de koelkast.

De deur kan niet worden gesloten.

- Voedselverpakking kan het sluiten van de deur beletten. >>> Verplaats de verpakkingen die de deur blokkeren.
- De koelkast staat mogelijk niet stabiel op de vloer. >>>Pas de voeten van de koelkast aan tot de koelkast in balans staat.
- De vloer is mogelijk niet waterpas of stevig. >>>Zorg ervoor dat de vloer waterpas is en dat hij de koelkast kan dragen.

De crispers zitten vast.

- Het is mogelijk dat voedingsmiddelen de bovenzijde van de crisper aanraken. >>>Herschik de voedingsmiddelen in de crisper.

Probleemoplossing

Als het oppervlak van het product warm is.

Hoge temperaturen kunnen worden vastgesteld tussen beide deuren, op de zijpanelen en op het rooster achteraan terwijl het product is ingeschakeld. Dit is normaal en vereist geen interventie van het onderhoudspersoneel!

De ventilator blijft draaien wanneer de deur is geopend.

De ventilator blijft mogelijk draaien terwijl de deur van de diepvriezer is geopend.



WAARSCHUWING: Als het probleem niet kunt oplossen hoewel u de instructies hebt gevolgd in dit hoofdstuk, kunt u uw verdeler of de geautoriseerde leverancier raadplegen. Probeer nooit zelf een defect product te repareren.

DISCLAIMER / WAARSCHUWING

Sommige (eenvoudige) defecten kunnen correct worden behandeld door de eindgebruiker zonder dat dit aanleiding geeft tot veiligheidsproblemen of een onveilig gebruik, op voorwaarde dat ze worden uitgevoerd binnen de limieten en in overeenstemming met de volgende instructies (zie het hoofdstuk "Zelf-reparatie").

Om die reden, tenzij anderzijds toegelaten in het onderstaande hoofdstuk "Zelf-reparatie", moeten reparaties worden uitgevoerd door geregistreerde professionele monteurs om veiligheidsproblemen te voorkomen. Een geregistreerde professionele monteur is een professionele monteur die toegang heeft gekregen tot de instructies en de lijst met reserveonderdelen van dit product door de fabrikant, in overeenstemming met de methoden beschreven in wetsbesluiten in overeenstemming met Richtlijn 2009/125/EC.

Hoewel, de onderhouds- en reparatiewerken in het kader van de garantievoorwaarden mogen uitsluitend worden uitgevoerd door de gespecialiseerd vertegenwoordiger (m.a.w. geautoriseerde professionele monteurs) die u kunt bereiken via het telefoonnummer vermeld in de gebruikshandleiding/garantiekartaal of via uw geautoriseerde verdeler. Om die reden zullen reparaties die worden uitgevoerd door professionele monteurs (die niet zijn geautoriseerd door Beko) de garantie nietig verklaren.

Zelf-reparatie

De eindgebruiker kan de volgende reserveonderdelen zelf repareren: deur handgrepen, deur scharnieren, laden, manden en deuropakkingen (een bijgewerkte lijst is ook beschikbaar op support.beko.com op 1 maart 2021).

Bovendien, om de veiligheid van het product te garanderen en het risico van ernstig letsel te voorkomen, moet de vermelde zelf-reparatie worden uitgevoerd in overeenstemming met de instructies in de handleiding voor zelf-reparatie of die beschikbaar is in support.beko.com. Uit veiligheidsoverwegingen moet u de stekker van het product loskoppelen voor u een zelf-reparatie probeert uit te voeren.

Reparaties en pogingen tot reparatie door eindgebruikers van onderdelen die niet zijn omvat in deze lijst en/of waarbij de instructies in de handleiding voor zelf-reparatie of die beschikbaar zijn in support.beko.com niet worden nageleefd, kunnen resulteren in veiligheidsproblemen die niet kunnen worden toegewezen aan Beko Beko en deze zullen de garantie van het product nietig verklaren.

Om die reden raden wij ten stelligste af dat eindgebruikers op eigen houtje reparaties proberen uit te voeren die buiten de vermelde lijst van reserveonderdelen vallen en in dergelijke situaties beroep doen op een geautoriseerde professionele monteur of geregistreerde professionele monteurs. Dergelijke pogingen van eindgebruikers kunnen daarentegen veiligheidsproblemen en schade aan het product veroorzaken en resulteren in brand, overstromingen, elektrische schokken en ernstig persoonlijk letsel.

Als voorbeeld, maar niet beperkt tot, de volgende reparaties moeten worden uitgevoerd door geautoriseerde professionele servicemonteurs of geregistreerde professionele monteurs: compressor, koelcircuit, moederbord, omzetter bord, weergavebord, etc.

De fabrikant/verkoper kan niet aansprakelijk worden gesteld wanneer eindgebruikers de bovenstaande instructies niet naleven.

De beschikbaarheid van de reserveonderdelen van de koelkast die u hebt gekocht is 10 jaar. Tijdens deze periode zijn de originele reserveonderdelen beschikbaar voor de correcte werking van uw koelkast.

De minimale duur van de garantie van de koelkast die u hebt gekocht, is 24 maanden.

Dit product is uitgerust met een lichtbron van de "G"-energieklasse.

De lichtbron in dit product mag enkel worden vervangen door professionele reparateurs.

Διαβάστε αυτό το εγχειρίδιο πριν χρησιμοποιήσετε το προϊόν!

Αξιότιμε πελάτη μας,





Ευχόμεσαστε να έχετε τα καλύτερα αποτελέσματα από το προϊόν αυτό το οποίο έχει παραχθεί με μεγάλη επιμέλεια σε μοντέρνα εργοστάσια, και έχει δοκιμαστεί με λεπτομερείς ελέγχους ποιότητας.






Για το λόγο αυτό, συνιστούμε να διαβάσετε πλήρως αυτό το εγχειρίδιο χρήσης πριν θέσετε σε λειτουργία το προϊόν. Αν παραδώσετε το προϊόν σε κάποιον άλλον, θυμηθείτε να παραδώσετε και το εγχειρίδιο χρήσης.

Αυτό το εγχειρίδιο θα σας βοηθήσει να χρησιμοποιείτε τη συσκευή σας με γρήγορο και ασφαλή τρόπο.

- Διαβάστε προσεκτικά αυτό το εγχειρίδιο χρήσης πριν την εγκατάσταση και τη χρήση του προϊόντος.
- Πάντα να ακολουθείτε τις εφαρμόσιμες οδηγίες ασφαλείας.
- Φυλάξτε το εγχειρίδιο χρήσης σε μέρος όπου θα είναι εύκολα προσπελάσιμο για μελλοντική χρήση.
- Διαβάστε όλα τα άλλα έγγραφα που παρέχονται με το προϊόν.

Παρακαλούμε να έχετε υπόψη σας ότι αυτό το εγχειρίδιο μπορεί να έχει εφαρμογή σε περισσότερα από ένα μοντέλα του προϊόντος. Αυτό το εγχειρίδιο, αναφέρει με σαφήνεια τις διαφορές ανάμεσα στα διάφορα μοντέλα.

	Σημαντικές πληροφορίες και χρήσιμες υποδείξεις.
	Κίνδυνος τραυματισμού και υλικών ζημιών.
	Κίνδυνος ηλεκτροπληξίας.
	Τα υλικά συσκευασίας αυτού του προϊόντος έχουν παρασκευαστεί από ανακυκλώσιμα υλικά σύμφωνα με τους εθνικούς κανονισμούς περιβάλλοντος.

	ΠΛΗΡΟΦΟΡΙΕΣ
	
SUPPLIER'S NAME	MODEL IDENTIFIER (*)
	
Η πρόσβαση στις πληροφορίες για το μοντέλο όπως είναι αποθηκευμένες στη βάση δεδομένων για τα προϊόντα είναι εφικτή με την είσοδο στον παρακάτω ιστότοπο και την αναζήτηση για το αναγνωριστικό του μοντέλου (*) της συσκευής σας που αναφέρεται στην ετικέτα ενεργειακής σήμανσης.	
https://eprel.ec.europa.eu/	





1	Σημαντικές οδηγίες σχετικά με την ασφάλεια και το περιβάλλον	3	5.11. Παγοθήκη	29	
1.1.	Γενικά για την ασφάλεια	3	5.12. Θήκη αυγών	29	
1.1.1	Προειδοποίηση για υδρογονάνθρακες (HC)	6	5.13. Ανεμιστήρας	29	
1.1.2	Για προϊόντα με διανομέα νερού/μηχανή παρασκευής πάγου	6	5.14. Συρτάρι λαχανικών	29	
1.2.	Προβλεπόμενη χρήση	7	5.15. Διαμέρισμα μηδέν βαθμών	29	
1.3.	Ασφάλεια παιδιών	7	5.16. Χρήση του δεύτερου συρταριού λαχανικών του προϊόντος:	30	
1.4.	Συμμόρφωση με την Οδηγία περί αποβλήτων ηλεκτρικού και ηλεκτρονικού εξοπλισμού (ΑΗΕΕ) και απόρριψη του προϊόντος στο τέλος της ωφέλιμης ζωής του:	8	5.17. Κινητό ράφι πόρτας	31	
1.5.	Συμμόρφωση με την Οδηγία RoHS:	8	5.18. Συρόμενο κουτί φύλαξης	31	
1.6.	Πληροφορίες για τη συσκευασία.	8	5.19. Μονάδα απόσμησης	31	
2	Το Ψυγείο σας	9	5.20. Ελεγχόμενης υγρασίας συρτάρι λαχανικών	32	
3	Εγκατάσταση	10	5.21. Αυτόματη μηχανή παρασκευής πάγου	33	
3.1.	Σωστή θέση εγκατάστασης	10	5.22. Icematic και δοχείο φύλαξης πάγου	33	
3.2.	Τοποθέτηση των πλαστικών αποστατών	10	5.23. Χρήση του διανομέα νερού	34	
3.3.	Ρύθμιση των ποδιών	10	5.24. Γέμισμα του δοχείου του διανομέα νερού	34	
3.4.	Σύνδεση ρεύματος	11	5.25. Καθαρισμός του δοχείου νερού	35	
3.5.	Αντιστροφή της φοράς ανοίγματος των θυρών	12	5.26. Δίσκος συλλογής σταγόνων	35	
3.6.	Αντιστροφή της φοράς ανοίγματος των θυρών	13	5.27. Γέμισμα του δοχείου του διανομέα νερού	36	
4	Προετοιμασία	14	5.28. Κατάψυξη νωπών τροφίμων	37	
4.1.	Τι να κάνετε για εξοικονόμηση ενέργειας	14	5.29. Υποδείξεις για τη φύλαξη κατεψυγμένων τροφίμων	38	
4.2.	Πρώτη χρήση	15	5.30. Λεπτομέρειες για τη βαθιά κατάψυξη.	38	
5	Χρήση του προϊόντος	16	5.31. Τοποθέτηση των τροφίμων	38	
5.1.	Κουμπί ρύθμισης θερμοκρασίας.	16	5.32. Ειδοποίηση ανοικτής πόρτας της συσκευής	39	
5.2.	Ταχεία κατάψυξη	16	5.33. Αλλαγή της κατεύθυνσης ανοίγματος της πόρτας της συσκευής	39	
5.3.	Λειτουργία διακοπών	17	5.34. Εσωτερικό φως	39	
5.4.	Κουμπί ρύθμισης θερμοστάτη	18	5.35. HerbBox/HerbFresh	39	
5.5.	Κουμπί ρύθμισης θερμοστάτη	18	6	Φροντίδα και καθαρισμός	40
5.6.	Απόψυξη	19	6.1.	Αποφεύγετε τις δυσάρεστες οσμές	40
5.7.	Πίνακας ενδείξεων.	20	6.2.	Προστασία των πλαστικών επιφανειών	41
5.8.	Πίνακας ενδείξεων.	21	6.3.	Καθαρισμός της εσωτερικής επιφάνειας	41
5.9.	Πίνακας ενδείξεων.	23	6.4.	Εξωτερικές επιφάνειες από ανοξειδωτο χάλυβα	41
5.10.	Πίνακας ενδείξεων	26	6.5.	Προϊόντα καθαρισμού με γυάλινες πόρτες	41
			6	Φροντίδα και καθαρισμός	41
			7	Αντιμετώπιση προβλημάτων	42

1 Σημαντικές οδηγίες σχετικά με την ασφάλεια και το

περιβάλλον

Αυτό το κεφάλαιο περιέχει πληροφορίες ασφαλείας που θα σας βοηθήσουν να αποφύγετε τον κίνδυνο τραυματισμού ή υλικών ζημιών. Η μη τήρηση αυτών των οδηγιών θα καταστήσει άκυρη κάθε εγγύηση για το προϊόν αυτό.

Προβλεπόμενη χρήση

	ΠΡΟΕΙΔΟΠΟΙΗΣΗ: Διατηρείτε ελεύθερα από περιορισμούς τα ανοίγματα εξαερισμού στο περίβλημα της συσκευής ή στην κατασκευή εντοιχισμού.
	ΠΡΟΕΙΔΟΠΟΙΗΣΗ: Μη χρησιμοποιείτε μηχανικές διατάξεις ή άλλα μέσα για να επιταχύνετε τη διαδικασία της απόψυξης, εκτός από αυτά που συνιστά ο κατασκευαστής.
	ΠΡΟΕΙΔΟΠΟΙΗΣΗ: Μην προξενήσετε ζημιά στο ψυκτικό κύκλωμα.
	ΠΡΟΕΙΔΟΠΟΙΗΣΗ: Μη χρησιμοποιείτε ηλεκτρικές συσκευές μέσα στους θαλάμους φύλαξης τροφίμων της συσκευής, εκτός αν αυτές είναι του τύπου που συνιστά ο κατασκευαστής.

Αυτή η συσκευή προορίζεται για οικιακή χρήση και παρόμοιες εφαρμογές, όπως

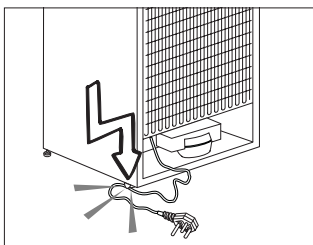
- περιοχές κουζίνας προσωπικού για καταστήματα, γραφεία και άλλα περιβάλλοντα εργασίας,
- αγροτικά σπίτια και από πελάτες σε ξενοδοχεία, μοτέλ και άλλα περιβάλλοντα οικιακού τύπου,
- περιβάλλοντα τύπου ενοικιαζόμενων δωματίων με πρωινό,
- κέτερινγκ και άλλες εφαρμογές μη λιανικής πώλησης.

1.1. Γενικά για την ασφάλεια

- Άτομα με σωματικές, αισθητηριακές ή διανοητικές δυσκολίες, άτομα χωρίς εμπειρία και γνώσεις, καθώς και παιδιά δεν πρέπει να πλησιάζουν τη συσκευή, ούτε να εισέρχονται ή να παίζουν με το προϊόν.
- Η μη τήρηση των οδηγιών και η ανεξέλεγκτη χρήση του προϊόντος προκαλούν επικίνδυνα αποτελέσματα!
- Αποσυνδέστε το προϊόν από την πρίζα αν προκύψει βλάβη κατά τη χρήση.
- Σε περίπτωση δυσλειτουργίας του προϊόντος, πρέπει να σταματήσετε τη χρήση του μέχρι να επισκευαστεί από εξουσιοδοτημένο πάροχο σέρβις. Κίνδυνος ηλεκτροπληξίας!

Οδηγίες για την ασφάλεια και το περιβάλλον

- Συνδέστε το προϊόν σε γειωμένη πρίζα που προστατεύετε από ασφάλεια η οποία αντιστοιχεί στην τιμή στην πινακίδα στοιχείων του προϊόντος. Αναθέστε σε εξειδικευμένο ηλεκτρολόγο να γειώσει το προϊόν. Η εταιρεία μας δεν μπορεί να θεωρηθεί υπεύθυνη για ζημιές που προκύπτουν από τη μη χρήση του προϊόντος με πρίζα που είναι γειωμένη σύμφωνα με τους τοπικούς κανονισμούς.
- Αποσυνδέετε το προϊόν από την πρίζα όταν δεν χρησιμοποιείται.
- Ποτέ μην πλένετε το προϊόν απλώνοντας ή χύνοντας νερό πάνω του! Κίνδυνος ηλεκτροπληξίας!
- Ποτέ μην αγγίζετε το φισ ρευματοληψίας με υγρά χέρια!
- Ποτέ μην αποσυνδέετε το προϊόν τραβώντας το καλώδιο. Πάντα να τραβάτε το φισ κρατώντας την πρίζα.



- Μην συνδέετε το ψυγείο στην πρίζα αν η πρίζα είναι λασκαρισμένη.
 - Ποτέ μη συνδέετε το ψυγείο αυτό σε συσκευές εξοικονόμησης ενέργειας.
- Αυτού του είδους τα συστήματα είναι επιβλαβή για το προϊόν.
- Αποσυνδέετε το προϊόν κατά τις διαδικασίες εγκατάστασης, φροντίδας, καθαρισμού και επισκευής.
 - Πάντα να αναθέτετε σε Εξουσιοδοτημένο Πάροχο Σέρβις την εγκατάσταση του προϊόντος και να πραγματοποιεί τις ηλεκτρικές συνδέσεις του. Ο κατασκευαστής δεν μπορεί να θεωρηθεί υπεύθυνος για ζημιές που προκλήθηκαν από διαδικασίες που εκτελέστηκαν από μη εξουσιοδοτημένα άτομα.
 - Μην καταναλώνετε παγωτό ή παγοκύβους αμέσως μετά την αφαίρεσή τους από την κατάψυξη! Αυτό μπορεί να προκαλέσει κρουοπαγήματα στο στόμα σας!
 - Μην αγγίζετε κατεψυγμένα τρόφιμα με υγρά χέρια! Μπορεί να κολλήσουν στα χέρια σας!
 - Μην τοποθετείτε στο θάλαμο κατάψυξης ποτά ή αναψυκτικά σε μπουκάλια ή μεταλλικά κουτιά. Μπορεί τα δοχεία αυτά να σκάσουν!
 - Ποτέ μη χρησιμοποιείτε ατμό ή ατμοκαθαριστές για τον καθαρισμό ή την απόψυξη του ψυγείου. Ο ατμός έρχεται σε επαφή με ηλεκτροφόρα μέρη μέσα στο ψυγείο σας, προκαλώντας βραχυκύκλωμα ή ηλεκτροπληξία!

Οδηγίες για την ασφάλεια και το περιβάλλον





- Μη χρησιμοποιείτε μηχανικές διατάξεις ή άλλα μέσα για να επιταχύνετε τη διαδικασία της απόψυξης, εκτός από αυτά που συνιστά ο κατασκευαστής.
- Ποτέ μη χρησιμοποιείτε μέρη του ψυγείου σας όπως η πόρτα και το συρτάρι ως μέσο στήριξης ή ως σκαλοπάτι. Αυτό μπορεί να προκαλέσει ανατροπή του προϊόντος ή ζημιά στα μέρη του.
- Μην προξενήσετε ζημιά με εργαλεία διάτρησης ή κοπής στα μέρη της συσκευής όπου κυκλοφορεί το ψυκτικό μέσο. Το ψυκτικό μέσο που μπορεί να εκτιναχθεί αν τρυπήσουν οι δίοδοι αερίου του εξατμιστήρα, οι επεκτάσεις σωλήνων ή οι επιφανειακές επικαλύψεις, μπορεί να προκαλέσει ερεθισμό στο δέρμα και τραυματισμό στα μάτια.
- Μην καλύπτετε και μην φράσετε με οποιοδήποτε αντικείμενο τα ανοίγματα αερισμού του ψυγείου σας.
- Τοποθετείτε τα ποτά που έχουν σχετικά μεγάλη περιεκτικότητα σε οινόπνευμα σφικτά κλεισμένα και σε όρθια θέση.
- Μη χρησιμοποιείτε σπρέι που περιέχουν αέριο κοντά στο προϊόν, επειδή υπάρχει κίνδυνος φωτιά ή έκρηξης!
- Τα εύφλεκτα είδη ή προϊόντα που περιέχουν εύφλεκτα αέρια (π.χ. τα σπρέι) καθώς και εκρηκτικά υλικά δεν πρέπει ποτέ να φυλάσσονται στη συσκευή.
- Μην τοποθετείτε πάνω στο προϊόν δοχεία που περιέχουν υγρά. Τυχόν πιτσίλισμα νερού πάνω σε ηλεκτρικό εξάρτημα μπορεί να προκαλέσει ηλεκτροπληξία ή κίνδυνο φωτιάς.
- Μη φυλάσσετε μέσα στο ψυγείο είδη που χρειάζονται ακριβή ρύθμιση της θερμοκρασίας (όπως εμβόλια, φάρμακα ευαίσθητα στη θερμοκρασία, επιστημονικά υλικά κλπ.).
- Αν δεν πρόκειται να χρησιμοποιήσετε το προϊόν για μεγάλο διάστημα, αποσυνδέστε το από την πρίζα και αφαιρέστε τα τρόφιμα από το εσωτερικό του.
- Αν το ψυγείο διαθέτει μπλε φως, μην κοιτάζετε αυτό το φως με οπτικά εργαλεία.
- Η έκθεση του προϊόντος σε βροχή, χιόνι, ήλιο ή άνεμο είναι επικίνδυνο από άποψη ηλεκτρικής ασφάλειας.
- Σε προϊόντα με μηχανικό έλεγχο (θερμοστάτη), περιμένετε 5 λεπτά για να

Οδηγίες για την ασφάλεια και το περιβάλλον

- συνδέσετε πάλι το προϊόν μετά την αποσύνδεση.
- Μην υπερφορτώνετε το ψυγείο. Αντικείμενα μέσα στο ψυγείο μπορεί να πέσουν όταν ανοιχτεί η πόρτα του, προκαλώντας τραυματισμό ή ζημιά. Παρόμοια προβλήματα μπορεί να προκύψουν αν τοποθετηθεί οποιοδήποτε αντικείμενο πάνω στο προϊόν.
 - Αν το προϊόν έχει λαβή πόρτας, μην τραβάτε το προϊόν από τη λαβή όταν το μετακινείτε. Η λαβή μπορεί να αποσπαστεί.
 - Προσέχετε να μη σφηνώσετε το χέρι σας ή οποιοδήποτε άλλο μέρος του σώματος στα κινούμενα μέρη του ψυγείου.
 - Μην τοποθετείτε το χέρι σας ή οποιαδήποτε ξένα υλικά μέσα στη μηχανή παρασκευής πάγου ενώ αυτή είναι σε λειτουργία.

1.1.1 Προειδοποίηση για υδρογονάνθρακες (HC)

- Αν το σύστημα ψύξης του προϊόντος περιέχει R600a: Αυτό το αέριο είναι εύφλεκτο. Επομένως, να προσέχετε να μην υποστούν ζημιά το σύστημα και οι σωληνώσεις ψύξης κατά τη χρήση και κατά τη μεταφορά. Αν υποστούν ζημιά, κρατήστε μακριά από το προϊόν πιθανές πηγές φωτιάς που θα μπορούσαν να το κάνουν να αναφλεγεί και αερίστε τον χώρο όπου είναι τοποθετημένο το προϊόν.

	Αν το προϊόν έχει υποστεί ζημιά και δείτε διαρροή αερίου, παραμείνετε μακριά από το αέριο. Μπορεί να προκαλέσει κρουπάγημα στην περιοχή επαφής του με το δέρμα. (περιλαμβανομένου του R134)
	Αγνοήστε αυτή την προειδοποίηση αν το σύστημα ψύξης του προϊόντος σας περιέχει R134a.
	Ο τύπος αερίου που χρησιμοποιείται στο προϊόν αναφέρεται στην πινακίδα τύπου η οποία βρίσκεται στο αριστερό τοίχωμα μέσα στο ψυγείο.
	ΠΡΟΕΙΔΟΠΟΙΗΣΗ: Ποτέ μην πετάξετε το προϊόν μέσα σε φωτιά όταν το απορρίπτετε.

1.1.2 Για προϊόντα με διανομέα νερού/μηχανή παρασκευής πάγου

- Η πίεση για την είσοδο κρύου νερού πρέπει να είναι το πολύ 90 psi (620 kPa). Αν η πίεση του νερού υπερβαίνει τα 80 psi (550 kPa), χρησιμοποιήστε μια βαλβίδα περιορισμού πίεσης στην παροχή νερού δικτύου σας. Αν δεν γνωρίζετε πώς να ελέγξετε την πίεση νερού, ζητήστε τη βοήθεια επαγγελματία υδραυλικού.

Οδηγίες για την ασφάλεια και το περιβάλλον

- Αν υπάρχει κίνδυνος φαινομένου υδραυλικού πλήγματος (απότομη μεταβολής πίεσης του νερού) στην εγκατάστασή σας, πάντα να χρησιμοποιείτε στην εγκατάσταση εξοπλισμό αποτροπής του υδραυλικού πλήγματος. Συμβουλευτείτε επαγγελματία υδραυλικό αν δεν είστε σίγουροι ότι δεν υπάρχει φαινόμενο υδραυλικού πλήγματος στην εγκατάστασή σας.
- Μην κάνετε εγκατάσταση στην είσοδο ζεστού νερού.
- Να χρησιμοποιείτε μόνο πόσιμο νερό.
- Λάβετε τα απαραίτητα μέτρα έναντι του κινδύνου παγώματος του νερού μέσα σε εύκαμπτους σωλήνες. Το εύρος θερμοκρασίας νερού λειτουργίας είναι 0,6 °C (33 °F) ελάχιστη και 38 °C (100 °F) μέγιστη.
- Πρέπει να χρησιμοποιείται μόνο για φύλαξη τροφίμων.
- Ο κατασκευαστής δεν θα αναλάβει καμία ευθύνη για ζημιές που θα προκύψουν από ακατάλληλη χρήση ή μεταφορά.
- Γνήσια ανταλλακτικά θα είναι διαθέσιμα για 10 έτη από την ημερομηνία αγοράς του προϊόντος.

1.3. Ασφάλεια παιδιών

- Αν υπάρχει κλειδαριά στην πόρτα του προϊόντος, το κλειδί θα πρέπει να φυλάσσεται μακριά από παιδιά.
- Μην επιτρέπετε σε παιδιά να παίζουν με το προϊόν.

ΠΡΟΕΙΔΟΠΟΙΗΣΗ:

Ποτέ μη συνδέσετε το προϊόν σε παροχή κρύου νερού με πίεση ίση ή μεγαλύτερη από 80 psi (550 kPa).



ΚΙΝΔΥΝΟΣ:

Πριν απορρίψετε το παλιό ψυγείο ή καταψύκτη σας:

- Μπορεί να κλειδωθούν παιδιά στο εσωτερικό του.
- Αφαιρέστε τις πόρτες της συσκευής.
- Αφήστε τα ράφια για να εμποδίζουν την εύκολη είσοδο παιδιών στο προϊόν.

1.2. Προβλεπόμενη χρήση

- Το προϊόν αυτό έχει σχεδιαστεί για οικιακή χρήση. Δεν είναι κατάλληλο για επαγγελματική χρήση και δεν πρέπει να χρησιμοποιηθεί εκτός της προβλεπόμενης χρήσης του.

Οδηγίες για την ασφάλεια και το περιβάλλον

1.4. Συμμόρφωση με την Οδηγία περί αποβλήτων ηλεκτρικού και ηλεκτρονικού εξοπλισμού (ΑΗΕΕ) και απορρίψη του προϊόντος στο τέλος της ωφέλιμης ζωής του:



Αυτό το προϊόν συμμορφώνεται με την οδηγία της ΕΕ περί αποβλήτων ηλεκτρικού και ηλεκτρονικού εξοπλισμού (ΑΗΕΕ) (2012/19/ΕΕ). Το προϊόν αυτό φέρει το σύμβολο ταξινόμησης για απόβλητα ηλεκτρικού και ηλεκτρονικού εξοπλισμού (ΑΗΕΕ). Το προϊόν αυτό έχει κατασκευαστεί από εξαρτήματα υψηλής ποιότητας και υλικά που μπορούν να επαναχρησιμοποιηθούν και είναι κατάλληλα για ανακύκλωση. Για το λόγο αυτό, μην πετάξετε το προϊόν μαζί με τα κοινά οικιακά απορρίμματα ή άλλα απόβλητα, στο τέλος της ωφέλιμης ζωής του. Παραδώστε το σε κέντρο συλλογής για την ανακύκλωση ηλεκτρικού και ηλεκτρονικού εξοπλισμού. Συμβουλευτείτε τις τοπικές σας αρχές για να μάθετε περισσότερα σχετικά με τις θέσεις τέτοιων κέντρων συλλογής.

1.5. Συμμόρφωση με την Οδηγία RoHS:

Η μονάδα που έχετε προμηθευτεί συμμορφώνεται με την Οδηγία RoHS της ΕΕ (2011/65/ΕΕ). Δεν περιέχει επιβλαβή ή απαγορευμένα υλικά που καθορίζονται στην Οδηγία.

1.6. Πληροφορίες για τη συσκευασία

- Τα υλικά συσκευασίας του προϊόντος έχουν κατασκευαστεί από ανακυκλώσιμα υλικά σύμφωνα με τους Εθνικούς μας Κανονισμούς Προστασίας του Περιβάλλοντος. Μην απορρίψετε τα υλικά συσκευασίας μαζί με τα κανονικά οικιακά ή άλλα απορρίμματα. Παραδώστε αυτά τα υλικά σε σημείο ανακύκλωσης που έχει καθοριστεί από τις τοπικές αρχές.

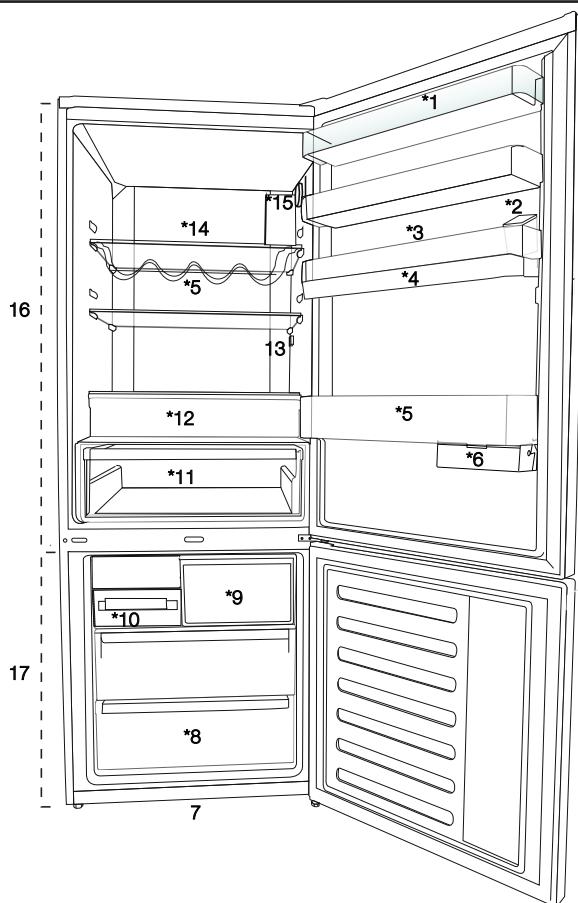
ΚΙΝΔΥΝΟΣ:

Κίνδυνος για πυρκαγιά ή έκρηξη:

- Αυτό το προϊόν χρησιμοποιεί εύφλεκτο ψυκτικό μέσο.
- Μη χρησιμοποιείτε μηχανικές συσκευές για να πραγματοποιήσετε απόψυξη στο ψυγείο.
- Μη χρησιμοποιείτε χημικά για τον καθαρισμό.
- Μην τρυπήσετε τον σωλήνα ψυκτικού μέσου.
- Αν τρυπήσει ο σωλήνας ψυκτικού μέσου, αυτός πρέπει να επισκευαστεί μόνο από προσωπικό σέρβις που κατέχει κατάλληλη άδεια.
- Συμβουλευτείτε το εγχειρίδιο επισκευής/χρήσης πριν καθαρίσετε το προϊόν. Πρέπει να τηρούνται όλες οι οδηγίες ασφαλείας.
- Απορρίψτε το προϊόν σύμφωνα με τους εθνικούς ή τοπικούς κανονισμούς.



2 Το Ψυγείο σας



1. Ράφι πόρτας θαλάμου συντήρησης
2. Δοχείο πλήρωσης διανομέα νερού
3. Θήκη αυτών
4. Ρεζερβουάρ διανομέα νερού
5. Ράφι μπουκαλιών
6. Συρόμενο κουτί φύλαξης
7. Ρυθμιζόμενα πόδια
8. Θάλαμος βαθιάς κατάψυξης
9. Θάλαμος ταχείας κατάψυξης
10. Θήκη για παγάκια & Χώρος φύλαξης για παγάκια
11. Συρτάρι λαχανικών
12. Διαμέρισμα μηδέν βαθμών
13. Εσωτερικό φως
14. Γυάλινο ράφι θαλάμου συντήρησης
15. Κουμπί ρύθμισης θερμοκρασίας
16. Θάλαμος συντήρησης
17. Θάλαμος κατάψυξης

Ενδέχεται να μη διατίθεται σε όλα τα μοντέλα



*προαιρετικός εξοπλισμός: Οι εικόνες που περιλαμβάνονται σε αυτό το εγχειρίδιο παρέχονται ως ενδεικτικές και ενδέχεται να μη συμφωνούν ακριβώς με το προϊόν που έχετε προμηθευτεί. Αν το προϊόν σας δεν περιλαμβάνει τα σχετικά εξαρτήματα, οι πληροφορίες αφορούν άλλα μοντέλα.

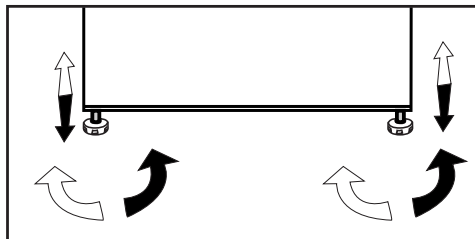
3.1. Σωστή θέση εγκατάστασης

Για την εγκατάσταση του προϊόντος, απευθυνθείτε στο Εξουσιοδοτημένο σέρβις. Για να ετοιμάσετε το προϊόν για εγκατάσταση, ανατρέξτε στις πληροφορίες των οδηγιών χρήσης και βεβαιωθείτε ότι οι παροχές ρεύματος και νερού είναι σύμφωνες με τις απαιτήσεις. Διαφορετικά, καλέστε ηλεκτρολόγο και/ή υδραυλικό για την απαιτούμενη προετοιμασία των παροχών.

⚠	ΠΡΟΕΙΔΟΠΟΙΗΣΗ: Ο κατασκευαστής δεν αποδέχεται καμία ευθύνη για οποιαδήποτε ζημία προκύψει από εργασίες που εκτελέστηκαν από μη εξουσιοδοτημένα άτομα.
⚠	ΠΡΟΕΙΔΟΠΟΙΗΣΗ: Το καλώδιο ρεύματος του προϊόντος πρέπει να είναι αποσυνδεδεμένο από την πρίζα κατά την εγκατάσταση. Σε αντίθετη περίπτωση, μπορεί να προκληθεί θάνατος ή σοβαροί τραυματισμοί!
⚠	ΠΡΟΕΙΔΟΠΟΙΗΣΗ: Αν το άνοιγμα της πόρτας του δωματίου είναι πολύ μικρό για να περάσει το προϊόν, αφαιρέστε την πόρτα και γυρίστε το προϊόν στο πλάι. Αν και αυτό δεν ωφελήσει, απευθυνθείτε στο εξουσιοδοτημένο σέρβις.

- Τοποθετήστε το προϊόν σε επίπεδη επιφάνεια, για να αποφύγετε κραδασμούς.
- Τοποθετήστε το προϊόν τουλάχιστον 30 cm μακριά από σόμπα, συσκευή κουζίνας και παρόμοιες πηγές θερμότητας και τουλάχιστον 5 cm από ηλεκτρικούς φούρνους.
- Μην εκθέτετε το προϊόν σε άμεση ηλιακή ακτινοβολία και μην το κρατάτε σε περιβάλλον με υγρασία.

- Το προϊόν χρειάζεται επαρκή κυκλοφορία αέρα για να λειτουργεί αποδοτικά.
- Αν το προϊόν πρόκειται να τοποθετηθεί μέσα σε εσοχή του τοίχου, θυμηθείτε να



αφήσετε απόσταση τουλάχιστον 5 cm ανάμεσα στο προϊόν και στην οροφή ή τα τοιχώματα.

- Μην εγκαταστήσετε το προϊόν σε περιβάλλον με θερμοκρασία κάτω από -5 °C.

3.2. Τοποθέτηση των πλαστικών αποστατών

Χρησιμοποιήστε τους πλαστικούς αποστάτες που παρέχονται με το προϊόν για να διασφαλίσετε επαρκή χώρο κυκλοφορίας αέρα ανάμεσα στο προϊόν και στον τοίχο.




1. Για να τοποθετήσετε τους αποστάτες, αφαιρέστε τις βίδες από το προϊόν και χρησιμοποιήστε τις βίδες που συνοδεύουν τους αποστάτες.
2. Τοποθετήστε τους 2 πλαστικούς αποστάτες πάνω στο κάλυμμα αερισμού που φαίνεται στην εικόνα.

3.3. Ρύθμιση των ποδιών


Αν το προϊόν δεν έχει ισορροπήσει καλά στη θέση του, ρυθμίστε τα μπροστινά ρυθμιζόμενα πόδια περιστρέφοντάς τα δεξιά ή αριστερά.

Εγκατάσταση

3.4. Σύνδεση ρεύματος

	ΠΡΟΕΙΔΟΠΟΙΗΣΗ: Μη χρησιμοποιείτε καλώδια επέκτασης ή πολύπριζα για τη σύνδεση ρεύματος.
	ΠΡΟΕΙΔΟΠΟΙΗΣΗ: Αν το καλώδιο έχει υποστεί ζημιά, πρέπει να αντικατασταθεί από το εξουσιοδοτημένο σέρβις.
	Όταν τοποθετείτε δύο ψυγεία το ένα δίπλα στο άλλο, αφήστε απόσταση τουλάχιστον 4 cm ανάμεσα στις δύο μονάδες.

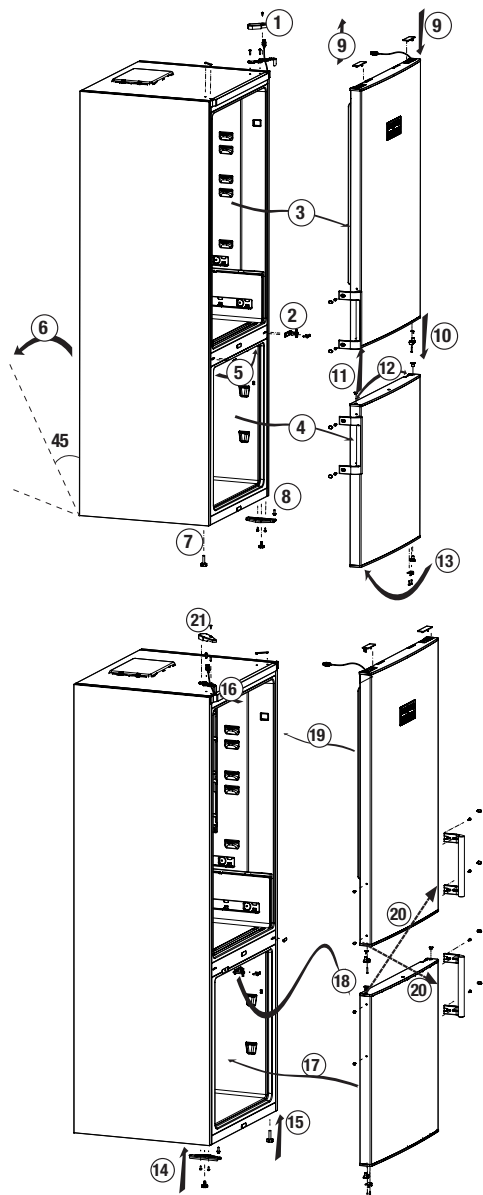
- Η εταιρεία μας δεν θα αναλάβει ευθύνη για οποιοσδήποτε ζημιάς λόγω χρήσης του προϊόντος χωρίς γείωση και χωρίς σύνδεση ρεύματος που συμμορφώνεται με τους εθνικούς κανονισμούς.
- Το φις του καλωδίου ρεύματος πρέπει να είναι εύκολα προσπελάσιμο μετά την εγκατάσταση.
- Μη χρησιμοποιείτε πολύπριζο με ή χωρίς καλώδιο επέκτασης ανάμεσα στην πρίζα τοίχου και στο ψυγείο.

	Προειδοποίηση για Καυτή Επιφάνεια! Τα πλευρικά τοιχώματα του προϊόντος είναι εξοπλισμένα με σωλήνες ψυκτικού μέσου για βελτίωση του συστήματος ψύξης. Αυτές οι περιοχές ενδέχεται να διαρρέονται από ψυκτικό μέσο σε υψηλή θερμοκρασία, με αποτέλεσμα να είναι αυξημένες οι επιφανειακές θερμοκρασίες των πλευρικών τοιχωμάτων. Αυτό είναι φυσιολογικό και δεν χρειάζεται σέρβις. Παρακαλούμε να προσέχετε όταν αγγίζετε αυτές τις περιοχές.
---	--

Εγκατάσταση

3.5. Αντιστροφή της φοράς ανοίγματος των θυρών

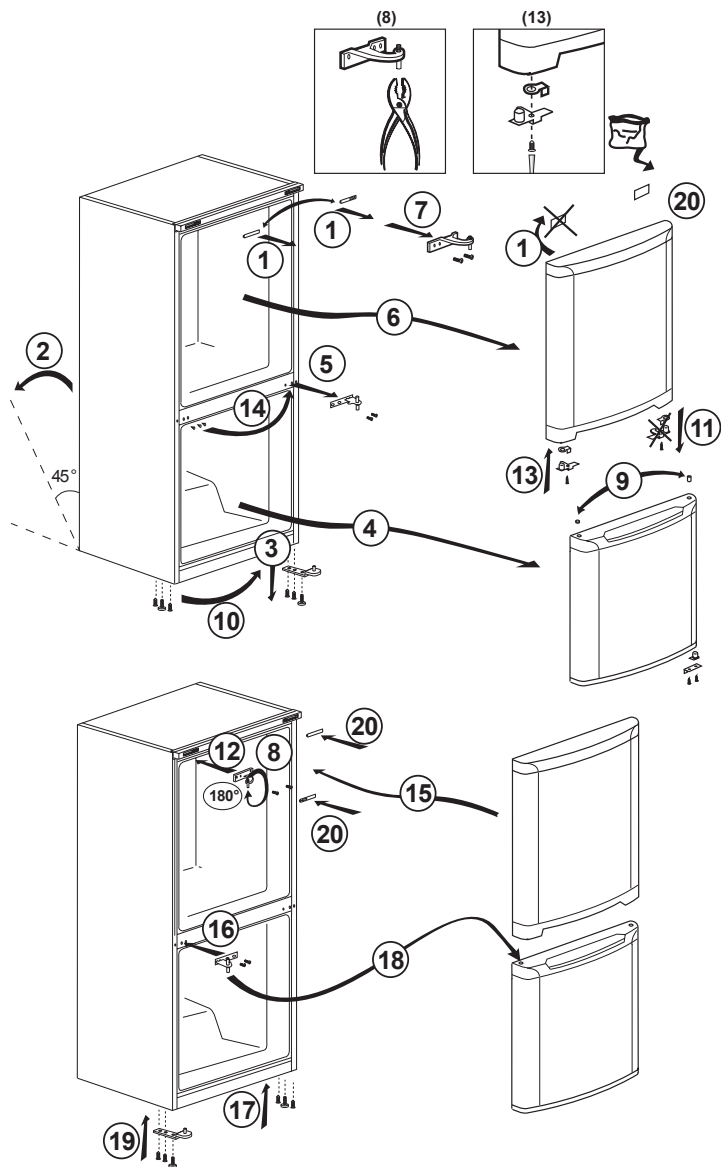
Προχωρήστε σύμφωνα με την αριθμητική σειρά.



Εγκατάσταση

3.6. Αντιστροφή της φοράς ανοίγματος των θυρών

Προχωρήστε σύμφωνα με την αριθμητική σειρά.



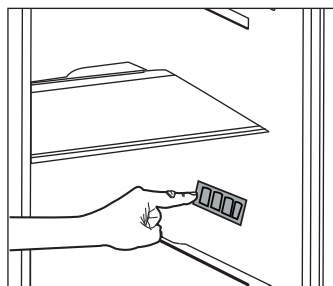
4.1. Τι να κάνετε για εξοικονόμηση ενέργειας



Η σύνδεση του προϊόντος σε ηλεκτρονικά συστήματα εξοικονόμησης ενέργειας είναι επιβλαβής, γιατί μπορεί να προξενήσει ζημιά στο προϊόν.

- Για ελεύθερη συσκευή: “η παρούσα ψυκτική συσκευή δεν προορίζεται να χρησιμοποιηθεί ως εντοιχιζόμενη συσκευή”.
- Μην κρατάτε τις πόρτες του ψυγείου ανοικτές για πολλή ώρα.
- Μην τοποθετείτε μέσα στο ψυγείο ζεστά τρόφιμα ή ποτά.
- Μη γεμίζετε υπερβολικά το ψυγείο. Αν εμποδίζετε την εσωτερική ροή του αέρα θα μειωθεί η ψυκτική του ικανότητα.
- Για να φυλάξετε τη μέγιστη ποσότητα τροφίμων στο θάλαμο συντήρησης του ψυγείου σας, θα πρέπει να αφαιρέσετε τα πάνω συρτάρια και να τοποθετήσετε τα τρόφιμα πάνω στο γυάλινο ράφι. Η δηλωθείσα τιμή κατανάλωσης ενέργειας του ψυγείου σας προσδιορίστηκε με αφαίρεση του ψύκτη, του δίσκου πάγου και των πάνω συρταριών, με τρόπο που να είναι διαθέσιμος ο μέγιστος χώρος φύλαξης. Συνιστάται ιδιαίτερα η χρήση του κάτω συρταριού κατά τη φύλαξη τροφίμων. Θα πρέπει να ενεργοποιείται η λειτουργία εξοικονόμησης ενέργειας για την καλύτερη κατανάλωση ενέργειας.
- Δεν θα πρέπει να εμποδίζετε τη ροή αέρα τοποθετώντας τρόφιμα μπροστά από τον ανεμιστήρα ψύξης. Πρέπει να αφήνετε ελάχιστη απόσταση 3 cm μπροστά από το προστατευτικό πλέγμα του ανεμιστήρα, κατά την τοποθέτηση τροφίμων.
- Ανάλογα με τα χαρακτηριστικά του προϊόντος: η απόψυξη των κατεψυγμένων τροφίμων στο θάλαμο συντήρησης θα διασφαλίσει εξοικονόμηση ενέργειας και θα διατηρήσει την ποιότητα των τροφίμων.

- Τα τρόφιμα πρέπει να αποθηκεύονται σε συρτάρια στο θάλαμο συντήρησης, ώστε να εξασφαλίζεται εξοικονόμηση ενέργειας και τα τρόφιμα να προστατεύεται σε καλύτερες συνθήκες.
- Οι συσκευασίες των τροφίμων δεν πρέπει να είναι σε απευθείας επαφή με τον αισθητήρα θερμότητας που βρίσκεται μέσα στον θάλαμο συντήρησης. Αν είναι σε επαφή με τον αισθητήρα, η κατανάλωση ενέργειας της συσκευής μπορεί να αυξηθεί.
- Βεβαιωθείτε ότι τα τρόφιμα δεν είναι σε επαφή με τον αισθητήρα θερμοκρασίας θαλάμου συντήρησης που περιγράφεται παρακάτω.
- Επειδή όταν δεν ανοίγονται οι πόρτες της συσκευής δεν θα εισέρχεται απευθείας ζεστός και υγρός αέρας, η συσκευή θα βελτιστοποιεί τη λειτουργία της σε συνθήκες επαρκείς για την προστασία των τροφίμων σας. Λειτουργίες και επί μέρους μονάδες όπως συμπιεστής, ανεμιστήρας, θερμαντήρας, απόψυξη, φωτισμός, οθόνη κλπ. θα λειτουργούν σύμφωνα με τις απαιτήσεις, ώστε να καταναλώνεται η ελάχιστη ενέργεια υπό τις δεδομένες συνθήκες.



4.2. Πρώτη χρήση

Πριν χρησιμοποιήσετε το ψυγείο σας, βεβαιωθείτε ότι έχουν γίνει οι κατάλληλες προετοιμασίες σύμφωνα με τις οδηγίες στις ενότητες "Οδηγίες για την ασφάλεια και το περιβάλλον" και "Εγκατάσταση".

- Αφήστε το προϊόν να λειτουργήσει για 6 ώρες χωρίς να έχετε τοποθετήσει τρόφιμα και μην ανοίγετε την πόρτα της συσκευής, εκτός αν αυτό είναι απολύτως απαραίτητο.



Όταν ενεργοποιείται ο συμπιεστής θα ακούγεται ένας ήχος. Είναι φυσιολογικό να ακούγεται κάποιος ήχος ακόμα και όταν δεν είναι ενεργός ο συμπιεστής, ο ήχος αυτός οφείλεται στα συμπιεσμένα υγρά και αέρια μέσα στο ψυκτικό σύστημα.



Οι μπροστινές πλευρές του προϊόντος μπορεί να θερμαίνονται. Αυτό είναι φυσιολογικό. Αυτές οι περιοχές είναι σχεδιασμένες να θερμαίνονται για την αποτροπή συμπύκνωσης.



Σε ορισμένα μοντέλα, ο πίνακας ενδείξεων απενεργοποιείται αυτόματα 5 λεπτά μετά το κλείσιμο της πόρτας της συσκευής. Θα ενεργοποιηθεί πάλι όταν ανοιχτεί η πόρτα της συσκευής ή πατηθεί οποιοδήποτε κουμπί.

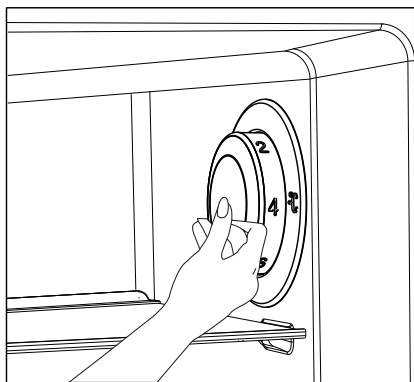
5.1. Κουμπί ρύθμισης θερμοκρασίας

Η εσωτερική θερμοκρασία του ψυγείου μπορεί να διαφέρει για τους εξής λόγους:

- Εποχικές διακυμάνσεις της θερμοκρασίας.
- Συχνό άνοιγμα της πόρτας της συσκευής και παραμονή της πόρτας ανοικτής για μεγάλα χρονικά διαστήματα.
- Τοποθέτηση τροφίμων στο ψυγείο χωρίς να έχουν ψυχθεί σε θερμοκρασία δωματίου.
- Θέση του ψυγείου στο δωμάτιο (π.χ. εκτεθειμένο στον ήλιο).
- Η απόκλιση της εσωτερικής θερμοκρασίας λόγω αυτών των παραγόντων μπορεί να αντισταθμιστεί με το κουμπί ρύθμισης.

Οι αριθμοί περιμετρικά του κουμπιού ρύθμισης υποδεικνύουν τιμή θερμοκρασίας σε βαθμούς Κελσίου "°C".

Αν η θερμοκρασία περιβάλλοντος είναι 20 °C, συνιστάται ρύθμιση της θερμοκρασίας της συντήρησης στους 4 °C. Σε άλλες θερμοκρασίες περιβάλλοντος μπορείτε να προσαρμόσετε αντίστοιχα αυτή την τιμή.

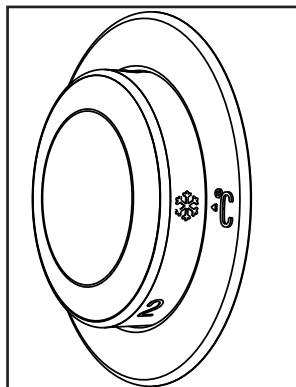


5.2. Ταχεία κατάψυξη

Αν θέλετε να καταψύξετε μεγάλες ποσότητες νωπών τροφίμων, γυρίστε το κουμπί ρύθμισης θερμοκρασίας στη θέση (❄) πριν τοποθετήσετε τα τρόφιμα στον θάλαμο ταχείας κατάψυξης.

Συνιστούμε να διατηρήσετε το κουμπί σε αυτή τη θέση τουλάχιστον 24 ώρες για να καταψύξετε τη μέγιστη ποσότητα νωπών τροφίμων που αναφέρεται στην τιμή ικανότητας κατάψυξης. Προσέξτε ιδιαίτερα να μην τοποθετήσετε μαζί ήδη κατεψυγμένα και νωπά τρόφιμα.

Μην παραλείψετε να γυρίσετε το κουμπί ρύθμισης θερμοκρασίας πάλι στην προηγούμενη θέση του.




Ενδέχεται να μη διατίθεται σε όλα τα μοντέλα



***Προαιρετικός εξοπλισμός:** Οι εικόνες σε αυτές τις οδηγίες χρήσης είναι ενδεικτικές και ενδέχεται να μην ταιριάζουν ακριβώς στο προϊόν σας. Αν το προϊόν σας δεν περιλαμβάνει τα σχετικά εξαρτήματα, οι πληροφορίες αφορούν άλλα μοντέλα.

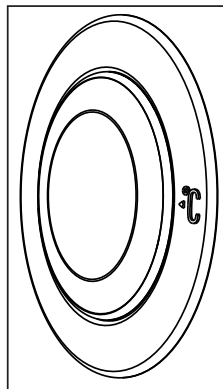
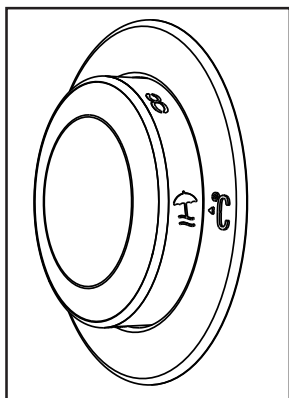
Χρήση του προϊόντος

5.3. Λειτουργία διακοπών

Αν δεν ανοιχτεί κάποια πόρτα του προϊόντος για τουλάχιστον 12 ώρες αφού το κουμπί ρύθμισης θερμοκρασίας έχει τεθεί στη μέγιστη ρύθμιση, ενεργοποιείται αυτόματα η λειτουργία διακοπών ().

Για ακύρωση της λειτουργίας πρέπει να αλλάξετε τη ρύθμιση του κουμπιού.

Δεν συνιστάται να φυλάσσετε τρόφιμα στο θάλαμο συντήρησης όταν είναι ενεργή η λειτουργία διακοπών.

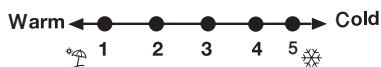
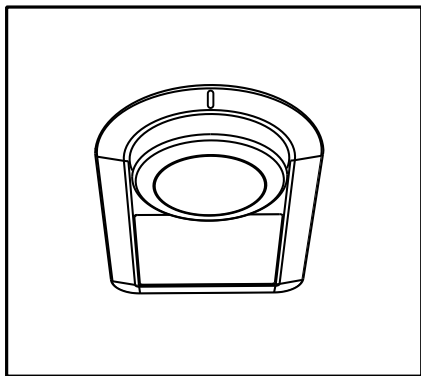


- Αφού ολοκληρωθεί η διαδικασία της ρύθμισης, μπορείτε να κρύψετε το κουμπί ρύθμισης θερμοκρασίας πιέζοντάς το προς τα μέσα.

Χρήση του προϊόντος

5.4. Κουμπί ρύθμισης θερμοστάτη

Η θερμοκρασία λειτουργίας ρυθμίζεται από τον ρυθμιστή θερμοκρασίας.



1=Ρύθμιση της χαμηλότερης ψύξης (Η πιο θερμή ρύθμιση).

4=Ρύθμιση της υψηλότερης ψύξης (Η πιο ψυχρή ρύθμιση).

Η μέση θερμοκρασία μέσα στη συντήρηση θα πρέπει να είναι γύρω στους +5 °C.

Ελέγξτε τη ρύθμιση σύμφωνα με την επιθυμητή θερμοκρασία.

Έχετε υπόψη σας ότι στην περιοχή ψύξης επικρατούν διαφορετικές θερμοκρασίες.

Η πιο ψυχρή περιοχή είναι αμέσως πάνω από το διαμέρισμα λαχανικών.

Η εσωτερική θερμοκρασία εξαρτάται και από τη θερμοκρασία περιβάλλοντος, τη συχνότητα ανοίγματος της πόρτας της συσκευής και την ποσότητα τροφίμων μέσα στο θάλαμο.

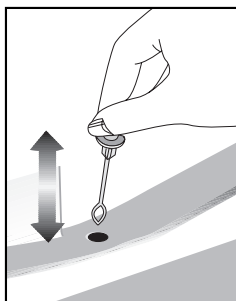
Το συχνό άνοιγμα της πόρτας της συσκευής προκαλεί αύξηση της εσωτερικής θερμοκρασίας.

Για το λόγο αυτό συνιστάται να κλείνετε πάλι την πόρτα της συσκευής όσο το δυνατόν συντομότερα μετά τη χρήση.

5.5. Κουμπί ρύθμισης θερμοστάτη

Η εσωτερική θερμοκρασία του ψυγείου αλλάζει για τους εξής λόγους:

- Εποχικές διακυμάνσεις της θερμοκρασίας.
- Συχνό άνοιγμα της πόρτας της συσκευής και παραμονή της πόρτας ανοικτής για μεγάλα χρονικά διαστήματα.
- Τοποθέτηση τροφίμων στο ψυγείο χωρίς να έχουν ψυχθεί σε θερμοκρασία δωματίου.
- Θέση του ψυγείου στον χώρο (π.χ. έκθεση σε άμεση ηλιακή ακτινοβολία).
- Χρησιμοποιώντας τον θερμοστάτη, μπορείτε να ρυθμίσετε την εσωτερική θερμοκρασία που μεταβάλλεται εξαιτίας όλων αυτών των αιτιών. Οι αριθμοί περιμετρικά του κουμπιού θερμοστάτη υποδεικνύουν τιμή θερμοκρασίας σε βαθμούς Κελσίου.
- Αν η θερμοκρασία περιβάλλοντος είναι υψηλότερη από 32 °C, περιστρέψτε το κουμπί θερμοστάτη στη μέγιστη θέση.
- Αν η θερμοκρασία περιβάλλοντος είναι χαμηλότερη από 25° C, περιστρέψτε το κουμπί θερμοστάτη στην ελάχιστη θέση.



Ενδέχεται να μη διατίθεται σε όλα τα μοντέλα

Χρήση του προϊόντος

5.6. Απόψυξη

Θάλαμος συντήρησης

Η απόψυξη του θαλάμου συντήρησης είναι πλήρως αυτόματη. Κατά τη διάρκεια της μείωσης της θερμοκρασίας του ψυγείου σας μπορούν να σχηματιστούν στο εσωτερικό πίσω τοίχωμα του θαλάμου συντήρησης σταγόνες νερού και πάχνη πάχους έως 7-8 mm.

Αυτό το φαινόμενο είναι φυσιολογικό και αποτέλεσμα της λειτουργίας του συστήματος ψύξης. Η σχηματιζόμενη πάχνη απομακρύνεται με την εκτέλεση αυτόματης απόψυξης σε ορισμένα διαστήματα χάρη στο σύστημα αυτόματης απόψυξης του πίσω τοιχώματος. Δεν απαιτείται να αφαιρέσει ο χρήστης την πάχνη με ξύσιμο ή να απομακρύνει τις σταγόνες νερού με σκούπισμα.

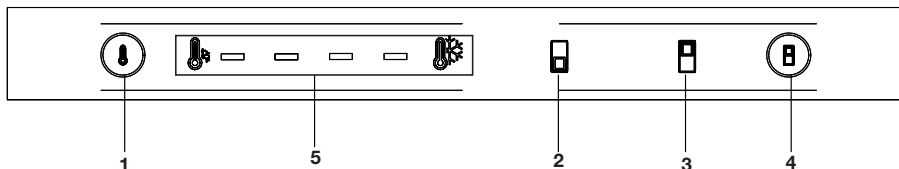
Το νερό που παράγεται κατά την απόψυξη περνάει από την αυλάκωση συλλογής νερού και από εκεί φθάνει στον εξατμιστή μέσα από το σωλήνα αποστράγγισης. Στον εξατμιστή το νερό εξατμίζεται αυτόματα.

Στον θάλαμο βαθιάς κατάψυξης δεν εκτελείται αυτόματη απόψυξη, για να αποτραπεί η αλλοίωση των κατεψυγμένων τροφίμων.

Στον θάλαμο κατάψυξης γίνεται αυτόματη απόψυξη.

Ελέγχετε τακτικά για να βλέπετε αν ο σωλήνας αποστράγγισης είναι φραγμένος ή όχι και καθαρίζετε τον με το ραβδάκι μέσα στην οπή, όταν χρειάζεται.

5.7. Πίνακας ενδείξεων



- 1.** Πλήκτρο για αλλαγή της τιμής ψύξης: Χρησιμοποιείται για ρύθμιση της τιμής ψύξης των θαλάμων συντήρησης και κατάψυξης. Αν πατήσετε αυτό το πλήκτρο ενώ είναι ενεργοποιημένη η ένδειξη θαλάμου κατάψυξης (2), θα αλλάξει η ψύξη του θαλάμου κατάψυξης. Αν πατήσετε αυτό το πλήκτρο ενώ είναι ενεργοποιημένη η ένδειξη θαλάμου συντήρησης (3), θα αλλάξει η ψύξη του θαλάμου συντήρησης.
- 2.** Ένδειξη θαλάμου Κατάψυξης: Όταν είναι αναμμένη αυτή η ένδειξη, στην ένδειξη ψύξης (5) θα εμφανίζεται η τρέχουσα τιμή ψύξης του θαλάμου Κατάψυξης. Μπορείτε να πατήσετε το πλήκτρο για αλλαγή της τιμής ψύξης (1) για να αλλάξετε την τιμή ψύξης του θαλάμου κατάψυξης.
- 3.** Ένδειξη θαλάμου Συντήρησης: Όταν είναι αναμμένη αυτή η ένδειξη, στην ένδειξη ψύξης (5) θα εμφανίζεται η τρέχουσα τιμή ψύξης του θαλάμου Συντήρησης. Μπορείτε να πατήσετε το πλήκτρο για αλλαγή της τιμής ψύξης (1) για να αλλάξετε την τιμή ψύξης του θαλάμου συντήρησης.
- 4.** Πλήκτρο επιλογής θαλάμου: Χρησιμοποιείται για επιλογή θαλάμων συντήρησης και κατάψυξης.
- 5.** Ένδειξη ψύξης: Δείχνει την τιμή ψύξης του επιλεγμένου θαλάμου. Η τιμή ψύξης αυξάνεται από αριστερά προς τα δεξιά.

Ενδέχεται να μη διατίθεται σε όλα τα μοντέλα



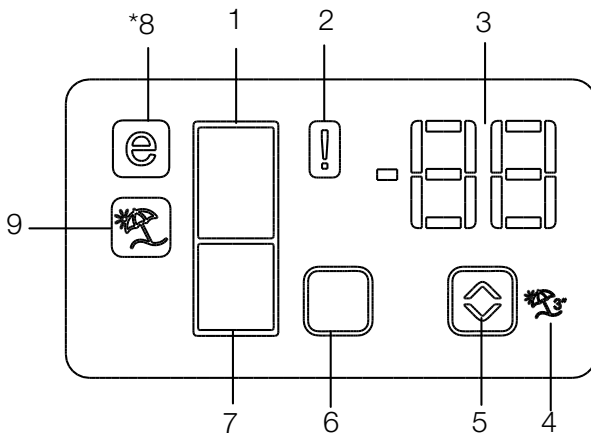
***Προαιρετικός εξοπλισμός:** Οι εικόνες σε αυτές τις οδηγίες χρήσης είναι ενδεικτικές και ενδέχεται να μην ταιριάζουν ακριβώς στο προϊόν σας. Αν το προϊόν σας δεν περιλαμβάνει τα σχετικά εξαρτήματα, οι πληροφορίες αφορούν άλλα μοντέλα.

Χρήση του προϊόντος

5.8. Πίνακας ενδείξεων

Οι πίνακες ενδείξεων μπορεί να διαφέρουν ανάλογα με το μοντέλο του προϊόντος.

Οι ηχητικές - οπτικές λειτουργίες στον πίνακα ενδείξεων σας βοηθούν στη χρήση του προϊόντος.



1. Ένδειξη θαλάμου Συντήρησης
2. Ένδειξη κατάστασης σφάλματος
3. Ένδειξη θερμοκρασίας
4. Κουμπί λειτουργίας Διακοπών
5. Κουμπί ρύθμισης θερμοκρασίας
6. Κουμπί επιλογής θαλάμου
7. Ένδειξη θαλάμου Κατάψυξης
8. Ένδειξη λειτουργίας Οικονομίας
9. Ένδειξη λειτουργίας Διακοπών

***προαιρετικός εξοπλισμός**

Ενδέχεται να μη διατίθεται σε όλα τα μοντέλα



*Προαιρετικός εξοπλισμός: Οι εικόνες σε αυτές τις οδηγίες χρήσης είναι ενδεικτικές και ενδέχεται να μην ταιριάζουν ακριβώς στο προϊόν σας. Αν το προϊόν σας δεν περιλαμβάνει τα σχετικά εξαρτήματα, οι πληροφορίες αφορούν άλλα μοντέλα.

Χρήση του προϊόντος

1. Ένδειξη θαλάμου Συντήρησης

Η λυχνία του θαλάμου συντήρησης ανάβει ενώ ρυθμίζεται η θερμοκρασία του θαλάμου συντήρησης.

2. Ένδειξη κατάστασης σφάλματος

Αν η ψύξη του ψυγείου σας δεν είναι ικανοποιητική ή σε περίπτωση σφάλματος αισθητήρα, ενεργοποιείται αυτή η ένδειξη. Όταν ενεργοποιηθεί αυτή η ένδειξη, εμφανίζεται "E" στην ένδειξη θερμοκρασίας θαλάμου κατάψυξης και εμφανίζονται αριθμοί όπως "1,2,3..." στην ένδειξη θερμοκρασίας θαλάμου συντήρησης. Αυτοί οι αριθμοί στην ένδειξη πληροφορούν το προσωπικό σέρβις σχετικά με το σφάλμα.

3. Ένδειξη θερμοκρασίας

Δείχνει τη θερμοκρασία θαλάμου κατάψυξης, συντήρησης.

4. Κουμπί λειτουργίας Διακοπών

Πατήστε 3 δευτερόλεπτα το κουμπί Διακοπών για να ενεργοποιήσετε αυτή τη λειτουργία. Όταν είναι ενεργή η λειτουργία διακοπών, εμφανίζεται "-" στην ένδειξη θερμοκρασίας θαλάμου συντήρησης και δεν πραγματοποιείται ενεργή ψύξη στο θάλαμο συντήρησης. Δεν πρέπει να φυλάσσονται τρόφιμα μέσα στο θάλαμο συντήρησης όταν είναι ενεργοποιημένη αυτή η λειτουργία. Οι άλλοι θάλαμοι και διαμερίσματα θα συνεχίσουν να ψύχονται σύμφωνα με τη ρυθμισμένη θερμοκρασίας τους.

Για να ακυρώσετε αυτή τη λειτουργία, πατήστε πάλι το κουμπί **Διακοπών**.

5. Κουμπί ρύθμισης θερμοκρασίας

Αλλάζει τη θερμοκρασία του αντίστοιχου θαλάμου στην περιοχή -24 °C έως -18 °C, και 8 °C έως 1 °C.

6. Κουμπί επιλογής θαλάμου

Κουμπί επιλογής: Πατήστε το κουμπί επιλογής θαλάμου για αλλαγή μεταξύ θαλάμου συντήρησης και κατάψυξης.

7. Ένδειξη θαλάμου Κατάψυξης

Η λυχνία του θαλάμου συντήρησης ανάβει ενώ ρυθμίζεται η θερμοκρασία του θαλάμου κατάψυξης.

8. Ένδειξη λειτουργίας Οικονομίας

Δείχνει ότι το ψυγείο λειτουργεί σε λειτουργία εξοικονόμησης ενέργειας. Αυτή η ένδειξη θα πρέπει να ενεργοποιηθεί αν η θερμοκρασία θαλάμου κατάψυξης ρυθμιστεί στους -18 °C.

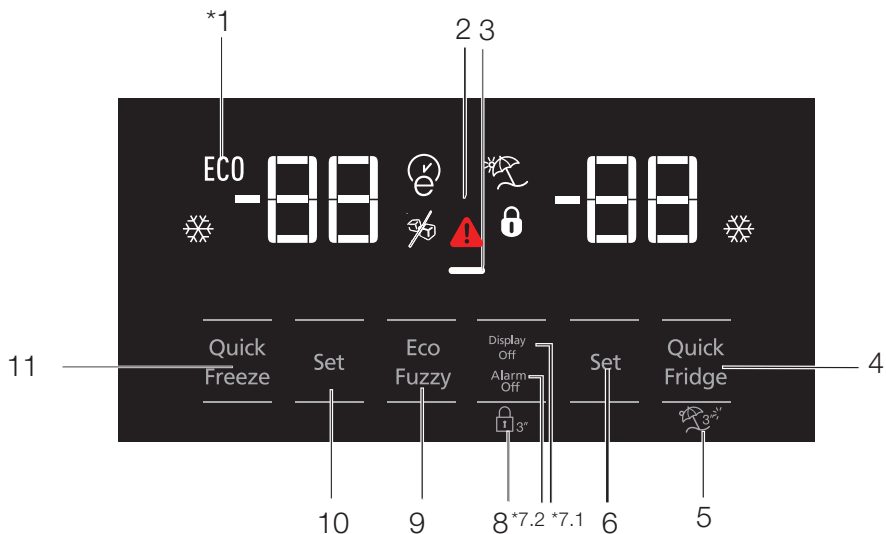
9. Ένδειξη λειτουργίας Διακοπών

Δείχνει ότι έχει ενεργοποιηθεί η λειτουργία διακοπών.

Χρήση του προϊόντος

5.9. Πίνακας ενδείξεων

Αυτός ο πίνακας ενδείξεων που περιλαμβάνει χειριστήρια αφής σας επιτρέπει να ρυθμίσετε τη θερμοκρασία χωρίς να ανοίξετε την πόρτα του ψυγείου σας. Απλά αγγίξτε το σχετικό κουμπί με το δάκτυλό σας, για να ρυθμίσετε τη θερμοκρασία.



- 1- Οικονομική χρήση
- 2- Ειδοποίηση υψηλής θερμοκρασίας / βλάβης
- 3- Λειτουργία εξοικονόμησης ενέργειας (ενδείξεις ανενεργές)
- 4- Ταχεία ψύξη
- 5- Λειτουργία διακοπών
- 6- Ρύθμιση θερμοκρασίας θαλάμου συντήρησης
- 7- Εξοικονόμηση ενέργειας (ενδείξεις ανενεργές) / Απενεργοποίηση συναγερμού
- 8- Κλειδώμα πληκτρολογίου
- 9- Eco-fuzzy
- 10- Ρύθμιση θερμοκρασίας θαλάμου κατάψυξης
- 11- Ταχεία κατάψυξη

Ενδέχεται να μη διατίθεται σε όλα τα μοντέλα




*Προαιρετικός εξοπλισμός: Οι εικόνες σε αυτές τις οδηγίες χρήσης είναι ενδεικτικές και ενδέχεται να μην ταιριάζουν ακριβώς στο προϊόν σας. Αν το προϊόν σας δεν περιλαμβάνει τα σχετικά εξαρτήματα, οι πληροφορίες αφορούν άλλα μοντέλα.

Χρήση του προϊόντος

1. Οικονομική χρήση

Η ένδειξη αυτή θα ανάψει όταν ο θάλαμος κατάψυξης έχει οριστεί σε -18°C , την πιο οικονομική ρύθμιση. (ECO) Η ένδειξη οικονομικής χρήσης θα απενεργοποιηθεί όταν επιλεγεί η λειτουργία ταχείας ψύξης ή ταχείας κατάψυξης.

2. Ειδοποίηση υψηλής θερμοκρασίας / βλάβης

Αυτή η ένδειξη () θα ανάψει σε περίπτωση σφαλμάτων θερμοκρασίας ή ειδοποιήσεων για βλάβες. Αυτή η ένδειξη ανάβει σε περιπτώσεις διακοπής ρεύματος, βλάβης με αύξηση της θερμοκρασίας και προειδοποιήσεων σφάλματος. Σε περίπτωση παρατεταμένων διακοπών ρεύματος, η μέγιστη θερμοκρασία στην οποία θα φθάσει ο θάλαμος κατάψυξης θα αναβοσβήνει στην ψηφιακή οθόνη. Αφού ελέγξετε τα τρόφιμα που βρίσκονται στο θάλαμο κατάψυξης, πιέστε το κουμπί απενεργοποίησης του συναγερμού για να απενεργοποιήσετε την ειδοποίηση.


3. Λειτουργία εξοικονόμησης ενέργειας (ενδείξεις ανενεργές)

Αν οι πόρτες της συσκευής διατηρηθούν κλειστές για μεγάλο χρονικό διάστημα, ενεργοποιείται αυτόματα η λειτουργία εξοικονόμησης ενέργειας και ανάβει το σύμβολο εξοικονόμησης ενέργειας. Όταν ενεργοποιείται η λειτουργία εξοικονόμησης ενέργειας, σβήνουν όλα τα σύμβολα στην οθόνη εκτός από το σύμβολο εξοικονόμησης ενέργειας. Όταν είναι ενεργοποιημένη η λειτουργία Εξοικονόμησης ενέργειας, αν πατήσετε οποιοδήποτε κουμπί ή ανοίξετε την πόρτα της συσκευής, η λειτουργία εξοικονόμησης ενέργειας θα ακυρωθεί και τα σύμβολα στην οθόνη θα επιστρέψουν στο κανονικό.



Η λειτουργία εξοικονόμησης ενέργειας είναι ενεργοποιημένη από την παράδοση από το εργοστάσιο και δεν μπορεί να ακυρωθεί.

4. Ταχεία ψύξη

Όταν ενεργοποιηθεί η λειτουργία ταχείας ψύξης, θα ανάψει η ένδειξη ταχείας ψύξης


() και η ένδειξη θερμοκρασίας του θαλάμου συντήρησης θα δείχνει την τιμή 1. Για να ακυρώσετε αυτή τη λειτουργία, πατήστε πάλι το κουμπί Ταχείας ψύξης. Η ένδειξη Ταχείας ψύξης θα απενεργοποιηθεί και θα επιστρέψει στην κανονική ρύθμιση. Η λειτουργία ταχείας ψύξης θα ακυρωθεί αυτόματα μετά από 1 ώρα, εκτός αν ακυρωθεί νωρίτερα από το χρήστη. Για να ψύξετε μια μεγάλη ποσότητα νωπών τροφίμων, πατήστε το κουμπί ταχείας ψύξης πριν τοποθετήσετε τα τρόφιμα στο θάλαμο συντήρησης.

5. Λειτουργία διακοπών

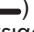
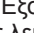
Για να ενεργοποιήσετε τη λειτουργία Διακοπών, πατήστε το κουμπί () για 3 δευτερόλεπτα. Έτσι θα ενεργοποιηθεί η ένδειξη λειτουργίας Διακοπών (). Όταν είναι ενεργή η λειτουργία Διακοπών, η ένδειξη θερμοκρασίας θαλάμου συντήρησης δείχνει "- -" και δεν θα υπάρχει ενεργή λειτουργία ψύξης στο θάλαμο συντήρησης. Αυτή η λειτουργία δεν είναι κατάλληλη για διατήρηση τροφίμων στο θάλαμο συντήρησης. Οι άλλοι θάλαμοι θα διατηρήσουν την ψύξη τους σύμφωνα με τη ρυθμισμένη θερμοκρασία του εκάστοτε θαλάμου.

Για να ακυρώσετε αυτή τη λειτουργία, πατήστε πάλι το κουμπί **Λειτουργίας διακοπών**.

6. Ρύθμιση θερμοκρασίας θαλάμου συντήρησης

Όταν πατηθεί το κουμπί, μπορείτε να ρυθμίσετε τη θερμοκρασία του θαλάμου συντήρησης σε 8,7,6,5,4,3,2 και 1 αντίστοιχα. ()

7,1. Εξοικονόμηση ενέργειας (ενδείξεις ανενεργές)

Αν πατήσετε αυτό το κουμπί () θα ανάψει η ένδειξη εξοικονόμησης ενέργειας () και θα ενεργοποιηθεί η λειτουργία Εξοικονόμησης ενέργειας. Η ενεργοποίηση της λειτουργίας εξοικονόμησης ενέργειας θα απενεργοποιήσει όλες τις άλλες ενδείξεις στον πίνακα ενδείξεων. Όταν είναι ενεργή η λειτουργία εξοικονόμησης ενέργειας, αν πατήσετε οποιοδήποτε κουμπί ή ανοίξετε την πόρτα της συσκευής, θα απενεργοποιηθεί η λειτουργία εξοικονόμησης ενέργειας και οι ενδείξεις στον πίνακα θα επιστρέψουν στο κανονικό. Αν

Χρήση του προϊόντος

πατήσετε πάλι αυτό το κουμπί (—) θα σβήσει η ένδειξη εξοικονόμησης ενέργειας και θα απενεργοποιηθεί η λειτουργία εξοικονόμησης ενέργειας.

7.2. Απενεργοποίηση συναγερμού:

Σε περίπτωση συναγερμού διακοπής ρεύματος/υψηλής θερμοκρασίας, αφού ελέγξετε τα τρόφιμα που βρίσκονται στο θάλαμο κατάψυξης, πιέστε το κουμπί απενεργοποίησης του συναγερμού για να απενεργοποιήσετε την ειδοποίηση.

8. Κλειδώμα πληκτρολογίου

Πατήστε το κουμπί κλειδώματος πληκτρολογίου (🔒) για 3 δευτερόλεπτα. Η ένδειξη κλειδώματος

(🔒) του πληκτρολογίου θα ανάψει και θα ενεργοποιηθεί το κλειδώμα πλήκτρων. Τα κουμπιά θα είναι ανενεργά όταν έχει ενεργοποιηθεί το κλειδώμα πληκτρολογίου. Πατήστε πάλι το κουμπί Κλειδώματος πληκτρολογίου για 3 δευτερόλεπτα. Το σήμα κλειδώματος πληκτρολογίου θα σβήσει και θα ακυρωθεί η λειτουργία κλειδώματος πληκτρολογίου.

Πατήστε το κουμπί **κλειδώματος πληκτρολογίου** (🔒) για να αποφύγετε την αλλαγή των ρυθμίσεων θερμοκρασίας του ψυγείου.

9. Eco-fuzzy

Για να ενεργοποιήσετε τη λειτουργία eco-fuzzy, πατήστε και κρατήστε πατημένο για 1 δευτερόλεπτα το κουμπί eco-fuzzy. Όταν είναι ενεργή αυτή η λειτουργία, η κατάψυξη θα μεταβεί σε οικονομική λειτουργία μετά από τουλάχιστον 6 ώρες και θα ανάψει η ένδειξη οικονομικής χρήσης. Για να απενεργοποιήσετε τη λειτουργία eco-fuzzy (🌿), πατήστε και κρατήστε πατημένο για 3 δευτερόλεπτα το κουμπί της λειτουργίας eco-fuzzy.

Η ένδειξη θα ανάψει μετά από 6 ώρες όταν είναι ενεργή η λειτουργία eco-fuzzy.

10. Ρύθμιση θερμοκρασίας θαλάμου κατάψυξης

Η θερμοκρασία στο θάλαμο κατάψυξης είναι ρυθμιζόμενη. Αν πατήσετε το κουμπί, θα ενεργοποιηθεί η δυνατότητα σας ρύθμισης της θερμοκρασίας θαλάμου κατάψυξης σε -18, -19, -20, -21, -22, -23 και -24 βαθμούς. (🌡️)

11. Ταχεία κατάψυξη

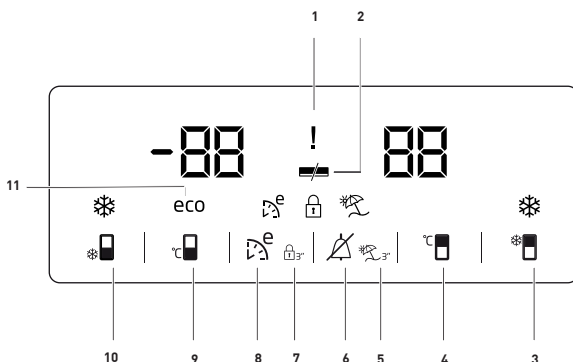
Για ταχεία κατάψυξη, πατήστε το κουμπί. Έτσι θα ενεργοποιηθεί η ένδειξη ταχείας κατάψυξης (❄️).

Όταν ενεργοποιηθεί η λειτουργία ταχείας κατάψυξης, θα ανάψει η ένδειξη ταχείας κατάψυξης και η ένδειξη θερμοκρασίας του θαλάμου κατάψυξης θα δείχνει την τιμή -27. Για να ακυρώσετε αυτή τη λειτουργία, πατήστε πάλι το κουμπί Ταχείας κατάψυξης (❄️). Η ένδειξη Ταχείας κατάψυξης θα απενεργοποιηθεί και θα επιστρέψει στην κανονική ρύθμιση. Η λειτουργία ταχείας κατάψυξης θα ακυρωθεί αυτόματα μετά από 24 ώρες, εκτός αν ακυρωθεί νωρίτερα από το χρήστη. Για να καταψύξετε μια μεγάλη ποσότητα νωπών τροφίμων, πατήστε το κουμπί ταχείας κατάψυξης πριν τοποθετήσετε τα τρόφιμα στο θάλαμο κατάψυξης.

Χρήση του προϊόντος

5.10. Πίνακας ενδείξεων

Αυτός ο πίνακας ενδείξεων με κουμπιά ελέγχου σας επιτρέπει να ρυθμίζετε τη θερμοκρασία χωρίς να ανοίγετε την πόρτα του προϊόντος σας. Απλά πατήστε τις επιγραφές στα σχετικά κουμπιά για τις ρυθμίσεις λειτουργίας.



1. Ειδοποίηση υψηλής θερμοκρασίας/ βλάβης

Αυτή η ένδειξη (🔊) θα ανάψει σε περίπτωση προειδοποιήσεων θερμοκρασίας ή ειδοποιήσεων για βλάβη.

Αν η θερμοκρασία του θαλάμου κατάψυξης αυξηθεί σε επίπεδο κρίσιμο για τα κατεψυγμένα τρόφιμα, αυτή η ένδειξη και η ένδειξη τιμής θερμοκρασίας δείχνουν εναλλάξ τη μέγιστη θερμοκρασία και την τιμή θερμοκρασίας που υπάρχει στον θάλαμο κατάψυξης. Αφού ελέγξετε τα τρόφιμα μέσα στον θάλαμο κατάψυξης, μπορείτε να σταματήσετε την ειδοποίηση πατώντας το κουμπί Απενεργοποίησης ειδοποίησης. Αυτή η ένδειξη

(🔊) επίσης ανάβει αν προκύψει δυσλειτουργία του αισθητήρα. Όταν είναι αναμμένη αυτή η ένδειξη, η ένδειξη τιμής θερμοκρασίας δείχνει εναλλάξ "E" και αριθμούς όπως "1,2,3...".

Αυτοί οι αριθμοί στην οθόνη ενδείξεων

πληροφορούν το προσωπικό σέρβις σχετικά με το είδος του σφάλματος.

2. Εξοικονόμηση ενέργειας (ενδείξεις ανενεργές)

Όταν δεν ανοίγετε και κλείνετε τις πόρτες της συσκευής, η λειτουργία εξοικονόμησης ενέργειας ενεργοποιείται αυτόματα και ανάβει το εικονίδιο εξοικονόμησης ενέργειας.

(🔊)

Η ενεργοποίηση της λειτουργίας εξοικονόμησης ενέργειας θα απενεργοποιήσει όλες τις άλλες ενδείξεις στον πίνακα ενδείξεων. Όταν είναι ενεργή η λειτουργία εξοικονόμησης ενέργειας, αν πατήσετε οποιοδήποτε κουμπί ή ανοίξετε την πόρτα της συσκευής, θα απενεργοποιηθεί η λειτουργία εξοικονόμησης ενέργειας και οι ενδείξεις στον πίνακα θα επιστρέψουν στο κανονικό.

Η λειτουργία εξοικονόμησης ενέργειας είναι μια λειτουργία που έχει ενεργοποιηθεί από προεπιλογή

Ενδέχεται να μη διατίθεται σε όλα τα μοντέλα




*Προαιρετικός εξοπλισμός: Οι εικόνες σε αυτές τις οδηγίες χρήσης είναι ενδεικτικές και ενδέχεται να μην ταιριάζουν ακριβώς στο προϊόν σας. Αν το προϊόν σας δεν περιλαμβάνει τα σχετικά εξαρτήματα, οι πληροφορίες αφορούν άλλα μοντέλα.

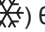
Χρήση του προϊόντος


εργοστασιακά και δεν μπορεί να ακυρωθεί.

3. Λειτουργία ταχείας ψύξης

Πατήστε σύντομα το κουμπί

() για να ενεργοποιήσετε τη λειτουργία ταχείας ψύξης.

Η ένδειξη ταχείας ψύξης () θα ανάψει και η ρύθμιση θερμοκρασίας θαλάμου συντήρησης θα τεθεί σε 1 °C.

Για να ακυρώσετε τη λειτουργία ταχείας ψύξης, πατήστε πάλι σύντομα το κουμπί (). Η ένδειξη ταχείας ψύξης θα σβήσει και η συσκευή θα επιστρέψει στις κανονικές της ρυθμίσεις.




Αν δεν ακυρώσετε τη λειτουργία ταχείας ψύξης, τότε ακυρώνεται αυτόματα μετά από 1 ώρα.

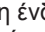


Αυτή η λειτουργία δεν παραμένει ενεργοποιημένη μετά από ενδεχόμενη διακοπή ρεύματος.

4. Κουμπί ρύθμισης θερμοκρασίας θαλάμου συντήρησης

Όταν πατηθεί αυτό το κουμπί (), η θερμοκρασία του θαλάμου συντήρησης μπορεί να ρυθμιστεί σε 8, 7, 6, 5, 4, 3, 2, 1, 8... βαθμούς αντίστοιχα. Πατήστε αυτό το κουμπί για να ρυθμίσετε τη θερμοκρασία του θαλάμου συντήρησης στην επιθυμητή τιμή.

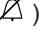
5. Λειτουργία Διακοπών

Για να ενεργοποιήσετε τη λειτουργία Διακοπών, πατήστε το κουμπί 6 Απενεργοποίησης Ειδοποίησης για 3 δευτερόλεπτα. Λειτουργία διακοπών ανάβει η ένδειξη () ενεργής λειτουργίας διακοπών, η ένδειξη θερμοκρασίας θαλάμου συντήρησης εμφανίζει "- -" και δεν θα υπάρχει ενεργή διαδικασία ψύξης στον θάλαμο συντήρησης. Σε αυτή τη λειτουργία, δεν πρέπει να φυλάσσετε τρόφιμα μέσα στον θάλαμο


συντήρησης. Ο θάλαμος κατάψυξης θα συνεχίσει να ψύχεται σύμφωνα με τη ρυθμισμένη θερμοκρασία.


Για να ακυρώσετε αυτή τη λειτουργία, πατήστε Διακοπών, πατήστε το κουμπί 6 Απενεργοποίησης Ειδοποίησης για 3 δευτερόλεπτα.

6. . Τερματισμός της προειδοποίησης υψηλής θερμοκρασίας:


Σε περίπτωση προειδοποίησης διακοπής ρεύματος/υψηλής θερμοκρασίας, μπορείτε να διαγράψετε την προειδοποίηση () πατώντας οποιοδήποτε κουμπί στον πίνακα ενδείξεων ή το κουμπί απενεργοποίησης ειδοποίησης υψηλής θερμοκρασίας για 1 δευτερόλεπτο, μετά τον έλεγχο των τροφίμων μέσα στον θάλαμο κατάψυξης. Σημείωση: Η ακύρωση με πάτημα οποιουδήποτε κουμπιού δεν έχει εφαρμογή σε κάθε μοντέλο.

7. Κλειδωμα πλήκτρων

Για να ενεργοποιήσετε το κλειδωμα πλήκτρων, πατήστε για 3 δευτερόλεπτα το κουμπί Eco fuzzy 8. Όταν έχει ενεργοποιηθεί το κλειδωμα πλήκτρων, οι ενδεικτικές λυχνίες () και τα κουμπιά δεν λειτουργούν.

Για να απενεργοποιήσετε το κλειδωμα πλήκτρων, πατήστε για 3 δευτερόλεπτα το κουμπί Eco fuzzy 8, τότε η ένδειξη () απενεργοποιείται και τα κουμπιά αρχίζουν να λειτουργούν πάλι. Αν θέλετε να αποφύγετε την αλλαγή της ρύθμισης θερμοκρασίας της συντήρησης πατήστε το κουμπί 8 για 3 δευτερόλεπτα.

8. Eco fuzzy

Πατήστε σύντομα το κουμπί Eco fuzzy για να ενεργοποιήσετε τη λειτουργία Eco fuzzy. Μετά την ενεργοποίηση της λειτουργίας, θα ανάψει η ένδειξη οικονομικής χρήσης (). Το διαμέρισμα κατάψυξης θα αρχίσει να λειτουργεί σε οικονομική

Χρήση του προϊόντος

λειτουργία μετά από 6 ώρες. Για να απενεργοποιήσετε τη λειτουργία Eco fuzzy, πατήστε σύντομα το κουμπί λειτουργίας Eco fuzzy.

9. Κουμπί ρύθμισης θερμοκρασίας θαλάμου κατάψυξης

Με αυτό το κουμπί, η θερμοκρασία του θαλάμου κατάψυξης μπορεί να ρυθμιστεί σε -18, -19, -20, -21, -22, -23, -24, -18 ... βαθμούς αντίστοιχα. Για να θέσετε τη ρύθμιση της θερμοκρασίας θαλάμου κατάψυξης στην επιθυμητή τιμή,

πατήστε αυτό το κουμπί (❏).

10. Κουμπί λειτουργίας Ταχείας κατάψυξης/Διακόπτης on-off παρασκευής πάγου

Για να ενεργοποιήσετε ή να απενεργοποιήσετε τη λειτουργία ταχείας κατάψυξης, πατήστε σύντομα αυτό το κουμπί (❏).

Όταν είναι ενεργή η λειτουργία, ανάβει η ένδειξη ταχείας κατάψυξης (❏).

Η θερμοκρασία θαλάμου κατάψυξης εμφανίζεται ως -27.

Ο θάλαμος κατάψυξης ψύχεται σε τιμή μικρότερη από τη ρυθμισμένη θερμοκρασία.

Αν θέλετε να καταψύξετε μεγάλες ποσότητες νωπών τροφίμων, πατήστε το κουμπί ταχείας κατάψυξης, πριν τοποθετήσετε τρόφιμα μέσα στον θάλαμο κατάψυξης.

Για να σταματήσετε τη διαδικασία παρασκευής πάγου της μονάδας παρασκευής πάγου, πατήστε παρατεταμένα το κουμπί ταχείας κατάψυξης 11 για 3 δευτερόλεπτα, οπότε θα ανάψει η ένδειξη (❏) και η παρασκευή πάγου θα σταματήσει αφού χετέ πάρει τον πάγο που είχε ήδη παραχθεί μέσα στη μονάδα παρασκευής πάγου.

Για να ξεκινήσει πάλι η παρασκευή πάγου, πατήστε πάλι παρατεταμένα το κουμπί ταχείας κατάψυξης 11 για 3

δευτερόλεπτα, οπότε θα σβήσει η ένδειξη (❏) και η μονάδα παρασκευής πάγου θα αρχίσει να παρασκευάζει πάγο.



Χρησιμοποιήστε τη λειτουργία ταχείας κατάψυξης αν θέλετε να καταψύξετε γρήγορα τρόφιμα που τοποθετείτε μέσα στον θάλαμο κατάψυξης. Αν θέλετε να καταψύξετε μεγάλες ποσότητες νωπών τροφίμων, ενεργοποιήστε τη λειτουργία πριν τοποθετήσετε τα τρόφιμα στη συσκευή.



Αν δεν ακυρώσετε εσείς τη λειτουργία ταχείας κατάψυξης, τότε ακυρώνεται αυτόματα μετά από 24 ώρα.



Αυτή η λειτουργία δεν παραμένει ενεργοποιημένη μετά από ενδεχόμενη διακοπή ρεύματος.

11. Ένδειξη οικονομικής χρήσης

Υποδεικνύει ότι η συσκευή λειτουργεί με υψηλή ενεργειακή απόδοση. Αν η θερμοκρασία του θαλάμου κατάψυξης έχει ρυθμιστεί σε -18 ή αν εκτελείται ενεργειακά αποδοτική ψύξη με τη λειτουργία Eco Fuzzy, τότε ανάβει αυτή η ενδεικτική λυχνία (eco).



Όταν έχει επιλεγεί η λειτουργία ταχείας ψύξης ή ταχείας κατάψυξης, τότε θα σβήσει η ένδειξη οικονομικής χρήσης.



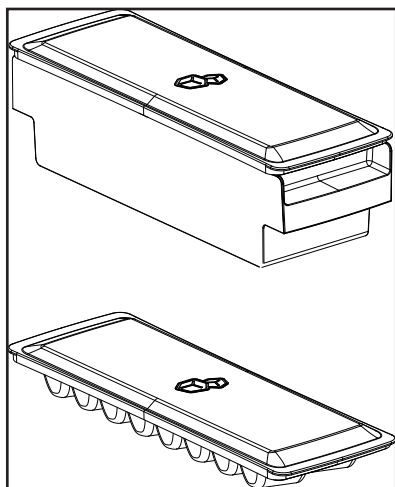
Η ένδειξη Οικονομικής χρήσης απενεργοποιείται όταν επιλέγονται οι λειτουργίες Ταχείας Ψύξης και Ταχείας Κατάψυξης.

Χρήση του προϊόντος

5.11. Παγοθήκη

*προαιρετικός εξοπλισμός

- Αφαιρέστε την παγοθήκη από τον θάλαμο κατάψυξης.
- Γεμίστε την παγοθήκη με νερό.
- Τοποθετήστε την παγοθήκη στο θάλαμο κατάψυξης.
- Ο πάγος θα είναι έτοιμος μετά από περίπου δύο ώρες. Αφαιρέστε την παγοθήκη από τον θάλαμο κατάψυξης και λυγίστε την ελαφρά πάνω από το σκεύος που θέλετε να σερβίρετε τον πάγο. Ο πάγος θα μεταφερθεί εύκολα στο σκεύος σερβιρίσματος.



5.12. Θήκη αυγών

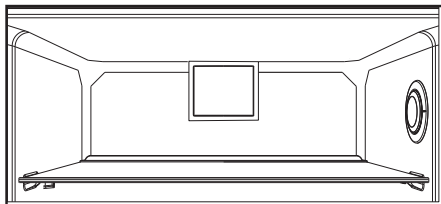
Μπορείτε να τοποθετήσετε τη θήκη αυγών στο ράφι πόρτας ή σε ράφι του κυρίως σώματος του ψυγείου που επιθυμείτε. Αν αποφασίσετε να την τοποθετήσετε στο ράφι κυρίως σώματος συνιστάται να προτιμάτε τα κάτω ράφια επειδή είναι πιο κρύα.



Μην τοποθετήσετε τη θήκη αυγών μέσα στον θάλαμο συντήρησης.

5.13. Ανεμιστήρας

Ο ανεμιστήρας έχει σχεδιαστεί για να διασφαλίζει ομοιογενή κατανομή και κυκλοφορία του αέρα στο εσωτερικό του ψυγείου σας. Ο χρόνος λειτουργίας του ανεμιστήρα μπορεί να διαφέρει ανάλογα με τα χαρακτηριστικά του προϊόντος σας. Ενώ σε ορισμένα προϊόντα ο ανεμιστήρας λειτουργεί μόνο μαζί με το συμπιεστή, σε άλλα το σύστημα ελέγχου καθορίζει το χρόνο λειτουργίας του ανεμιστήρα σύμφωνα με τις απαιτήσεις ψύξης.



5.14. Συρτάρι λαχανικών

*προαιρετικός εξοπλισμός

Το συρτάρι λαχανικών του προϊόντος έχει σχεδιαστεί ώστε να διατηρεί φρέσκα τα λαχανικά διατηρώντας την υγρασία του χώρου. Για το σκοπό αυτό, η συνολική κυκλοφορία ψυχρού αέρα γίνεται πιο έντονη στο συρτάρι λαχανικών.

5.15. Διαμέρισμα μηδέν βαθμών

*προαιρετικός εξοπλισμός

Χρησιμοποιείτε αυτό το διαμέρισμα για να διατηρείτε αλλαντικά σε χαμηλότερες θερμοκρασίες ή προϊόντα κρέατος για άμεση κατανάλωση.

Το διαμέρισμα μηδέν βαθμών είναι το πιο κρύο μέρος της συντήρησης, όπου μπορείτε να φυλάσσετε σε ιδανικές συνθήκες είδη όπως γαλακτοκομικά προϊόντα, κρέας, ψάρι και κοτόπουλο. Δεν πρέπει να αποθηκεύετε φρούτα και/ή λαχανικά σε αυτό το διαμέρισμα.

Χρήση του προϊόντος

5.16.Χρήση του δεύτερου συρταριού λαχανικών του προϊόντος:



Εικόνα 1.

Όπως δείχνει η εικόνα, υπάρχουν 2 στοπ στο δεύτερο συρτάρι λαχανικών του προϊόντος μοντέλου K70560.



Εικόνα 2.

Το δεύτερο συρτάρι λαχανικών φαίνεται όπως στην Εικόνα 2 όταν είναι κλεισμένο.



Εικόνα 3.

Με την πόρτα της συσκευής ανοιχτή στις 90°, τραβήξτε το δεύτερο συρτάρι λαχανικών ως το δεύτερο στοπ, όπως δείχνει η Εικόνα 3.

Σε περίπτωση που το συρτάρι είναι πιο ανοιχτό, πρώτα ανοίξτε την πόρτα της συσκευής κατά τουλάχιστον 135°. Κατόπιν, όπως δείχνει η Εικόνα 4,



ανυψώστε το δεύτερο συρτάρι λαχανικών για περίπου 5 mm ώστε να ελευθερωθεί από το πρώτο στοπ.

Εικόνα 4.

Αφού ανυψώσετε το δεύτερο συρτάρι λαχανικών τραβήξτε ως το δεύτερο στοπ, όπως δείχνει η Εικόνα 5.



Εικόνα 5.

Χρήση του προϊόντος

5.17. Κινητό ράφι πόρτας

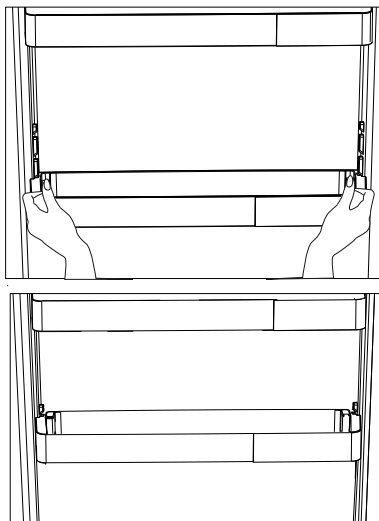
*προαιρετικός εξοπλισμός

Το κινητό ράφι πόρτας μπορεί να σταθεροποιηθεί σε 3 διαφορετικές θέσεις.

Για να μετακινήσετε το ράφι, πιέστε ομοίμορφα τα κουμπιά στο πλάι. Το ράφι θα απελευθερωθεί.

Μετακινήστε το ράφι προς τα πάνω ή κάτω.

Όταν το ράφι είναι στη θέση που θέλετε, ελευθερώστε τα κουμπιά. Το ράφι θα σταθεροποιηθεί πάλι στη θέση όπου ελευθερώσατε τα κουμπιά.

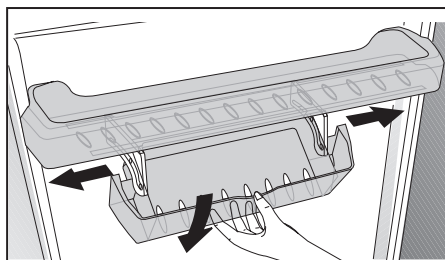


5.18. Συρόμενο κουτί φύλαξης

*προαιρετικός εξοπλισμός

Αυτό το αξεσουάρ έχει σχεδιαστεί για να αυξάνει τον ωφέλιμο όγκο κάτω από τα συρτάρια πόρτας.

Χάρη στην ικανότητά του να κινείται πλευρικά, σας επιτρέπει να τοποθετείτε εύκολα ένα ψηλό μπουκάλι, βάζο ή κουτιά που θέλετε να τοποθετήσετε στο από κάτω ράφι μπουκαλιών.



5.19. Μονάδα απόσμησης

(FreshGuard) *προαιρετικός εξοπλισμός

Η μονάδα απόσμησης εξαλείφει γρήγορα τις δυσάρεστες οσμές στο ψυγείο σας πριν διεισδύσουν στις επιφάνειες. Χάρη σε αυτή τη μονάδα που είναι τοποθετημένη στην οροφή του θαλάμου συντήρησης, οι δυσάρεστες οσμές απομακρύνονται όταν ο αέρας εξαναγκάζεται να περάσει από το φίλτρο οσμών και ο καθαρισμένος αέρας απελευθερώνεται πάλι στον θάλαμο συντήρησης. Με αυτόν τον τρόπο, οι δυσάρεστε οσμές που αναδίδονται κατά την φύλαξη των τροφίμων στο ψυγείο εξαλείφονται πριν διεισδύσουν στις επιφάνειες.

Αυτό επιτυγχάνεται χάρη στον ανεμιστήρα, το φως LED και το φίλτρο οσμών που είναι ενσωματωμένα στη μονάδα. Κατά την καθημερινή χρήση, η μονάδα απόσμησης θα ενεργοποιείται αυτόματα σε περιοδική βάση. Για διατήρηση της αποτελεσματικής απόδοσης, συνιστάται να αναθέτετε κάθε 5 χρόνια σε εξουσιοδοτημένο πάροχο σέρβις την αντικατάσταση του φίλτρου της μονάδας απόσμησης. Λόγω του ανεμιστήρα που είναι ενσωματωμένος στη μονάδα, ο θόρυβος που θα ακούτε κατά τη λειτουργία είναι φυσιολογικός. Αν ανοίξετε την πόρτα του θαλάμου συντήρησης ενώ είναι ενεργή η μονάδα, ο ανεμιστήρας θα σταματήσει προσωρινά να λειτουργεί και θα συνεχίσει τον κύκλο λειτουργίας του από το σημείο που σταμάτησε, μετά από λίγη ώρα όταν έχει κλείσει πια η πόρτα της συσκευής.

Χρήση του προϊόντος

Σε περίπτωση διακοπής ρεύματος, η μονάδα απόσπησης θα συνεχίσει τον κύκλο λειτουργίας της από το σημείο που σταμάτησε όταν αποκατασταθεί η τροφοδοσία ρεύματος.

Πληροφορίες: Συνιστάται να φυλάσσετε τρόφιμα με έντονη οσμή (όπως τυρί, ελιές και προϊόντα ντελικατέσεν) μέσα στη συσκευασία τους και σφραγισμένα, για να αποφεύγετε τις δυσάρεστες οσμές που δημιουργούνται από την ανάμιξη οσμών από διαφορετικές τροφές. Επιπλέον, συνιστάται να απομακρύνετε γρήγορα από το ψυγείο τα αλλοιωμένα τρόφιμα για να αποφύγετε την αλλοίωση και των άλλων τροφίμων και την αποφυγή δυσάρεστων οσμών.

5.20. Ελεγχόμενης υγρασίας συρτάρι λαχανικών

*προαιρετικός εξοπλισμός

Με τη λειτουργία ελέγχου υγρασίας, τα ποσοστά υγρασίας στα λαχανικά και τα φρούτα διατηρούνται υπό έλεγχο και διασφαλίζεται μεγαλύτερη περίοδος φρεσκάδας για τα τρόφιμα.

Συνιστάται να φυλάσσετε τα φυλλώδη λαχανικά, όπως μαρούλι, σπανάκι και παρόμοια, που είναι ευπαθή στην απώλεια υγρασίας, όχι στηριζόμενα στις ρίζες τους αλλά όσο το δυνατόν σε οριζόντια θέση μέσα στο συρτάρι λαχανικών.

Όταν τοποθετείτε τα λαχανικά, τοποθετείτε τα βαριά και σκληρά λαχανικά στο κάτω μέρος και τα ελαφριά και μαλακά στο πάνω μέρος, λαμβάνοντας υπόψη σας το ειδικό βάρος των λαχανικών.

Μην αφήνετε μέσα σε πλαστικές σακούλες τα λαχανικά μέσα στο συρτάρι λαχανικών. Αν αφήσετε τα λαχανικά μέσα σε πλαστικές σακούλες, τα λαχανικά θα σαπίσουν γρήγορα. Σε περιπτώσεις όπου δεν είναι επιθυμητή η επαφή με άλλα λαχανικά, χρησιμοποιείτε υλικά συσκευασίας, όπως το χαρτί, που είναι κάπως πορώδη, για λόγους υγιεινής.

Μην τοποθετείτε στο ίδιο συρτάρι λαχανικών με άλλα λαχανικά και φρούτα, τα φρούτα εκείνα που παράγουν μεγάλη ποσότητα αερίου αιθυλενίου, όπως αχλάδια, βερίκοκα, ροδάκινα και ειδικά μήλα. Το αέριο αιθυλένιο που αναδίδεται από αυτό τα φρούτα μπορεί να προκαλέσει την ταχύτερη ωρίμανση και αλλοίωσης άλλων λαχανικών και φρούτων.

Χρήση του προϊόντος

5.21. Αυτόματη μηχανή παρασκευής πάγου

*προαιρετικός εξοπλισμός

Η αυτόματη μηχανή παρασκευής πάγου σας επιτρέπει να παρασκευάζετε εύκολα πάγο στο ψυγείο σας. Για να αποκτήσετε πάγο από τη μηχανή πάγου, αφαιρέστε το δοχείο νερού από το θάλαμο συντήρησης, γεμίστε το με νερό και τοποθετήστε το πάλι στη θέση του.

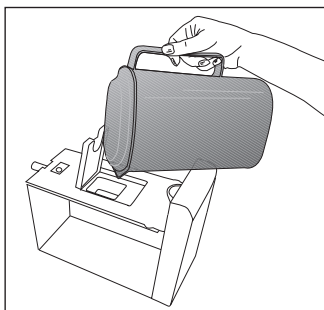
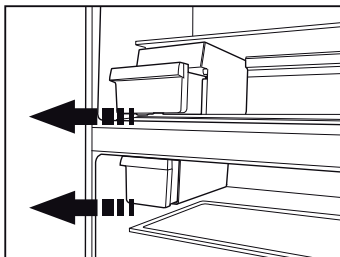
Ο πρώτος πάγος θα είναι έτοιμος σε περίπου 2 ώρες μέσα στο συρτάρι της μηχανής παρασκευής πάγου στο θάλαμο συντήρησης.

Αφού τοποθετήσετε το γεμάτο δοχείο νερού, μπορείτε να αποκτήσετε περίπου 60-70 παγοκύβους μέχρι να αδειάσει τελείως.

Αν το νερό στο δοχείο δεν έχει χρησιμοποιηθεί για 2-3 εβδομάδες, πρέπει να το αλλάξετε.



Σε προϊόντα με αυτόματη μηχανή παρασκευής πάγου, μπορεί να ακούσετε έναν ήχο κατά τη διανομή πάγου. Αυτός ο ήχος είναι κανονικός και δεν είναι ένδειξη βλάβης.



5.22. Icematic και δοχείο φύλαξης πάγου

*προαιρετικός εξοπλισμός

Χρήση του Icematic

Γεμίστε το Icematic με νερό και τοποθετήστε το στη θέση του. Ο πάγος θα είναι έτοιμος περίπου σε δύο ώρες. Μην αφαιρείτε το Icematic από την θέση του για να πάρετε πάγο.

Γυρίστε τα κουμπιά στις θήκες πάγου δεξιόστροφα κατά 90 μοίρες.

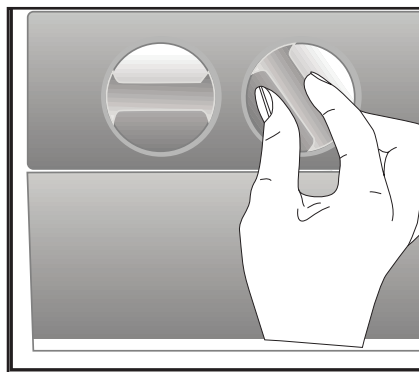
Τα παγάκια στις θήκες θα πέσουν στο δοχείο φύλαξης πάγου που βρίσκεται απτό κάτω.

Μπορείτε να αφαιρέσετε το δοχείο φύλαξης πάγου και να σερβίρετε τα παγάκια.

Αν θέλετε, μπορείτε να αφήσετε τα παγάκια στο δοχείο φύλαξης πάγου.

Δοχείο φύλαξης πάγου

Το δοχείο φύλαξης πάγου προορίζεται μόνο για τη φύλαξη παγοκύβων. Μην τοποθετήσετε νερό σ' αυτό. Αν το κάνετε, θα σπάσει.



Χρήση του προϊόντος

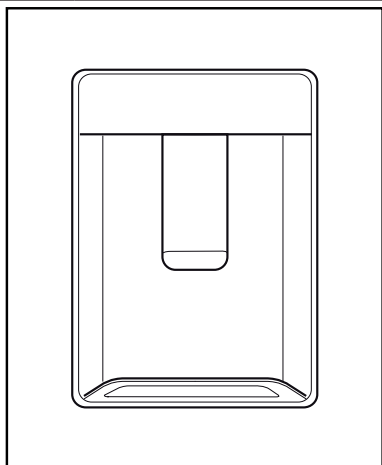
5.23. Χρήση του διανομέα νερού

*προαιρετικός εξοπλισμός

i	Είναι φυσιολογικό να είναι ζεστά τα πρώτα λίγα ποτήρια νερού που παίρνετε από το διανομέα.
i	Αν ο διανομέας νερού δεν χρησιμοποιηθεί για πολύ χρόνο, πετάξτε τα πρώτα λίγα ποτήρια νερού για να έχετε φρέσκο νερό.

1. Σπρώξτε με το ποτήρι σας το μοχλό του διανομέα νερού προς τα μέσα. Αν χρησιμοποιείτε μαλακό πλαστικό ποτήρι, θα είναι προτιμότερο να σπρώξετε το μοχλό με το χέρι σας.
2. Αφού γεμίσετε το ποτήρι ως τη στάθμη που θέλετε, ελευθερώστε το μοχλό.

i	Παρακαλούμε να έχετε υπόψη σας, ότι η ροή του νερού από το διανομέα εξαρτάται από το πόσο πολύ πιέζετε το μοχλό. Καθώς αυξάνεται η στάθμη του νερού στο κύπελλο/ ποτήρι σας, μειώστε απαλά την πίεση στο μοχλό για να αποφύγετε υπερχειλίση. Αν πιέσετε ελαφρά το βραχίονα, το νερό θα στάξει. Αυτό είναι πολύ φυσιολογικό και όχι σύμπτωμα βλάβης.
----------	---



5.24. Γέμισμα του δοχείου του διανομέα νερού

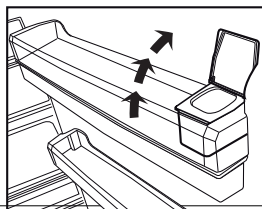
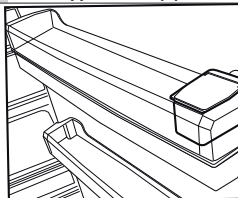
Το ρεζερβουάρ πλήρωσης του δοχείου νερού βρίσκεται μέσα στην υποδοχή πόρτας της συσκευής.

1. Ανοίξτε το κάλυμμα του δοχείου.
2. Γεμίστε το δοχείο με φρέσκο πόσιμο νερό.
3. Κλείστε το κάλυμμα.

i	Μη γεμίσετε το δοχείο νερού με οποιοδήποτε άλλο υγρό εκτός από νερό. Οι χυμοί φρούτων, τα ανθρακούχα αναψυκτικά ή οιοποπνευματώδη ποτά, κλπ. δεν είναι κατάλληλα για χρήση στο διανομέα νερού. Ο διανομέας νερού θα υποστεί ανεπανόρθωτη ζημιά αν χρησιμοποιηθούν αυτά τα είδη υγρών. Η εγγύηση δεν καλύπτει χρήσεις αυτού του είδους. Ορισμένες χημικές ουσίες και πρόσθετα που περιέχονται σε αυτά τα είδη ποτών/υγρών μπορεί να προξενήσουν ζημιά στο δοχείο νερού.
----------	--

i	Να χρησιμοποιείτε μόνο καθαρό πόσιμο νερό.
----------	--

i	Η χωρητικότητα του δοχείου νερού είναι 3 λίτρα. Μη γεμίσετε το δοχείο υπερβολικά.
----------	---



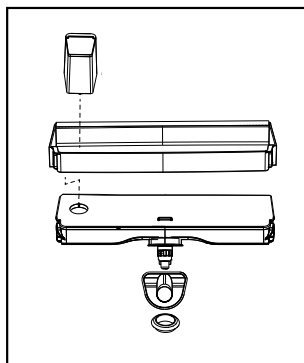
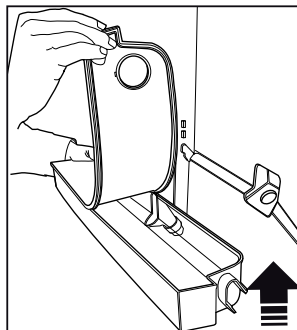
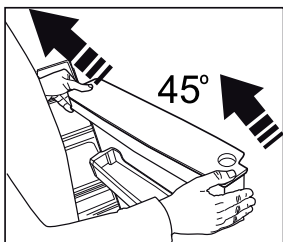
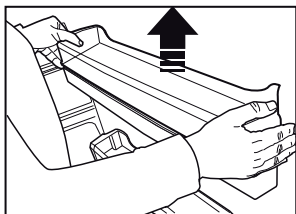
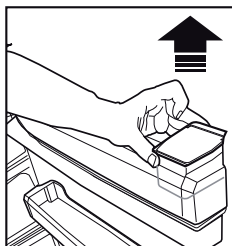
Χρήση του προϊόντος

5.25. Καθαρισμός του δοχείου νερού

1. Αφαιρέστε το ρεζερβουάρ προσθήκης νερού από μέσα από την υποδοχή πόρτας της συσκευής.
2. Αφαιρέστε την υποδοχή πόρτας κρατώντας την και από τις δύο πλευρές.
3. Πιάστε το δοχείο νερού και από τις δύο πλευρές και αφαιρέστε το υπό γωνία 45 °C.
4. Αφαιρέστε το κάλυμμα του δοχείου νερού και καθαρίστε το δοχείο.



Τα μέρη του δοχείου νερού και του διανομέα νερού δεν πρέπει να πλένονται σε πλυντήριο πιάτων.

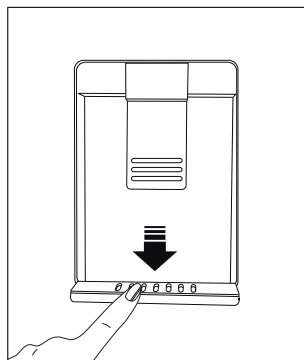


5.26. Δίσκος συλλογής σταγόνων

Σταγόνες νερού που τυχόν στάζουν ενώ χρησιμοποιείτε το διανομέα νερού συγκεντρώνονται στο δίσκο συλλογής σταγόνων.

Αφαιρέστε το πλαστικό φίλτρο όπως δείχνει η εικόνα.

Με ένα καθαρό και στεγνό πανί, αφαιρέστε το νερό που έχει συσσωρευτεί.



Χρήση του προϊόντος

5.27. Γέμισμα του δοχείου του διανομέα νερού

Το ρεζερβουάρ πλήρωσης του δοχείου νερού βρίσκεται μέσα στην υποδοχή πόρτας της συσκευής.

1. Ανοίξτε το κάλυμμα του δοχείου.



Παρακαλούμε να έχετε υπόψη σας, ότι η ροή του νερού από το διανομέα εξαρτάται από το πόσο πολύ πιέζετε το μοχλό. Καθώς αυξάνεται η στάθμη του νερού στο κύπελλο/ ποτήρι σας, μειώστε απαλά την πίεση στο μοχλό για να αποφύγετε υπερχειλίση. Αν πιέσετε ελαφρά το βραχίονα, το νερό θα στάξει. Αυτό είναι πολύ φυσιολογικό και όχι σύμπτωμα βλάβης.

Χρήση του προϊόντος

5.28. Κατάψυξη νωπών τροφίμων

- Για να διατηρηθεί η ποιότητα των τροφίμων, τα είδη που τοποθετούνται μέσα στο θάλαμο κατάψυξης πρέπει να καταψύχονται όσο το δυνατόν πιο γρήγορα, χρησιμοποιείτε τη λειτουργία ταχείας κατάψυξης.
- Η κατάψυξη των τροφίμων όταν είναι φρέσκα θα επεκτείνει το χρόνο φύλαξης στο θάλαμο κατάψυξης.
- Συσκευάζετε τα τρόφιμα σε αεροστεγείς συσκευασίες και καλά σφραγισμένα.
- Να βεβαιώνετε ότι τα τρόφιμα έχουν συσκευαστεί πριν τοποθετηθούν μέσα στην κατάψυξη. Να χρησιμοποιείτε δοχεία για κατάψυξη, αλουμινόχαρτο και χαρτί μη διαπερατό στην υγρασία, πλαστικές σακούλες ή παρόμοια υλικά συσκευασίας αντί για το παραδοσιακό χαρτί συσκευασίας.



Ο πάγος στον θάλαμο κατάψυξης λιώνει αυτόματα.

- Αναγράψτε σε κάθε συσκευασία τροφίμων την ημερομηνία πριν την καταψύξετε. Έτσι θα μπορείτε εύκολα να διαπιστώσετε τη φρεσκάδα κάθε πακέτου, κάθε φορά που ανοίγετε την κατάψυξη. Διατηρείτε τα πιο παλιά είδη στο μπροστινό μέρος για να βεβαιωθείτε ότι θα χρησιμοποιηθούν πρώτα.
- Τα κατεψυγμένα τρόφιμα πρέπει να χρησιμοποιούνται αμέσως μετά την απόψυξη και δεν θα πρέπει να καταψύχονται πάλι.

- Μην καταψύχετε μεγάλες ποσότητες τροφίμων ταυτόχρονα.

Χρήση του προϊόντος

Ρύθμιση θερμοκρασίας θαλάμου Κατάψυξης	Ρύθμιση θερμοκρασίας θαλάμου Συντήρησης	Λεπτομέρειες
-18 °C	4 °C	Αυτή είναι η προεπιλεγμένη, συνιστώμενη ρύθμιση.
-20,-22 ή -24 °C	4 °C	Αυτές οι ρυθμίσεις συνιστώνται για θερμοκρασίες περιβάλλοντος που υπερβαίνουν τους 30 °C.
Ταχεία Κατάψυξη	4 °C	Χρησιμοποιήστε την όταν θέλετε να καταψύξετε τρόφιμα σε σύντομο χρόνο. Όταν τελειώσει η διαδικασία, το προϊόν θα επανέλθει στην προηγούμενη κατάσταση του.
-18 °C ή χαμηλότερη θερμοκρασία	2 °C	Χρησιμοποιήστε αυτές τις ρυθμίσεις αν πιστεύετε ότι ο θάλαμος συντήρησης δεν είναι αρκετά παγωμένος λόγω της θερμοκρασίας περιβάλλοντος ή επειδή ανοίγει συχνά η πόρτα της συσκευής.

5.29. Υποδείξεις για τη φύλαξη κατεψυγμένων τροφίμων

Η θερμοκρασία στο θάλαμο πρέπει να ρυθμιστεί σε τουλάχιστον -18 °C.

1. Τοποθετήστε τα τρόφιμα στην κατάψυξη το συντομότερο δυνατόν, για να αποφύγετε απόψυξή τους.
2. Πριν τα τοποθετήσετε στην κατάψυξη, ελέγξτε την "Ημερομηνία Λήξης" που αναγράφεται στη συσκευασία για να βεβαιωθείτε ότι δεν έχουν λήξει.
3. Βεβαιωθείτε ότι δεν υπάρχουν ζημιές στη συσκευασία των τροφίμων.

5.30. Λεπτομέρειες για τη βαθιά κατάψυξη

Σύμφωνα με τα πρότυπα IEC 62552, ο θάλαμος κατάψυξης πρέπει να έχει τουλάχιστον τη δυναμικότητα κατάψυξης 4,5 κιλών τροφίμων στους -18 °C ή σε χαμηλότερες θερμοκρασίες σε 24 ώρες για κάθε 100 λίτρα όγκου του θαλάμου κατάψυξης.

Τα τρόφιμα μπορούν να διατηρηθούν για παρατεταμένες περιόδους μόνο σε θερμοκρασίες -18 °C ή χαμηλότερες. Μπορείτε να διατηρήσετε τα τρόφιμα φρέσκα για μήνες (στη βαθιά κατάψυξη σε θερμοκρασίες -18 °C ή χαμηλότερες). Τα προς κατάψυξη τρόφιμα δεν πρέπει να έρχονται σε επαφή με τα ήδη κατεψυγμένα τρόφιμα, για την αποφυγή μερικής απόψυξης των δεύτερων. Βράστε τα λαχανικά και φιλτράρετε το νερό για να επεκτείνετε το χρόνο φύλαξης των κατεψυγμένων. Τοποθετείτε τα

τρόφιμα σε αεροστεγείς συσκευασίες αφού τα φιλτράρετε και τοποθετήστε τα στην κατάψυξη. Μπανάνες, ντομάτες, μαρούλι, σέλινο, βραστά αυγά, πατάτες και παρόμοια τρόφιμα δεν πρέπει να καταψύχονται. Σε περίπτωση που αυτά τα φαγητά αλλοιωθούν, μόνο οι διατροφικές τους τιμές και τα ποιοτικά χαρακτηριστικά κατανάλωσής του θα επηρεαστούν αρνητικά. Δεν υπάρχει περίπτωση αλλοίωσης που θα θέσει σε κίνδυνο την ανθρώπινη υγεία.

5.31. Τοποθέτηση των τροφίμων

Ράφια χώρου κατάψυξης	Διάφορα κατεψυγμένα τρόφιμα περιλαμβανομένου κρέατος, ψαριών, παγωτού, λαχανικών κλπ.
Ράφια θαλάμου συντήρησης	Τρόφιμα μέσα σε σκεύη, σκεπασμένα πιάτα και σκεπασμένες θήκες, αυγά (σε σκεπασμένες θήκες)
Ράφια πόρτας θαλάμου συντήρησης	Μικρά και συσκευασμένα τρόφιμα ή ποτά
Συρτάρι λαχανικών	Φρούτα και λαχανικά
Διαμέρισμα νωπών τροφίμων	Ντελικατέσεν (είδη πρωινού, προϊόντα κρέατος για άμεση κατανάλωση)

Χρήση του προϊόντος

5.32. Ειδοποίηση ανοικτής πόρτας της συσκευής

(Προαιρ.)

Θα ακουστεί μια ηχητική ειδοποίηση αν η πόρτα του προϊόντος παραμείνει ανοικτή για τουλάχιστον 1 λεπτό. Η ηχητική ειδοποίηση θα σταματήσει όταν κλείσετε την πόρτα της συσκευής ή πατήσετε οποιοδήποτε κουμπί στην οθόνη (αν διατίθεται).

Η ειδοποίηση ανοικτής πόρτας της συσκευής μεταδίδεται στον χρήστη και με ηχητική και με οπτική μέθοδο. Ο εσωτερικός φωτισμός θα σβήσει αν η προειδοποίηση συνεχιστεί για 10 λεπτά.

5.33. Αλλαγή της κατεύθυνσης ανοίγματος της πόρτας της συσκευής

Μπορείτε να αλλάξετε την κατεύθυνση ανοίγματος της πόρτας του ψυγείου σας ανάλογα με τη θέση χρήσης του. Όταν χρειάζεται να το κάνετε αυτό, επικοινωνήστε με το πλησιέστερο Εξουσιοδοτημένο Σέρβις.

Η παραπάνω εξήγηση είναι μια γενική δήλωση. Θα πρέπει να ελέγξετε την προειδοποιητική ετικέτα που βρίσκεται μέσα στο προϊόν σχετικά με τη δυνατότητα αλλαγής της κατεύθυνσης ανοίγματος της πόρτας.

5.34. Εσωτερικό φως

Για το εσωτερικό φως χρησιμοποιείται λαμπτήρας LED. Για οποιαδήποτε προβλήματα με αυτό το λαμπτήρα απευθυνθείτε στο εξουσιοδοτημένο σέρβις.

Ο λαμπτήρας (ή λαμπτήρες) που χρησιμοποιούνται σε αυτή τη συσκευή δεν μπορούν να χρησιμοποιηθούν για οικιακό φωτισμό. Η προβλεπόμενη χρήση αυτού του λαμπτήρα είναι να βοηθά τον χρήστη να τοποθετεί τρόφιμα μέσα στη συντήρηση/κατάψυξη με ασφάλεια και ευκολία.

5.35. HerbBox/HerbFresh

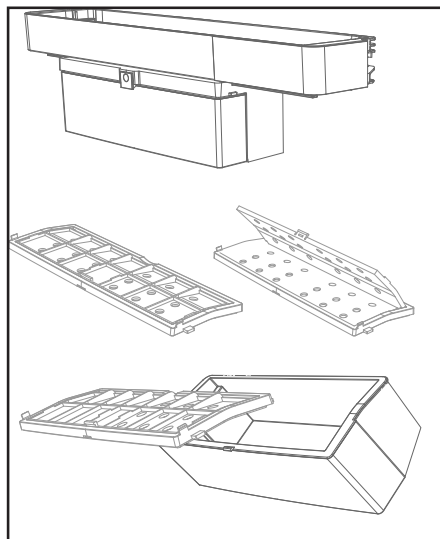
Αφαιρέστε τη θήκη μεμβράνης από τη μονάδα HerbBox/HerbFresh+

Αφαιρέστε τη μεμβράνη από τη σακούλα και τοποθετήστε την μέσα στη θήκη μεμβράνης όπως δείχνει η ταινία.



Κλείστε πάλι τη θήκη τοποθετήστε τη μέσα στη μονάδα HerbBox/HerbFresh+.

Τα τμήματα HerbBox-HerbFresh+ είναι ιδανικά ιδιαίτερα για τη φύλαξη διάφορων μυρωδικών τα οποία πρέπει να φυλάσσονται σε ειδικές συνθήκες. Σε αυτό το τμήμα μπορείτε να φυλάσσετε τα μυρωδικά (μαϊντανό, άνηθο κλπ.) εκτός σακούλας σε οριζόντια θέση ώστε να διατηρούνται φρέσκα για πολύ μεγαλύτερο χρονικό διάστημα.

Η μεμβράνη πρέπει να αντικαθίσταται κάθε έξι μήνες.



Η ωφέλιμη διάρκεια ζωής του προϊόντος θα αυξηθεί και προβλήματα που αντιμετωπίζετε θα μειωθούν αν το προϊόν καθαρίζεται περιοδικά.

	ΠΡΟΕΙΔΟΠΟΙΗΣΗ: Απενεργοποιείτε το προϊόν πριν τον καθαρισμό του.
	ΠΡΟΕΙΔΟΠΟΙΗΣΗ: Συνιστάται να καθαρίζετε τον συμπυκνωτή κάθε έξι μήνες φορώντας γάντια. Δεν πρέπει να χρησιμοποιείτε ηλεκτρικές σκούπες.

- Ποτέ μη χρησιμοποιείτε πετρέλαιο, βενζίνη ή παρόμοια συστατικά για τον καθαρισμό.
- Ποτέ μη χρησιμοποιείτε για τον καθαρισμό αιχμηρά είδη που χαράζουν, σαπούνι, οικιακά καθαριστικά, απορρυπαντικό ή στιλβωτικό τύπου κεριού.
- Διαλύστε ένα κουτάλι του γλυκού σόδας σε μισό λίτρο νερού. Βρέξτε ένα πανί στο διάλυμα και στύψτε το καλά. Σκουπίστε το εσωτερικό του ψυγείου με αυτό το πανί και κατόπιν στεγνώστε το καλά.
- Φροντίστε απαραίτητα να μην εισέλθει νερό στο περίβλημα της λάμπας ή σε άλλα ηλεκτρικά μέρη..
- Αν δεν πρόκειται να χρησιμοποιήσετε το ψυγείο για μεγάλο χρονικό διάστημα, αποσυνδέστε το από την πρίζα, αφαιρέστε όλα τα τρόφιμα από το εσωτερικό του, καθαρίστε το και αφήστε την πόρτα του μισάνοιχτη.
- Ελέγχετε συχνά ότι οι στεγανοποιήσεις στις πόρτες της συσκευής είναι καθαρές. Αν δεν είναι, καθαρίζετέ τις.
- Αφαιρέστε όλα τα είδη από το προϊόν για να αφαιρέσετε τα ράφια από τις πόρτες και το κυρίως σώμα του προϊόντος.
- Αφαιρείτε τα ράφια πόρτας τραβώντας τα προς τα πάνω. Για να επανατοποθετήσετε

τα ράφια μετά από καθαρισμό, σύρετέ τα προς τα κάτω.

- Ποτέ μη χρησιμοποιήσετε καθαριστικά ή νερό με χλωρίνη για να καθαρίσετε τις εξωτερικές επιφάνειες ή επιχρωμιωμένα μέρη του προϊόντος. Η χλωρίνη προκαλεί αλλοιώσεις αυτών των μεταλλικών επιφανειών.
- Για προϊόντα που δεν είναι No Frost, εμφανίζονται σταγόνες νερού και πάχνη πάχους έως ενός δακτύλου στο πίσω τοίχωμα του θαλάμου Συντήρησης. Μην το καθαρίζετε και ποτέ μην το αλείφετε με λάδι ή παρόμοια είδη.
- Χρησιμοποιείτε μόνο ελαφρά υγρά πανιά από μικροΐνες για να καθαρίζετε την εξωτερική επιφάνεια του προϊόντος. Σφουγγάρια και άλλοι τύποι πανιών καθαρισμού μπορεί να γρατζουνίσουν την επιφάνεια.

6.1. Αποφεύγετε τις δυσάρεστες οσμές

Στην παραγωγή των ψυγείων μας δεν χρησιμοποιούνται υλικά που μπορεί να προκαλέσουν οσμές. Ωστόσο, μπορεί να παραχθούν οσμές αν τρόφιμα φυλάσσονται με ακατάλληλο τρόπο ή αν η εσωτερική επιφάνεια του προϊόντος δεν καθαρίζεται όπως απαιτείται. Παρακαλούμε να λαμβάνετε υπόψη σας τα εξής για να αποφύγετε αυτό το πρόβλημα:

- Είναι σημαντικό να διατηρείτε το ψυγείο καθαρό. Κατάλοιπα τροφίμων, λεκέδες κλπ. μπορεί να προκαλέσουν οσμή. Για το λόγο αυτό, καθαρίζετε το ψυγείο σας κάθε 15 ημέρες με σόδα διαλυμένη σε νερό. Ποτέ μη χρησιμοποιείτε απορρυπαντικά ή σαπούνι.
- Διατηρείτε τα τρόφιμα μέσα σε κλειστούς περιέκτες. Οι μικροοργανισμοί που μεταδίδονται από δοχεία χωρίς καπάκι μπορεί να προκαλέσουν δυσάρεστες οσμές.

- Ποτέ μη φυλάσσετε στο ψυγείο σας τρόφιμα που έχουν λήξει ή αλλοιωθεί.

6.2. Προστασία των πλαστικών επιφανειών

Μην τοποθετείτε υγρά λάδια ή φαγητά μαγειρεμένα σε λάδι στο ψυγείο σας σε μη σφραγισμένα δοχεία επειδή προξενούν ζημιές στις πλαστικές επιφάνειες του ψυγείου σας. Σε περίπτωση που χυθεί ή αλειφτεί λάδι στις πλαστικές επιφάνειες, καθαρίστε αμέσως και ξεπλύνετε το επηρεαζόμενο μέρος της επιφάνειας με χλιαρό νερό.

6.3. Καθαρισμός της εσωτερικής επιφάνειας

Για να καθαρίζετε τις εσωτερικές επιφάνειες και όλα τα αφαιρούμενα μέρη, πλένετέ τα σε ένα ήπιο διάλυμα καθαρισμού από σαπούνι, νερό και σόδα. Ξεπλύνετε και στεγνώστε τα σχολαστικά. Αποτρέψτε την επαφή νερού με μέσα φωτισμού και τον πίνακα ελέγχου.

ΠΡΟΣΟΧΗ:

Μη χρησιμοποιείτε ξύδι, μετουσιωμένο οινόπνευμα ή άλλα καθαριστικά με βάση το οινόπνευμα σε καμία από τις εσωτερικές επιφάνειες.



6.4. Εξωτερικές επιφάνειες από ανοξείδωτο χάλυβα

Χρησιμοποιήστε ένα καθαριστικό για ανοξείδωτο χάλυβα το οποίο δεν χαράζει και απλώστε το χρησιμοποιώντας ένα απαλό πανί που δεν αφήνει χνούδι. Για γυάλισμα, σκουπίστε την επιφάνεια απαλά με ένα ελαφρά υγρό πανί από μικροΐνες και χρησιμοποιήστε στεγνό δέρμα πλυσίματος. Ακολουθείτε πάντα τα "νερά" του ανοξείδωτου χάλυβα.

6.5. Προϊόντα καθαρισμού με γυάλινες πόρτες

Αφαιρέστε την προστατευτική μεμβράνη από το γυαλί.

Υπάρχει μια επικάλυψη στην επιφάνεια του γυαλιού. Αυτή η επικάλυψη ελαχιστοποιεί τον σχηματισμό κηλίδων και διασφαλίζει ότι τυχόν κηλίδες και οι ακαθαρσίες καθαρίζονται εύκολα. Τα γυαλιά που δεν είναι προστατευμένα με επικάλυψη μπορεί να εκτεθούν σε μόνιμη προσκόλληση οργανικών ή ανόργανων, μεταφερόμενων με τον αέρα ή το νερό ρυπαντών όπως αποθέσεις αλάτων ασβεστίου, ανόργανα άλατα, άκαυστους υδρογονάνθρακες, οξειδία μετάλλων και σιλικόνες, με αποτέλεσμα κηλίδες και φυσική ζημιά σε σύντομο χρονικό διάστημα. Παρά το τακτικό πλύσιμο, γίνεται όλο και δυσκολότερο, αν όχι αδύνατο, να παραμείνει καθαρό το γυαλί. Το αποτέλεσμα είναι να υποβαθμιστεί η καθαριότητα και η καλή εμφάνιση του γυαλιού. Τα καθαριστικά μέσα που είναι σκληρά και χαράζουν, ή αντίστοιχες μέθοδοι, αυξάνουν τις ζημιές στο γυαλί και επιταχύνουν την υποβάθμισή του.

*Για τις διαδικασίες καθαρισμού ρουτίνας θα πρέπει να χρησιμοποιείτε προϊόντα καθαρισμού που είναι μη αλκαλικά, δεν χαράζουν και είναι βάσης νερού.

Για μεγαλύτερη διάρκεια ζωής της επικάλυψης, δεν πρέπει να χρησιμοποιούνται στις διαδικασίες καθαρισμού υλικά που είναι αλκαλικά ή χαράζουν.

Αυτά τα γυαλιά έχουν υποβληθεί σε διαδικασία σκλήρυνσης για αύξηση της αντοχής τους σε κρούση και θραύση. Ως πρόσθετο μέτρο ασφαλείας, υπάρχει μια μεμβράνη ασφαλείας στις πίσω επιφάνειες των γυαλιών, για να διασφαλιστεί ότι δεν θα προκληθεί ζημιά στον περιγύρο τους σε περίπτωση θραύσης τους.

Δείτε αυτή τη λίστα πριν καλέσετε το σέρβις. Έτσι θα εξοικονομήσετε χρόνο και χρήματα. Η λίστα περιλαμβάνει προβλήματα που εμφανίζονται συχνά και δεν είναι αποτελέσματα κακή ποιότητας εργασίας ή υλικών που χρησιμοποιήθηκαν. Το δικό σας προϊόν ενδέχεται να μην έχει ορισμένα από τα χαρακτηριστικά που αναφέρονται εδώ.

Το ψυγείο δεν λειτουργεί.

- Ίσως δεν έχει συνδεθεί σωστά στην πρίζα. >>>Συνδέστε το προϊόν σωστά.
- Ίσως έχει καεί η ασφάλεια της πρίζας στην οποία έχει συνδεθεί το ψυγείο ή η γενική ασφάλεια. >>> Ελέγξτε την ασφάλεια.

Συμπύκνωση στο πλευρικό τοίχωμα του θαλάμου συντήρησης (MULTI ZONE, COOL CONTROL και FLEXI ZONE).

- Μπορεί να ανοιγοκλείστηκε συχνά η πόρτα της συσκευής. >>> Μην ανοιγοκλείνετε συχνά την πόρτα του ψυγείου.
- Ίσως το περιβάλλον να είναι υπερβολικά υγρό. >>>Μην εγκαθιστάτε το ψυγείο σε θέσεις με πολύ υψηλή υγρασία.
- Τρόφιμα που περιέχουν υγρό ίσως έχουν τοποθετηθεί στο ψυγείο σε δοχεία χωρίς καλύμματα. >>>Μην τοποθετείτε τρόφιμα που περιέχουν υγρό μέσα στο ψυγείο σε μη σφραγισμένα δοχεία.
- Η πόρτα του ψυγείου μπορεί να έχει παραμείνει μισάνοιχτη. >>>Μην αφήνετε τις πόρτες του ψυγείου ανοικτές για μεγάλο χρονικό διάστημα.
- Ο θερμοστάτης μπορεί να έχει ρυθμιστεί σε πολύ κρύο επίπεδο. >>>Ρυθμίστε τον θερμοστάτη σε κατάλληλο επίπεδο.

Ο συμπιεστής δεν λειτουργεί.

- Το προστατευτικό θερμικό του συμπιεστή θα ενεργοποιηθεί σε περίπτωση ξαφνικών διακοπών ρεύματος ή αν η συσκευή αποσυνδεθεί και συνδεθεί γρήγορα στο ρεύμα, επειδή η πίεση του ψυκτικού μέσου στο σύστημα ψύξης του ψυγείου δεν έχει εξισορροπηθεί ακόμα. Το ψυγείο θα αρχίσει να λειτουργεί πάλι μετά από περίπου 6 λεπτά. Καλέστε τον Εξουσιοδοτημένο Πάροχο Σέρβις αν το ψυγείο δεν τίθεται σε λειτουργία στο τέλος αυτού του χρονικού διαστήματος.
- Η κατάψυξη είναι σε κύκλο απόψυξης. >>>Αυτό είναι φυσιολογικό για ένα ψυγείο που εκτελεί πλήρως αυτόματη απόψυξη. Ο κύκλος απόψυξης γίνεται αυτόματα.
- Ίσως το ψυγείο δεν έχει συνδεθεί στην πρίζα. >>>Βεβαιωθείτε ότι το φως ταιριάζει στην πρίζα.
- Ίσως οι ρυθμίσεις θερμοκρασίας είναι λανθασμένες. >>>Επιλέξτε τη σωστή τιμή θερμοκρασίας.
- Πιθανή διακοπή ρεύματος. >>>Το προϊόν θα αρχίσει να λειτουργεί κανονικά όταν αποκατασταθεί το ρεύμα.

Ο θόρυβος λειτουργίας αυξάνεται όταν είναι σε ενεργή λειτουργία το ψυγείο.

- Η απόδοση λειτουργίας του ψυγείου μπορεί να διαφέρει ανάλογα με τις μεταβολές της θερμοκρασίας περιβάλλοντος. Αυτό είναι φυσιολογικό και δεν αποτελεί βλάβη.

Αντιμετώπιση προβλημάτων

Το ψυγείο τίθεται σε ενεργή λειτουργία συχνά ή για πολλή ώρα.

- Το νέο προϊόν μπορεί να είναι μεγαλύτερο από το προηγούμενο. Τα μεγαλύτερα ψυγεία παραμένουν σε ενεργή λειτουργία για μεγαλύτερα χρονικά διαστήματα.
- Η θερμοκρασία του δωματίου μπορεί να είναι υψηλή. >>> Είναι φυσιολογικό να είναι το προϊόν σε ενεργή λειτουργία για μεγαλύτερα διαστήματα σε θερμό περιβάλλον.
- Το ψυγείο μπορεί να έχει μόλις συνδεθεί στην πρίζα ή φορτωθεί με τρόφιμα. >>>Χρειάζεται περισσότερος χρόνος για να φθάσει το προϊόν τη ρυθμισμένη θερμοκρασία αν έχει μόλις συνδεθεί στην πρίζα ή φορτωθεί με τρόφιμα. Αυτό είναι φυσιολογικό.
- Μπορεί πρόσφατα να τοποθετήθηκαν στο ψυγείο μεγάλες ποσότητες ζεστού φαγητού. >>>Μην τοποθετείτε μέσα στο ψυγείο ζεστά τρόφιμα.
- Ίσως να ανοίγονταν συχνά οι πόρτες της συσκευής ή να παρέμειναν μισάνοιχτες για μεγάλο χρονικό διάστημα. >>>Ο θερμός αέρας που εισέρχεται στο ψυγείο το κάνει να είναι σε ενεργή λειτουργία για μεγαλύτερο χρονικό διάστημα. Μην ανοίγετε τις πόρτες της συσκευής συχνά.
- Η πόρτα του θαλάμου κατάψυξης ή συντήρησης μπορεί να παρέμεινε μισάνοιχτη. >>>Ελέγξτε αν οι πόρτες της συσκευής έχουν κλείσει καλά.
- Η συσκευή μπορεί να έχει ρυθμιστεί σε πολύ χαμηλή θερμοκρασία. >>> Ρυθμίστε τη θερμοκρασία του ψυγείου σε υψηλότερη τιμή και περιμένετε να επιτύχει το προϊόν αυτή τη θερμοκρασία.
- Η στεγανοποίηση πόρτας του θαλάμου συντήρησης ή κατάψυξης μπορεί να είναι λερωμένη, φθαρμένη, σπασμένη ή να μην έχει εδράσει σωστά. >>> Καθαρίστε ή αντικαταστήστε τη στεγανοποίηση. Αν υπάρχει ζημιά/ θραύση στη στεγανοποίηση της πόρτας, μπορεί να προκληθεί ενεργή λειτουργία του ψυγείου για μεγαλύτερο χρονικό διάστημα για να διατηρείται η τρέχουσα θερμοκρασία.

Η θερμοκρασία συντήρησης είναι επαρκής, αλλά η θερμοκρασία της κατάψυξης είναι πολύ χαμηλή.

- Η θερμοκρασία του θαλάμου κατάψυξης μπορεί να έχει ρυθμιστεί σε πολύ χαμηλή τιμή. >>> Ρυθμίστε τη θερμοκρασία του θαλάμου κατάψυξης σε υψηλότερη τιμή και ελέγξτε.

Η θερμοκρασία κατάψυξης είναι επαρκής, αλλά η θερμοκρασία συντήρησης είναι πολύ χαμηλή.

- Η θερμοκρασία του θαλάμου συντήρησης έχει ρυθμιστεί σε πολύ χαμηλή τιμή. >>> Ρυθμίστε τη θερμοκρασία συντήρησης σε υψηλότερη τιμή και ελέγξτε.

Τα τρόφιμα που φυλάσσονται στα συρτάρια του θαλάμου συντήρησης είναι παγωμένα.

- Η θερμοκρασία του θαλάμου συντήρησης μπορεί να έχει ρυθμιστεί σε πολύ υψηλή τιμή. >>> Ρυθμίστε τη θερμοκρασία του θαλάμου συντήρησης σε χαμηλότερη τιμή και ελέγξτε.

Αντιμετώπιση προβλημάτων

Η θερμοκρασία στη συντήρηση ή στην κατάψυξη είναι πολύ υψηλή.

- Η θερμοκρασία του θαλάμου συντήρησης μπορεί να έχει ρυθμιστεί σε πολύ υψηλή τιμή. >>> Η θερμοκρασία του θαλάμου συντήρησης έχει επίδραση στη θερμοκρασία της κατάψυξης. Αλλάξτε τη θερμοκρασία του θαλάμου συντήρησης ή κατάψυξης έως ότου η θερμοκρασία του θαλάμου συντήρησης ή κατάψυξης φθάσει σε επαρκές επίπεδο.
- Ίσως να ανοίγονταν συχνά οι πόρτες της συσκευής ή να παρέμειναν μισάνοιχτες για μεγάλο χρονικό διάστημα. >>>Μην ανοίγετε τις πόρτες της συσκευής συχνά.
- Η πόρτα της συσκευής μπορεί να έχει παραμείνει μισάνοιχτη. >>>Κλείστε την πόρτα της συσκευής καλά.
- Το ψυγείο μπορεί να έχει μόλις συνδεθεί στην πρίζα ή φορτωθεί με τρόφιμα. >>>Αυτό είναι φυσιολογικό. Χρειάζεται περισσότερος χρόνος για να φθάσει το προϊόν τη ρυθμισμένη θερμοκρασία αν έχει μόλις συνδεθεί στην πρίζα ή φορτωθεί με τρόφιμα.
- Μπορεί πρόσφατα να τοποθετήθηκαν στο ψυγείο μεγάλες ποσότητες ζεστού φαγητού. >>>Μην τοποθετείτε μέσα στο ψυγείο ζεστά τρόφιμα.

Κραδασμοί ή θόρυβος.

- Ίσως το δάπεδο να μην είναι σταθερό ή οριζόντιο. >>>Αν το προϊόν ταλαντεύεται όταν το μετακινείτε ελαφρά, ρυθμίστε τα πόδια του για να το ισορροπήσετε. Βεβαιωθείτε ότι το δάπεδο είναι οριζόντιο και ικανό να φέρει το βάρος του ψυγείου.
- Αντικείμενα τοποθετημένα πάνω στο ψυγείο μπορεί να προκαλούν θόρυβο. >>>Αφαιρέστε τα αντικείμενα από πάνω από το ψυγείο.

Έρχονται θόρυβοι από το ψυγείο σαν να χύνεται ή να ψεκάζεται υγρό.

- Στο κύκλωμα ψύξης λαμβάνει χώρα ροή υγρού και αερίου σύμφωνα με την αρχή ψύξης του ψυγείου. >>>Αυτό είναι φυσιολογικό και δεν αποτελεί βλάβη.

Ακούγεται ήχος συριγμού από το ψυγείο.

- Υπάρχουν ανεμιστήρες που χρησιμοποιούνται για την ψύξη του ψυγείου. Αυτό είναι φυσιολογικό και δεν αποτελεί βλάβη.

Συσσωρεύεται ατμός στα εσωτερικά τοιχώματα του ψυγείου.

- Ο θερμός και υγρός καιρός αυξάνει τη συσσώρευση πάγου και τη συμπύκνωση. Αυτό είναι φυσιολογικό και δεν αποτελεί βλάβη.
- Ίσως να ανοίγονταν συχνά οι πόρτες της συσκευής ή να παρέμειναν μισάνοιχτες για μεγάλο χρονικό διάστημα. >>>Μην ανοίγετε τις πόρτες της συσκευής συχνά. Κλείστε τις πόρτες της συσκευής, αν είναι ανοικτές.
- Η πόρτα της συσκευής μπορεί να έχει παραμείνει μισάνοιχτη. >>>Κλείστε την πόρτα της συσκευής καλά.

Εμφανίζεται υγρασία στην εξωτερική επιφάνεια του ψυγείου ή ανάμεσα στις πόρτες της συσκευής.

- Ο αέρας μπορεί να είναι υγρός. Αυτό είναι πολύ φυσιολογικό σε καιρικές συνθήκες με υγρασία. >>>Η συμπύκνωση θα πάψει να εμφανίζεται όταν μειωθεί το επίπεδο υγρασίας.
- Ίσως να υπάρχει εξωτερική συμπύκνωση στο τμήμα ανάμεσα στις δύο πόρτες του ψυγείου αν χρησιμοποιείτε το προϊόν σπάνια. Αυτό είναι φυσιολογικό. Η συμπύκνωση θα πάψει να εμφανίζεται όταν χρησιμοποιείται συχνά το προϊόν.

Αντιμετώπιση προβλημάτων

Υπάρχει δυσάρεστη οσμή μέσα στο ψυγείο.

- Κως να μην έχει γίνει τακτικός καθαρισμός. Καθαρίστε το εσωτερικό του ψυγείου, με ένα σφουγγάρι, χλιαρό νερό ή νερό με σόδα.
- Ορισμένοι περιέκτες ή υλικά συσκευασίας μπορεί να προκαλούν αυτή την οσμή. >>>Χρησιμοποιήστε διαφορετικούς περιέκτες ή υλικά συσκευασίας άλλης μάρκας.
- Τρόφιμα ίσως έχουν τοποθετηθεί στο ψυγείο σε δοχεία χωρίς καλύμματα. >>>Φυλάσσετε τα τρόφιμα μέσα σε κλειστούς περιέκτες. Οι μικροοργανισμοί που μεταδίδονται από δοχεία χωρίς καπάκι μπορεί να προκαλέσουν δυσάρεστες οσμές.
- Αφαιρείτε από το ψυγείο τρόφιμα που έχουν λήξει ή αλλοιωθεί.

Η πόρτα της συσκευής δεν μπορεί να κλείσει.

- Οι συσκευασίες των τροφίμων μπορεί να εμποδίζουν την πόρτα να κλείσει. >>>Αλλάξτε θέση στις συσκευασίες που εμποδίζουν την πόρτα.
- Ίσως το ψυγείο να μη στηρίζεται σταθερά στο δάπεδο. >>>Ρυθμίστε τα πόδια του ψυγείου για να διατηρήσετε το ψυγείο σε ισορροπία.
- Το δάπεδο μπορεί να μην είναι επίπεδο ή σταθερό. >>>Βεβαιωθείτε ότι το δάπεδο είναι οριζόντιο και ικανό να φέρει το βάρος του ψυγείου.

Τα συρτάρια λαχανικών έχουν φρακάρει.

- Τρόφιμα μπορεί να έρχονται σε επαφή με το πάνω τοίχωμα του συρταριού λαχανικών. >>>Αλλάξτε τις θέσεις των τροφίμων μέσα στο συρτάρι λαχανικών.

Αν η επιφάνεια του προϊόντος είναι ζεστή.

Μπορεί να παρατηρούνται υψηλές θερμοκρασίες ανάμεσα στις δύο πόρτες της συσκευής, στα πλευρικά πλαίσια και στην πίσω σχάρα, όταν είναι σε ενεργή λειτουργία το προϊόν. Αυτό είναι φυσιολογικό και δεν σημαίνει ότι χρειάζεται σέρβις!

Ο ανεμιστήρας συνεχίζει να λειτουργεί όταν η πόρτα της συσκευής είναι ανοιχτή.

Ο ανεμιστήρας μπορεί να συνεχίζει να λειτουργεί όταν είναι ανοικτή η πόρτα της κατάψυξης.



ΠΡΟΕΙΔΟΠΟΙΗΣΗ: Αν δεν μπορείτε να εξαλείψετε το πρόβλημα παρόλο που ακολουθείτε τις οδηγίες στην ενότητα αυτή, απευθυνθείτε στο συνεργαζόμενο αντιπρόσωπο ή στον Εξουσιοδοτημένο πάροχο σέρβις. Σε καμία περίπτωση μην επιχειρήσετε να επισκευάσετε μόνοι σας μια συσκευή που παρουσιάζει δυσλειτουργία.

ΑΠΟΠΟΙΗΣΗ ΕΥΘΥΝΗΣ / ΠΡΟΕΙΔΟΠΟΙΗΣΗ

Ορισμένα (απλά) προβλήματα μπορούν να αντιμετωπιστούν ικανοποιητικά από τον τελικό χρήστη χωρίς να προκύπτει κάποιο πρόβλημα ασφάλειας ή μη ασφαλής χρήση, εφόσον οι διορθωτικές ενέργειες πραγματοποιούνται μέσα στα όρια και σύμφωνα με τις οδηγίες που ακολουθούν (δείτε την ενότητα "Εξ ιδίων επισκευή").

Επομένως, εκτός αν επιτρέπεται διαφορετικά στην παρακάτω ενότητα "Εξ ιδίων επισκευή", οι επισκευές θα πρέπει να ανατίθενται σε αναγνωρισμένους επαγγελματίες τεχνικούς επισκευών, ώστε να αποφεύγονται προβλήματα με την ασφάλεια. Ένας αναγνωρισμένος επαγγελματίας τεχνικός επισκευών είναι ένας επαγγελματίας τεχνικός επισκευών στον οποίο έχει δοθεί από τον κατασκευαστή πρόσβαση στις οδηγίες και στη λίστα ανταλλακτικών του προϊόντος σύμφωνα με τις μεθόδους που περιγράφονται σε νομοθετικές πράξεις με βάση την Οδηγία 2009/125/EK.

Ωστόσο, μόνο ο εκπρόσωπος σέρβις (δηλ. εξουσιοδοτημένοι επαγγελματίες τεχνικοί επισκευών) με τον οποίο μπορείτε να επικοινωνήσετε μέσω του αριθμού τηλεφώνου που αναφέρεται στο εγχειρίδιο χρήσης/στην κάρτα εγγύησης ή μέσω του τοπικού σας εξουσιοδοτημένου καταστήματος μπορεί να παρέχει σέρβις σύμφωνα με τους όρους της εγγύησης. Επομένως, έχετε υπόψη σας ότι οι επισκευές από επαγγελματίες τεχνικούς επισκευών (οι οποίοι δεν είναι εξουσιοδοτημένοι από τη Beko) θα καταστήσουν άκυρη την εγγύηση.

Εξ ιδίων επισκευή

Εξ ιδίων επισκευή μπορεί να γίνει από τον τελικό χρήστη σε σχέση με τα εξής ανταλλακτικά: λαβές πόρτας,

μεντεσέδες πόρτας, δίσκους, καλάθια, και στεγανοποιήσεις πόρτας (μια ενημερωμένη λίστα είναι διαθέσιμη και στο support.beko.com από 1η Μαρτίου 2021).

Επιπλέον, για τη διασφάλιση της ασφάλειας των προϊόντων και για την αποτροπή κινδύνου σοβαρού

τραυματισμού, η αναφερθείσα εξ ιδίων επισκευή θα γίνεται με τήρηση των οδηγιών στο εγχειρίδιο χρήστη σχετικά με την εξ ιδίων επισκευή ή των οδηγιών που είναι διαθέσιμες στο support.beko.com. Για την ασφάλειά σας, αποσυνδέστε από την πρίζα το προϊόν πριν επιχειρήσετε οποιαδήποτε εξ ιδίων επισκευή.

Επισκευή και προσπάθειες επισκευής από τελικούς χρήστες για εξαρτήματα που δεν περιλαμβάνονται σε μια τέτοια λίστα και/ή χωρίς τήρηση των οδηγιών στα εγχειρίδια χρήστη για εξ ιδίων επισκευή ή οι οποίες είναι διαθέσιμες στο support.beko.com, μπορεί να δημιουργήσουν προβλήματα ασφάλειας που δεν μπορούν να αποδοθούν στη Beko, και θα ακυρώσουν την εγγύηση του προϊόντος. Επομένως, συνιστάται θερμά οι τελικοί χρήστες να απέχουν από προσπάθειες διενέργειας επισκευών που δεν εμπίπτουν στην αναφερθείσα λίστα ανταλλακτικών, απευθυνόμενοι σε αυτές τις περιπτώσεις σε εξουσιοδοτημένους επαγγελματίες τεχνικούς επισκευών ή σε αναγνωρισμένους επαγγελματίες τεχνικούς επισκευών. Αντιθέτως, τέτοιου είδους προσπάθειες από τελικούς χρήστες μπορεί να προκαλέσουν προβλήματα ασφάλειας και να προξενήσουν ζημιά στο προϊόν και συνεπώς να προκαλέσουν πυρκαγιά, πλημμύρα, ηλεκτροπληξία και σοβαρό τραυματισμό.

Για παράδειγμα, αλλά χωρίς περιορισμό σε αυτές, οι ακόλουθες επισκευές πρέπει να ανατίθενται σε εξουσιοδοτημένους επαγγελματίες τεχνικούς επισκευών ή σε αναγνωρισμένους επαγγελματίες τεχνικούς επισκευών: συμπίεστής, ψυκτικό κύκλωμα, κύρια πλακέτα, πλακέτα αντιστροφή, πλακέτα θόνης κλπ.

Ο κατασκευαστής/πωλητής δεν μπορεί να θεωρηθεί υπεύθυνος σε καμία περίπτωση μη συμμόρφωσης των τελικών χρηστών με τα οριζόμενα παραπάνω.

Ο χρόνος διαθεσιμότητας ανταλλακτικών για το ψυγείο ψυγείου σας ανέρχεται σε 10 έτη. Στη διάρκεια αυτής της περιόδου, θα υπάρχουν διαθέσιμα γνήσια ανταλλακτικά για τη σωστή λειτουργία του ψυγείου.

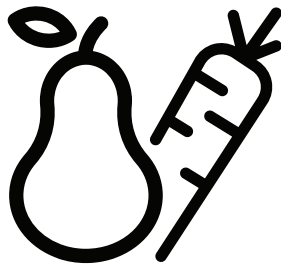
Η ελάχιστη διάρκεια της εγγύησης του ψυγείου που προμηθευτήκατε είναι 24 μήνες.

Αυτό το προϊόν είναι εξοπλισμένο με φωτεινή πηγή ενεργειακής κλάσης "G".

Η φωτεινή πηγή στο προϊόν αυτό θα πρέπει να αντικαθίσταται μόνο από επαγγελματίες επισκευαστές.



Ладилник
Упатство за корисникот
Frižider
Уpute за uporabu



RCNE560E40ZXPН - RCNE560E40DSN - RCNE560E60ZXRN -
RCNE560E60ZXPН - KG560E50ZXPCHN



MK / BS /

58 5031 0000/AK

4/6

Ве молиме, прочитајте го овој прирачник пред да го користите производот!

Почитувам потрошувачу,

Би сакале да го користите најдобро што може нашиот производ кој е грижливо направен во модерни простории и со строги контроли на квалитетот.





Затоа, Ве советуваме да го прочитате целото упатство за употреба пред да го користите производот. Во случај да му го дадете производот на некој друг, не заборавајте да му го дадете упатството на новиот сопственик заедно со производот.








Ова упатство ќе Ви помогне да го користите производот брзо и безбедно.

- Ве молиме, прочитајте го внимателно упатството за употреба пред да го инсталирате и да го користите производот.
- Секогаш придржувајте се до важечките безбедносни упатства.
- Чувајте го упатството за употреба на дофат за идна употреба.
- Ве молиме, прочитајте ги сите други документи дадени со производот.

Имајте предвид дека ова упатство за употреба може да важи за повеќе модели на производи.

Упатството јасно укажува на варијациите на разните модели.




	Важни информации и корисни совети.
	Ризици за животот и за имотот.
	Ризик од струен удар.
	Пакувањето на производот е направено од материјали што може да се рециклираат, во согласност со националното законодавство за животна средина.

	ИНФОРМИИ
	ENERGY
	Информациите за моделот се чуваат во базата на податоци и до нив можете да стигнете ако одите на следнава веб-локација и да го побарате идентификаторот на вашиот модел (*) кој се наоѓа на налепницата за енергија.
SUPPLIER'S NAME 	MODEL IDENTIFIER (*) 
	
	https://eprel.ec.europa.eu/

1. Безбедност и упатства за животната средина	3	5.14. Чистење на водниот резервоар	23
1.1. Општа безбедност	3	5.15. Послужавник за капење.	24
1.1.1 НС-предупредување	7	5.16. Кутија за зачини/Свежи зачини (HerbBox/ HerbFresh).	24
1.1.2 За модели со чешма за вода	7	5.17. Замрзнување свежа храна	25
1.2. Наменета употреба	8	5.18. Препораки за чување на смрзната храна.	25
1.3. Безбедност во однос на деца.	8	5.19. Детали за за длабоко замрзнување . .	26
1.4. Усогласеност со Директивата за отпадна електрична и електронска опрема и ослободување од отпадни производи .	8	5.20. Ставање на храната	26
1.5. Усогласеност со Директивата за ограничување опасни супстанции	9	5.21. Предупредување за отворена врата .	26
1.6. Информации за пакувањето.	9	5.22. Менување на насоката на отворање на вратата	26
2 Вашиот фрижидер	10	5.23. Внатрешно светло	26
3 Инсталација	11	5.24. Сино светло/HarvestFresh (Тазе набрано)	27
3.1. Вистинско место за инсталирање	11	5.25. Менување на светилката за осветлување	27
3.2. Прицврстување на пластичните делови	11	6 Одржување и чистење	28
3.3. Приспособување на садот	11	6.1. Избегнување на лоши мириси	28
3.4. Поврзување во струја	12	6.2. Заштита на пластичните површини . .	28
4 Подготовка	13	6.3. Стаклото на вратата	28
4.1. Што да правите за заштеда на енергија	13	7 Решавање проблеми	30
4.2. Прва употреба	13		
5 Користење на производот	14		
5.1. Панел со индикатори	14		
5.2. Кофа за мраз	18		
5.3. Сад на јајца	18		
5.4. Вентилатор	18		
5.5. Корпа за зеленчуци	18		
5.6. Корпата за млечни производи(за чување на ладно)	18		
5.7. Подвижна рамка на вратата.	19		
5.8. Лизгачка кутија за складирање	19		
5.9. Корпа за зеленчук со контрола на влажност	20		
5.10. Автоматска машина за мраз	20		
5.11. Ледомат и сад за чување мраз	21		
5.12. Користење на чешмата за вода	21		
5.13. Полнење на резервоарот на чешмата за вода	22		

Овој дел дава безбедносни упатства потребни за спречување на ризик од повреда и материјална штета. Непочитувањето на овие упатства ги поништува сите видови гаранции за производот.

Наменета употреба

	<p>ПРЕДУПРЕДУВАЊЕ: Пред отворите за вентилација во затворениот дел на уредот или во вградената структура да нема никакви пречки.</p>
	<p>ПРЕДУПРЕДУВАЊЕ: Не користете механички уреди или други средства за забрзување на процесот на топење, освен оние препорачани од производителот.</p>
	<p>ПРЕДУПРЕДУВАЊЕ: Не оштетувајте го разладувачкото коло.</p>



ПРЕДУПРЕДУВАЊЕ:

Не користете струјни уреди во одделите за складирање на храна на уредот, освен ако не се од вид препорачан од производителот.

Уредот е наменет да се користи во домаќинството и слично, како што се:

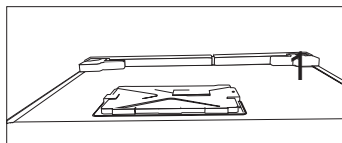
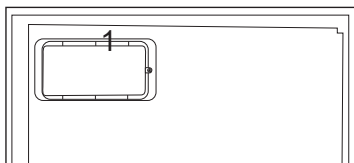
- кујни за персоналот во продавници, канцеларии и други работни средини;
- фарми и од клиенти во хотели, мотели и други станбени средини;
- пансиони и слични средини;
- кејтеринг и слични немалопродажни примени.

1.1. Општа безбедност

- Овој производ не треба да го користат лица со физички, сензорни и ментални пречки, без доволно знаење и искуство или деца. Уредот тие лица може да го користат само под надзор и водство на лице задолжено за нивната безбедност. На деца не смее да им се дозволува да играат во овој уред.

Безбедност и упатства за животната средина

- Во случај на неправилно работење, извадете ја приклучницата на уредот од струја.
- Откако ќе ја извадите приклучницата од струја, почекајте најмалку 5 минути пред да ја вклучите повторно.
- Извадете ја приклучницата кога не се користи уредот.
- Не допирајте го кабелот со мокри раце! Не влечете го кабелот за да ја извадите приклучницата, секогаш држете ја.
- Не вклучувајте го штекерот на фрижидерот во струја ако штекерот е лабав.
- Издавате ја приклучницата на производот во текот на инсталирањето, одржувањето, чистењето и поправањето.
- Ако нема да го користите извесно време производот, извадете ја приклучницата од струја и извадете ја храната однатре.
- Не користете го производот кога е отворен одделот со колни картички кој се наоѓа на горниот заден дел од производот (поклопец на кутијата на електричната картичка) (1).



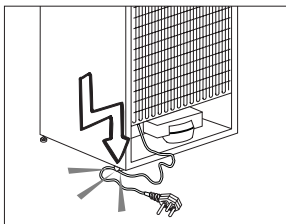
- Не користете пара или средства за чистење во облик на пареа за чистење на фрижидерот и за топење на мразот внатре. Пареата може да дојде во контакт со деловите со струја и да предизвика краток спој или струен удар!
- Не чистете го производот со шприцање или истурање вода на него! Ризик од струен удар!
- Во случај на неправилно работење, не користете го производот, може

Безбедност и упатства за животната средина

- да предизвика струен удар. Контактирајте го овластениот сервис пред да направите што било.
- Вклучете го приклучокот во приземјен штекер. Приземјувањето мора да го направи квалификуван електричар.
- Ако производот има осветлување LED, контактирајте го овластениот сервис за замена или во случај да има некаков проблем.
- Не допирајте смрзната храна со мокри раце! Може да Ви се залепи за рацете!
- Не ставајте течности во шишиња и лименки во одделеот за замрзнување. Може да пукнат и да истечат!
- Ставете ги течностите во исправена позиција откако цврсто ќе го затворите капакот.
- Не шприцајте запаливи супстанции близу производот, може да изгори или да експлодира.
- Не чувајте запаливи материјали или производи со запалив гас (спрејови итн.) во фрижидерот.
- Не ставајте садови со течност врз производот. Прскањето вода на дел во кој има струја може да предизвика струен удар или ризик од пожар.
- Изложувањето на производот на дожд, снег, сончева светлина или ветар ќе предизвикаат опасност од електричен инцидент. Кога го преместувате производот, не го влечете за рачката на вратата. Рачката може да се извади.
- Внимавајте да не фатете дел од рацете или телото во некој од подвижните делови во производот.
- Не се качувајте или потпирајте се на вратата, фиоките или слични делови од фрижидерот. Ова ќе предизвика производот да падне и ќе предизвика оштетување на деловите.

Безбедност и упатства за животната средина

- Внимавајте да не го згазите кабелот за струја.
- При поставување на уредот, осигурете дека кабелот за напојување не е прекинат или оштетен.
- Не поставувајте повеќе преносни штекери или преносни напојувања на задниот дел од уредот.



- Деца на возраст од 3 до 8 година можат да ги полнат и празнат разладните уреди.
- За да се избегне контаминација, Ве молиме почитувајте ги следните упатства:
- Отворањето врата на подолги временски периоди може да предизвика значително зголемување на температурата во деловите од уредот.

- Чистете ги редовно површините кои можат да дојдат во допир со храна и достапните системи за одвод.
- Чистете ги резервоарите со вода што не сте ги користеле 48 часа; исклучете го системот за вода поврзан со доводот на вода ако водата не е исцедена 5 дена.
- Складирајте сирова храна и риба во соодветните садови во фрижидерот, така што нема да дојдат во допир со или да прокапуваат на друга храна.
- Деловите со две ѕвезди се соодветни за складирање претходно смрзната храна, складирање и правење сладолед
- и правење коцки мраз.
- Деловите со една, две или три ѕвезди не се соодветни за смрзнување на свежа храна.
- Ако разладниот уред е оставен празен подолго време, исклучете го,

одмрзнете, исчистете, исушете и оставете

- ја вратата отворена за да спречите создавање мувла во уредот.

1.1.1 НС-предупредување

Ако производот има систем за ладење со R600a гас, внимавајте да не го оштетувате системот за ладење и цевката додека го користите и движите производот. Овој гас е запалив. Ако е општетен системот за ладење, чувајте го производот подалеку од извори на оган и извентилирајте ја веднаш собата.



Етикетата на внатрешната лева стана означува каков вид гас е користен во производот.

1.1.2 За модели со чешма за вода

- Притисокот за внес на студена вода треба да биде најмногу 90 psi (620 kPa). Ако притисокот на водата надминува 80 psi (550 kPa), користете

вентил за ограничување на притисокот во главната мрежа. Ако не знаете како да го проверите водниот притисок, побарајте помош од професионален водоводџија.

- Ако постои ризик од воден удар во инсталацијата, секога користете опрема за спречување на воден удар во вашата инсталација. Консултирајте професионални водоводџии ако не сте сигури дека нема ефект на воден удар во инсталацијата.
- Не инсталирајте на влезот за топла вода. Преземете мерки против ризикот од смрзнување на цревата. Оперативниот интервал на температурата на водата треба да биде 33°F (0,6°C) минимум и 100°F (38°C) максимум.
- Користете само вода за пиење.

Безбедност и упатства за животната средина

1.2. Наменета употреба

- Производот е наменет за домашна употреба. Не е наменет за комерцијална употреба.
- Производот треба да се користи само за складирање на храна и пијалаци.
- Не користете чувствителни поризводи на кои им требаат контролирани температури (вакцини, лекови чувствителни на топлина, медицински резерви итн.) во фрижидерот.
- Производителот не презема никаква одговорност за оштетување поради неправилна употреба или неправилно ракување.
- Оригиналните резервни делови ќе имате за 10 години по датумот на купување на производот.

1.3. Безбедност во однос на деца

- Чувајте ги подалеку од децата материјалите за пакување.

- Не дозволувајте им на децата да си играат со производот.
- Ако вратата на производот има клуч, чувајте го клучот подалеку од децата.

1.4. Усогласеност со Директивата за отпадна електрична и електронска опрема и ослободување од отпадни производи

Овој производ е во согласност со Директивата на ЕУ за отпадна електрична и електронска опрема (2012/19/EU). Овој производ има симбол за класификација за отпадна електрична и електронска опрема (Директивата за отпадна електрична и електронска опрема).



Овој производ е направен со висококвалитетни делови и материјали што може да се користат повторно и што се соодветни за рециклирање.

Кога ќе дотрае, не се ослободувајте од отпадниот производ во нормалниот домашен отпад и други отпади. Однесете го во пункт за собирање за рециклирање на електрична и електронска опрема. Ве молиме, консултирајте ги локалните власти за да дознаете за овие собирни пунктови.

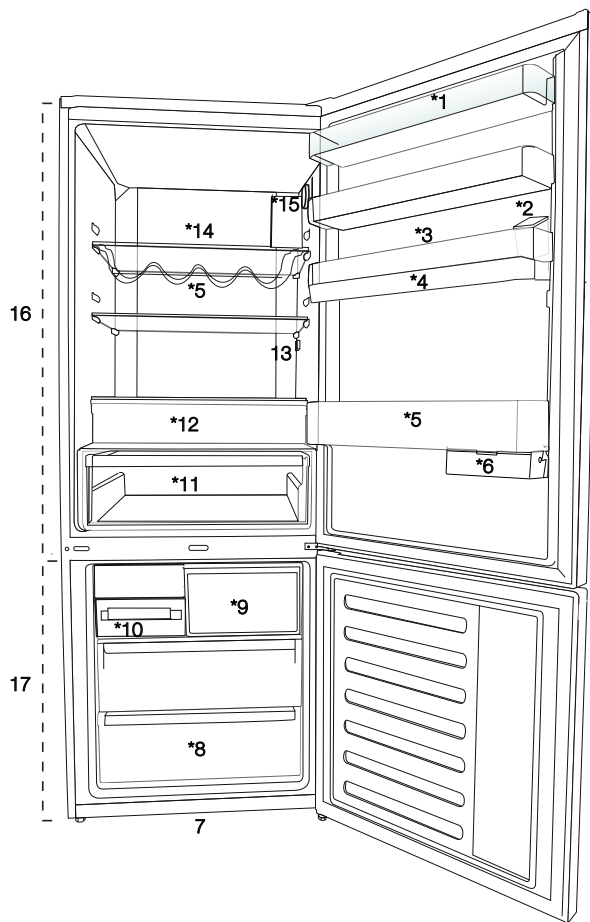
1.5. Усогласеност со Директивата за ограничување опасни супстанции

- Овој производ е во согласност со Директивата на ЕУ за отпадна електрична и електронска опрема (2011/65/EU). Не содржи штетни или забранети материјали наведени во Директивата.

1.6. Информации за пакувањето

- Материјалите за пакување на производот се произведени од материјали за рециклирање според нашите национални регулативи за животната средина. Не се одлободувајте од материјалите за пакување заедно со домашниот или други отпади. Однесете ги во пунктот за собирање материјали за пакување определени од локалните власти.

2 Вашиот фрижидер



1. Рафт на вратата на одделот за ладење
2. Резервоар за полнење на чешмата за вода
3. Дел за јајца
4. Резервоар на чешмата за вода
5. Рафт за шишиња
6. Лизгачка кутија за складирање
7. Приспособливи ногалки
8. Оддел за длабоко замрзнување
9. Оддел за брзо замрзнување
10. Послужавник за коцки мраз и резервоар за мраз
11. Корпа за зеленчуци
12. Корпата за млечни производи (за чување на ладно)
13. Внатрешно светло
14. Стаклен рафт на вратата на одделот за ладење
15. Копче за приспособување на температурата
16. Оддел за ладење
17. Оддел за замрзнување






***по избор:** Сликите во овој прирачник се дадени како слики за пример и може да не се исти како вашиот производ. Ако вашиот производ не ги содржи релевантните делови, информациите се однесуваат на други модели.

3 Инсталација

3.1. Вистинско место за инсталирање

Контактирајте го овластениот сервис за инсталирање на производот. За да го подготвите поризводот за инсталирање, погледнете ги информациите во упатството за употреба и проверете дали електричните и водните уреди се како што треба. Ако не се, повикајте електричар и водоводчија да ги наместата уредите како што треба.

	ПРЕДУПРЕДУВАЊЕ: Производителот не презема никаква одговорност за каква било штета предизвикана со работата која ја изведуваат неовластени лица.
	ПРЕДУПРЕДУВАЊЕ: Електричниот кабел на производот мора да е исклучен за време на инсталирањето. Ако не го направите тоа, може да дојде со смрт или сериозни повреди!
	ПРЕДУПРЕДУВАЊЕ: Ако ширината на вратата е премногу тесна за да помине производот, озвадете ја вратата и свртете го производот странично; ако ова не функционира, контактирајте овластен сервис.

- Ставете го производот на рамна површина за да нема вибрации.
- Ставете го производот најмалку 30 см подалеку од грејачот, шпоретот и слични извори на топлина и најмалку 5 см од електрични рерни.
- Не изложувајте го производот на директна сончева светлина и не го чувајте во влажна средина.
- На производот му треба соодветна воздушна циркулација за да функционира ефикасно.
- Ако производот се става во вдлабнатина во сидот, не заборавајте да оставите растојание од најмалку 5 см помеѓу производот и плафонот и сидовите.
- Не инсталирајте го производот во средина во која температурите се под -5°C .

- За да функционира ефикасно, на овој производ му треба соодветна циркулација на воздух. Ако го сместувате производот во ниша, оставете најмалку 5 сантиметри простор помеѓу производот, плафонот и сидовите.
- Ако го сместувате производот во ниша, оставете најмалку 5 сантиметри простор помеѓу производот, плафонот и сидовите. Проверете дали заштитната компонентата за обезбедување оддалеченост од сид е на своето место (ако е доставена со производот). Ако компонентата не е достапна или ако се изгубила/паднала, ставете го производот така што ќе има најмалку 5 сантиметри меѓу производот и сидовите на собата. Растојанието на задниот дел е важно за ефикасното работење на производот.

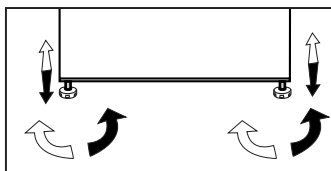
3.2. Прицврстување на пластичните делови

Со пластините делови дадени со производот за да обезбедите доволно простор за воздушна циркулација помеѓу производот и сидот.




1. Да да ги прикачите деловите, извадете ги завртките на производот и користете ги завртките обезбедени со деловите.
2. Прикачете 2 пластични делови на поклопецот на вентилацијата, како што е прикажано на сликата.

3.3. Приспособување на садот


Ако производот не е во балансирана позиција, приспособете ги предните приспособливи држачи со ротирање десно или лево.



3.4. Поврзување во струја

	<p>ПРЕДУПРЕДУВАЊЕ: Не користете продолжителни или повеќе штекери при поврзување во струја.</p>
	<p>ПРЕДУПРЕДУВАЊЕ: Оштетениот струен кабел мора да го замени овластениот сервис.</p>
	<p>Кога ставате два ладилника еден наспроти друг, оставете најмалку 4 см растојание помеѓу двете единици.</p>

- Нашата фирма не може да преземе одговорност за оштетувања поради користење без заземјување и електрична врска во согласност со националните регулативи.
- Приклучокот на кабелот за струја мора да е лесно достапен по инсталирањето.
- Поврзете го фрижидерот во заземјен штекер со волтажа од 220-240V/50 Hz. Приклучокот мора да е 10-16A осигурувач.
- Не користете групни штекери со или без продолжен кабел помеѓу сидниот штекер и фрижидерот.

	<p>Предупредување за врела содржина! Во страничните сидови на производот има цевки за разладување што го подобруваат системот за ладење. Разладувачка течност со високи температури може да тече низ овие овие области, правејќи ги деловите на страничните сидови врели. Ова е нормално и нема потреба да се поправа. Ве молиме, внимавајте кога ги допирате овие области.</p>
---	---

4.1. Што да правите за заштеда на енергија

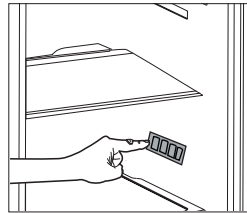


Поврзувањето на производот за електронски системи за заштеда на енергија е штетно, може да го оштети производот.

- Самостоен уред; „овој фрижидер не е наменет да се користи како уред за вградување“;
- Не држете ги вратите на фрижидерот отворени долго време.
- Не ставајте топла храна или пијалаци во фрижидерот.
- Не преполнувајте го фрижидерот, блокирањето на интерниот проток на воздух ќе го намали капацитетот на ладење.
- За да се чува максимална количина на храна во одделеот за ладење на фрижидерот, треба да ги извадите горните фиоки и да ја ставите на стаклениот рафт. Наведената потрошувачка на струја на вашиот фрижидер беше определена со вадење на ладилникот, послужавникот за мраз и горните фиоки за да се овозможи максимално складирање. Строго се препорачува да се користи долната фиока при чување. Треба да се активира функцијата за заштеда на енергија за најдобра потрошувачка на енергија.
- Не треба да го блокирате протокот на воздух со ставање на храна пред вентилаторот на ладилникот. Простор од најмалку 3 см мора да се остави пред заштитната жица на вентилаторот кога ја ставате храната.
- Во зависност од карактеристиките на производот; одмрзнувањето на замрзната храна во одделот за ладење ќе обезбеди заштеда на енергија и зачувување на квалитетот на храната.
- Храната треба да се чува со фиоките во одделот за ладење за да се обезбеди заштеда на енергијата и да се заштити храната во подобри услови.
- Пакувањата храна не треба да бидат во директен контакт со топлинскиот сензор Фрижидер/Упатство за употреба

лоциран во одделот за ладење. Ако тие се во контакт со сензорот, може да се зголеми енергетската потрошувачка на уредот.

- Проверете храната да не е во контакт со температурниот сензор на одделот за ладење опишан подолу.
- Бидејќи топлиот и влажен воздух директно не навлегуваат во вашиот производ кога вратите не се отворени, вашиот производ ќе се оптимизира во услови доволни за заштита на вашата храна. Во оваа функција за зачувување енергија, функциите и составните делови како компресор, вентилатор, грејач, замрзнувач, осветлување, дисплеј ќе работат и други, ќе работат во согласност со потребите за трошење минимална електрична енергија и истовремено вашата храна ќе биде свежа.



4.2. Прва употреба

Пред да го користите фрижидерот, проверете дали се направени потребните подготовки според упатствата во деловите „Упатства за безбедноста и за средината“ и „Инсталација“.

- Производот нека работи без храна во него 6 часа и не отворајте ја вратата, освен ако не е баш неопходно.



Ќе се слушне звук кога работи компресорот. Нормално е да се слуша звук дури и компресорот е неактивен, поради компримираните течности и гасови во системот за ладење.



Може да се загреат предните рабови на производот. Ова е нормално. Овие области се дизајнирани да се загреат за да се спречи кондензирање.

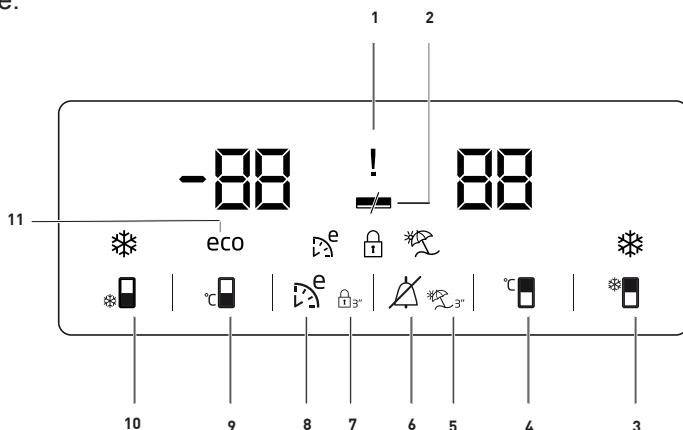


Во некои модели, плочата со панели автоматски се исклучува 5 минути откако ќе се затвори вратата. Ќе се реактивира кога ќе се отвори вратата или ќе се притисне кое било копче.

5 Користење на производот

5.1. Панел со индикатори

Панелот со индикаторите ви овозможува да ги поставите температурата и контролата врз другите функции поврзани со производот без да ја отворате вратата. Само притиснете на сликите за соодветните копчиња кај поставките за функциите.



1. Снемување струја / Висока температура / Индикатор за статус на грешка

Овој индикатор (!) светнува во случај на снемување струја, висока температура или предупредување за грешка.

Кога температурата на одделот за замрзнување ќе се загрее до критично ниво за замрзната храна, максималната вредност која ја достигнува температурата во одделот за замрзнување трепери на дигиталниот индикатор.

Проверете ја храната во одделот за замрзнување.

Не се работи за грешка во работата.

Предупредувањето може да се исклучи со притискање на кое било копче или на копчето за исклучување на алармот за висока температура. (Откажувањето со притискање

на кое било копче не е применливо за сите модели.)

Овој индикатор (!) светнува кога ќе дојде и до грешка на сензор. Кога овој индикатор ќе светне, на индикаторот за температура алтернативно се прикажуваат „Е“ и цифри како „1, 2, 3...“. Овие цифри на индикаторот ги известуваат сервисерите за грешката.

2. Функција за штедење енергија (исклучен приказ):

Ако вратите на ладилникот се затворени долго, функцијата за енергетска заштеда се вклучува автоматски и засветува симболот за заштеда на енергијата. (🔋)

Кога е активна функцијата за штедење енергија, сите симболи на екранот, освен




***По избор:** Сликите во ова упатство за употреба се сметаат за нацрт и може да не одговараат најдобро на производот. Ако вашиот производ не ги содржи релевантните делови, информациите се однесуваат на други модели.

Користење на производот

симболот за штедење енергија, ќе се изгасат. Кога е активна функцијата за штедење енергија и ако се притисне кое било копче или ако се отвори вратата, функцијата за штедење енергија ќе се откаже и симболите на екранот ќе светат нормално.

Функцијата за енергетска заштеда е активирана согласно фабричките поставки и не може да се откаже.

3. Функција за брзо ладење

Копчето има две функции. Притиснете го ова копче накусо за да ја активирате или дезактивирате функцијата за брзо ладење. Индикаторот за брзо ладење ќе се исклучи и производот ќе се врати на нормалните поставки. ()



Користете ја функцијата за брзо ладење кога сакате да брзо да ја изладите храната што ќе ја ставите во одделот за ладилникот. Ако сакате да изладите големи количини свежа храна, активирајте ја оваа функција пред да ја ставите храната во ладилникот.



Ако не ја исклучите, функцијата за брзо ладење ќе се исклучи автоматски по околу 1 час или кога температурата во одделот за ладење ќе ја постигне потребната температура.




Ако го притискате копчето за брзо ладење повторливо на кратки интервали, заштитата на електричното коло ќе се активира и компресорот нема да се вклучи веднаш.





Оваа функција не се обновува кога ќе се врати напојувањето при снемивање струја.

4. Копче за поставување на температурата во одделот на ладилникот

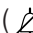
Притиснете го ова копче за да ја поставите температурата на одделот за ладење на 8,7,6, 5,4,3, 2, 1, 8... соодветно. Притиснете го ова копче за да ја поставите температура во одделот на ладилникот на саканата вредност. ()

5. Функција за одмор

За да ја активирате функцијата за одмор, притиснете го ова копче () 3 секунди и индикаторот за режимот за одмор () ќе се активира. Кога е активна функцијата за одмор, „-“ се прикажува кај индикаторот за температурата во одделот за ладење и нема активно ладење во овој оддел. Не е добро да чувате храна во одделот за ладење кога е активирана оваа функција. Другите оддели ќе се ладат и понатаму согласно поставените температури. За да ја откажете оваа функција, притиснете го повторно копчето за функцијата за одмор.

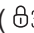

Користење на производот


6. Прекинување на предупредувањето за висока температура:

Во случај на предупредување за снемумање струја/висока температура, може да го избришете предупредувањето () со притискање на кое било копче на индикаторот или копчето за исклучување на алармот за висока температура во времетраење од една секунда по проверување на храната во одделот за замрзнување.

Забелешка: Откажување со притискање на кое било копче не е применливо за сите модели.


7. Блокано

Притиснете го копчето за блокирани копчиња () без да го отпуштите 3 секунди. Символ за блокирани копчиња () ќе засвети и ќе се активира режимот за блокирани копчиња. Копчињата нема да функционираат додека е активен режимот за блокирани копчиња. Притиснете го копчето за блокирани копчиња без да го отпуштите 3 секунди уште еднаш. Символот за блокирани копчиња ќе се изгасне и режимот за блокирани копчиња ќе се исклучи.

Притиснете го копчето за **блокада на копчињата** ако сакате да спречите промена во поставката за температурата на ладилникот ().

8. Еко-функција


Притиснете и држете го копчето за еко-функција 1 секунда за да ја активирате функцијата за еколошка функција. Ладилникот ќе започне да работи на најекономичен

начин најмалку 6 часа подоцна и индикаторот за економична работа ќе се вклучи кога ќе се активира оваа функција (). Притиснете и држете го копчето за еко-функција 3 секунди за да ја дезактивирате еколошката функција.

Овој индикатор засветува по 6 часа од активирање на еколошката функција.


9. Копче за поставување температура во одделот на замрзнувачот

Притиснете го ова копче и поставете ја температурата во замрзнувачот на -18,-19,-20,-21,-22, -23,-24, -18... по потреба.




Притиснете го ова копче за да ја поставите температура во одделот на замрзнувачот на саканата вредност. ()

10. Копче за функцијата за брзо замрзнување/копче за вклучување-исклучување на создавањето мраз

Притиснете го ова копче за да ја активирате или дезактивирате функцијата за брзо замрзнување. Кога ќе ја активирате оваа функција, одделот за замрзнувачот ќе се излади на температура под поставената вредност.

() Притиснете и задржете го копчето за создавање мраз 3 секунди за да ја вклучите и исклучите оваа функција.


Користење на производот

	Користете ја функцијата за брзо замрзнување кога сакате да брзо да ја замрзнете храната што ќе ја ставите во одделот за замрзнување. Ако сакате да замрзнете големи количини свежа храна, активирајте ја оваа функција пред да ја ставите храната во замрзнувачот.
	Ако не ја исклучите, функцијата за брзо замрзнување ќе се исклучи автоматски по околу 24 часа или кога температурата во одделот за ладење ќе ја постигне потребната температура.
	Оваа функција не се обновува кога ќе се врати напојувањето при снемвање струја.

11. Индикатор за економична искористеност

Посочува дека производот работи во режим за енергетски ефикасно ладење. (eco) заради функцијата за дополнителна еко-заштита.

Овој индикатор ќе се активира ако температурата во одделот на замрзнувачот е поставена на -18 или ако се извршува енергетски ефикасно ладење заради функцијата за дополнителна еко-заштита.

	Индикаторот за економска искористеност се исклучува кога ќе се изберат функциите за брзо ладење или за брзо замрзнување.
---	--

5.2. Кофа за мраз

*по избор:

- Земете ја кофата за мраз од одделот за замрзнување.
- Наполнете ја кофата со мраз со вода.
- Земете ја кофата за мраз во одделот за замрзнување.
- Мразот ќе биде готов после околу два часа. Земете ја кофата со мраз од одделот за замрзнување и свиткајте ја малку преку садот што ќе го сервираате. Мразот лесно ќе се пренесе во садот за сервирање.

5.3. Сад на јајца

Може да ставите сад за јајца. Ако решите да го ставите на рафто на телото, се препорачува да ги користите полиците подолу бидејќи се постудени.

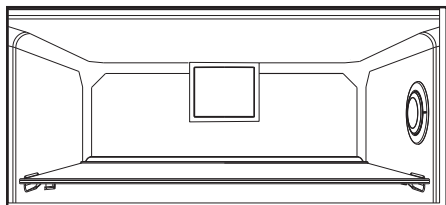


Не ставајте го садот за јајца во одделот за замрзнување.

5.4. Вентилатор

Вентилаторот е дизајниран за да дистрибуира студен воздух во фрижидерот хомогено. Работното време на вентилаторот може да се менува во зависност од карактеристиките на Вашиот производ.

Додека во некои производи вентилаторот функционира само со компресот, во други, контролниот систем го определува работното време во зависност од потребата за ладење.



5.5. Корпа за зеленчуци

*по избор

Корпата за зеленчуци на производот е дизајнирана да ги држи зеленчуците свежи со задржување на влажноста. За таа цел, целосното циркулирање на студениот воздух е засилено во корпата со зеленчуци.

5.6. Корпата за млечни производи(за чување на ладно)

Обезбедува пониска температура во самата преграда на фрижидерот. Користете ја оваа корпа за да чувате деликатеси (салами, кобасици, млечни производи итн.) за кои е потребна пониска температура или за ставање производи од месо, пилешко или риба кратко пред да се сервираат. Во оваа корпа немојте да чувате овошје и зеленчук.

5.7. Подвижна рамка на вратата

*по избор

Подвижната рамка на вратата може да се намести во 3 различни позиции.

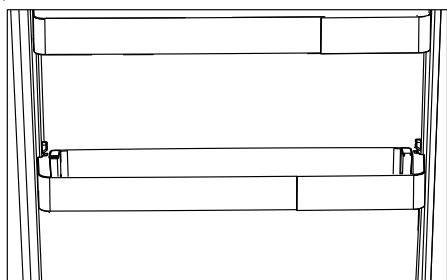
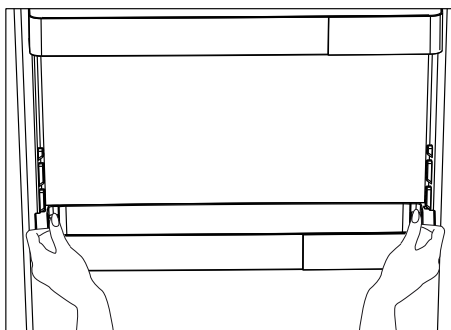
За да ја поместите рамката, притиснете ги рамномерно копчињата на страната.

Ќе може да ја поместите рамката.

Движете ја рамката нагоре или надолу.

Кога рамката е во позицијата што ја посакувате, пуштете ги копчињата.

Рамката ќе се фиксира повторно во позицијата каде што сте ги пуштиле копчињата.

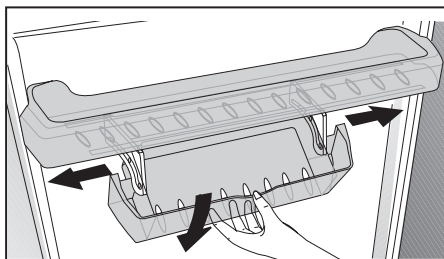


5.8. Лизгачка кутија за складирање

*по избор

Овој додаток е дизајниран за да ја зголеми површината на рафтовите на вратата.

Благодарение на можноста за движење странично, може лесно да ставите високо шише, тегла или кутии што се ставаат на рафотот за шишиња подолу.



5.9. Корпа за зеленчук со контрола на влажност

*по избор

Со опцијата за контрола на влагата, степенот на влажност на зеленчуците и овошјата се контролира и овозможува поголем период на свежина за храната.

Се препорачува да не се складираат лиснати зеленчуци, како марула и спанаќ и слични зеленчуци склони на губење на влага, на корењата, туку во хоризонтална положба во корпата за зеленчуци што е можно повеќе.

Кога ги ставате зеленчуците, ставете ги тешките и тврди зеленчуци на дното, а лесните и меките горе, имајќи ја предвид специфичната тежина на зеленчуците.

Не оставајте ги зеленчуците во корпата за зеленчуци во пластични кеси. Ако ги оставите во пластични кеси, зеленчуците ќе скапат за кусо време. Во ситуации во кои не се препорачува контакт со други зеленчуци, користете материјали за пакување како хартија што има одредена порозност, во смисла на хигиената.

Не ставајте овошје кое произведува голема количина на етиленски гас, како што се крушата, кајсијата, праската и особено јаблуката, во истата корпа за зеленчуци со други зеленчуци и овошја. Етиленот што доаѓа од овие овошја може да предизвика други зеленчуци и овошја да созреат побрзо и да скапат побрзо.

5.10. Автоматска машина за мраз

*по избор

Со автоматската машина за мраз може лесно да правите мраз во фрижидерот. За да добиете мраз од машината за мраз, извадете го резервоарот за вода во одделот за ладење, наполнете го со вода и вратете го на место.

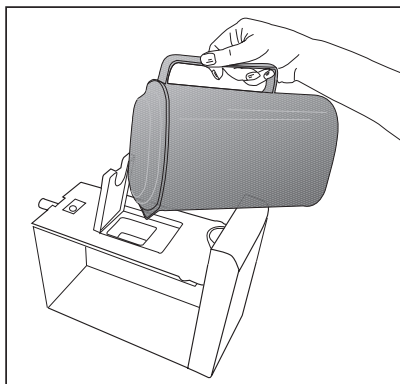
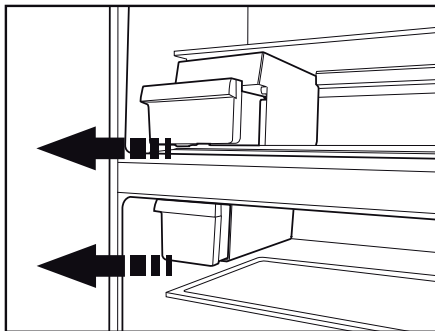
Првиот мраз ќе биде готов за два часа во фиоката на машината за мраз во одделот за ладење.

По ставање на полниот воден резервоар, може да добиете околу 60-70 коцки мраз додека не се испразни целосно.

Ако водата стоела во резервоарот 2-3 седмици, треба да се смени.



Во производи со автоматска машина за лед, може да слушнете звук кога ставате мраз. Овој звук е нормален и не е знак на неправилно работење.



5.11. Ледомат и сад за чување мраз

*по избор

Користење на ледоматот

Наполнете го ледоматот со вода и ставете го на лежиштето. Мразот ќе биде готов за околу два часа. Не го вадете ледоматот од лежиштето за да земете мраз.

Свртете ги рачките на резервоарот на мраз во правец на движење на стрелките на часовникот за 90 степени.

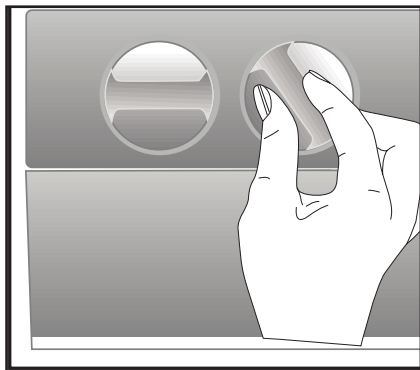
Коцките мраз во резервоарите ќе паднат во садот за чување на мраз под нив.

Може да го извадите садот за чување на мраз и да ги сервираите коцките мраз.

Ако сакате, може да ги чувате коцките мраз во садот за чување мраз.



Сад за чување мраз

Садот за чување мраз е наменет само за акумулирање на коцки мраз. Не ставајте вода во него. Инаку ќе се скрши.

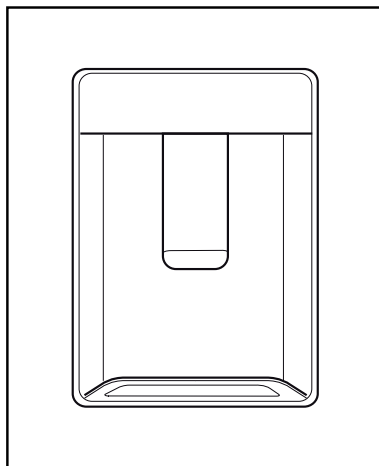


5.12. Користење на чешмата за вода

*по избор

	Нормално е првите неколку чаши вода од чешмата за вода да бидат топли.
	Ако чешмата за вода не се користи долго време, фрлете ги првите неколку чаши вода за да добиете чиста вода.

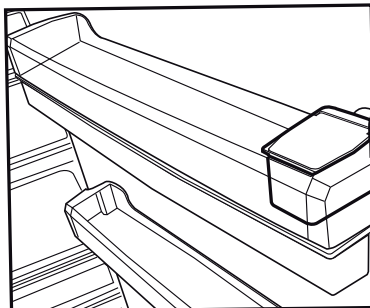
1. Притиснете ја рачката на чешмата за вода со чашата. Ако користите чаша од мека пластика, притискањето на рачката со раката ќе биде полесно.
2. Откако ќе ја наполните чашата до нивото што го сакате, опуштете ја рачката.



Користење на производот



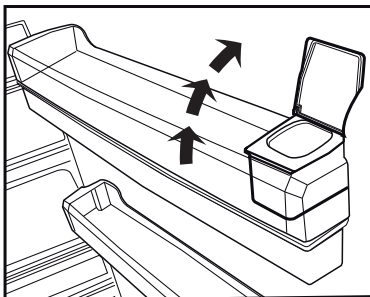
Ве молиме, имајте предвид, колку вода тече од чешмата зависи од тоа колку сте ја притиснале рачката. Како што нивото на водата во шолјата/чашата расте, нежно намалете го притисокот на рачката за да не претече. Ако малку ја притиснете дршката, ќе тече вода; ова е доста нормално и не е неправилно работење.



5.13. Полнење на резервоарот на чешмата за вода

Резервоарот за полнење на садот за вода е лоциран во рамката на вратата.

1. Отворете го капакот на резервоарот.
2. Наполнете го резервоарот со свежа вода за пиење.
3. Затворете го капакот.



Не полнете го резервоарот со вода со друга течност освен со вода како што се овошни сокови, газирани или алкохолни пијалаци што не се соодветни за чешмата за вода. Чешмата за вода ќе биде трајно оштетена ако се користат овие видов течност. Гаранцијата не покрива такво користење. Некои хемиски супстанции и адитиви содржани во овој вид пијалаци/течности може да го повредат резервоарот за вода.



Користете само вода за пиење.



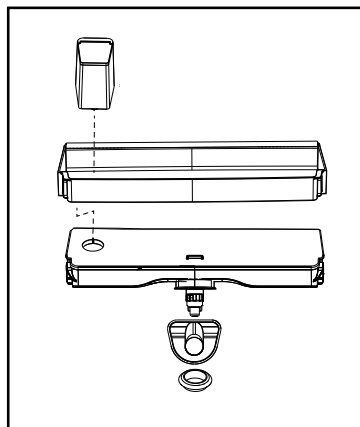
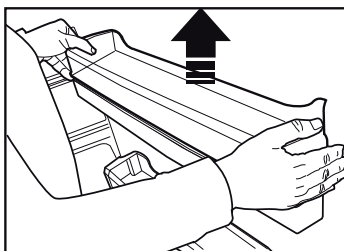
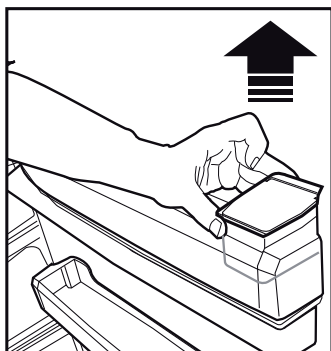
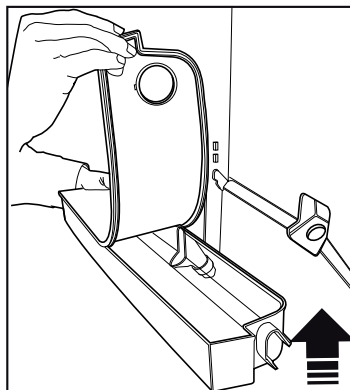
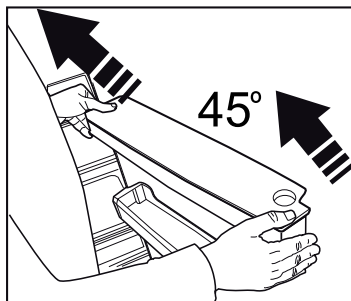
Капацитеот на водниот резервоар е 3 литри; не преполнувајте.

5.14. Чистење на водниот резервоар

1. Извадете го резервоарот за полнење вода на полицата на вратата.
2. Тргнете ја рамката на вратата држејќи ја за двете страни.
3. Грабнете го водниот резервоар од двете страни и тргнете го под агол од 45°С.
4. Тргнете го капакот на водниот резервоар и исчистете го резервоарот.



Компонентите на водниот резервоар и водната чешма не треба да се мијат во мапината за миење садови.

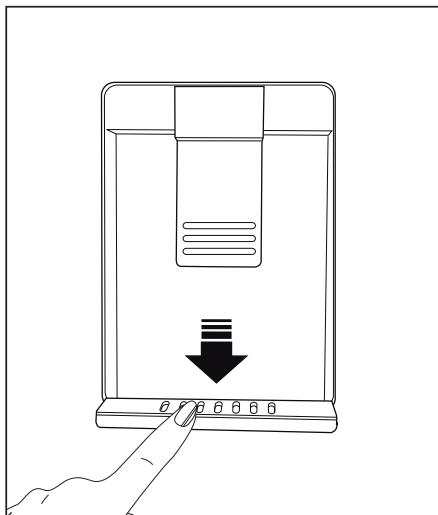


5.15. Послужавник за капење

Водата што тече додека ја користите чешмата за вода се акумулира во послужавникот за течење.

Тргнете го пластичниот филтер како што е покажано на сликата.

Со чиста и сува крпа, тргнете ја водата што се акумулирала.



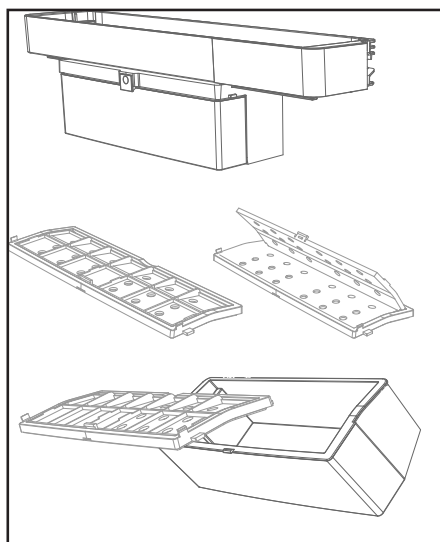
5.16. Кутија за зачини/Свежи зачини (HerbBox/HerbFresh)

Отстранете го садот со филм од кутијата за зачини/свежи зачини+ Извадете го филмот од кутијата и ставете го во садот за филм како што е прикажано на сликата.

Затворете го повторно садот и вратете го во кутијата за зачини/ свежи зачини+.

Кутиите за зачини/свежи зачини се особено добри оддели за чување разни зачини што се поделикатни. Во нив неисечканите зачини (магданос, копар и сл.) се чуваат во хоризонтална положба и многу подолго остануваат свежи.

Филмот се менува на шест месеци.



5.17. Замрзнување свежа храна

- За да го зачувате квалитетот на храната, храната ставена во одделот за замрзнување мора да се замрзне што може побрзо, користете брзо замрзнување за ова.
- Замрзнувањето на храна кога е свежа ќе го продолжи времето на чување во одделот за замрзнување.
- Спакувајте ја храната во садови без воздух и затворете ја цврсто.
- Проверете дали храната е спакувана пред да ја ставите во замрзнувачот. Користете држачи за замрзнување, алуминиум и хартија која не се влажни, пластични кеси или слични материјали за пакување наместо традиционална хартија за пакување.



Мразот во одделот за замрзнување се топи автоматски.

- Означете го секое пакување со храна со датум пред замрзнување. Така ќе

може да ја одредите свежината на секое пакување секојпат кога ќе го отворите замрзнувачот. Чувајте ја порано ставената храна напред за да се осигурите дека ќе се искористи прва.

- Замрзнатата храна мора да се искористи веднаш по одмрзнување и не треба да се замрзнува повторно.
- Не замрзнувајте одеднаш големи количини храна.

5.18. Препораки за чување на смрзната храна

Одделот мора да биде ставен на најмалку -18°C .

1. Ставете ја храната во замрзнувачот најбрзо што можете да за избегнете одмрзнување.
2. Пред замрзнување, проверете го датумот на истекување на пакувањето за да проверите дека не е истечен.
3. Проверете дали пакувањето на храната не е оштетено.

Поставување на температурата во одделот за замрзнување	Поставување на температурата во одделот за ладење	Детали
-18°C	4°C	Ова е стандардната, препорачана поставка.
$-20, -22$ или -24°C	4°C	Овие поставки се препорачуваат за амбиентални температури над 30°C .
Брзо замрзнување	4°C	Користете го кога сакате за кусо време да ја замрзнете храната. Кога ќе заврши процесот, производот ќе се врати на позицијата.
-18°C или постудено	2°C	Користете го овие поставки ако мислите дека одделот за ладење не е доволно студен поради амбиенталната температура или честото отворање на вратата.

Користење на производот

5.19. Детали за за длабоко замрзнување

Според стандардите на IEC 62552, замрзнувачот мора да има капацитет за замрзнување на 4,5 кг храна или смалете ја температурата во 24 часа за секои 100 литри на површината на замрзнувачот. Храната може само да се чува подолги периоди на или под температура од -18°C . Може да ја чувате храната свежа со месеци (во замрзнувачот на или под температура од 18°C).

Храната што се замрзнува не смее да ја допре веќе замрзнатата храна внатре за да се избегне делумно одмрзнување. Сварете ги зеленчуците и филтрирајте ја водата за да го продолжите времето на чување. Ставете ја храната во вакумирани пакувања по филтрирање и ставете ги во фрижидерот. Банани, домати, марула, целер, варени јајца, компири и слична храна не треба да се смрзнува. Ако оваа храна скапе, само хранливите вредности и вкусот ќе бидат влошени. Не станува збор за скапување опасно за здравјето на луѓето.

5.20. Ставање на храната

Рафтови во одделот на замрзнувачот	Некои видови замрзната храна, вклучувајќи месо, риби, сладолед, зеленчук итн.
Рафтови во одделот на замрзнувачот	Храната во тенџериња, затворени садови и затворени пакувања, јајца (во затворени пакувања)
Рафт на вратата на одделот за ладење	Мали и пакувани храна и пијалаци
Корпа за зеленчуци	Овошје и зеленчук

Оддел за свежа храна	Деликатесна храна (храна за доручек, месни производи што треба да се исконсумираат за кусо време)
----------------------	---

5.21. Предупредување за отворена врата (По избор)

Звучно предупредување ќе се слушне ако вратата на производот остане отворена најмалку една минута. Аудио предупредувањето ќе прекине кога вратата е затворена или некое копче на екранот (ако е достапно) е притиснато. Предупредувањето за отворена врата е и звучно и визуелно. Интерното светло ќе се исклучи ако предупредување продолжи 10 минути.

5.22. Менување на насоката на отворање на вратата

Може да ја смените насоката на отворање на фрижидерот во зависност од локацијата на која го употребувате. Кога ви треба тоа, консултирајте се со најблиската овластена служба.

Објаснувањето погоре е општа изјава.

Треба да ја проверите предупредувачката етикета лоцирана во пакувањето на производот за променливоста на насоката на вратата.

5.23. Внатрешно светло

Внатрешното светло користи ЛЕД-сијалици. Контакттирајте го овластениот сервис за какви било проблеми со оваа сијалица.

Сијалицата/сијалиците користени во овој уред не може да се користат за домашно осветлување. Наменетата употреба на оваа сијалица е да му помогне на корисникот да ја стави храната во фрижидерот/замрзнувачот безбедно и удобно.

5.24. Сино светло/HarvestFresh (Тазе набрано)

*Може да не е достапно кај сите модели

За синото светло

Овошјето и зеленчукот складирани во кутиите за свеж зеленчук кои се осветлени со сина светлина ја продолжуваат својата фотосинтеза со помош на ефектот за бранова должина на сино светло и така ги задржуваат своите витамини.

За HarvestFresh,

Овошјето и зеленчукот складирани во кутии за свеж зеленчук со технологијата HarvestFresh ги задржуваат своите витамини подолго време благодарение на циклусите со сино, зелено, црвено светло и темнина, кои го симулираат дневниот циклус.

Ако ја отворите вратата на фрижидерот во текот на темниот период на технологијата HarvestFresh, фрижидерот автоматски ќе го детектира и активира синозеленото или црвеното светло за да ја осветли кутијата за свежи производи по ваша желба. Откако ќе ја затворите вратата на фрижидерот, ќе продолжи темниот период, претставувајќи го вечерниот циклус од дневниот циклус.

5.25. Менување на светилката за осветлување

Повикајте овластен сервисер за да ја смените светилката што служи за осветлување на ладилникот.

Сијалицата што се користи во овој уред не служи за осветлување на соби во домот. Намената на сијалицата е да му помогне на корисникот да ја стави храната во фрижидерот безбедно и удобно.

Сијалиците што се користат во овој производ треба да ги издржуваат екстремните физички услови, како што се температурите под -20°C .

Овој производ е опремен со извор на осветлување од енергетската класа „G“.

Изворот на осветлување во овој производ треба да го замени само стручен сервисер.

Векот на траење на производот се продолжува ако се чисти редовно



ПРЕДУПРЕДУВАЊЕ: Прво извадете го кабелот од струја пред да го чистите фрижидерот.

- Никогаш не користете остри или абразивни алатки, сапун, средства за чистење во домаќинството, детергенти и восочен полир за чистење.
- Растворете една малечка лажица сода бикарбона на половина литар вода. Накиснете крпа со растворот и исцедете ја темелно. Избришете ја внатрешноста на уредот со оваа крпа и исушете ја темелно.
- Проверете да не влегува вода во куќиштето на сијалицата и другите електрични предмети.
- Исчистете ја вратата со влажна крпа. За да извадите вратата и рафовите на телото, извадете ја сета содржина. Извадете ги рафовите со движење нагоре. По листењето, излизгајте ги од горе до долу за да ги инсталирате.
- Никогаш не користете средства за чистење или вода што содржи хлор за да ги чистите надворешните површини и деловите обложени со хром на производот. Хлорот предизвикува корозија на такви метални површини.
- Не користете, остри алатки, сапун, средства за чистење, детергенти, керозин, нафта, лак итн., за да спречите вадење или деформирање на написите на пластичниот дел. Користете млека вода и мека крпа за чистење и потоа и исушете.

6.1. Избегнување на лоши мириси

Во производството на нашите уреди не се користени материјали што може да предизвикаат мирис. Сепак поради несоодветните услови за лување храна и нечистењето на внатрешната површина на уредот како што треба, може да се појави проблем со мирисот.

Затоа, чистете го фрижидерот со вода со растворена сода секои 15 дена.

- Чувајте ја храната во затворени садови. Микроорганизмите што се шират од непокриените садови може да предизвикаат непријатни мириси.
- Во фрижидерот никогаш не чувајте храна што има истечен датум на користење и што е расипана.

6.2. Заштита на пластичните површини

Исчистете ги веднаш со топла вода бидејќи маслото може да ги оштети површините ако се стави на пластика.

6.3. Стаклото на вратата

Извадете ја заштитната фолија од стаклата. Има облога на површината на стаклата. Оваа површина го минимизира наталожувањето и помага да се отстраната можните дамки и нечистотија. Стаклата што не се заштитени со таков слој може да се предмет на постојано поврзување на нечистотија од воздух или вода, како што се варовникот, минералните соли, неизгорените јаглеводороди, металните оксиди и силиконите што може лесно и брзо да предизвикаат дамки или оштетување на материјалот. Одржувањето на стаклото чисто станува тешко и покрај редовното чистење. Поради тоа, изгледот и транспарентноста на стаклото се влошуваат. Грубите и корозивните методи за чистење и соединенија ги интензивираат овие дефекти и го забрзуваат процесот на распаѓање.

Производите за чистење врз база на вода што не се лакални и корозивни мора да се користат за редовно чистење.

Неалкалните и некорозивните метеријали мора да се користат за чистење за да може облогата да трае подолго време.

Овие стакла се термички обработени за да се зголеми нивната издржливост против удари и кршење. Безбедносен филм исто така се применува на нивната површина како дополнителна мерка на безбедност за да се спречи да предизвикаат оштетување во средината ако се скршат.

*Алкалите се база што формира хидроксидни јони (OH^-) кога ќе се раствори во вода.

Li (литиум), Na (натриум), K (калиумот) Rb (рубидиумот), Cs (цезиумот) и вештачките и радиоактивни Fr (Fap-sium) метали се наречени АЛКАЛНИ МЕТАЛИ.

Проверете го списокот пред да повикате сервис. Ќе ви заштеди време и пари. Овој список ги опфаќа честите поплаки што не произлегуваат од неправилна работа или употреба на материјали. Одредени спомнати одлики може да не се однесуваат на вашиот производ.

Ако ладилникот не работи.

- Приклучокот за струја не е наместен убаво. >>> Приклучете го убаво да влезе во штекерот.
- Осигурувачот за штекерот што обезбедува струја за производот или главниот осигурувач се прегорени. >>> Проверете ги осигурувачите.

Се јавува кондензација на страничните ѕидови во одделот на ладилникот (ПОВЕЌЕНАМЕНСКА ЗОНА, КОНТРОЛА НА ЛАДЕЊЕТО И ФЛЕКСИБИЛНА ЗОНА).

- Средината е многу студена. >>> Не поставувајте го производот во средина каде што температурата се спушта под -5 °C.
- Вратата се отвора многу често >>> Внимавајте да не ја отворате вратата многу често.
- Има многу влага во средината. >>> Не поставувајте го производот во средина со влага.
- Течната храна се чува во садови без капак. >>> Чувајте ја течната храна во затворени садови.
- Вратата на производот е оставена отворена. >>> Не оставајте ја вратата отворена долго.
- Термостатот е поставен на ниска температура. >>> Поставете го термостатот на соодветната температура.

Компресорот не работи.

- Ако снеса струја или ако го извлечете приклучокот од штекерот и потоа повторно го приклучите, притисокот на гасот во системот за ладење на производот нема да биде рамномерен што предизвикува вклучување на термичката заштита на компресорот. Производот ќе се рестартира по околу 6 минути. Повикајте сервисер ако производот не се рестартира по овој период.
- Вклучено е одмрзнувањето. >>> Ова е нормално за целосно автоматизиран процес на одмрзнување. Одмрзнувањето се извршува периодично.
- Производот не е вклучен. >>> Проверете дали кабелот за струја е вклучен.
- Поставката за температура не е точна. >>> Изберете соодветна поставка за температурата.
- Нема струја. >>> Производот ќе продолжи да работи кога ќе дојде струја.

Буката од работата на ладилникот се зголемува додека работи.

- Работата на производот може да се разликува во зависност од промените на температурата во средината. Тоа е нормално и не е грешка.

Ладилникот работи многу често или многу долго.

Решавање на проблеми

- Новиот производ веројатно е поголем од претходниот. Поголемите производи работат подолго.
- Температурата во просторијата е висока. >>> Производот нормално ќе работи подолго ако има висока температура во просторијата.
- Производот бил приклучен неодамна или ставена е нова храна. >>> На производот му треба повеќе време да ја достигне поставената температура кога е вклучен неодамна или ако се стави нова храна во него. Тоа е сосема нормално.
- Ставена е поголема количина врела храна во производот. >>> Не ставајте врела храна во ладилникот.
- Вратите се отвораат често или биле оставени отворени подолго. >>> Топлиот воздух влегува внатре и затоа производот работи подолго. Не отворајте ги вратите многу често.
- Вратата на ладилникот или замрзнувачот е оставена подотворена. >>> Проверете дали вратите се убаво затворени.
- Производот е поставен на многу ниска температура. >>> Поставете на повисока температура и почекајте производот да ја достигне прилагодената температура.
- Гумата на врата од ладилникот или замрзнувачот е валкана, изабена, искршена или не е правилно наместена. >>> Исчистете или заменете ја гумата. Оштетената / искината гума на вратата предизвикува долга работа на производот за да ја одржува поставената температура.

Температурата во замрзнувачот е многу ниска додека температурата во ладилникот е задоволителна.

- Температурата во одделот на замрзнувачот е поставена многу ниско. >>> Поставете повисока температура за одделот на замрзнувачот и проверете одново.

Температурата во ладилникот е многу ниска додека температурата во замрзнувачот е задоволителна.

- Температурата во одделот на ладилникот е поставена многу ниско. >>> Поставете повисока температура за одделот на замрзнувачот и проверете одново.

Храната што се чува во ладилникот е замрзната.

- Температурата во одделот на ладилникот е поставена многу ниско. >>> Поставете повисока температура за одделот на замрзнувачот и проверете одново.

Температурата во ладилникот или замрзнувачот е многу висока.

- Температурата во одделот на ладилникот е поставена многу високо. >>> Поставката за температурата во одделот на ладилникот влијае врз температурата во одделот на замрзнувачот. Почекајте температурата во соодветниот оддел да го достигне потребното ниво така што ќе ја смените температурата во одделите за ладилникот или замрзнувачот.
- Вратите се отвораат често или биле оставени отворени подолго. >>> Не отворајте ги вратите многу често.
- Вратата е оставена подотворена. >>> Затворете ја вратата убаво.
- Производот бил приклучен неодамна или ставена е нова храна. >>> Ова е нормално. На производот му треба повеќе време да ја достигне поставената температура кога е вклучен неодамна или ако се стави нова храна во него.
- Ставена е поголема количина врела храна во производот. >>> Не ставајте врела храна во ладилникот.

Тресење или бучава.

Решавање на проблеми

- Подот не е рамен или издржлив. >>> Ако производот се тресе кога ќе го помрднете малку, прилагодете ги ногарките за да го порамните. Проверете и дали подот е доволно издржлив да го носи производот.
- Работите ставени врз производот предизвикуваат бучава. >>> Тргнете ги работите што сте ги ставиле врз него.

Производот испушта звуци на течење, прскање и сл.

- Работните принципи на производот вклучуваат течење на течност и гас. >>> Тоа е нормално и не е грешка.

Звук на ветер се слуша од производот.

- Производот користи вентилатор во процесот на ладење. Тоа е нормално и не е грешка.

Има кондензација на внатрешните ѕидови на производот.

- Врела и влажна клима го зголемува создавањето мраз и кондензација. Тоа е нормално и не е грешка.
- Вратите се отвораат често или биле оставени отворени подолго. >>> Не отворајте ги вратите многу често. Ако се отворени, затворете ги.
- Вратата е оставена подотворена. >>> Затворете ја вратата убаво.

Има кондензација по надворешноста на производот или меѓу вратите.

- Климата во средината е влажна. Ова е нормално за влажна клима. >>> Кондензацијата ќе исчезне кога ќе се намали влагата.

Внатрешноста мириса лошо.

- Производот не се чисти редовно. >>> Редовно чистете ја внатрешноста со сунѓер и топла вода со сода бикарбона.
- Одредени држачи и материјали за пакување создаваат миризби. >>> Користете држачи и материјали за пакување што не содржат миризби.
- Храната се чува во садови без капак. >>> Чувајте ја храната во затворени садови. Може да се развијат микроорганизми кај храната што не се чува во затворен сад со што се создава лоша миризба. Отстранете ја храната со истечен рок или расипаната храна од производот.

Вратата не се затвора.

- Пакувањето на храната ја блокира вратата. >>> Преместете ги работите што ги блокираат вратите.
- Производот не е поставен во целосно исправена положба на подот. >>> Прилагодете ги ногарките за да го порамните.
- Подот не е рамен или издржлив. >>> Проверете дали подот е рамен и доволно издржлив да го носи производот.

Корпата за зеленчук е преполна.

- Храната се допира до горната секција во фиоката. >>> Разместете ја храната во фиоката.

Ако површината на производот е жешка

- Може да се појават високи температури помеѓу двете вратички, на страничните панели и кај задниот грил додека производот е вклучен. Тоа е нормално и нема потреба за поправка!



ПРЕДУПРЕДУВАЊЕ: Ако проблемот опстојува и откако сте ги примениле сите упатства во ова поглавје, контактирајте со продавачот или овластен сервис. Не обидувајте се да го поправите апаратот.

Molimo pročitajte ovaj priručnik prije korištenja proizvoda!

Dragi kupci,

Mi želimo da na najbolji način iskoristite naš proizvod, koji je proizveden u modernim objektima veoma pažljivo i s pedantnom kontrolom kvalitete.






Stoga vam savjetujemo da pročitate cijeli korisnički priručnik prije korištenja ovog proizvoda. Ako proizvod promijeni vlasnika, ne zaboravite da uz proizvod novom vlasniku date i ovaj priručnik.

Ovaj priručnik će vam pomoći da proizvod koristite brzo i bezbjedno.

- Molimo pažljivo pročitajte korisnički vodič prije instaliranja i upotrebe proizvoda.
- Obavezno se pridržavajte važećih sigurnosnih uputa.
- Korisnički vodič držite na dohvat ruke za buduću upotrebu.
- Molimo vas da pročitate sve ostale dokumente koje ste dobili uz proizvod.

Imajte na umu da se ovaj korisnički vodič može primjenjivati na nekoliko modela proizvoda. Vodič jasno ukazuje na bilo kakve varijacije kod različitih modela.






	Važne informacije i korisni savjeti.
	Opasnost po život i imovinu.
	Opasnost od strujnog udara.
	Ambalaža proizvoda je napravljena od sekundarnih sirovina, u skladu s nacionalnim propisima za zaštitu okoliša.

	PODACI	
		Podaci o modelu pohranjeni u bazi podataka o proizvodu mogu se dobiti unosom sledeće mrežne stranice i pretragom po identifikacionom broju vašeg modela (*) koji se nalazi na oznaci potrošnje električne energije. https://eprel.ec.europa.eu/
SUPPLIER'S NAME 	MODEL IDENTIFIER (*) 	

1. Sigurnosne upute i upute o zaštiti okoliša	3	5 Korištenje proizvoda	12
1.1. Opšta sigurnost	3	5.1. Indikatorska ploča	12
1.1.1 HC upozorenje	5	5.2. Fioka za led	14
1.1.2 Za modele sa automatom za vodu	5	5.3. Držač za jaja	14
1.2. Namjena	6	5.4. Ventilator	15
1.3. Sigurnost djece	6	5.5. Kutija za povrće	15
1.4. Usklađenost s direktivom WEEE i Odlaganje otpadnog proizvoda:	7	5.6. Odjeljak za mliječne proizvode (hladno spremište)	15
1.5. Usklađenost sa RoHS direktivom	7	5.7. Klizna kutija za odlaganje	15
1.6. Informacija o ambalaži	7	5.8. Pokretna polica na vratima	16
2 Vaš hladnjak	8	5.9. Posuda za povrće sa kontrolom vlažnosti	17
3 Instalacija	9	5.10. Automatska mašina za led	17
3.1. Odgovarajuće mjesto za instalaciju	9	5.11. Icematic i posuda za čuvanje leda	18
3.2. Postavljanje plastičnih klinova	9	5.12. Korištenje automata za vodu	18
3.3. Podešavanje postolja	9	5.13. Punjenje rezervoara automata vodom	19
3.4. Priključak za napajanje	10	5.14. Čišćenje rezervoara za vodu	20
4 Priprema	11	5.15. Posuda za kapanje	21
4.1. Što učiniti za uštedu energije	11	5.16. Zamrzavanje svježe hrane	22
4.2. Prvo korištenje	11	5.17. Preporuke za skladištenje smrznute hrane	22
		5.18. Detalji zamrzivača za duboko zamrzavanje	23
		5.19. Stavljanje hrane	23
		5.20. Upozorenje na otvorena vrata	23
		5.21. Promjena smjera otvaranja vrata	23
		5.22. Unutrašnje osvjetljenje	23
		5.23. Plavo svjetlo/HarvestFresh	24
		5.24. Mijenjanje lampice za osvjetljenje	24
		6 Održavanje i čišćenje	25
		6.1. Izbjegavajte neugodne mirise	25
		6.2. Zaštita plastičnih površina	25
		6.3. Stakla na vratima	25
		7 Rješavanje problema	26

Ovo poglavlje sadrži sigurnosne upute potrebne da bi spriječili rizik od ozljede i materijalne štete. Nepoštovanje ovih uputa će poništiti sve vrste garancije proizvoda.

Namjena

	UPOZORENJE: Ventilacijske otvore na uređaju, kućištu aparata ili ugrađenoj strukturi održavajte bez prepreka.
	UPOZORENJE: Za ubrzavanje procesa odmrzavanja koristite samo mehaničke uređaje ili druga sredstva koja je preporučio proizvođač.
	UPOZORENJE: Nemojte oštetiti rashladno kolo.
	UPOZORENJE: Ne koristite električne uređaje u odjeljcima za skladištenje hrane, osim ako oni ne pripadaju tipu koji je preporučio proizvođač.
	UPOZORENJE: Nemojte skladištiti eksplozivne tvari poput limenki s aerosolom sa zapaljivim potisnim plinom u ovaj uređaj.

Ovaj uređaj je namijenjen za korištenje u domaćinstvu i u sličnim objektima, kao što su

- mala kuhinja za zaposlene u trgovinama, uredima i drugim radnim okruženjima;
- seoske kuće i za goste u hotelima, motelima i drugim stambenim objektima;
- objekti koji nude prenoćište i doručak,
- za pripremu i dostavu hrane i slične primjene koje ne spadaju u maloprodaju.

1.1. Opšta sigurnost

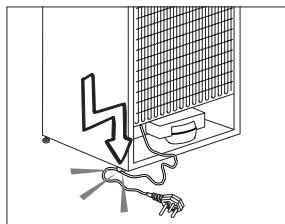
- Ovaj proizvod ne trebaju koristiti osobe sa fizičkim, senzornim i mentalnim invaliditetom, osobe bez dovoljno znanja i iskustva ili djeca. Takve osobe mogu koristiti uređaj samo pod nadzorom i instrukcijama osobe odgovorne za njihovu sigurnost. Djeca ne treba dopustiti da se igraju sa ovim uređajem.
- U slučaju kvara, isključite uređaj.
- Nakon isključivanja, pričekajte najmanje 5 minuta prije nego što ga ponovno uključite.
- Isključite proizvod kada nije u upotrebi.

Sigurnosne upute i upute o zaštiti okoliša

- Ne dodirujte utikač mokrim rukama! Ne vucite kabel da bi ga isključili, uvijek vucite samo utikač.
 - Ne uključujte hladnjak ako je utičnica hlabava.
 - Isključite proizvod prilikom instalacije, održavanja, čišćenja i popravke.
 - Ako se proizvod neće koristiti neko vrijeme, isključite uređaj i izvadite hranu iz njega.
 - Nemojte koristiti ovaj proizvod kada je odjeljak sa štampanim karticama koji se nalazi u gornjem zadnjem dijelu proizvoda (poklopac električnog odjeljka sa karticama (1) otvoren.
- 
- 
- Nemojte koristiti paru ili sredstva za čišćenje parom za čišćenje hladnjaka i topljenje leda u njemu. Para može doći u dodir s dijelovima pod naponom i dovesti do kratkog spoja ili strujnog udara!
 - Ne perite proizvod prskanjem ili sipanjem vode na njega! Opasnost od strujnog udara!
 - U slučaju kvara, ne koristite proizvod, jer to može dovesti do strujnog udara. Kontaktirajte ovlaštenu servis prije nego što bilo šta uradite.
 - Priključite uređaj na uzemljenu utičnicu. Uzemljenje mora izvršiti kvalificirani električar.
 - Ako proizvod ima rasvjetu LED tipa, kontaktirajte ovlaštenu servis za zamjenu ili u slučaju bilo kakvog problema.
 - Ne dirajte smrznutu hranu vlažnim rukama! Ona se može zalijepiti za ruke!
 - Ne stavljajte tečnosti u bocama i limenkama u odjeljak zamrzivača. One mogu prsnuti!
 - Tečnosti postavite u uspravan položaj nakon što čvrsto zatvorite poklopac.

Sigurnosne upute i upute o zaštiti okoliša

- Ne prskajte zapaljive tvari u blizini proizvoda, jer se mogu zapaliti ili eksplodirati.
- Ne držite zapaljive materijale i proizvode sa zapaljivim plinom (sprejevi, itd) u hladnjaku.
- Ne stavljajte posude sa tekućinama na vrh proizvoda. Prskanje vode na elektrificirani dio može dovesti do strujnog udara i opasnosti od požara.
- Izlaganje proizvod kiši, snijegu, suncu i vjetru će izazvati električnu opasnost. Kada premještate proizvod, ne vucite ga za ručicu na vratima. Ručica može otpasti.
- Vodite računa da izbjegnute hvatanje bilo kog dijela ruke ili tijela u bilo koji od pokretnih dijelova unutar proizvoda.
- Nemojte stajati niti se naslanjati na vrata, ladice i slične dijelove hladnjaka. To će uzrokovati da proizvod padne i izazvati oštećenje dijelova.
- Vodite računa da ne uhvatite kabel za napajanje.



1.1.1 HC upozorenje

Ako proizvod sadrži sistem za hlađenje koji koristi plin R600a, vodite računa da izbjegnute oštećenje sistema za hlađenje i njegovih cijevi dok koristite i premještate proizvod. Ovaj plin je zapaljiv. Ako je sistem za hlađenje oštećen, držite proizvod podalje od izvora vatre i odmah provjetrite prostoriju.



Etiketa na unutarnjoj lijevoj strani ukazuje na vrstu plina koji se koristi u proizvodu.

1.1.2 Za modele sa automatom za vodu

- Pritisak za dovod hladne vode treba biti maksimalno 90 psi (6,2 bara). Ako vodeni pritisak premašuje 80 psi (5,5 bara), koristite ventil za ograničenje pritiska u sistemu za napajanje. Ako

Sigurnosne upute i upute o zaštiti okoliša

ne znate kako da provjerite vodeni pritisak, potražite pomoć od profesionalnog vodoinstalatera.

- Ukoliko postoji rizik od efekta vodenog udara na vašoj instalaciji, uvijek koristite opremu za sprječavanje vodenog udara. Konsultujte profesionalne vodoinstalatere ako niste sigurni da li postoji efekat vodenog udara u vašoj instalaciji.
- Nemojte instalirati na dovodu vruće vode. Preduzmite mjere predostrožnosti protiv rizika od smrzavanja crijeva. Temperatura vode radnog intervala će biti minimalno 33°F (0,6 °C) i maksimalno 100°F (38°C).
- Koristite samo vodu za piće.

1.2. Namjena

- Ovaj proizvod je dizajniran za kućnu upotrebu. On nije namijenjen za komercijalnu upotrebu.

- Proizvod treba koristiti samo za čuvanje hrane i pića.
- Nemojte držati osjetljive proizvode koji zahtijevaju kontrolirane temperature (vakcine, lijekove osjetljive na toplotu, sanitetski materijal itd.) u hladnjaku.
- Proizvođač ne preuzima odgovornost za bilo kakvu štetu zbog zloupotrebe ili neispravne upotrebe.
- Originalni rezervni dijelovi će biti obezbijedjeni tijekom narednih 10 godina od datuma kupovine proizvoda.

1.3. Sigurnost djece

- Držite ambalažu van dohvata djece.
- Nemojte dopustiti djeci da se igraju s proizvodom.

Sigurnosne upute i upute o zaštiti okoliša

- Ako vrata proizvoda imaju bravu, držite ključ van dohvata djece.

1.4. Usklađenost s direktivom WEEE i Odlaganje otpadnog proizvoda:

Ovaj proizvod je usklađen s Direktivom EU WEEE (2012/19/EU). Ovaj proizvod nosi simbol klasifikacije za odlaganje električne i elektronske opreme (WEEE).



Ovaj proizvod je proizveden od visokokvalitetnih dijelova i materijala koji se mogu ponovo koristiti i pogodni su za reciklažu. Na kraju radnog vijeka, ne bacajte otpadni proizvod sa običnim domaćim i ostalim otpadom.

Odnosite ga u sabirni centar za recikliranje električne i elektronske opreme. Obratite vašim lokalnim vlastima kako biste saznali više o ovim sabirnim centrima.

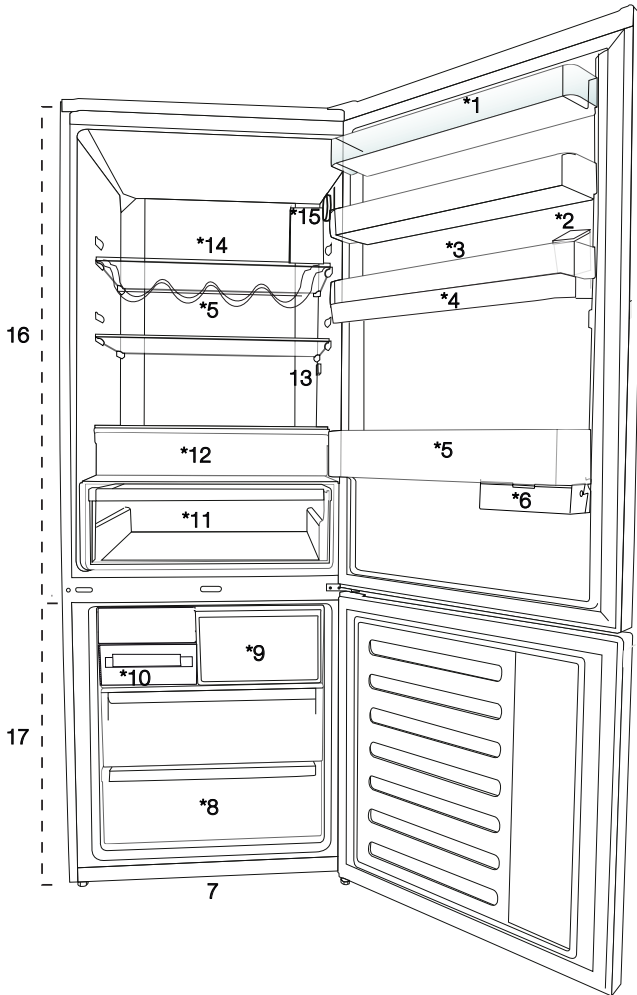
1.5. Usklađenost sa RoHS direktivom

- Ovaj proizvod je usklađen s Direktivom EU WEEE (2011/65/EU). On ne sadrži štetne i zabranjene materijale navedene u Direktivi.

1.6. Informacija o ambalaži

- Ambalaža proizvoda je proizvedena od sekundarnih sirovina u skladu s našim nacionalnim propisima za zaštitu okoliša. Ne bacajte ambalažu zajedno s domaćim ili drugim otpadom. Odnosite je do sabirnih centara za ambalažu koje su odredile lokalne vlasti.

2 Vaš hladnjak



1. Polica na vratima odjeljka za hlađenje
2. Rezervoar za punjenje aparata za vodu
3. Odjeljak za jaja
4. Rezervoar aparata za vodu
5. Polica za boce
6. Klizna kutija za odlaganje
7. Podesive nožice
8. Odjeljak za duboko zamrzavanje
9. Odjeljak za brzo smrzavanje
10. Posuda za led i fioka za led
11. Kutija za povrće
12. Odjeljak za mliječne proizvode (hladno spremište)
13. Unutrašnje osvjetljenje
14. Staklena polica odjeljka za hlađenje
15. Tipka za podešavanje temperature
16. Odjeljak hladnjaka
17. Zamrzivač



***opcionalno:** Slike date u ovom priručniku služe samo kao primjeri i ne moraju biti potpuno iste kao vaš proizvod. Ako vaš proizvod ne sadrži odgovarajuće dijelove, informacije se odnose na druge modele.

3.1. Odgovarajuće mjesto za instalaciju

Kontaktirajte ovlaštenu servis za instalaciju proizvoda. Da biste proizvod pripremili za instalaciju, pogledajte informacije u korisničkom vodiču i pobrinite se da su snabdijevanje struje i vode u skladu sa zahtjevima. Ako nisu, nazovite električara i vodoinstalatera da bi ih postavili po potrebi.



UPOZORENJE: Proizvođač ne preuzima odgovornost za bilo kakvu štetu nastalu radom koji je obavila neovlaštena osoba.



UPOZORENJE: Kabel za napajanje proizvoda mora biti isključen iz struje tijekom instalacije. Ako to ne učinite, može doći do smrti ili teških povreda!



UPOZORENJE: Ako je raspon vrata preuzak da proizvod prođe, skinite vrata i okrenite proizvod u stranu, a ako i to ne uspe, kontaktirajte ovlaštenu servis.

- Stavite proizvod na ravnu površinu kako bi izbjegli vibracije.
- Postavite proizvoda najmanje 30 cm od grijalice, peći i sličnih izvora topline i najmanje 5 cm od električnih peći.
- Ne izlažite proizvod direktnoj sunčevoj svjetlosti ili ne držite ga u vlažnom okruženju.
- Proizvod zahtijeva adekvatnu cirkulaciju zraka da bi efikasno funkcionirao.
- Ako proizvod treba da se stavi u nišu, ne zaboravite da ostavite najmanje 5 cm udaljenosti između uređaja i plafona i zidova.
- Ne postavljajte proizvod u okruženjima s temperaturama ispod -5°C .
- Vaš proizvod zahtijeva adekvatnu cirkulaciju zraka da bi efikasno funkcionirao. Ako će proizvod biti smješten u niši, ne zaboravite ostaviti najmanje 5 cm razmaka između proizvoda i stropa, zida sa stražnje strane i zidova s bočnih strana.

- Ako će proizvod biti smješten u niši, ne zaboravite ostaviti najmanje 5 cm razmaka između proizvoda i stropa, zida sa stražnje strane i zidova s bočnih strana. Provjerite da li se zaštitna komponenta za razmak sa stražnje strane nalazi na predviđenom mjestu (ako je isporučena uz proizvod). Ako komponenta nije dostupna ili se izgubi ili spadne, postavite proizvod tako da između stražnje površine proizvoda i zidova prostorije bude najmanje 5 cm razmaka. Razmak sa stražnje strane važan je za učinkovit rad proizvoda.

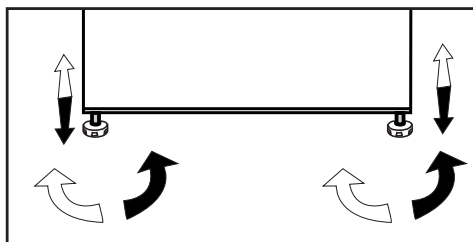
3.2. Postavljanje plastičnih klinova

Koristite plastične klinove priložene uz ovaj proizvod da osigurate dovoljno prostora za cirkulaciju zraka između uređaja i zida.




1. Da biste priključili klinove, uklonite vijke na proizvodu i koristite vijke priložene uz klinove.
2. Pričvrstite 2 plastična klina na poklopac ventilacije kao što je prikazano na slici.

3.3. Podešavanje postolja


Ako proizvod nije u uravnoteženom položaju, podesite prednja podesiva postolja okretanjem na desno ili lijevo.



3.4. Priključak za napajanje

	UPOZORENJE: Ne koristite produžni kabel ili kabel sa više utičnica na priključku za napajanje.
	UPOZORENJE: Oštećeni kabel za napajanje mora da zamijeni ovlašteni servis.
	Prilikom postavljanja dva hladnjaka jedan pored drugog, ostavite najmanje 4 cm prostora između dvije jedinice.

- Naša firma ne preuzima odgovornost za bilo kakvu štetu zbog korištenja bez uzemljenja i bez priključka za napajanje u skladu sa nacionalnim propisima.
- Napojni kabel mora biti lako dostupan nakon instalacije.
- Povežite hladnjak na uzemljenu utičnicu sa naponom od 220-240 V/50 Hz. Utikač mora sadržati osigurač od 10-16A.
- Ne koristite utikač sa više grupa sa ili bez produžnog kabela između zidne utičnice i hladnjaka.

	Upozorenje na vruću površinu! Na bočnim zidovima vašeg proizvoda ce nalaze cijevi rashladnog sredstva koje poboljšavaju rashladni sistem. Kroz ove oblasti može da teče rashladno sredstvo na visokim temperaturama, što rezultira vrućim površinama na bočnim zidovima. Ovo je normalno i nije potrebno servisiranje. Vodite računa kada dodirujete ove oblasti.
--	---

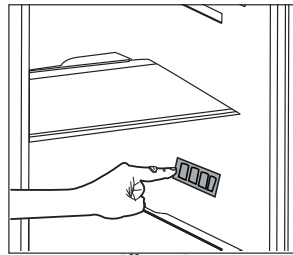
4.1. Što učiniti za uštedu energije



Povezivanje proizvoda na elektronske sisteme za štednju energije je štetno jer to može oštetiti proizvod.

- Za samostojeći uređaj; „Ovaj rashladni uređaj nije predviđen da se koristi kao ugradni uređaj“.
- Ne držite vrata hladnjaka otvorena duže vrijeme.
- Ne stavljajte toplu hranu ili pića u hladnjak.
- Nemojte prepuniti hladnjak; blokiranje unutrašnjeg protoka zraka će smanjiti kapacitet hlađenja.
- Kako biste stavili maksimalnu količinu hrane u odjeljak za hlađenje vašeg hladnjaka, treba da izvadite gornje fioke i stavite hranu na staklenu полицu. Utvrđena potrošnja električne energije vašeg hladnjaka je određena kada su izvađeni odjeljak za hlađenje, posuda za led i gornje fioke kako bi se obezbijedio maksimalni prostor za skladištenje. Prilikom skladištenja, preporučuje se korištenje donje fioke. Funkcija štednje energije treba da se aktivira da bi se obezbijedila najbolja potrošnja energije.
- Ne smete da blokirate protok zraka stavljanjem hrane ispred ventilatora hladnjaka. Prilikom stavljanja hrane, ispred zaštitne rešetke ventilatora treba se ostaviti prostor od najmanje 3 cm.
- Ovisno o karakteristikama proizvoda; odmrzavanje smrznute hrane u odjeljku hladnjaka će osigurati uštedu energije i očuvanje kvaliteta hrane.
- Hrana treba da se stavlja u fioke u odjeljku hladnjaka kako bi se osigurala štednja energije i hrana zaštitila u boljim uslovima.
- Paketi hrane ne treba da dolaze u direktan dodir sa senzorom toplote smještenim u odjeljku hladnjaka. Ako oni dođu u dodir sa senzorom, potrošnja energije uređaja se može povećati.
- Pobrinite se da namirnice ne budu u kontaktu sa senzorom temperature hladnjaka opisanog u nastavku.

- U slučaju da postoji više opcija, staklene police moraju biti postavljene tako da izlazi za zrak na zadnjem zidu ne budu začepljeni, po mogućnosti da izlazi za zrak budu ispod staklene police. Takva kombinacija može pomoći u poboljšanju raspodjele zraka i energetske efikasnosti.
- Budući da vrući i vlažni zrak ne prodire u vaš proizvod kada vrata nisu otvorena, važno će se proizvod optimizirati u uvjetima dovoljnim za zaštitu vaše hrane. Uz ovu funkciju za uštedu energije, funkcije i sastavni dijelovi kao kompresor, ventilator, grijač, odmrzivač, svijetlo, ekran i tako dalje će raditi u skladu sa potrebama za potrošnju minimalne energije pod ovim okolnostima, uz očuvanje svježine vaše hrane.



4.2. Prvo korištenje

Prije upotrebe hladnjaka, pobrinite se da su potrebne pripreme obavljene u skladu sa uputstvima u odjeljcima „Sigurnosne upute i upute o zaštiti okoliša“ i „Instalacija“.

- Pustite proizvod radi bez hrane 6 sati i ne otvarajte vrata ukoliko to nije apsolutno neophodno.



Zvuk će se čuti kada kompresor počinje da radi. Normalno je da se čuje zvuk čak i kada je kompresor neaktivan, zbog komprimiranih tekućina i plinova u sistemu hlađenja.



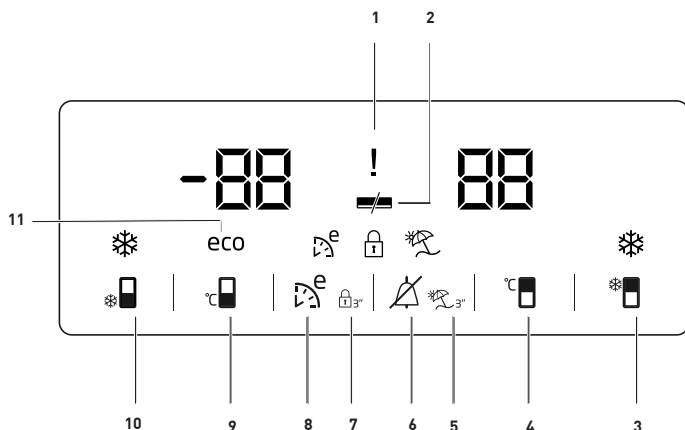
Prednje ivice proizvoda mogu da se zagriju. To je normalno. Ova područja su dizajnirana za zagrijavanje kako bi se spriječila kondenzacija.



Na nekim modelima, panel indikatora se isključuje automatski 5 minuta nakon što se vrata zatvore. On će se ponovno aktivirati kada se otvore vrata ili se pritisne bilo koja tipka.

5.1. Indikatorska ploča

Ploča s indikatorima vam omogućava da podesite temperaturu i da upravljate drugim funkcijama koje su vezane za proizvod bez otvaranja vrata proizvoda. Samo pritisnite natpise na odgovarajućim tipkama za podešavanje funkcije.



1. Pokazatelj prekida napajanja / visoke temperature / statusa pogreške

Ovaj pokazatelj (!) svijetli u slučaju upozorenja na nestanak struje, visoku temperaturu i pogreške.

Kad se temperatura zamrzivača zagrije do kritične razine za smrznutu hranu, na digitalnom pokazatelju trepće maksimalna vrijednost koju dostigne temperatura zamrzivača.

Provjerite hranu u odjeljku za zamrzavanje.

Ovo nije kvar. Upozorenje se može izbrisati pritiskom bilo kojeg gumba ili tipke za isključivanje alarma za visoku temperaturu. (Otkazivanje pritiskom bilo kojeg gumba nije primjenjivo za svaki model.)

Ovaj pokazatelj (!) svijetli i u slučaju kvara senzora. Kada ovaj pokazatelj svijetli, na pokazivaču temperature alternativno se prikazuju „E“ i brojeke poput „1, 2, 3 ...“. Ove brojeke na pokazatelju informiraju servisno osoblje o pogrešci.

2. Funkcija za uštedu energije (displej isključen):

Ako se vrata proizvoda drže zatvorenim duže vrijeme, funkcija za uštedu energije se automatski aktivira i simbol štednje energije svijetli. (///)

Kada je funkcija za uštedu energije aktivirana, svi simboli na displeju osim simbola za štednju energije će se isključiti. Kada je funkcija za uštedu energije aktivirana, ako je bilo koja tipka pritisnuta ili ako su vrata otvorena, funkcija uštede energije će biti otkazana i simboli na displeju će se vratiti u normalu.


Funkcija uštede energije je aktivirana tokom isporuke iz fabrike i ne može se poništiti.






*** Opcionalno:** Slike u ovom uputstvu služe kao skice i možda neće savršeno odgovarati vašem proizvodu. Ako vaš proizvod ne sadrži odgovarajuće dijelove, informacije se odnose na druge modele.


Korištenje proizvoda

3. Funkcija brzog frižidera



Ova tipka ima dvije funkcije. Da biste aktivirali ili deaktivirali funkciju brzog hlađenja pritisnite nakratko tipku. Indikator brzog hlađenja će se isključiti i proizvod će se vratiti na svoje normalne postavke. 

	Koristite funkciju brzog hlađenja kad želite brzo ohladiti hranu smještenu u odjeljak frižidera. Ako želite ohladiti velike količine svježih hrane, aktivirajte ovu funkciju prije stavljanje hrane u uređaj.
	Ako vi ne otkazete, brzo hlađenje će se otkazati automatski nakon 1 sat ili kad odjeljak frižidera dosegne potrebnu temperaturu.
	Ako pritisnete tipku za brzo hlađenje nekoliko puta u kratkim intervalima, zaštita elektronskog kruga će biti aktivirana i kompresor se neće odmah pokrenuti.
	Ova funkcija nije opozvana kada dođe struja nakon nestanka.

4. Tipka podešavanja temperature odjeljka frižidera

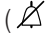
Pritisnite ovu tipku da podesite temperaturu odjeljka frižidera na 8,7,6,5,4,3,2,1,8... redom. Pritisnite ovu tipku da podesite temperaturu odjeljka frižidera na željenu vrijednost. 

5. Funkcija tokom godišnjeg odmora

Da biste aktivirali funkciju za rad uređaja tokom godišnjeg odmora, pritisnite ovu tipku () tokom 3 sekunde, i indikator režima godišnjeg odmora () će biti aktiviran. Kada je funkcija za slučaj odsustva aktivirana, "- -" je prikazano na indikatoru temperature odjeljka frižidera i aktivno hlađenje u odjeljku frižidera se neće vršiti. Nije pogodno za čuvanje hrane u odjeljku frižidera kada je ova funkcija aktivirana. Drugi odjeljci će nastaviti s hlađenjem prema njihovoj podešenoj temperaturi.

Da otkazete ovu funkciju pritisnite ponovo tipku funkcije za rad tokom godišnjeg odmora.

6. Prestanak upozorenja o visokoj temperaturi:


U slučaju upozorenja na nestanak struje/visoku temperaturu, možete izbrisati upozorenje () pritiskom bilo kojeg gumba na pokazatelju ili gumba za isključivanje alarma alarma za visoku temperaturu 1 sekundu nakon što provjerite hranu u odjeljku zamrzivača.

Napomena: Otkazivanje pritiskom bilo kojeg gumba nije primjenjivo za svaki model.

7. Zaključavanje tipki,

Pritisnite tipku za zaključavanje tipki


() istovremeno tokom 3 sekunde. Simbol zaključanih tipki

() će svijetliti i režim zaključanih tipki će biti aktiviran. Tipke neće funkcionisati ako je način rada zaključanih tipki aktivan. Pritisnite

ponovo tipku za zaključavanje tipki istovremeno tokom 3 sekunde. Simbol zaključanih tipki će se isključiti i režim zaključanih tipki će biti isključen.

Pritisnite **tipku za zaključavanje** tipki ako želite spriječiti promjene u postavkama temperature frižidera ()

8. Eco fuzzy


Pritisnite i držite tipku eco fuzzy tokom 1 sekunde da aktivirate funkciju eco fuzzy. Frižider će početi s radom u najekonomičnijem režimu minimalno 6 sati kasnije i indikator ekonomske upotrebe će se upaliti kada je ova funkcija aktivna ()

Pritisnite i držite tipku funkcije eco fuzzy tokom 3 sekunde da biste deaktivirali eco fuzzy funkciju.


Ovaj indikator svijetli nakon 6 sati kada je eco fuzzy aktivirano.

Korištenje proizvoda

9. Tipka podešavanja temperature odjeljka zamrzivača

Pritisnite ovu tipku da podesite temperaturu odjeljka zamrzivača na -18, -19, -20, -21, -22, -23, -24, -18... redom. Pritisnite ovu tipku da podesite temperaturu odjeljka zamrzivača na željenu vrijednost. ()

10. Funkcijska tipka brzog zamrzavanja / tipka za uključivanje-isključivanje ledomata

Pritisnite ovu tipku da aktivirate ili deaktivirate funkciju brzog zamrzavanja. Kada aktivirate ovu funkciju, odjeljak zamrzivača će biti ohlađen do temperature koja je niža od podešene vrijednosti. () Da biste uključili i isključili ledomat pritisnite i držite tipku tokom 3 sekunde.



Koristite funkciju brzog zamrzavanja kad želite brzo zamrznuti hranu smještenu u odjeljak zamrzivača. Ako želite zamrznuti velike količine svježe hrane, aktivirajte ovu funkciju prije stavljanje hrane u uređaj.




Ako vi ne otkažete, brzo zamrzavanje će se otkazati automatski nakon 24 sata ili kad odjeljak frižidera dosegne potrebnu temperaturu.



Ova funkcija nije opozvana kada dođe struja nakon nestanka.

11. Indikator ekonomične upotrebe

Ukazuje na to da proizvod radi u režimu energetske efikasnosti. () Ovaj indikator će biti aktivan ako je temperatura odjeljka zamrzivača podešena na -18 ili ako se odvija energetski efikasno hlađenje zbog Eco-Extra funkcije.



Indikator ekonomične upotrebe je isključen kada je odabrana funkcija brzog hlađenja ili brzog zamrzavanja.

5.2. Fioka za led

* Opcionalno

- Izvadite fioku za led iz odjeljka zamrzivača.
- Napunite fioku za led vodom.
- Vratite fioku za led u odjeljak zamrzivača.
- Led će biti spreman nakon otprilike dva sata. Izvadite fioku za led iz odjeljka zamrzivača i lagano je nagnite preko držača koji ćete servirati. Led će se jednostavno presipati u držač za serviranje.

5.3. Držač za jaja

Držač za jaja možete po izboru staviti na policu na vratima ili policu u hladnjaku. Ako odlučite da ga stavite na policu u hladnjaku, preporučuje se da ga to odaberete donje police pošto su one hladnije.



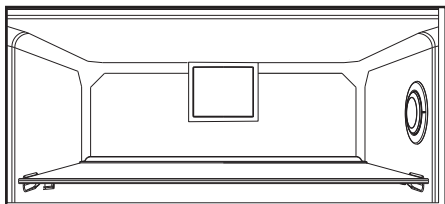
Ne stavljajte držač za jaja u odjeljak zamrzivača.

Korištenje proizvoda

5.4. Ventilator

Ventilator je dizajniran da ravnomjerno cirkulira hladan vazduh u hladnjaku. Vrijeme rada ventilatora može da varira ovisno o funkcijama vašeg proizvoda.

Dok u nekim proizvodima ventilator radi samo sa kompresorom, u drugim kontrolni sistem određuje vrijeme rada na osnovu potrebe za hlađenjem.



5.5. Kutija za povrće

* Opcionalno

Kutija za povrće proizvoda je dizajnirana da povrće održi svježim zadržavajući vlagu. Za tu svrhu, ukupna cirkulacija hladnog zraka je povećana u kutiji za povrće.

5.6. Odjeljak za mliječne proizvode (hladno spremište)

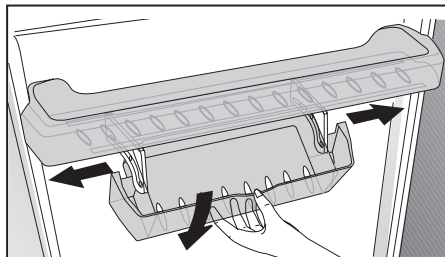
Daje nižu temperaturu nego u odjeljku hladnjaka. Ovaj odjeljak koristite za čuvanje delikatesa (salama, kobasica, mliječnih proizvoda itd.) koje zahtijevaju nižu temperaturu čuvanja ili mesa, piletine ili ribljih proizvoda za neposrednu konzumaciju. Voće i povrće nemojte držati u ovom odjeljku.

5.7. Klizna kutija za odlaganje

* Opcionalno

Ova dodatna oprema je predviđena da poveća korisnu zapreminu polica na vratima.

Zahvaljujući njenoj sposobnosti da se pomjera bočno, ona vam omogućuje da jednostavno stavite dugačku bocu, teglu ili kutije koje stavljate na donji stalak za boce.



5.8. Pokretna polica na vratima

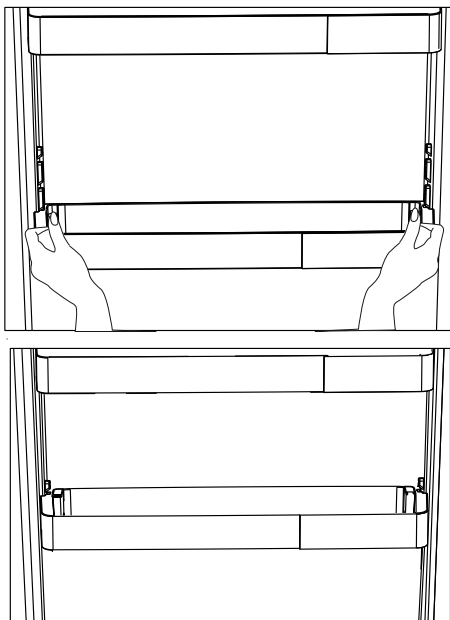
* Opcionalno

Pokretna polica na vratima se može fiksirati u 3 različita položaja.

Za pomjeranje police, istovremeno pritisnite tipke na bočnim stranama. Polica će moći da se pomjera.

Pomjerite policu gore ili dolje.

Kada se polica nalazi u željenom položaju, pustite tipke. Polica će se ponovno fiksirati u položaju u kome oslobodite tipke.



HerbBox/HerbFresh

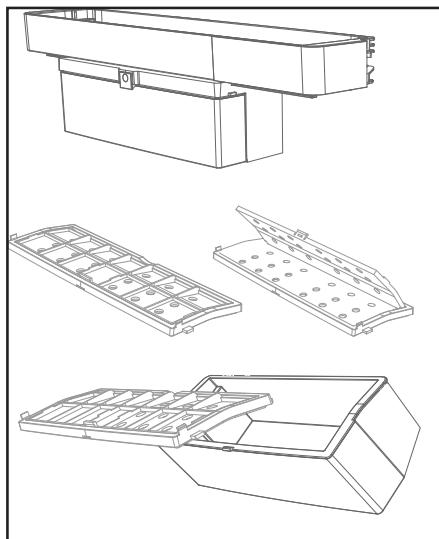
Izvadite posudu za foliju iz HerbBox/HerbFresh+ kutije

Izvadite foliju iz vrećice i stavite je u posudu za foliju kao što je prikazano na slici.

Ponovo zatvorite posudu i vratite je u HerbBox/HerbFresh+ kutiju.

HerbBox-HerbFresh+ odjeljci su naročito pogodni za čuvanje različitog bilja koje bi se trebalo čuvati u delikatnim uvjetima. U ovom odjeljku bilje koje se ne nalazi u vrećici (peršun, mirođija, itd.) možete čuvati u horizontalnom položaju i održavati ga svežim mnogo duži vremenski period.

Slaj se zamjenjuje na šest mjeseci.



Korištenje proizvoda

5.9. Posuda za povrće sa kontrolom vlažnosti

* Opcionalno

S funkcijom kontrole vlažnosti, nivoi vlažnosti voća i povrća se drže pod kontrolom i obezbeđuje se duži period vlažnosti hrane.

Preporučuje se da se lisnato povrće, kao što je zelena salata, špinat i slično povrće sklono gubitku vlažnosti u posudi za povrće čuva u što horizontalnijem položaju a ne postavljeno na korijen.

Prilikom postavljanja povrća, teško i tvrdo povrće stavite na dno a meko na vrh, uzimajući u obzir specifične težine povrća.

Ne ostavljajte povrće u posudi za povrće u plastičnim vrećicama. Ostavljanje u plastičnim vrećicama dovodi do toga da povrće brzo istruli. U situacijama kada kontakt sa drugim vrstama povrća nije poželjan, koristite materijal za pakiranje kao što je papir koji ima određenu poroznost u pogledu higijene.

Nemojte stavljati voće koje ima visoku proizvodnju etilena, kao što su kruška, kajsija, breskva, a naročito jabuka, u istu posudu za povrće sa drugim povrćem i voćem. Etilen koji izlazi iz ovog voća može da dovede do bržeg sazrijevanja i truljenja drugog voća i povrća.

5.10. Automatska mašina za led

* Opcionalno

Automatska mašina za led vam omogućuje da brže pravite led u hladnjaku. Da bi se dobio led iz mašine za led, izvadite rezervoar za vodu iz odjeljka hladnjaka, napunite vodom i vratite ga nazad.

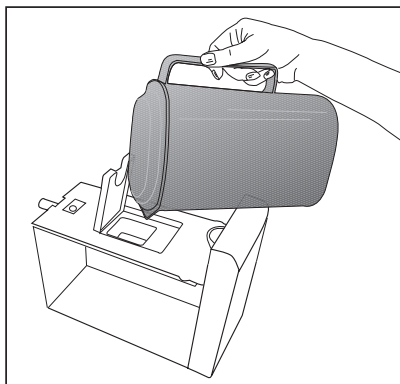
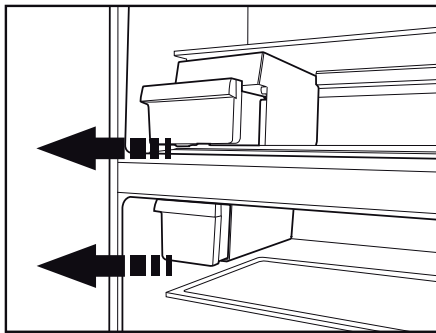
Prvi led će biti spreman za oko 2 sata u fioci mašine za led u odjeljku hladnjaka.

Kada stavite pun rezervoar za vodu, možete dobiti oko 60-70 kocki leda dok se on potpuno ne isprazni.

Ako voda u rezervoaru stoji 2-3 sedmice, ona treba da se promjeni.



Na proizvodima sa automatskom mašinom za led, može se čuti zvuk prilikom sipanja proizvoda. Ovaj zvuk je normalan i ne označava kvar.



Korištenje proizvoda

5.11. Icematic i posuda za čuvanje leda

* Opcionalno

Korištenje odjeljka Icematic

Napunite Icematic vodom i postavite ga na mjesto. Led će biti spreman nakon otprilike dva sata. Za vađenje leda, ne skidajte Icematic sa njegovog mjesta.

Okrenite tipke na rezervoarima za led za 90 stupnjeva u smjeru kretanja kazaljke na satu.

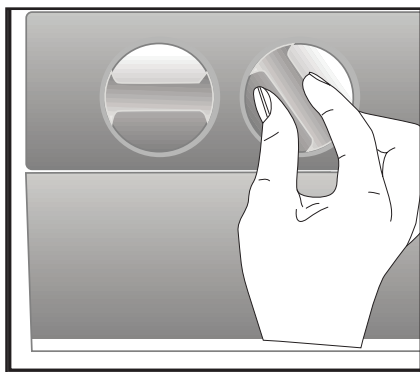
Kocke leda u rezervoarima će pasti u donju posudu za čuvanje leda.

Tada možete izvaditi posudu za čuvanje leda i poslužiti led.

Ako želite, možete čuvati kocke leda u posudi za čuvanje leda.

Posuda za čuvanje leda

Posuda za čuvanje leda je namijenjena samo za sakupljanje kocki leda. Ne stavljajte vodu u nju. U protivnom, ona će se polomiti.



5.12. Korištenje automata za vodu

* Opcionalno



Normalno je da prvih nekoliko čaša vode sipanih iz automata za vodu budu tople.

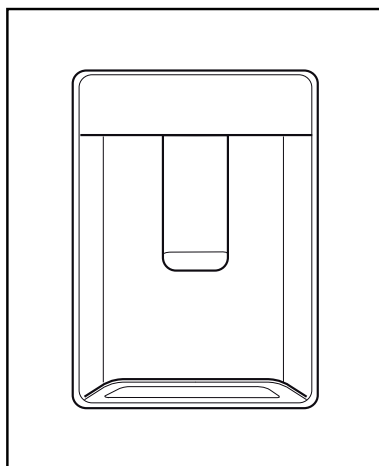


Ako se aparat za vodu ne koristi duže vrijeme, prosipajte prvih nekoliko čaša da biste dobili svježju vodu.

1. Čašom gurnite ručicu rezervoara za vodu. Ako koristite meku plastičnu čašu, jednostavnije je da ručicu gurnete rukom.
2. Nakon punjenja čaše do željenog nivoa, pustite ručicu.



Imajte na umu da protok vode iz automata ovisi o tome koliko jako pritisnete ručicu. Kako nivo vode u plastičnoj/staklenoj čaši raste, lagano smanjite količinu pritiska na polugu kako biste izbjegli da se ona prepuni. Ako lagano pritisnete ručicu, voda će da kaplje; ovo je sasvim normalno i nije kvar.



Korištenje proizvoda

5.13. Punjenje rezervoara automata vodom

Rezervoar za vodu koji se dopunjuje se nalazi na polici na vratima.

1. Otvorite poklopac rezervoara.
2. Napunite rezervoar svježom vodom za piće.
3. Zatvorite poklopac.



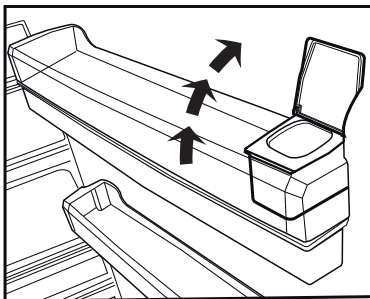
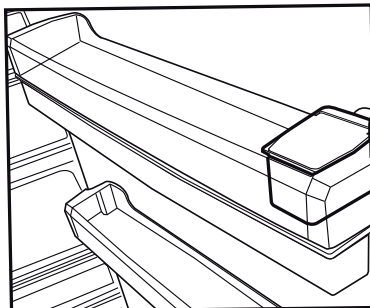
Rezervoar za vodu ne punite drugim tekućinama, kao što su voćni sokovi, gazirana pića ili alkoholna pića koja nisu pogodna za korištenje u aparatu za vodu. Aparat za vodu će biti nepopravljivo oštećen ukoliko se koriste ovakve vrste tekućina. Garancija ne pokriva takve načine korištenja. Neke kemijske supstance i aditivi koji se nalaze u ovim vrstama pića/tekućina mogu da oštete rezervoar za vodu.



Koristite samo čistu vodu za piće.



Kapacitet rezervoara za vodu je 3 litra, nemojte ga prepunjavati.



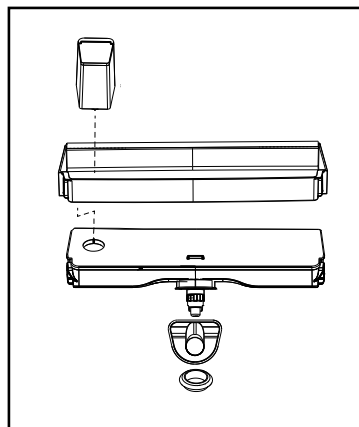
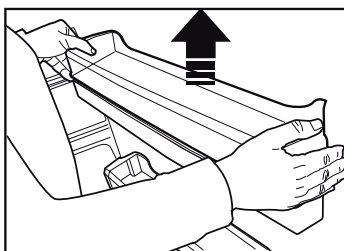
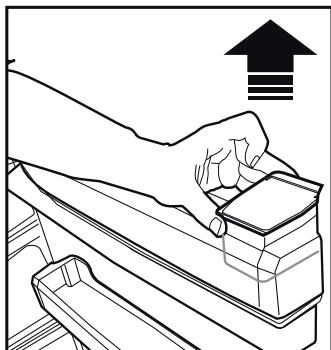
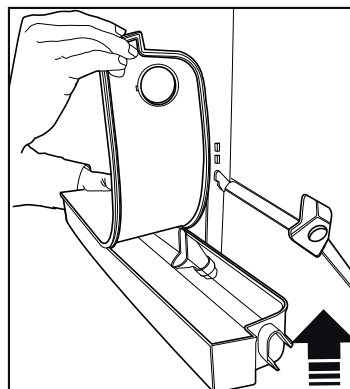
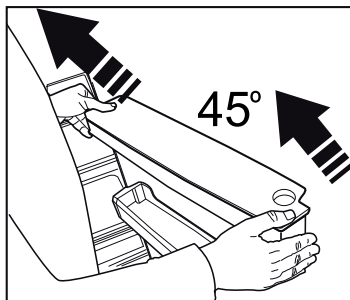
Korištenje proizvoda

5.14. Čišćenje rezervoara za vodu

1. Uklonite rezervoar za punjenje vode sa police na vratima.
2. Skinite policu sa vratima tako što ćete je držati sa obje strane.
3. Uхватite rezervoar za vodu sa obje strane i skinite ga tako što ćete ga okrenuti za 45°C.
4. Skinite poklopac rezervoara za vodu i očistite rezervoar.



Komponente rezervoara za vodu i aparata za vodu ne treba prati u mašini za pranje posuđa.



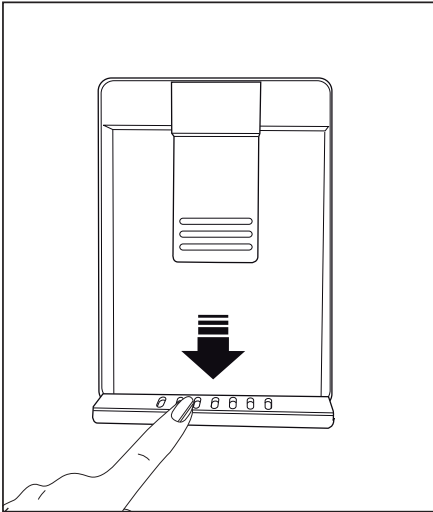
Korištenje proizvoda

5.15. Posuda za kapanje

Voda koja kaplje tokom korištenja aparata za vodu se sakuplja u posudi za sakupljanje vode.

Skinite plastični filter kao što je prikazano na slici.

Sakupljenu vodu pokupite čistom suhom krpom.



Korištenje proizvoda

5.16. Zamrzavanje svježe hrane

- Za očuvanje kvaliteta hrane, hrana stavljena u odjeljak zamrzivača se mora zamrznuti što je brže moguće, za ovo možete koristiti brzo zamrzavanje.
- Zamrzavanje hrane kada je svježija će produžiti vrijeme skladištenja u zamrzivaču.
- Spakujte hranu u hermetički zatvorene pakete i čvrsto je zapečatite.
- Pobrinite se da hrana bude upakovana prije stavljanja u zamrzivač. Koristite posude za zamrzavanje, staniol i vodootporni papir, plastične vreće ili sličnu ambalažu umjesto tradicionalne papirne ambalaže.



Led u odjeljku zamrzivača se automatski topi.

- Označite svaki paket hrane pisanjem datuma na pakovanju prije zamrzavanja. To će vam omogućiti da utvrdite svježinu svakog paketa svaki put kad se zamrzivač otvori. Hranu koju ste ranije stavili prebacite u prednji dio zamrzivača da biste je ranije upotrebili.
- Smrznuta hrana se mora iskoristiti odmah nakon odmrzavanja i ne treba je ponovno zamrzavati.
- Ne zamrzavajte velike količine hrane odjednom.

5.17. Preporuke za skladištenje smrznute hrane

Odjeljak mora biti postavljen na najmanje -18 °C.

1. Stavite hranu u zamrzivač što je brže moguće da bi se izbjeglo otapanje.
2. Prije zamrzavanja, provjerite „Rok trajanja“ na pakovanju kako biste bili sigurni da nije istekao.
3. Pobrinite se da pakovanje hrane nije oštećeno.

Podešavanje temperature odjeljka zamrzivača	Podešavanje temperature odjeljka hladnjaka	Detalji
-18°C	4°C	Ovo je podrazumijevano, preporučeno podešavanje.
-20, -22 ili -24°C	4°C	Ova podešavanja se preporučuju za temperature okoline veće od 30°C.
Brzo zamrzavanje	4°C	Koristite kada želite da zamrznete hranu u kratkom vremenskom periodu. Kada se ovaj proces završi, proizvod će povratiti svoj položaj.
-18 ° C ili hladniji	2°C	Koristite ova podešavanja ako smatrate da odjeljak hladnjaka nije dovoljno hladan zbog temperature okoline ili čestog otvaranja vrata.

Korištenje proizvoda

5.18. Detalji zamrzivača za duboko zamrzavanje

Prema standardima IEC 62552, zamrzivač mora imati sposobnost da zamrzne 4,5 kg prehrambenih artikala na -18 °C ili niže temperature u roku od 24 sata na svakih 100 litara zapremine zamrzivača.

Hrana se može čuvati duži period samo na temperaturi od -18 °C ili nižoj.

Svežina hrane se može održati mjesecima (u zamrzivaču na temperaturi od 18 °C ili nižoj). Hrana za zamrzavanje ne smije dodirivati već smrznutu hranu kako bi se izbjeglo parcijalno odmrzavanje.

Skuhajte povrće i filtrirajte vodu da produžite vremena skladištenja u smrznutom stanju. Stavite hranu u hermetičke pakete nakon filtriranja i stavite je u zamrzivač. Banane, paradajz, zelena salata, celer, kuhana jaja, krumpir i slične prehrambene artikle ne treba zamrzavati. Ako ova hrana istruli, to će negativno uticati samo na nutritivne vrijednosti i kvalitet ishrane. Truljenje neće imati negativan utjecaj na zdravlje ljudi.

5.19. Stavljanje hrane

Police odjeljka zamrzivača	Razne vrste smrznute hrane, uključujući meso, ribu, sladoled, povrće itd
Police odjeljka za hlađenje	Hrana u loncima, pokrivena tanjirima i u zatvorenim kutijama, jaja (u slučaju da su u zatvorenoj kutiji)
Police na vratima odjeljka za hlađenje	Mala i upakovana hrana ili pića
Kutija za povrće	Voće i povrće

Odjeljak za svježu hranu	Delikatesi (hrana za doručak, proizvodi od mesa koji se konzumiraju u kratkom roku)
--------------------------	---

5.20. Upozorenje na otvorena vrata (Opcionalno)

Zvučno upozorenje će se čuti ako vrata proizvoda ostanu otvorena duže od 1 minuta. Zvučno upozorenje će se zaustaviti kada se vrata zatvore ili se pritisne bilo koja tipka na ekranu (ako je dostupno).

Upozorenje na otvorena vrata označit će se i zvučno i vizualno. Unutrašnje osvjetljenje će se isključiti ako upozorenje potraje još 10 minuta.

5.21. Promjena smjera otvaranja vrata

Smjer otvaranja vrata hladnjaka možete promijeniti ovisno o lokaciji na kojoj ga koristite. Kada vam ovo bude potrebno, kontaktirajte najbliži ovlašteni servis.

Objašnjenje iznad je opšta izjava. Treba da provjerite oznaku upozorenja koja se nalazi u ambalaži proizvoda o mogućnosti promjene smjera otvaranja vrata.

5.22. Unutrašnje osvjetljenje

Unutrašnje osvjetljenje koristi lampe LED tipa. Kontaktirajte ovlašteni servis u slučaju problema sa ovom lampom.

Lampica(e) korištena(e) u ovom uređaju ne mogu se koristiti za kućno osvjetljenje. Namjena ove lampice je da pomogne korisniku da sigurno i praktično stavi hranu u hladnjak/zamrzivač.

Korištenje proizvoda

5.23. Plavo svjetlo/HarvestFresh

*Možda nije dostupno kod svih modela

Za plavo svjetlo,

Voće i povrće pohranjeno u odjeljcima za voće i povrće osvjetljenim plavim svjetlom nastavlja da vrši fotosintezu pomoću efekta valnih duljina plave svjetlosti i na taj način sadržaj vitamina u njima ostaje sačuvan.

Za HarvestFresh,

Voće i povrće pohranjeno u odjeljcima za voće i povrće osvjetljenim tehnologijom HarvestFresh duže će održati vitamine u sebi zahvaljujući plavim, zelenim, crvenim svjetlima i ciklusima mraka, koji simuliraju dnevni ciklus.

Ako otvorite vrata hladnjaka tokom perioda mraka tehnologije HarvestFresh, hladnjak će to automatski registrovati i omogućiti da plavo, zeleno ili crveno svjetlo osvjetle odjeljke za voće i povrće, radi vaše ugodnosti. Nakon što zatvorite vrata hladnjaka, period mraka će se nastaviti, predstavljajući period noći tokom dnevnog ciklusa.

5.24. Mijenjanje lampice za osvjetljenje

Da biste promijenili lampicu/LED za osvjetljenje u frižideru, pozovite ovlaštenu servis.

Lampa (e) koji se koristi u ovom uređaju nije prikladna za kućno osvjetljenje. Cilj ove lampe je da pomogne korisniku da postavi hranu u hladnjak/zamrzivač na siguran i ugodan način. Lampice koje se koriste u ovom uređaju moraju podnositi ekstremne fizičke uslove kao što su temperature ispod -20°C.

Ovaj je proizvod opremljen izvorom osvjetljenja energetskog razreda „G”.

Izvor osvjetljenja u ovom proizvodu mogu zamijeniti samo stručni serviseri.

Vijek trajanja proizvoda se povećava ako se on redovito čisti



UPOZORENJE: Prije čišćenja, hladnjak prvo isključite iz struje.

- Za čišćenje nikada nemojte koristiti oštre i abrazivne alate, sapun, sredstva za čišćenje u domaćinstvu, deterdžent i vosak za poliranje.
- Rastvorite jednu kašičicu karbonata u pola litre vode. Krpu natopite rastvorom i temeljito je iscijedite. Ovom krpom obrišite unutrašnjost uređaja i temeljito isperite.
- Vodite računa da voda ne uđe u kućište lampe i druge električne komponente.
- Očistite vrata vlažnom krpom. Za skidanje polica na vratima i u hladnjaku, prvo sklonite sve što se nalazi na njima. Police na vratima skinite tako što ćete ih povući nagore. Nakon čišćenja, gurnite ih odozgo na dolje da biste ih postavili.
- Nikada nemojte koristiti sredstva za čišćenje niti vodu koja sadrži klor za čišćenje spoljnih površina i dijelova proizvoda obloženih hromom. Klor izaziva koroziju na takvim metalnim površinama.
- Ne koristite oštra, abrazivna sredstva, sapun, sredstva za čišćenje u domaćinstvu, kerozin, lož ulje, lak, itd. da biste spriječili skidanje i deformaciju štampe na plastičnim dijelovima. Za čišćenje koristite mlaku vodu i meku krpu, potom osušite brisanjem.

6.1. Izbjegavajte neugodne mirise

Materijali koji mogu da izazovu neugodne mirise nisu korišteni u proizvodnji naših uređaja. Međutim, zbog neodgovarajućih uslova čuvanja hrane i neredovnog čišćenja unutrašnje površine uređaja, može se razviti problem sa neugodnim mirisima. Stoga, hladnjak čistite karbonatom rastvorenim u vodi na svakih 15 dana.

- Hranu čuvajte u zatvorenim posudama. Mikroorganizmi koji se šire iz nezatvorenih posuda mogu da prouzrokuju neugodne mirise.

- Hranu sa isteklim rokom trajanja i pokvarenu hranu nikada ne čuvajte u hladnjaku.

6.2. Zaštita plastičnih površina

Ruke odmah isperite vodom pošto ulje može da izazove oštećenja površine kada se sipa na plastične površine.

6.3. Stakla na vratima

Skinite zaštitnu foliju sa stakala.

Skinite oblogu sa površine stakala. Ova obloga smanjuje nagomilavanje mrlja i pomaže u lakom uklanjanju mogućih mrlja i prljavštine. Stakla koja nisu zaštićena takvom oblogom mogu biti podložna upornom vezivanju zraka ili vode na osnovu organske ili neorganske prljavštine kao što je kamenac, mineralne soli, nesagorijeli ugljovodonici, oksidi metala i silikoni koji mogu lako i brzo izazvati mrlje ili oštećenje materijala. Održavanje stakala čistim postaje suviše teško usprkos redovitom čišćenju. Kao posljedica toga, izgled i providnost stakla se pogoršava. Agresivne i korozivne metode čišćenja i jedinjenja će povećati ova oštećenja i ubrzati proces propadanja.

Sredstva za čišćenje na bazi vode koja nisu alkalna i korozivna se moraju koristiti u svrhe redovitog čišćenja.

Za čišćenje se moraju koristiti materijali koji nisu alkalni i nisu korozivni tako da se produži vijek trajanja ove obloge.

Ovo staklo je ojačano kako bi se povećala njegova izdržljivost na utjecaje i pucanje. Sigurnosna folija se također nanosi na stražnje površine kao dodatna sigurnosna mjera da bi se spriječilo da ona izazovu oštećenja na okolnim predmetima ukoliko puknu.

*Alkali su baze koje formiraju jone hidroksida (OH) kada se rastvaraju u vodi.

Metali Li (litij), Na (natrij), K (kalij) Rb (rubidij), Cs (cezij) i vještački i radioaktivni Fr (francij) nazivaju se ALKALNI METALI.

Provjerite ovu listu prije kontaktiranja servisa. Na taj način ćete uštedjeti vrijeme i novac. Ova lista uključuje česte pritužbe koje se ne odnose na neispravne izradu ili materijale. Određene navedene odlike mogu se ne odnositi na vaš proizvod.

Frižider ne radi.

- Utikač nije u potpunosti utaknut. >>> *Uključite ga u potpunosti u utičnicu.*
- Osigurač povezani na šтекer koji napaja proizvod ili glavni osigurač je eksplodirao. >>> *Provjerite osigurače.*

Kondenzacija na bočnom zidu hladnjaka (MULTI ZONA, HLADNO, KONTROLA I FLEXI ZONA).

- Okruženje je previše hladno. >>> *Ne postavljajte proizvod u sredinama s temperaturama ispod -5 °C.*
- Vrata su se otvorila prečesto >>> *Pazite da ne otvorite vrata proizvoda prečesto.*
- Okruženje je previše vlažno. >>> *Ne postavljati proizvod u vlažnim sredinama.*
- Hrana koja sadrži tekućine se čuvaju u otvorenim posuđem. >>> *Držite hranu koja sadrži tekućine zatvorenu.*
- Vrata proizvoda je ostala otvoreno. >>> *Nemojte držati vrata proizvoda otvorene tokom dugih perioda.*
- Termostat je podešen na suviše niske temperature. >>> *Podesite termostat na odgovarajuću temperaturu.*

Kompresor ne radi.

- U slučaju iznenadnog nestanka struje ili povlačenjem utikača i onda vraćanja, pritisak plina u sistemu hlađenja proizvoda nije izbalansiran i to pokreće termičku zaštitu kompresora. Proizvod će se ponovo pokrenuti nakon oko 6 minuta. Ako proizvod se nije ponovo pokrenuo nakon tog perioda, kontaktirajte servis.
- Odmrzavanje je aktivno. >>> *To je normalno za potpuno automatsko odmrzavanje proizvoda. Odmrzavanje se obavlja periodično.*
- Proizvod nije priključen >>> *Pobrinite se da je napajanje priključeno*
- Postavka temperature je pogrešna. >>> *Odaberite odgovarajuću postavku temperature.*
- Nestalo je struje. >>> *Proizvod će nastaviti normalno raditi kada struja opet dođe.*

Radna buka frižidera se povećava dok je u upotrebi.

- Operativni performanse proizvoda može se razlikovati ovisno o varijacije temperature okoline. To je normalno i ne predstavlja kvar.

Frižider radi prečesto ili predugo.

Rješavanje problema

- Novi proizvod može biti veći od prethodnog. Veći proizvodi će duže raditi.
- Sobna temperatura može biti visoka. >>> *Proizvod će normalno raditi za duže periode kod višu temperaturu sobe.*
- Proizvod je možda nedavno uključen ili nove hrane su unutra. >>> *Proizvodu će trebati više vremena da dostigne zadanu temperaturu kada je nedavno uključen ili kada ima novih hrana unutra. To je normalno.*
- Velike količine tople hrane možda su nedavno postavljeni u proizvod. >>> *Ne stavljajte toplu hranu u proizvod.*
- Vrata su se otvorila često ili su bila otvorena dužeg vremena. >>> *Topli zrak koji se kreće unutar će izazvati da proizvod više radi. Ne otvarajte vrata prečesto.*
- Vrata zamrzivača ili hladnjaka mogu biti odškrinuta. >>> *Provjerite da li su vrata potpuno zatvorena.*
- Proizvod možda je postavljen na prenisku temperaturu. >>> *Postavite temperaturu na viši stupanj i čekati da dođe do podešenu temperaturu.*
- Gumica vrata hladnjak ili zamrzivača možda je prljava, istrošen, slomljena ili nije pravilno postavljena. >>> *Očistite ili zamijenite gumicu. Oštećena / pocepana gumica vrata će uzrokovati da proizvod radi duži period za očuvanje trenutne temperature.*

Temperatura zamrzivača je veoma niska, ali je temperatura hladnjaka adekvatna.

- Temperatura odjeljka Zamrzivač je postavljena na vrlo niskim stepenom. >>> *Podesite temperaturu zamrzivača na viši stupanj i provjerite još jednom.*

Temperatura hladnjaka je vrlo niska, ali temperatura zamrzivača je adekvatna.

- Temperatura hladnjaka je postavljena na vrlo nizak stupanj. >>> *Postavite temperatura hladnjaka na viši stupanj i provjerite još jednom.*

Hrana koja je u hladnjaku je zamrznula.

- Temperatura hladnjaka je postavljena na vrlo nizak stupanj. >>> *Podesite temperaturu zamrzivača na viši stupanj i provjerite još jednom.*

Temperatura u hladnjaku ili zamrzivaču je previsoka.

- Temperatura hladnjaka je postavljena na vrlo visoki stupanj. >>> *Postavka temperature hladnjaka utječe na temperaturu zamrzivača. Promijenite temperature hladnjaka ili zamrzivača i sačekajte da relevantne pregrade dostigne podešeni nivo temperature.*
- Vrata su se otvorila često ili su bila otvorena dužeg vremena. >>> *Ne otvarajte vrata prečesto.*
- Vrata mogu biti odškrinuta. >>> *Potpuno zatvorite vrata.*
- Proizvod je možda nedavno uključen ili nove hrane su unutra. >>> *To je normalno. Proizvodu će trebati više vremena da dostigne zadanu temperaturu kada je nedavno uključen ili kada ima novih hrana unutra.*
- Velike količine tople hrane možda su nedavno postavljeni u proizvod. >>> *Ne stavljajte toplu hranu u proizvod.*

Drhtanje ili buke.

- Tlo nije ravno ili izdržljivo. >>> *Ako se proizvod tresu kada se polako pomiče, prilagoditi nogare za uravnoteženje proizvoda. Također pazite da je tlo dovoljno izdržljivo da nosi proizvoda.*
- Svi predmeti na proizvodu mogu izazvati buku. >>> *Uklonite sve predmete koje se nalaze na proizvodu.*

Proizvod daje buku kao kad tekućine teče, prskanje itd.

Rješavanje problema

- Operativni principi proizvoda uključuju tokovi tekućina i plina. >>> *To je normalno i ne predstavlja kvar.*

Ima zvuk vjetra koji puše koji dolazi iz proizvoda.

- Proizvod koristi ventilator za proces hlađenja. To je normalno i ne predstavlja kvar.

Postoji kondenzacije na unutrašnjim zidovima proizvoda.

- Vruće ili vlažno vremenu će povećati zaleđivanje i kondenzacije. To je normalno i ne predstavlja kvar.
- Vrata su se otvorila često ili su bila otvorena dužeg vremena. >>> *Ne otvarajte vrata prečesto, ako su otvorena, zatvorite vrata.*
- Vrata mogu biti odškrinuta. >>> *Potpuno zatvorite vrata.*

Postoji kondenzacije na vanjske površine proizvoda ili između vrata.

- Spoljašni vazduh može biti vlažan, to je sasvim normalno u vlažnom vremenu. >>> *Kondenzacija će nestati kada se smanjuje vlažnost.*

Unutrašnjost smrdi.

- Proizvod se redovno ne čiste. >>> *Redovno čistite unutrašnjost pomoću spužve, toplom vodom i gaziranom vodom.*
- Pojedini držači i materijale za pakovanje mogu izazvati mirise. >>> *Koristite držače i materijale za pakovanje bez mirisa.*
- Hrane su bili smješteni u otvorenim posuđem. >>> *Držite hranu u zatvorenim posuđem. Mikroorganizmi mogu se proširiti od nezapečaćenih prehrambenih artikala i izazvati loši miris.*
- Uklonite iz proizvoda sve hrane kojima je istekao rok ili su pokvarene.

Vrata se ne zatvaraju.

- Paketi hrane može blokiraju vrata. >>> *Relocirajte stvari koji blokiraju vrata.*
- Proizvod ne stoji u potpuno uspravnom položaju. >>> *Podesite nogare za uravnoteženje proizvoda.*
- Tlo nije ravno ili izdržljivo. >>> *Pobrinite se da je tlo ravno i dovoljno izdržljivo da nosi proizvoda.*

Kutija za povrća je zaglavljena.

- Hrana može biti u kontaktu sa gornjem dijelu ladice. >>> *Reorganizovati prehrambenih artikala u ladici.*

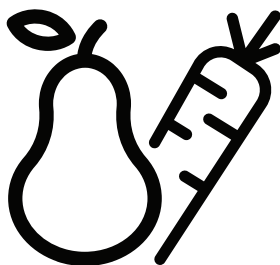


UPOZORENJE: Ako problem i dalje postoji nakon što ste slijedeli upute u ovom poglavlju, obratite se prodavcu ili ovlaštenom servisu. Nemojte pokušavati popraviti proizvod.



Фрижидер
Упутство за употребу

Frigorifer
Manual Udhëzim



RCNE560E40ZXPN - RCNE560E40DSN - RCNE560E60ZXRN -
RCNE560E60ZXPN - KG560E50ZXPCHN



SB / SQ /

58 5031 0000/AK

5/6

Poštovani potrošaču,

Mi želimo postići optimalnu efikasnost naših proizvoda, proizvodi koji su proizvedeni u modernim objektima s pedantnom kontrole kvaliteta.

Za to, molimo vas da potpuno pročitate korisnička uputstva pre upotrebe proizvoda i zadržati ih kao izvor referenca. Ako predate proizvod drugoj osobi, predati ova uputstva uz proizvod.

Korisnička uputstva osiguravaju brzu i sigurnu upotrebu proizvoda.



- Molimo pročitate korisnička uputstva pre instaliranja i upotrebe proizvoda.
- Obavezno se pridržavati važećih sigurnosnih uputa.
- Držite korisnička uputstva na dohvat ruke za upotrebu u budućnosti.
- Molimo vas pročitate sve ostale papire koje ste dobili uz proizvod.

Obratite pažnju da se ovaj korisnički vodič može primjenjivati na nekoliko modela proizvoda. Uputstva jasno ukazuju na varijacije različitih modela.

Simboli i primedbe

Sljedeći simboli se koriste u ova korisnička uputstva:

	Važne informacije i korisne savete.
	Opasnost po života i imovine.
	Opasnost od udara struje.
	Ambalaža proizvoda je napravljena od sirovina koje se mogu reciklirati, u skladu sa Zakonodavstvom nacionalne okoline.

 PODACI	
	Podaci o modelu sačuvani u bazi podataka o proizvodu mogu se dobiti unosom sledeće internet stranice i pretragom po identifikacionom broju vašeg modela (*) koji se nalazi na oznaci potrošnje električne energije. https://eprel.ec.europa.eu/

1 Uputstva o sigurnosti i okoline	3	5.3. Držač za jaja	14
1.1. Namena	3	5.4. Ventilator	15
Opšta sigurnost	3	5.5. Korpa za povrće	15
1.1.1 HC upozorenja	5	5.6. Posuda (u hladnjaku) frižidera	15
1.1.2 Za modele s česmom	5	5.7. Pokretna polica na vratima	16
1.2. Namjena	5	5.8. Klizna kutija za odlaganje	16
1.3. Sigurnost dece	6	5.9. Posuda za povrće sa kontrolom vlažnosti	17
1.4. Usklađenost s direktivom WEEE i Bacanje otpadnog proizvoda	6	5.10. Automatska mašina za led	17
1.5. Usklađenost sa RoHS direktivom	6	5.11. Icematic i posuda za čuvanje leda	18
1.6. Informacija o ambalaži	6	5.12. Korišćenje automata za vodu	18
2 Vaš frižider	7	5.13. Punjenje rezervoara automata vodom	19
3 Instalacija	8	5.14. Čišćenje rezervoara za vodu	20
3.1. Pravo mesto za instalaciju	8	5.15. Posuda za sakupljanje vode	21
3.2. Postavljanje plastičnih klinova	8	5.16. Zamrzavanje sveže hrane	22
3.3. Podešavanje podnožja	8	5.17. Preporuke za čuvanje smrznute hrane	22
3.4. Priključivanje napajanja	9	5.18. Informacije o zamrzivaču	23
4 Priprema	10	5.19. Stavljanje hrane	23
4.1. Šta možete uraditi da biste uštedeli energiju	10	5.20. Upozorenje na otvorena vrata	23
4.2. Prvo upotreba	11	5.21. Promena smera otvaranja vrata	23
4 Priprema	11	5.22. Unutrašnje osvetljenje	23
5 Korišćenje proizvoda	12	6 Održavanje i čišćenje	24
5.1. Tabla sa indikatorima	12	6.1. Izbegavajte neprijatne mirise	24
5.2. Fioka za led	14	6.2. Zaštita plastičnih površina	24
		6.3. Stakla na vratima	24
		7 Rješavanje problema	25

Ovo deo sadrži sigurnosne upute potrebne da bi uklonili rizik od ozlede i materijalne štete. Nepoštovanje ovih uputa će poništiti sve vrste garancije proizvoda.

1.1. Namena

⚠	<p>UPOZORENJE: Ventilacione otvore na uređaju ili ugrađenoj strukturi održavajte bez prepreka.</p>
⚠	<p>UPOZORENJE: Za ubrzavanje procesa odmrzavanja koristite samo mehaničke uređaje ili druga sredstva koja je preporučio proizvođač.</p>
⚠	<p>UPOZORENJE: Vodite računa da ne oštetite rashladno kolo.</p>
⚠	<p>UPOZORENJE: Ne koristite električne uređaje u odeljcima za skladištenje hrane, osim ako oni ne pripadaju tipu koji je preporučio proizvođač.</p>

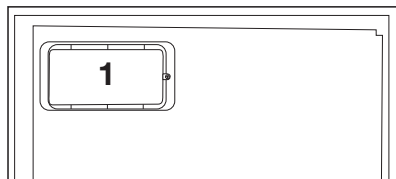
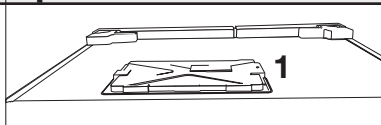
Uređaj je namenjen za korišćenje u domaćinstvu i za slične namene, kao što su

- u kuhinjama rezervisanim za osoblje prodavnice, kancelarije i druga područja poslovanja;
- na seoskim kućama i za goste u hotelima, motelima i drugim okruženjima stambenog tipa.

Opšta sigurnost

- Ovaj proizvod ne trebaju ga koristiti osobe sa fizičkim, senzornim i mentalnim invaliditetom, osobe bez dovoljno znanja i iskustva ili djeca. Proizvod se može koristiti od takvih osoba jedino pod nadzorom i instrukcijama osobe odgovorne za njihovu bezbednost. Ne ostavljati da se deca igraju sa ovim uređajem.
- U slučaju kvara, isključite uređaj.
- Nakon isključivanja, sačekajte najmanje 5 minuta pre nego što ga ponovo uključite. Isključite proizvod kada ga ne upotrebljavate. Ne dirati utikač mokrim rukama! Ne vucite kabla da bi ga isključili, uvek držite utikač.
- Ne uključujete frižider, ako utičnica je labava.
- Isključite proizvod prilikom instalacije, održavanja, čišćenja i popravke.
- Ako nećete proizvod koristiti neko vrijeme, isključite ga i izvadite hranu iznutra.
- Nemojte koristiti paru ili materijala za čišćenje na paru da bi čistili frižidera i za topljenje leda unutra. Para može doći u kontakt sa elektrificiranim područjima i uzrokovati kratkog spoja ili strujnog udara!
- Ne perite proizvod prskanjem ili sipanjem vodu na njega! Opasnost od strujnog udara!
- Nikada nemojte koristiti proizvod ako je otvoren odeljak koji se nalazi na vrhu ili poleđini vašeg proizvoda i koji sadrži elektronske štampane ploče (poklopac elektronskih štampanih ploča) (1).

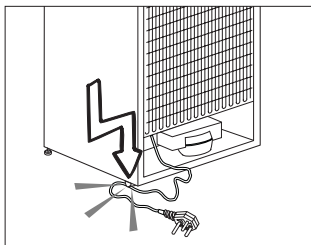
Uputstva o bezbednosti i zaštiti životne sredine



- U slučaju neispravnosti, ne koristite proizvod, jer to može dovesti do strujnog udara. Kontaktirajte ovlašćeni servis pre nego šta uradite bilo šta.
- Priključiti uređaj u utičnicu sa uzemljenjem. Uzemljenje mora biti urađeno sa strane obučenog električara.
- Ako proizvod ima rasvjetu tipa LED, kontaktirajte ovlašćeni servis za zamjenu ili u slučaju bilo kakvog problema.
- Ne dirajte smrznute hrane mokrim rukama! Mogu se zalijepiti na vašim rukama!
- U zamrzivaču ne postavljati tečnosti u boce i limenke. Oni mogu izbiti!
- Postavite tečnosti u vertikalnom položaju nakon što snažno zatvorite poklopac.
- Ne prskati zapaljive materije u blizini proizvoda, jer oni se mogu zapaliti ili eksplodirati.
- Ne držite zapaljive materijale i proizvode sa zapaljivim plinom (sprejevi, itd) u frižideru.
- Ne postavljajte sudove sa tečnostima na vrhu proizvoda. Polivanje vode na elektrificiranom

delu može dovesti do strujnog udara i opasnost od požara.

- Ako izložite proizvod na kišu, snijeg, sunca i vjetar, to će izazvati električne opasnosti. Kada selite proizvod, nemojte ga vući za kvaku. Ručka se može izvaditi.
- Vodite računa da se izbjegne hvatanje bilo koji dio vaših ruka ili tela u bilo koji od pokretnih delova unutar proizvoda.
- Nemojte stajati ili naslanjati se na vrata, ladice i slične delove frižidera. To će uraditi da proizvod padne i to će izazvati oštećenje delova.
- Vodite računa da ne zahvatite napajni kabl .
- Prilikom postavljanja uređaja, pazite da kabl za napajanje nije zarobljen ili oštećen.
- Ne postavljajte više portabl utičnica ili prijenosnih napajanja na stražnjoj strani uređaja.



- **Za vaš Side by Side frižider potreban je priključak za vodu. Ako još uvek ne postoji slavina za vodu i treba da pozovete vodoinstalatera, imajte na umu sledeće: Ako u vašoj kući postoji podni sistem za grejanje, imajte na umu da bi bušenje rupa na betonu moglo da prouzrokuje štete na sistemu za grejanje.**

Uputstva o bezbednosti i zaštiti životne sredine

- Deci uzrasta od 3 do 8 godina dozvoljeno je da pune i prazne uređaje za hlađenje.
- Da biste izbegli kontaminaciju hrane, pridržavajte se sledećih uputstava:
 - - Otvaranje vrata na duže vreme može izazvati značajno povećanje temperature u odeljci frižidera.
 - - Redovno čistite površine koje mogu doći u kontakt sa hranom i pristupačnim sistemima za odvodnjavanje.
- Očistite rezervoare za vodu ako nisu korišćeni 48 sati; isperite vodeni sistem povezan sa dovodom vode ako voda nije vučena 5 dana.
- - Sirovo meso i ribu čuvajte u odgovarajućim kontejnerima u frižideru, tako da nije u kontaktu sa ili kapaju na drugu hranu.
- Odeljci sa zamrznutom hranom sa dve zvezdice su pogodni za skladištenje prethodno zamrznute hrane, skladištenje ili pripremanje sladoleda i pravljenje kockica leda.
- - Odeljci sa jednim, dva i tri zvezdice nisu pogodni za zamrzavanje sveže hrane.
- Ako je rashladni uređaj ostavljen prazan duže vrijeme, isključite ga, odmrznite, očistite, osušite i ostavite
- vrata otvorena kako bi se sprečilo stvaranje plijesni unutar uređaja.

1.1.1 HC upozorenja

Ako proizvod ima sistem za hlađenje koji sadrži gasa R600a, obratite pažnju

da se izbegne oštećenje sistema za hlađenje i njegove cevi dok koristite i premeštate proizvod. Taj je gas zapaljiv. Ako je sistem za hlađenje oštećen, držite proizvod podalje od izvora vatre i odmah provetrite sobu.



Nalepnica na unutarnjoj levoj strani pokazuje vrstu gasa koji se koristi u proizvodu.

1.1.2 Za modele s česmom

- Pritisak za dovod hladne vode je maksimalno (90)620 kPa. Ukoliko pritisak vode premašuje 550 kPa, u glavnom vodu upotrebite ventil za ograničavanje pritiska. Ako ne znate kako se proverava pritisak vode, zatražite pomoć vodoinstalatera.
- Ukoliko u vašim instalacijama postoji rizik od efekta vodenog udara, u instalacijama uvek koristite opremu za sprečavanje vodenog udara. Posavetujte se sa vodoinstalaterom ukoliko niste sigurni da li u vašim instalacijama postoji efekat vodenog udara.
- Ne montirati na dovod za toplu vodu. Preduzmite mere opreza protiv rizika od smrzavanja cevi. Raspon temperature vode je od minimalno 0,6°C do maksimalno 38°C.
- Koristite samo vodu za piće.

1.2. Namjena

- Ovaj proizvod je namjenjen za domaću upotrebu. On nije namjenjen za komercijalnu upotrebu.

Uputstva o bezbednosti i zaštiti životne sredine

- Trebate proizvoda koristiti jedino za čuvanje hrane i pića.
- Nemojte držati osetljive proizvode koji traže kontroliranu temperaturama (kao što su vaccine, lekove osetljive na toplotu, sanitetski materijal itd.) u frižideru.
- Proizvođač ne preuzima nikakvu odgovornost za bilo kakvu štetu nastale zbog zloupotrebe ili neispravne upotrebe.
- Originalni rezervni delovi će biti obezbeđeni za 10 godina od dana nabavke proizvoda.

1.3. Sigurnost dece

- Držite ambalažu van dohvata dece.
- Nemojte dopustiti deci da se s proizvodom igraju.
- Ako vrata proizvoda imaju bravu, držite ključ van dohvata dece.

1.4. Usklađenost s direktivom WEEE i Bacanje otpadnog proizvoda

Ovaj proizvod je usklađen s Direktivom EU WEEE (2012/19/EU). Ovaj proizvod nosi simbol klasifikacije za otpad električne i elektronske opreme (WEEE).



Ovaj proizvod je proizveden od visokokvalitetnih dijelova i materijala koji se mogu ponovno koristiti i pogodni su za reciklažu. Na kraju svog radnog života ne

bacajte otpadni proizvod sa normalnim domaćim i ostalim otpadom. Odnosite ga u sabirni centar za recikliranje električne i elektronske opreme. Molimo vas da pitate vaše lokalne vlasti gde su ti sabirni centri.

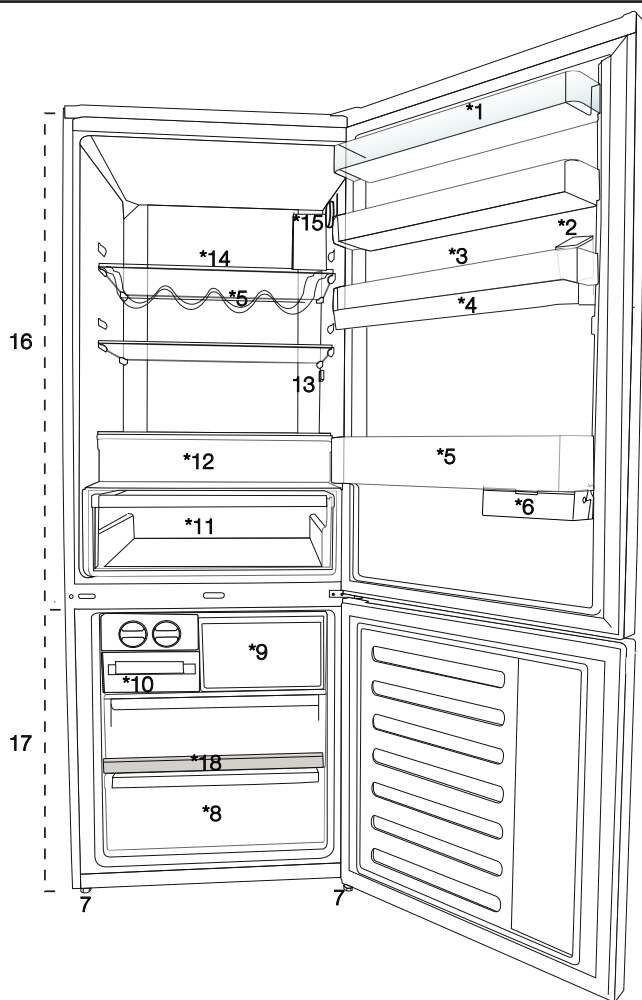
1.5. Usklađenost sa RoHS direktivom

- Ovaj proizvod je usklađen s Direktivom EU WEEE (2011/65/EU). On ne sadrži štetne i zabranjene materijale navedene u Direktivi.

1.6. Informacija o ambalaže

- Materijali za pakiranje proizvoda su proizvedeni od sekundarnih sirovina u skladu s našim nacionalnom propisu za zaštitu okoline. Ne bacajte materijala pakovanja, zajedno s domaćim ili s drugom otpadu. Odnosite ih do sabirne punktove za ambalažu koji su određeni od strane lokalnih vlasti.

2 Vaš frižider



1. Polica na vratima odeljka frižidera
2. Rezervoar za punjenje aparata za vodu
3. Odeljak za jaja
4. Rezervoar aparata za vodu
5. Polica za boce
6. Klizna kutija za odlaganje
7. Podesive nožice
8. Odeljak za duboko zamrzavanje
9. Odeljak za brzo zamrzavanje
10. Posuda za led i fioka za led
11. Korpa za povrće
12. Posuda (u hladnjaku) frižidera
13. Unutrašnje osvetljenje
14. Staklena polica odeljka frižidera
15. Dugme za prilagođavanje temperature
16. Frižider
17. Zamrzivač



***opciono:** Slike date u ovom uputstvu služe samo kao primeri i ne moraju biti potpuno iste kao vaš proizvod. Ako vaš proizvod ne sadrži delove na koje se te slike odnose, informacije se odnose na druge modele.

3.1. Pravo mesto za instalaciju

Obratite se ovlašćenom servisu za instalaciju proizvoda. Da biste proizvod pripremili za instalaciju, pogledajte informacije u uputstvu za upotrebu i proverite da li postoje potrebne električne i vodovodne instalacije. Ako ne postoje, pozovite električara i vodoinstalatera da bi ih postavili po potrebi.



UPOZORENJE: Proizvođač ne preuzima odgovornost za bilo kakvu štetu nastalu usled radova koje su obavile neovlašćene osobe.



UPOZORENJE: Kabl za napajanje proizvoda mora da se isključi iz struje tokom instalacije. Ako to ne učinite, može doći do smrti ili teških povreda!



UPOZORENJE: Ako je raspon kućnih vrata nedovoljan da se proizvod unese kroz njih, uklonite vrata sa proizvoda i okrenite proizvod na stranu, a ako ni taj način ne odgovara, kontaktirajte ovlašćeni servis.

- Proizvod postavite na ravnu površinu da biste izbegli vibracije.
- Proizvod postavite na udaljenosti od najmanje 30 cm od grejalice, šporeta i sličnih izvora toplote i najmanje 5 cm od električnih retni.
- Proizvod ne izlažite direktnoj sunčevoj svetlosti niti ga držite u vlažnom okruženju..
- Da bi efikasno funkcionisao, proizvod zahteva odgovarajuću cirkulaciju vazduha.
- Ako proizvod treba da se postavi u udubljenje u zidu, zapamtite da treba da ostavite najmanje 5 cm slobodnog prostora između proizvoda i plafona i zidova.
- Proizvod ne instalirajte u okruženjima sa temperaturom manjom od -5°C .

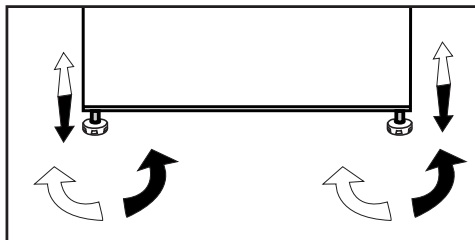
3.2. Postavljanje plastičnih klinova

Koristite priložene plastične klinove uz ovaj proizvod da biste obezbedili dovoljno prostora za cirkulaciju vazduha između uređaja i zida.

1. Da biste priključili klinove, uklonite vijke sa proizvoda i upotrebite vijke priložene uz klinove.
2. Pričvrstite 2 plastična klina za poklopac ventilatora kao što je prikazano na slici.




3.3. Podešavanje podnožja

Ako uređaj nije izbalansiran, postavite prednje podvesive stope okretanjem udesno ili ulevo.




Instalacija

3.4. Priključivanje napajanja

	UPOZORENJE: Ne povezujte produžni kabl sa jednom ili više utičnica sa priključkom za napajanje.
	UPOZORENJE: Oštećeni kabl za napajanje mora biti zamenjen od strane ovlašćenog servisa.
	Prilikom postavljanja dva frižidera jedan pored drugog, ostaviti najmanje 4 cm rastojanja između njih.

- Naša kompanija ne preuzima odgovornost za bilo kakvu štetu zbog upotrebe bez uzemljenja i bez priključka u skladu sa nacionalnim propisima.
- Napojni kabl mora biti lako dostupan nakon instalacije.
- Povežite frižider na uzemljenu utičnicu koja ima napon od 220-240V/50 Hz. Utikač mora imati osigurač od 10-16A.
- Ne koristite razvodni utikač, sa ili bez produžnog kabla, između zidne utičnice i frižidera.

	<p>Upozorenje na vruću površinu!</p> <p>Na bočnim zidovima vašeg proizvoda nalaze cevi rashladnog sredstva koje poboljšavaju rashladni sistem. Kroz ove oblasti može da teče rashladno sredstvo na visokim temperaturama, što dovodi do vrućih površina na bočnim zidovima. Ovo je normalno i nije potrebno servisiranje. Vodite računa kada dodirujete ove oblasti.</p>
--	--

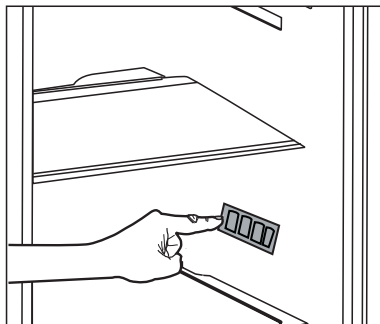
4.1. Šta možete uraditi da biste uštedeli energiju



Povezivanje proizvoda na elektronske sisteme za uštedu energije je štetno, jer to može oštetiti proizvod.

- Za samostojeći uređaj; „Ovaj rashladni uređaj nije predviđen da se koristi kao ugradni uređaj“;.
- Ne ostavljati vrata frižidera otvorena duži vremenski period.
- Ne ostavljajte toplu hranu ili pića u frižider.
- Nemojte prepuniti frižider; blokiranje unutrašnjeg protoka vazduha smanjiće kapacitet hlađenja.
- Da biste skladištili maksimalnu količinu hrane u odeljak za hlađenje vašeg frižidera, treba da izvadite gornje fioke i stavite hranu na staklenu policu. Utvrđena potrošnja električne energije vašeg frižidera je određena kada su izvađeni odeljak za hlađenje, posuda za led i gornje fioke da bi se obezbedio maksimalni prostor za skladištenje. Prilikom skladištenja, preporučuje se korišćenje donje fioke. Funkcija štednje energije treba da se aktivira da bi se obezbedila najbolja potrošnja energije.
- Ne smete da blokirate protok vazduha stavljanjem hrane ispred ventilatora frižidera. Prilikom stavljanja hrane, ispred zaštitne rešetke ventilatora treba da se ostavi prostor od najmanje 3 cm.
- U zavisnosti od karakteristika proizvoda; odmrzavanje zamrznute hrane u odeljku frižidera će obezbediti uštedu energije i očuvati kvalitet hrane.
- Hrana treba da se stavlja na fioke u odeljku frižidera da bi se obezbedila ušteda energije i hrana zaštitila u boljim uslovima.
- Paketi hrane ne treba da dolaze u direktan dodir sa senzorom toplote smeštenim u odeljku frižidera. Ukoliko oni dođu u dodir sa senzorom, potrošnja energije uređaja može da se poveća.

- Pobrinite se da namirnice nisu u kontaktu sa senzorom temperature frižidera koji je opisan u nastavku.
- U slučaju da postoji više opcija, staklene police moraju biti postavljene tako da izlazi za vazduh na zadnjem zidu ne budu blokirani, i po mogućnosti da izlazi za vazduh budu ispod staklene police. Ova kombinacija može doprineti u poboljšanju raspodele vazduha i energetske efikasnosti.
- Posuda (u hladnjaku) frižidera“ obezbeđuje nižu temperaturu u odeljku frižidera. Koristite ovu posudu za čuvanje delikatesnih proizvoda (šalame, kobasice, mlečni proizvodi i sl.) kojima je potrebna niža temperatura skladištenja, ili proizvode od mesa, piletine ili ribe koje nameravate ubrzo koristiti. Ne skladištite voće i povrće u ovoj posudi.



4.2. Prvo upotreba

Pre korišćenja frižidera, proverite da li su obavljene sve neophodne pripreme u skladu sa uputstvima u odeljcima „Bezbednosna uputstva i zaštita životne sredine“ i „Instalacija“.

- Ostavite proizvod da radi bez hrane 6 sati i nemojte otvarati vrata, ukoliko to nije apsolutno neophodno.



Kada kompresor počinje da radi čuće se zvuk. Zvuk se normalno čuje čak i kada kompresor ne radi zbog komprimovane tečnosti i gasova u sistem hlađenja.



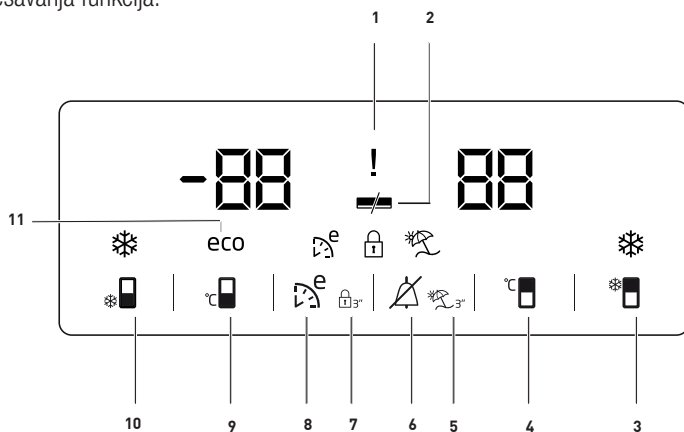
Prednje ivice proizvoda mogu da se zagreju. To je normalno. Ovi delovi su dizajnirani da bi se zagrevali kako bi se sprečila kondenzacija.



Na nekim modelima, panel sa indikatorima se isključuje automatski 5 minuta nakon što se vrata zatvore. Ona će se ponovo aktivirati kada se otvore vrata ili se pritisne bilo koje dugme.

5.1. Tabla sa indikatorima

Ova tabla sa indikatorima omogućava vam da podesite temperaturu i kontrolirate druge funkcije u vezi sa proizvodom bez otvaranja vrata frižidera. Dovoljno je da pritisnete nazive na željenim dugmadima za podešavanja funkcija.



1. Indikator prekida napajanja / visoke temperature / statusa greške

Ovaj indikator (⏏) svetli u slučaju upozorenja o nestanku struje, visokoj temperaturi i greškama. Kada se temperatura zamrzivača podigne do vrednosti kritične za smrznutu hranu, na digitalnom indikatoru trepće maksimalna vrednost koju postigne temperatura zamrzivača. Proverite hranu u odeljku za zamrzavanje. Ovo nije kvar. Upozorenje se može poništiti pritiskom bilo kog dugmeta ili dugmeta za isključivanje alarma za visoku temperaturu. (Otkazivanje pritiskom bilo kog dugmeta nije primenljivo za svaki model.)

Ovaj indikator (⏏) svetli i u slučaju kvara senzora. Kada ovaj indikator svetli, na indikatoru temperature alternativno se prikazuju „E“ i cifre poput „1, 2, 3...“. Ove cifre na indikatoru obaveštavaju servisno osoblje o grešci.

2. Funkcija uštede energije (displej isključen):

Ako se vrata proizvoda drže zatvorena duže vreme, funkcija za uštedu energije se automatski aktivira i simbol za uštedu energije svetli. (🔋)

Ako je aktivna funkcija štednje energije, isključiće se svi simboli na displeju osim simbola za štednju energije. Kada je aktivna funkcija uštede energije, ako nijedno dugme nije pritisnuto ili ako su vrata otvorena, funkcija uštede energije se isključuje, a na displeju se ponovo pojavljuju simboli.

Funkcija za uštedu energije se aktivira tokom isporuke iz fabrike i ne može se otkazati.




3. Funkcija brzog hlađenja:

Ovo dugme ima dve funkcije. Kratko pritisnite taster da biste aktivirali ili deaktivirali funkciju brzog hlađenja. Indikator brzog zamrzavanja će se isključiti i proizvod će se vratiti na normalna podešavanja. (❄️)




* **Opcionalno:** Slike u ovom uputstvu su dati kao šeme i mogu da ne odgovaraju u potpunosti vašem proizvodu. Ako vaš proizvod ne sadrži delove na koje se te slike odnose, informacije se odnose na druge modele.



Upotreba proizvoda

	Koristite funkciju za brzo hlađenje kada želite da brzo ohladite hranu u odeljku frižidera. Ako hoćete da hladite veće količine sveže hrane, aktivirajte ovu funkciju pre nego što stavite hranu u proizvod.
	Ako je ne otkazete, funkcija brzog hlađenja će se sama isključiti posle 1 sata ili kada odeljak frižidera dostigne zahtevanu temperaturu.
	Ako pritisnete dugme za brzo hlađenje više puta uzastopno, aktiviraće se sistem elektronske zaštite i kompresor se neće odmah uključiti.
	Ova funkcija se ne opoziva kada struja ponovo dođe posle nestanka.

4. Dugme za podešavanje temperature u odeljku zamrzivača


Pritisnite ovo dugme da biste podesili temperaturu u odeljku frižidera na 8,7,6, 5,4,3, 2, 1, 0,8... redom. Pritisnite ovo dugme da biste podesili željenu temperaturu u odeljku za frižider. 

5. Funkcija godišnjeg odmora

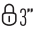

Da biste aktivirali funkciju za godišnji odmor, pritisnite i držite ovo dugme () 3 sekunde nakon čega će se indikator režima godišnjeg odmora () aktivirati. Kada je funkcija godišnjeg odmora aktivirana, znak „ - - “ je prikazan na indikatoru temperature odeljka frižidera i aktivno hlađenje se ne obavlja u odeljku frižidera. Nije prikladno držati hranu u odeljku frižidera kada je ova funkcija aktivirana. Druge komponente će nastaviti da se hlade prema podešenoj temperaturi.

Da biste opozvali ovu funkciju, pritisnite ponovo dugme za funkciju godišnjeg odmora .

6. Prestanak upozorenja o visokoj temperaturi:


U slučaju upozorenja o nestanku struje/visokoj temperaturi, možete izbrisati upozorenje () pritiskom bilo kog dugmeta na indikatoru ili dugmeta za isključivanje alarma za visoku temperaturu tokom 1 sekunde nakon što proverite hranu u odeljku zamrzivača. Napomena: Otkazivanje pritiskom bilo kog dugmeta nije primenljivo za svaki model.

7. Zaključavanje tastera,

Pritisnite taster za zaključavanje () istovremeno na 3 sekunde. Simbol za zaključavanje tastera () će se uključiti i aktiviraće se režim zaključavanja tastera. Tasteri neće funkcionisati kada je aktivan režim zaključavanja tastera. Pritisnite taster za zaključavanje istovremeno na 3 sekunde ponovo. Simbol za zaključavanje tastera će se isključiti, a režim zaključavanja tastera isključiti.

Pritisnite dugme **za zaključavanje tastera** ako želite da sprečite promenu podešavanja temperature frižidera ().

8. Eco fuzzy

Pritisnite i držite dugme Eco Fuzzy 1 sekundu da biste aktivirali funkciju Eco Fuzzy. Frižider će početi da radi u najekonomičnijem režimu najmanje 6 sati kasnije, a indikator ekonomične upotrebe će se uključiti kada je ova funkcija aktivna (). Pritisnite i držite dugme Eco Fuzzy 3 sekunde da biste deaktivirali funkciju Eco Fuzzy.

Ovaj indikator je osvetljen nakon 6 časova kada se funkcija Eco Fuzzy aktivira.




Upotreba proizvoda

9. Dugme za podešavanje odeljka zamrzivača

Pritiskajte ovo dugme da biste podesili temperaturu u odeljku za zamrzavanje na -18, -19, -20, -21, -22, -23, -24, -18... redom. Pritiskajte ovo dugme da biste podesili željenu temperaturu u odeljku za zamrzavanje. (☐)


10. Taster za funkciju brzog zamrzavanja / taster za uključivanje-isključivanje ledomata

Kratko pritisnite taster da biste aktivirali ili deaktivirali funkciju brzog zamrzavanja. Kada aktivirate ovu funkciju, odeljak zamrzivača će se ohladiti na temperaturu ispod podešene vrednosti. (●☐) Da biste uključili i isključili ledomat, pritisnite i držite ga 3 sekunde.

	Koristite funkciju za brzi zamrzavanje kada želite da brzo zamrznete hranu u odeljku frižidera. Ako hoćete da zamrznete veće količine sveže hrane, aktivirajte ovu funkciju pre nego što stavite hranu u proizvod.
	Ako je ne otkazete, funkcija "Brzo zamrzavanje" će se sama isključiti posle 24 sata ili kada odeljak frižidera dostigne zahtevanu temperaturu.
	Ova funkcija se ne opoziva kada struja ponovo dođe posle nestanka.

11. Indikator ekonomične upotrebe

Označava da proizvod radi u režimu uštede energije. (eco) Ovaj indikator će biti aktivan ako je temperatura odeljka zamrzivača podešena na -18 ili je u toku ekonomično hlađenje zbog funkcije Eco Ekstra.

	Indikator ekonomične upotrebe se isključuje kada se izabere funkcija brzog hlađenja ili funkcija brzog zamrzavanja.
---	---

5.2. Fioka za led

* Opcionalno

- Izvadite fioku za led iz odeljka zamrzivača.
- Napunite fioku za led vodom.
- Vratite fioku za led u odeljak zamrzivača.
- Led će biti spreman nakon otprilike dva sata. Izvadite fioku za led iz odeljka zamrzivača i lagano je nagnite preko držača koji ćete servirati. Led će se jednostavno presipati u držač za serviranje.

5.3. Držač za jaja

Držač za jaja možete po izboru da stavite na policu na vratima ili policu u frižideru. Ako odlučite da ga stavite na policu u frižideru, preporučuje se da za to izaberete donje police pošto su one hladnije.



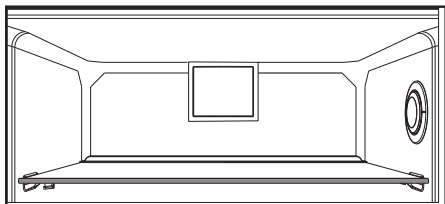
Ne stavljajte držač za jaja u odeljak zamrzivača.

Upotreba proizvoda

5.4. Ventilator

Ventilator je dizajniran da ravnomerno cirkuliše hladan vazduh u frižideru. Vreme rada ventilatora može da varira u zavisnosti od funkcija vašeg proizvoda.

Dok u nekim proizvodima ventilator radi samo sa kompresorom, u drugim kontrolni sistem određuje vreme rada na osnovu potrebe sa hlađenjem.



5.5. Korpa za povrće

* Opcionalno

Korpa za povrće proizvoda je projektovana tako da povrće održava svežim tako što će zadržati vlažnost. Zbog toga će se ukupna cirkulacija hladnog vazduha povećati u korpi za povrće.

5.6. Posuda (u hladnjaku) frižidera

Obezbeđuje nižu temperaturu u odeljku frižidera. Koristite ovu posudu za čuvanje delikatesnih proizvoda (salame, kobasice, mlečni proizvodi i sl.) kojima je potrebna niža temperatura skladištenja, ili proizvode od mesa, piletine ili ribe koje nameravate ubrzo koristiti. Ne skladištite voće i povrće u ovoj posudi.

HerbBox/HerbFresh

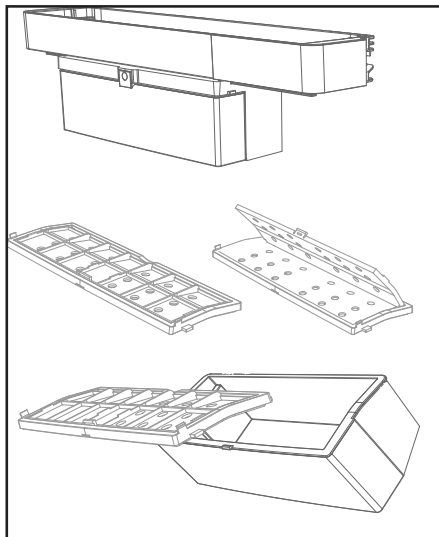
Izvadite posudu za foliju iz HerbBox/HerbFresh+ kutije

Izvadite foliju iz kesice i stavite je u posudu za foliju na način prikazan na slici.

Ponovo zatvorite posudu i vratite je u HerbBox/HerbFresh+ kutiju.

HerbBox-HerbFresh+ odeljci su naročito prikladni za čuvanje različitog bilja treba da se čuva u delikatnim uslovima. U ovom odeljku bilje koje se ne nalazi u kesici (peršun, mirođija, itd.) možete čuvati u horizontalnom položaju i održavati ga svežim mnogo duži vremenski period.

Slaj se zamenjuje na šest meseci.



Upotreba proizvoda

5.7. Pokretna polica na vratima

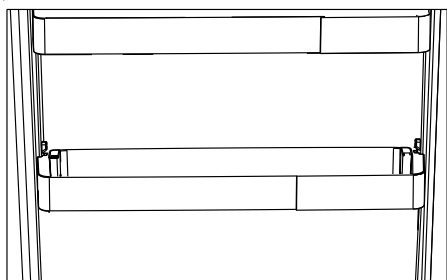
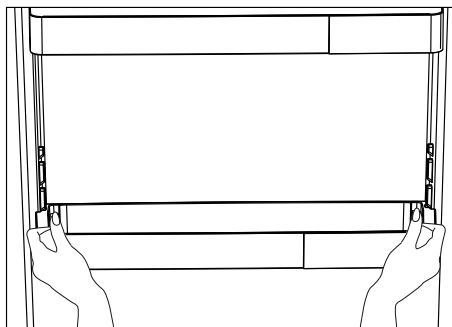
* Opcionalno

Pokretna polica na vratima može da se fiksira u 3 različita položaja.

Da biste pomerili policu, istovremeno pritisnite dugmad na bočnim stranama. Polica će moći da se pomera.

Pomerite policu nagore ili nadole.

Kada se polica nalazi u željenom položaju, pustite dugmad. Polica će se ponovo fiksirati u položaju u kome oslobodite dugmad.

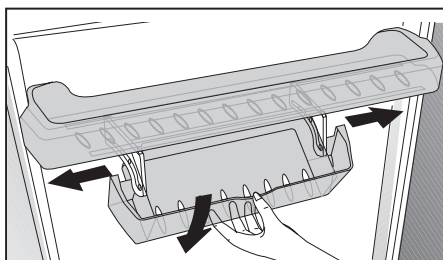


5.8. Klizna kutija za odlaganje

* Opcionalno

Ova dodatna oprema je predviđena da poveća korisnu zapreminu policna na vratima.

Zahvaljujući njenoj sposobnosti da se pomera bočno, ona vam omogućava da jednostavno stavite dugačku bocu, teglu ili kutije koje stavljate na donji stalak za boce.



Upotreba proizvoda

5.9. Posuda za povrće sa kontrolom vlažnosti

* Opcionalno

Sa funkcijom kontrole vlažnosti, nivoi vlažnosti voća i povrća se drže pod kontrolom i obezbeđuje se duži period vlažnosti hrane.

Preporučuje se da se lisnato povrće, kao što je zelena salata, spanać i slično povrće sklono gubitku vlažnosti u posudi za povrće čuva u što horizontalnijem položaju a ne postavljeno na koren.

Prilikom postavljanja povrća, teško i tvrdo povrće stavite na dno a meko na vrh, uzimajući u obzir specifične težine povrća.

Ne ostavljajte povrće u posudi za povrće u plastičnim kesama. Ostavljanje u plastičnim kesama dovodi do toga da povrće brzo istruli. U situacijama kada kontakt sa drugim vrstama povrća nije poželjan, koristite materijal za pakovanje kao što je papri koji ima određenu poroznost u pogledu higijene.

Na stavljanje voća koje ima visoku proizvodnju etilena, kao što su kruška, kajsija, breskva, a naročito jabuka, u istu posudu za povrće sa drugim povrćem i voćem. Etilen koji izlazi iz ovog voća može da dovede do bržeg zrenja i truljenja drugog voća i povrća.

5.10. Automatska mašina za led

* Opcionalno

Automatska mašina za led vam omogućava da brže pravite led u frižideru. Da bi se dobio led iz mašine za led, izvadite rezervoar za vodu iz odeljka frižidera, napunite vodom i vratite ga nazad.

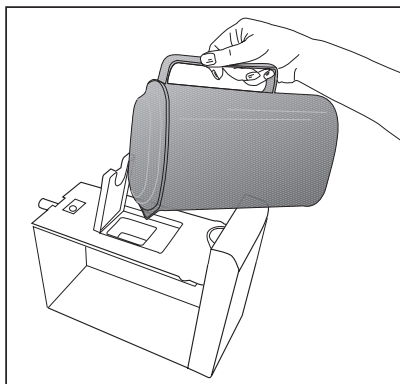
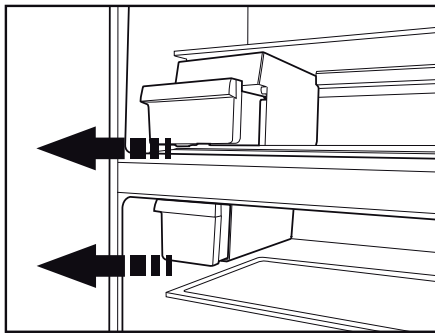
Prvi led će biti sprema za oko 2 sata u fioci mapine za led u odeljku frižidera.

Nakon što stavite pun rezervoar za vodu, možete dobiti oko 60-70 kocki leda dok se on potpuno ne isprazni.

Ako voda u rezervoaru stoji 2-3 nedelje, ona treba da se promeni.



Na proizvodima sa automatskom mašinom za led, može se čuti zvuk prilikom sipanja proizvoda. Ovaj zvuk je normalan i ne označava kvar.



Upotreba proizvoda

5.11. Icematic i posuda za čuvanje leda

* Opcionalno

Korišćenje odeljka Icematic

Napunite Icematic vodom i postavite ga na mesto. Led će biti spreman nakon otprilike dva sata. Za vađenje leda, ne skidajte Icematic sa njegovog mesta.

Okrenite dugmad na rezervoarima za led za 90 stepeni u smeru kretanja kazaljke na satu.

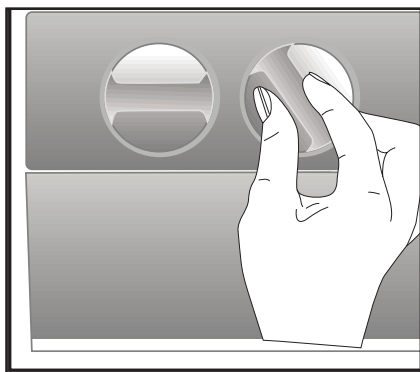
Kocke leda u rezervoarima će pasti u donju posudu za čuvanje leda

Možete izvaditi posudu za čuvanje leda i servirati kocke leda.

Ako želite, možete čuvati kocke leda u posudi za čuvanje leda.

Posuda za čuvanje leda

Posuda za čuvanje leda je namenjena samo za sakupljanje kocki leda. Ne stavljajte vodu u nju. U suprotnom, ona će se polomiti.



5.12. Korišćenje automata za vodu

* Opcionalno



Normalno je da prvih nekoliko čaša vode sipanih iz automata za vodu budu tople.

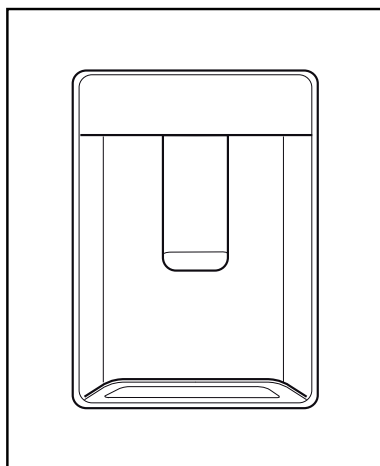


Ako se aparat za vodu ne koristi duži vremenski period, prosipajte prvih nekoliko čaša da biste dobili svežu vodu.

1. Čašom gurnite ručicu rezervoara za vodu. Ako koristite meku plastičnu čašu, jednostavnije je da ručicu gurnete rukom.
2. Nakon punjenja čaše do željenog nivoa, pustite ručicu.



Imajte na umu da protok vode iz automata zavisi od toga koliko jako pritisnete ručicu. Kako nivo vode u plastičnoj/staklenoj čaši raste, lagano smanjite količinu pritiska na polugu da biste izbegli da se ona prepuni. Ako lagano pritisnete ručicu, voda će da kaplje; ovo je sasvim normalno i nije kvar.



Upotreba proizvoda

5.13. Punjenje rezervoara automata vodom

Rezervoar za vodu koji se dopunjuje se nalazi na polici na vratima.

1. Otvorite poklopac rezervoara.
2. Napunite rezervoar svežom vodom za piće.
3. Zatvorite poklopac.



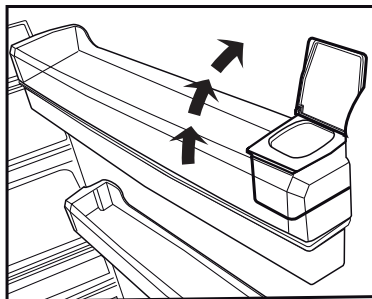
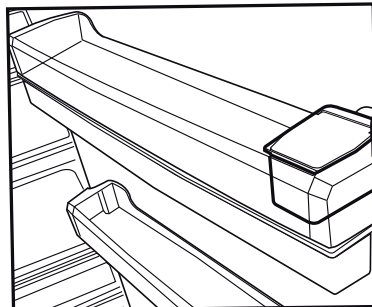
Rezervoar za vodu ne punite drugim tečnostima, kao što su voćni sokovi, gazirana pića ili alkoholna pića koja nisu pogodna za korišćenje u aparatu za vodu. Aparat za vodu će biti nepopravljivo oštećen ukoliko se koriste ovakve vrste tečnosti. Garancija ne pokriva takve načine korišćenja. Neke hemijske supstance i aditivi koji se nalaze u ovim vrstama pića/tečnosti mogu da oštete rezervoar za vodu.



Koristite samo svežu vodu za piće.



Kapacitet rezervoara za vodu je 3 litra, nemojte ga prepunjavati.



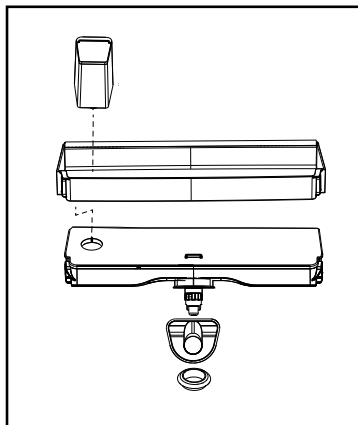
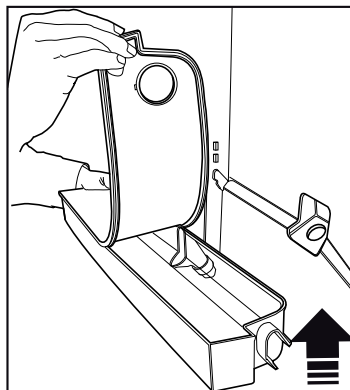
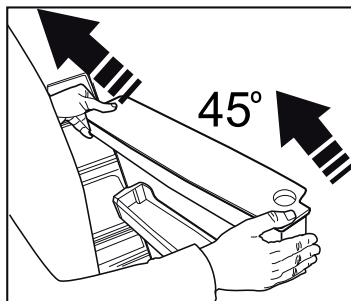
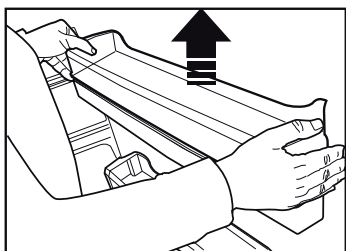
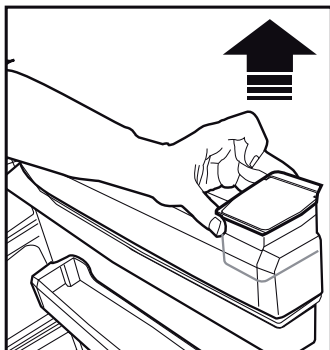
Upotreba proizvoda

5.14. Čišćenje rezervoara za vodu

1. Skinite rezervoar za punjenje vode sa police na vratima.
2. Skinite policu na vratima tako što ćete držati sa obe strane.
3. Uхватite rezervoar za vodu sa obe strane i skinite ga tako što ćete ga okrenuti za 45°C.
4. Skinite poklopac rezervoara za vodu i očistite rezervoar.



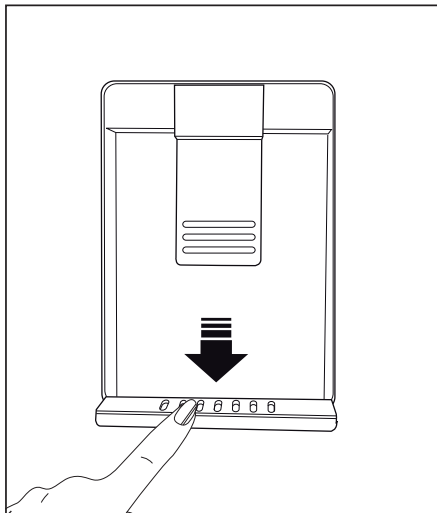
Komponente rezervoara za vodu i aparata za vodu ne treba da se peru u mašini za pranje sudova.



Upotreba proizvoda

5.15. Posuda za sakupljanje vode

Voda koja kaplje tokom korišćenja aparata za vodu se sakuplja u posudi za sakupljanje vode. Skinite plastični filter na način prikazan na slici. Nagomilanu vodu pokupite čistom suvom krpom.



Upotreba proizvoda

5.16. Zamrzavanje sveže hrane

- Da bi se kvalitet hrane u zamrzivaču očuvao, ona se mora zamrznuti što je brže moguće i za ovo možete koristiti brzo zamrzavanje.
- Zamrzavanje hrane kada je sveža će produžiti vreme skladištenja u zamrzivaču.
- Hranu zapakujte u hermetički zatvorene pakete i zalepite.
- Pobrinite se da hrana bude zapakovana pre stavljanja u zamrzivač. Koristite posude za zamrzavanje, staniol i voodootporni papir, plastične kese ili sličnu ambalažu umesto tradicionalne papirne ambalaže.



Led u odeljku zamrzivača se automatski topi.

- Pre zamrzavanja označite svaki paket hrane ispisivanjem datuma na pakovanju. To će vam omogućiti da utvrdite svežinu svakog paketa kadgod otvorite zamrzivač. Hranu koju ste ranije stavili prebacite u prednji deo zamrzivača da biste je ranije upotrebili.
- Smrznuta hrana se mora iskoristiti odmah nakon odmrzavanja i ne treba je ponovno zamrzavati.
- Ne zamrzavati velike količine hrane odjednom.

5.17. Preporuke za čuvanje smrznute hrane

Odeljak mora biti postavljen na najmanje -18 °C.

1. Stavite hranu u zamrzivač što je moguće pre da bi se izbeglo otapanje.
2. Pre zamrzavanja, proverite „Rok trajanja“ na pakovanju da biste proverili da li je istekao.
3. Proverite da li je pakovanje hrane oštećeno.

Podešavanje temperature odeljka zamrzivača	Podešavanje temperature odeljka frižidera	Detalji
-18°C	4°C	Ovo je podrazumevano, preporučeno podešavanje.
-20, -22 ili -24°C	4°C	Ova podešavanja se preporučuju za ambijentalne temperature koje premašuju 30°C.
Brzo zamrzavanje	4°C	Koristite kada želite da zamrznete hranu u kratkom vremenskom periodu. Kada se ovaj proces završi, proizvod će povratiti svoj položaj.
-18 °C ili hladniji	2°C	Koristite ova podešavanja ako smatrate da odeljak frižidera nije dovoljno hladan zbog ambijentalne temperature ili čestog otvaranja vrata.

Upotreba proizvoda

5.18. Informacije o zamrzivaču

Prema standardima IEC 62552, zamrzivač mora imati sposobnost da zamrzne 4,5 kg prehrambenih artikala na -18°C ili niže temperature u roku od 24 sata na svakih 100 litara zapremine zamrzivača.

Hrana se može sačuvati u dužem periodu samo na ili ispod temperature od -18°C .

Svežina hrane se može održati mesecima (u zamrzivaču na ili ispod temperature od 18°C). Hrana koja se zamrzava ne sme da dodiruje već smrznutu hranu da bi se izbeglo parcijalno odmrzavanje.

Povrće treba skuvati i filtrirati vodu da bi se produžilo vreme skladištenja u smrznutom stanju. Nakon filtriranja, hranu zatvorite u hermetičke pakete i odložite u zamrzivač. Banane, paradajz, zelena salata, celer, kuvana jaja, krompir i slične prehrambene artikle ne treba zamrzavati. Ukoliko ova hrana istruli, to će negativno uticati samo na nutritivne vrednosti i kvalitet ishrane. Truljenje neće imati negativan uticaj na zdravlje ljudi.

5.19. Stavljanje hrane

Police odeljka zamrzivača	Razne smrznute hrane, uključujući meso, ribu, sladoled, povrće itd.
Police odeljka frižidera	Hrana u loncima, pokrivena tanjirima i u zatvorenim kutijama, jaja (u slučaju da su u zatvorenoj kutiji)
Police na vratima odeljka za hlađenje	Manja i upakovana hrana ili pića
Korpa za povrće	Voće i povrće
Odjeljak za svežu hranu	Delikatesi (hrana za doručak, proizvodi od mesa koji se konzumiraju u kratkom roku)

5.20. Upozorenje na otvorena vrata (Opcionalno)

Zvučno upozorenje će se čuti ako vrata proizvoda ostanu otvorena duže od 1 minuta. Zvučno upozorenje će se zaustaviti kada su vrata zatvorena ili se pritisne bilo koje dugme na ekranu (ako je dostupno).

Upozorenje na otvorena vrata će se označiti i zvučno i vizuelno. Unutrašnje osvetljenje će se isključiti ako upozorenje potraje još 10 minuta.

5.21. Promena smera otvaranja vrata

Smer otvaranja vrata frižidera možete promeniti u zavisnosti od lokacije na kojoj ga koristite. Kada vam ovo bude potrebno, kontaktirajte najbliži ovlašćeni servis.

Objašnjenje u nastavku je opšta izjava. Treba da proverite oznaku upozorenja koja se nalazi u ambalaži proizvoda o mogućnosti promene smera otvaranja vrata.

5.22. Unutrašnje osvetljenje

Unutrašnje osvetljenje koristi lampice tipa LED. Kontaktirajte ovlašćeni servis u slučaju problema sa ovom lampicom.

Lampica(e) korišćena(e) u ovom uređaju ne mogu da se koriste za kućno osvetljenje. Namena ove lampice je da pomogne korisniku da bezbedno i praktično stavi hranu u frižider/zamrzivač.

Ovaj proizvod je opremljen izvorom osvetljenja energetske klase „G“.

Izvor osvetljenja u ovom proizvodu mogu zameniti samo stručni serviseri.

Vek trajanja proizvoda se povećava ako se on redovno čisti



UPOZORENJE: Pre čišćenja, frižider prvo isključite iz struje.

- Za čišćenje nikada ne koristite oštre i abrazivne alate, sapun, sredstva za čišćenje u domaćinstvu, deterdžent i vosak za poliranje.
- Rastvorite jednu kašiku karbonata u pola litra vode. Krpu natopite rastvorom i temeljno je iscedite. Ovom krpom izbrišite unutrašnjost uređaja i temeljno isperite.
- Vodite računa da voda ne uđe u kućište lampe i druge električne komponente.
- Vrata očistite vlažnom krpom. Da biste skinuli police na vratima i u frižideru, prvo sklonite sve što se nalazi na njima. Police na vratima skinite tako što ćete ih povući nagore. Nakon čišćenja, gurnite ih odozgo nadole da biste ih postavili.
- Nikada ne koristite sredstva za čišćenje niti vodu koja sadrži hlor za čišćenje spoljašnjih površina i delova proizvoda obloženih hromom. Hlor izaziva koroziju na takvim metalnim površinama.
- Ne koristite oštra, abrazivna sredstva, sapun, sredstva za čišćenje u domaćinstvu, kerozin, mazut, lak, itd. da biste sprečili skidanje i deformaciju štampe na plastičnim delovima. Za čišćenje koristite mlaku vodu i meku krpu, a zatim osušite brisanjem.

6.1. Izbegavajte neprijatne mirise

Materijali koji mogu da izazovu neprijatne mirise nisu korišćeni u proizvodnji naših uređaja. Međutim, zbog neodgovarajućih uslova čuvanja hrane i neredovnog čišćenja unutrašnje površine uređaja, može se razviti problem sa neprijatnim mirisima.

Stoga, čistite frižider karbonatom rastvorenim u vodi na svakih 15 dana.

- Hranu čuvajte u zatvorenim posudama. Mikroorganizmi koji se šire iz nezatvorenih posuda mogu da prouzrokuju neprijatne mirise.

- Hranu sa isteklim rokom trajanja i pokvarenu hranu nikada ne čuvajte u frižideru.

6.2. Zaštita plastičnih površina

Ruke odmah isperite vodom pošto ulje može da izazove oštećenja površine kada se sipa na plastične površine.

6.3. Stakla na vratima

Skinite zaštitnu foliju sa stakala

Skinite oblogu sa površine stakala. Ova obloga smanjuje nagomilavanje mrlja i pomaže u jednostavnom uklanjanju mogućih mrlja i prljavštine. Stakla koja nisu zaštićena takvom oblogom mogu biti podložna upornom vezivanju vazduha ili vode na osnovu organske ili neorganske prljavštine kao što je kamenac, mineralne soli, nesagoreli ugljovodoni, oksidi metala i silikoni koji mogu jednostavno i brzo da izazovu mrlje ili oštećenje materijala. Održavanje stakala čistim postaje suviše teško uprkos redovnom čišćenju. Kao posledica toga, izgled i providnost stakla se pogoršava. Agresivne i korozivne metode čišćenja i jedinjenja će povećati ova oštećenja i ubrzati proces propadanja.

Sredstva za čišćenje na bazi vode koja nisu alkalna i korozivna moraju da se koriste u svrhe redovnog čišćenja.

Za čišćenje moraju da se koriste materijali koji nisu alkalni i nisu korozivni tako da vek trajanja ove obloge traje duže.

Ovo staklo je ojačano da bi se povećala njegova izdržljivost na uticaje i pucanje. Bezbednosna folija se takođe nanosi na zadnje površine kao dodatna bezbednosna mera da bi se sprečilo da ona izazovu oštećenja na okolnim predmetima ukoliko puknu.

*Alkali su baze koje formiraju jone hidroksida (OH) kada se rastvaraju u vodi.

Metali Li (litijum), Na (natrijum), K (kalijum) Rb (rubidijum), Cs (cezijum) i veštački i radioaktivni Fr (francijum) se nazivaju ALKALNI METALI.

7 Rješavanje problema

Provjerite ovu listu prije kontaktiranja servisa. Na taj način ćete uštedjeti vreme i novac. Ova lista uključuje česte pritužbe koje se ne odnose na neispravne izradu ili materijale. Određene navedene odlike mogu se ne odnositi na vaš proizvod.

Frizider ne radi.

- Utikač nije u potpunosti utaknut. >>> *Uključite ga u potpunosti u utičnicu.*
- Osigurač povezani na šteker koji napaja proizvod ili glavni osigurač je eksplodirao. >>> *Provjerite osigurače.*

Kondenzacija na bočnom zidu hladnjaka (MULTI ZONA, HLADNO, KONTROLA i FLEXI ZONA).

- Okruženje je previše hladno. >>> *Ne postavljajte proizvod u sredinama s temperaturama ispod -5°C .*
- Vrata su se otvorila prečesto >>> *Pazite da ne otvoriti vrata proizvoda prečesto.*
- Okruženje je previše vlažno. >>> *Ne postavljati proizvod u vlažnim sredinama.*
- Hrana koja sadrži tekućine se čuvaju u otvorenim posuđem. >>> *Držite hranu koja sadrži tekućine zatvorenu.*
- Vrata proizvoda je ostala otvoreno. >>> *Nemojte držati vrata proizvoda otvorene tokom dugih perioda.*
- Termostat je podešen na suviše niske temperature. >>> *Podesite termostat na odgovarajuću temperaturu.*

Kompresor ne radi.

- U slučaju iznenadnog nestanka struje ili povlačenjem utikača i onda vraćanja, pritisak gasova u sistemu hlađenja proizvoda nije izbalansiran i to pokreće termičku zaštitu kompresora. Proizvod će se ponovo pokrenuti nakon oko 6 minuta. Ako proizvod se nije ponovo pokrenuo nakon tog perioda, kontaktirajte servis.
- Odmrzavanje je aktivno. >>> *To je normalno za potpuno automatsko odmrzavanje proizvoda. Odmrzavanje se obavlja periodično.*
- Proizvod nije priključen >>> *Pobrinite se da je napajanje priključeno*
- Postavka temperature je pogrešna. >>> *Odaberite odgovarajuću postavku temperature.*
- Nestalo je struje. >>> *Proizvod će nastaviti normalno raditi kada struja opet dođe.*

Radna buka frižidera se povećava dok je u upotrebi.

- Operativni performanse proizvoda može se razlikovati ovisno o varijacije temperature okoline. To je normalno i ne predstavlja kvar.

Frizider radi prečesto ili predugo.

Rešavanje problema

- Novi proizvod može biti veći od prethodnog. Veći proizvodi će duže raditi.
- Sobna temperatura može biti visoka. >>> *Proizvod će normalno raditi za duže periode kod višu temperaturu sobe.*
- Proizvod je možda nedavno uključen ili nove hrane su unutra. >>> *Proizvodu će trebati više vremena da dostigne zadanu temperaturu kada je nedavno uključen ili kada ima novih hrana unutra. To je normalno.*
- Velike količine tople hrane možda su nedavno postavljene u proizvod. >>> *Ne stavljajte toplu hranu u proizvod.*
- Vrata su se otvorila često ili su bila otvorena dužeg vremena. >>> *Topli zrak koji se kreće unutar će izazvati da proizvod više radi. Ne otvarajte vrata prečesto.*
- Vrata zamrzivača ili hladnjaka mogu biti odškrinuta. >>> *Provjerite da li su vrata potpuno zatvorena.*
- Proizvod možda je postavljen na prenisku temperaturu. >>> *Postavite temperaturu na viši stupanj i čekati da dođe do podešenu temperaturu.*
- Gumica vrata hladnjak ili zamrzivača možda je prljava, istrošen, slomljena ili nije pravilno postavljena. >>> *Očistite ili zamijenite gumicu. Oštećena / pocepana gumica vrata će uzrokovati da proizvod radi duži period za očuvanje trenutne temperature.*

Temperatura zamrzivača je veoma niska, ali je temperatura hladnjaka adekvatna.

- Temperatura odjeljka Zamrzivač je postavljena na vrlo niskim stepenom. >>> *Podesite temperaturu zamrzivača na viši stupanj i provjerite još jednom.*

Temperatura hladnjaka je vrlo niska, ali temperatura zamrzivača je adekvatna.

- Temperatura hladnjaka je postavljena na vrlo nizak stupanj. >>> *Postavite temperatura hladnjaka na viši stupanj i provjerite još jednom.*

Hrana koja je u hladnjaku je zamrznula.

- Temperatura hladnjaka je postavljena na vrlo nizak stupanj. >>> *Podesite temperaturu zamrzivača na viši stupanj i provjerite još jednom.*

Temperatura u hladnjaku ili zamrzivaču je previsoka.

- Temperatura hladnjaka je postavljena na vrlo visoki stupanj. >>> *Postavka temperature hladnjaka utječe na temperaturu zamrzivača. Promijenite temperature hladnjaka ili zamrzivača i sačekajte da relevantne pregrade dostigne podešeni nivo temperature.*
- Vrata su se otvorila često ili su bila otvorena dužeg vremena. >>> *Ne otvarajte vrata prečesto.*
- Vrata mogu biti odškrinuta. >>> *Potpuno zatvorite vrata.*
- Proizvod je možda nedavno uključen ili nove hrane su unutra. >>> *To je normalno. Proizvodu će trebati više vremena da dostigne zadanu temperaturu kada je nedavno uključen ili kada ima novih hrana unutra.*
- Velike količine tople hrane možda su nedavno postavljene u proizvod. >>> *Ne stavljajte toplu hranu u proizvod.*

Drhtanje ili buke.

- Tlo nije ravno ili izdržljivo. >>> *Ako se proizvod tresе kada se polako pomiče, prilagoditi nogare za uravnoteženje proizvoda. Također pazite da je tlo dovoljno izdržljivo da nosi proizvod.*
- Svi predmeti na proizvodu mogu izazvati buku. >>> *Uklonite sve predmete koje se nalaze na proizvodu.*

Proizvod daje buku kao kad tečnost teče, prskanje itd.

- Operativni principi proizvoda uključuju tokovi tečnosti i gasova. >>> *To je normalno i ne predstavlja kvar.*

Čuje se zvuk vetra koji dolazi iz proizvoda.

- Proizvod koristi ventilator za proces hlađenja. To je normalno i ne predstavlja kvar.

Postoji kondenzacije na unutrašnjim zidovima proizvoda.

Rešavanje problema

- Vruće ili vlažno vremenu će povećati zaleđivanje i kondenzacije. To je normalno i ne predstavlja kvar.
- Vrata su se otvarala često ili su bila otvorena dužeg vremena. >>> *Ne otvarajte vrata prečesto, ako su otvorena, zatvorite ih.*
- Vrata mogu biti odškrinuta. >>> *Do kraja zatvorite vrata.*



UPOZORENJE: Ako problem i dalje postoji nakon što ste slijedeli upute u ovom poglavlju, obratite se prodavcu ili ovlaštenom servisu. Nemojte pokušavati popraviti proizvod.

Postoji kondenzacije na vanjske površine proizvoda ili između vrata.

- Spoljni vazduh može biti vlažan, to je sasvim normalno u vlažnom vremenu. >>> *Kondenzacija će nestati kada se vlažnost smanjuje.*

Unutrašnjost smrdi.

- Proizvod se redovno ne čiste. >>> *Redovno čistite unutrašnjost pomoću spužve, toplom vodom i gaziranom vodom.*
- Pojedini držači i materijale za pakovanje mogu izazvati mirise. >>> *Koristite držače i materijale za pakovanje bez mirisa.*
- Hrane su bili smješteni u otvorenim posuđem. >>> *Držite hranu u zatvorenim posuđem. Mikroorganizmi mogu se proširiti od nezapečaćenih prehrambenih artikala i izazvati loši miris.*
- Uklonite iz proizvoda sve hrane kojima je istekao rok ili su pokvarene.

Vrata se ne zatvaraju.

- Paketi hrane može blokiraju vrata. >>> *Relocirajte stvari koji blokiraju vrata.*
- Proizvod ne stoji u potpuno uspravnom položaju. >>> *Podesite nogare za uravnoteženje proizvoda.*
- Tlo nije ravno ili izdržljivo. >>> *Pobrinite se da je tlo ravno i dovoljno izdržljivo da nosi proizvoda.*

Korpa za povrća je zaglavljena.

- Hrana može biti u kontaktu sa gornjem delu ladice. >>> *Reorganizovati prehrambenih artikala u ladici.*

Lexoni këtë manual para përdorimit të produktit!

I nderuar klient,



Ne dëshirojmë që ju ta shfrytëzoni sa më mirë produktin tonë, i cili është prodhuar në fabrika moderne me kujdes dhe nën kontroll të përpikta të cilësisë.




Për këtë arsye ju këshillojmë ta lexoni të gjithë manualin e përdorimit para se ta përdorni produktin. Në rast se ndryshon përdoruesi i produktit, mos harroni t'i jepni pronarit të ri udhëzuesin bashkë me produktin.

Ky udhëzues do t'ju ndihmojë ta përdorni produktin me shpejtësi dhe në mënyrë të sigurt.

- Lexojeni udhëzuesin e përdorimit me kujdes para se ta montoni dhe ta përdorni produktin.
- Respektoni gjithmonë udhëzimet përkatëse të sigurisë.
- Mbajeni udhëzuesin e përdorimit në një vend lehtësisht të arritshëm për përdorim në të ardhmen.
- Lexoni çdo dokument tjetër të marrë me produktin.

Mos harroni se ky udhëzues përdorimi mund të jetë i vlefshëm për disa modele të produktit. Udhëzuesi tregon në mënyrë të qartë çdo ndryshim të modeleve të ndryshme.

	Informacione të rëndësishme dhe këshilla të dobishme.
	Rrezik për jetën dhe për pronën.
	Rrezik i goditjes elektrike.
	Paketimi i produktit është i prodhuar me materiale të riciklueshme në përputhje me legjislacionin kombëtar për mjedisin.

	INFORMACIONE	
		Informacionet e modelit të ruajtura në bazën e të dhënave të produktit mund të arrihen duke hyrë në faqen e mëposhtme të internetit dhe duke kërkuar për identifikuesin e modelit tuaj (*) që gjendet në etiketën e energjisë.
<small>SUPPLIER'S NAME</small>		<small>MODEL IDENTIFIER</small>
<small>A</small>		<small>A</small>
		https://eprel.ec.europa.eu/

1. Udhëzimet për sigurinë dhe mjedisin

1.1. Siguria e përgjithshme	3
1.1.1 Paralajmërimi HC	5
1.1.2 Për modelet me aparatit e ujit	5
1.2. Përdorimi i planifikuar	5
1.3. Siguria për fëmijët	6
1.4. Përputhja me Direktivën WEEE dhe hedhja e produktit të përdorur	6
1.5. Përputhja me Direktivën RoHS	6
1.6. Informacionet mbi paketimin.	6

2 Frigoriferi juaj 7

3 Instalimi 8

3.1. Vendi i duhur për montimin.	8
3.2. Vendosja e kunjave plastike	8
3.3. Rregullimi i mbështetëseve.	8
3.4. Lidhja elektrike	9

4 Përgatitja 10

4.1. Çfarë të bëni për kursimin e energjisë	10
4.2. Përdorimi për herë të parë	10

5 Përdorimi i produktit 11

5.1. Paneli i treguesve	11
5.2 Kova e akullit	14
5.3 Mbajtësja e vezëve	14
5.4 Ventilatori	14
5.5 Koshi i perimeve	15
5.5 Rafti i lëvizshëm i derës.	15
5.6 Ndarja e bulmetit (ruajtja e ftohtë)	15
5.7 Kutia e ruajtjes me rrëshqitje	16
5.8 HerbBox/HerbFresh.	16
5.9 Koshi i perimeve me lagështi të kontrolluar 17	

5.10 Aparati autoantik i akullit	17
5.11 Icematic dhe kontejneri i ruajtjes së akullit	18
5.12 Përdorimi i aparatit të ujit	18
5.13 Mbushja e depozitës së aparatit të ujit	19
5.14 Pastrimi i depozitës së ujit	20
5.15 Tabakaja e derdhjes	21
5.16 Ngrirja e ushqimeve të freskëta	22
5.17 Rekomandimet për ruajtjen e ushqimeve të ngrira.	22
5.18 Detajet për ngrirjen e thellë	23
5.19 Vendosja e ushqimeve.	23
5.20 Sinjalizimi i hapjes së derës.	23
5.21 Ndryshimi i drejtimit të hapjes së derës	23
5.22 Drita e brendshme	23
5.23 Drita blu/HarvestFresh.	24
5.24 Ndërrimi i llambës së ndriçimit	24

6 Mirëmbajtja dhe pastrimi 25

6.1. Shmangia e aromave të këqija	25
6.2. Mbrojtja e sipërfaqeve plastike	25
6.3. Xhamat e derës	25

7 Zgjidhja e problemeve 26

Ky paragraf siguron udhëzime për sigurinë të nevojshme për të parandaluar rrezikun e lëndimeve dhe të dëmeve materiale. Mosrespektimi i këtyre udhëzimeve do të anulojë të gjitha llojet e garancisë së produktit.

Përdorimi i planifikuar

	KUJDES: Mbajini të lira nga pengesat hapësirat e ventilimit në kasën e pajisjes ose në strukturën e montimit.
	KUJDES: Mos përdorni pajisje mekanike ose mjete të tjera për të përshpejtuar procesin e ngrirjes, përveç atyre që rekomandohen nga prodhuesi.
	KUJDES: Mos e dëmtoni qarkun e ftohësit.
	KUJDES: Mos përdorni pajisje elektrike brenda ndarjeve për ruajtjen e ushqimeve, përveçse nëse janë të tipit të rekomanduar nga prodhuesi.
	KUJDES! Mos mbani substanca shpërthyes si kanaçe aerosoli me gaz shtytës brenda kësaj pajisjeje.

Kjo pajisje është projektuar për përdorim në shtëpi ose përdorime të ngjashme, si p.sh.

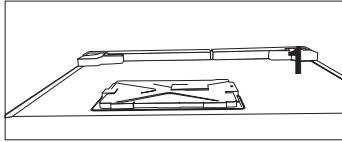
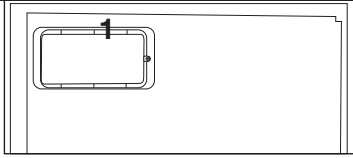
- zonat e kuzhinës së personelit në dyqane, zyra dhe ambiente të tjera pune;
- shtëpi në ferma dhe nga klientët në hotele, motele dhe ambiente të tjera banimi;

- ambiente të tipit të moteleve me mëngjes;
- për catering dhe përdorime të tjera jo të shitjes me pakicë.

1.1. Siguria e përgjithshme

- Ky produkt nuk duhet të përdoret nga persona me paaftësi fizike, ndijore ose mendore, pa njohuri të mjaftueshme dhe pa eksperiencë, apo nga fëmijët. Pajisja mund të përdoret vetëm nga personat nën monitorimin dhe me udhëzimet e një personi përgjegjës për sigurinë e tyre. Fëmijët nuk duhet të lejohen të luajnë me këtë pajisje.
- Në rast defekti, hiqeni pajisjen nga priza.
- Pasi ta hiqni nga priza, prisni për të paktën 5 minuta para se ta vendosni përsëri në prizë.
- Hiqeni produktin nga priza kur nuk është në përdorim.
- Mos e prekni spinën me duar të njoma! Mos e tërhiqni kabllon për ta hequr nga priza, mbani gjithmonë spinën.
- Mos e vendosni frigoriferin në prizë nëse priza është e liruuar.
- Hiqeni produktin nga priza gjatë montimit, mirëmbajtjes, pastrimit dhe riparimit.
- Nëse produkti nuk do të përdoret për pak kohë, hiqeni produktin nga priza dhe hiqni të gjitha ushqimet në të.
- Mos e përdorni produktin kur është e hapur ndarja me kartat e qarkut që ndodhen në pjesën e pasme lart të produktit (kapaku i kutisë së kartës elektrike) (1).

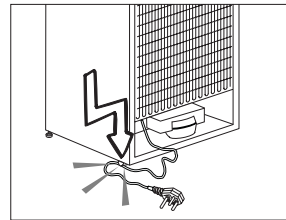
Udhëzimet për sigurinë dhe mjedisin



- Mos përdorni avull ose materiale pastrimi me avull për pastrimin e frigoriferit dhe për shkrirjen e akullit brenda. Avulli mund të bjerë në kontakt me zonat me elektricitet dhe të shkaktojë një qark të shkurtër ose një goditje elektrike!
- Mos e lani produktin duke spërkatur ose duke derdhur ujë mbi të! Rrezik i goditjes elektrike!
- Në rast defekti, mos e përdorni produktin, pasi mund të shkaktojë një goditje elektrike. Kontaktoni me shërbimin e autorizuar para se të bëni ndonjë veprim.
- Vendoseni produktin në një prizë me tokëzim. Tokëzimi duhet të realizohet nga një elektrikist i kualifikuar.
- Nëse produkti ka ndriçim të tipit LED, kontaktoni me shërbimin e autorizuar për ndërrimin e tij ose në rast të ndonjë problemi.
- Mos i prekni ushqimet e ngrira me duar të njoma! Ato mund të ngjiten në duar!
- Mos vendosni lëngje në shishe dhe kanoçe në ndarjen e ngrirësit. Ato mund të çahen!
- Vendosini lëngjet në një pozicion vertikal pasi ta mbyllni mirë kapakun.
- Mos spërkatni me substanca të djegshme pranë produktit, pasi mund të

digjet ose të shpërthejë.

- Mos mbani materiale të djegshme dhe produkte me gaze të djegshme (me spërkatje, etj.) në frigorifer.
- Mos vendosni kontejnerët me lëngje mbi produkt. Derdhja e ujit mbi një pjesë me elektricitet mund të shkaktojë goditje elektrike dhe rrezik zjarri.
- Ekspozimi i produktit në shi, borë, rrezet e diellit dhe erë do të shkaktojë rreziqe nga elektriciteti. Kur të ndryshoni vendin e produktit, mos e tërhiqni nga doreza e derës. Doreza mund të këputet.
- Tregoni kujdes që të shmangni kapjen e ndonjë pjesë të trupit ose duart në ndonjë pjesë të lëvizshme brenda produktit.
- Mos shkelni apo mbështeteni mbi derë, rafte dhe pjesë të tjera të ngjashme të frigoriferit. Kjo do të bëjë që produkti të bjerë dhe të shkaktoni dëmtimin e pjesëve.
- Tregoni kujdes që të mos e kapni kabllon elektrike.
- Kur vendosni aparatit, sigurohuni që kordoni i furnizimit të mos jetë i bllokuar ose dëmtuar.
- Mos vendosni priza të shumta portative ose furnizime të lëvizshme në pjesën e pasme të aparatit.



- Fëmijët të moshës prej 3 deri 8 ju lejohej të mbushin dhe të boshatisin pajisjet frigoriferike.

Udhëzimet për sigurinë dhe mjedisin

- Për të shmangur kontaminimin e ushqimit, ju lutemi respektoni udhëzimet e mëposhtme:
- - Hapja e derës për kohë të gjatë mund të shkakton rritje të ndjeshme të temperaturës në pjesët e pajisjes.
- - Pastroni rregullisht sipërfaqet që mund të vinë në kontakt me ushqim dhe akseset e sistemit për kullimit.
- - Pastroni tanket e ujit nëse ato nuk janë përdorur për 48 orë; lishoni sistemin e ujit të lidhur me ujësjellës nëse uji nuk është shterur për 5 ditë.
- - Ruani mishin e thatë dhe peshkun në kontejnerë të përshtatshëm në frigorifer, në mënyrë që ato të mos jenë në kontakt me ose të mos piket në ushqime të tjera.
- - Ndarjet për - dy - yje - ushqim i ngrirë janë të përshtatshme për ruajtjen e ushqimeve paraprakisht të ngrira, ruajtje ose bërjen e akullores dhe bërjen e kubeve të akullit.
- - Ndarjet një-dy dhe tre- yjeve nuk janë të përshtatshme për ngrirjen e ushqimit të freskët.
- - Nëse pajisja frigoriferike është lënë bosh për një kohë të gjatë, fiken, shkri, pastroni, thani, dhe leni derën të hapur të parandaloni zhvillimin e mykut në pajisje.

1.1.1 Paralajmërimi HC

Nëse produkti përfshin një sistem ftohjeje me gaz R600a, tregoni kujdes që të shmangni dëmtimin e sistemit të ftohjes dhe të tubit të tij kur e përdorni dhe kur e lëvizni produktin. Ky gaz është i djegshëm. Në rast se dëmtohet sistemi i ftohjes, mbajeni produktin larg nga burimet e zjarrit dhe ajrosni menjëherë dhomën.



Etiketa në anën e brendshme majtas tregon tipin e gazit të përdorur në produkt.

1.1.2 Për modelet me aparatën e ujit

- Presioni nga hyrja e ujit të ftohtë duhet të jetë maksimumi 90 psi (620 kPa). Nëse presioni i ujit e kalon 80 psi (550 kPa), përdorni një valvulë kufizuese të presionit në sistemin e rritjet kryesor. Nëse nuk dini se si ta kontrolloni presionin e ujit, kërkoni ndihmën e një hidrauliku profesionist.
- Nëse ekziston rreziku i efektit të goditjes çekiç të ujit në instalim, përdorni gjithmonë një pajisje parandaluese për efektin e goditjes çekiç në instalim. Këshillohuni me hidraulikë profesionistë nëse nuk jeni të sigurt se nuk ka një efekt të goditjes çekiç në instalimin tuaj.
- Mos e instaloni te hyrja e ujit të nxehtë. Merrni masa parandaluese kundër rrezikut të ngrirjes së tubave. Intervali funksional i temperaturës së ujit do të jetë minimumi 0,6°C (33°F) dhe maksimumi 38°C (100°F).
- Përdorni vetëm ujë të pijshëm.

1.2. Përdorimi i planifikuar

- Ky produkt është i projektuar për përdorim familjar. Ai nuk është i përshtatshëm për përdorim tregtar.
- Produkti duhet të përdoret vetëm për ruajtjen e ushqimeve dhe të pijeve.
- Mos mbani produkte delikate që kërkojnë temperatura të kontrolluara (vaksina, ilaçe të ndjeshme ndaj nxehtësisë, materiale mjekësore, etj.) në frigorifer.
- Prodhuuesi nuk mban asnjë përgjegjësi për çdo dëmtim për shkak të keqpërdorimit ose keqadministrimit.

Udhëzimet për sigurinë dhe mjedisin

- Pjesët origjinale të ndërrimit do të ofrohen për 10 vite, pas datës së blerjes së produktit.

1.3. Siguria për fëmijët

- Mbajini materiale e paketimit larg nga fëmijët.
- Mos i lejoni fëmijët të luajnë me produktin.
- Nëse dera e produktit ka një kyç, mbajeni çelësin larg fëmijëve.

1.4. Përputhja me Direktivën WEEE dhe hedhja e produktit të përdorur

Ky produkt është në përputhje me Direktivën evropiane WEEE (2012/19/EU). Ky produkt ka një simbol klasifikimi për pajisjet elektrike dhe elektronike të përdorura (WEEE).



Ky produkt është prodhuar me pjesë dhe materiale me cilësi të lartë, të cilat mund të ripërdoren dhe janë të përshtatshme për riciklim. Mos e hidhni produktin e përdorur bashkë me mbeturinat familjare dhe mbeturinat e tjera

në fund të jetës së shërbimit të produktit.

Çojeni atë në qendrën e grumbullimit për riciklimin e pajisjeve elektrike dhe elektronike. Këshillohuni me autoritetet lokale për të mësuar mbi këto qendra të grumbullimit.

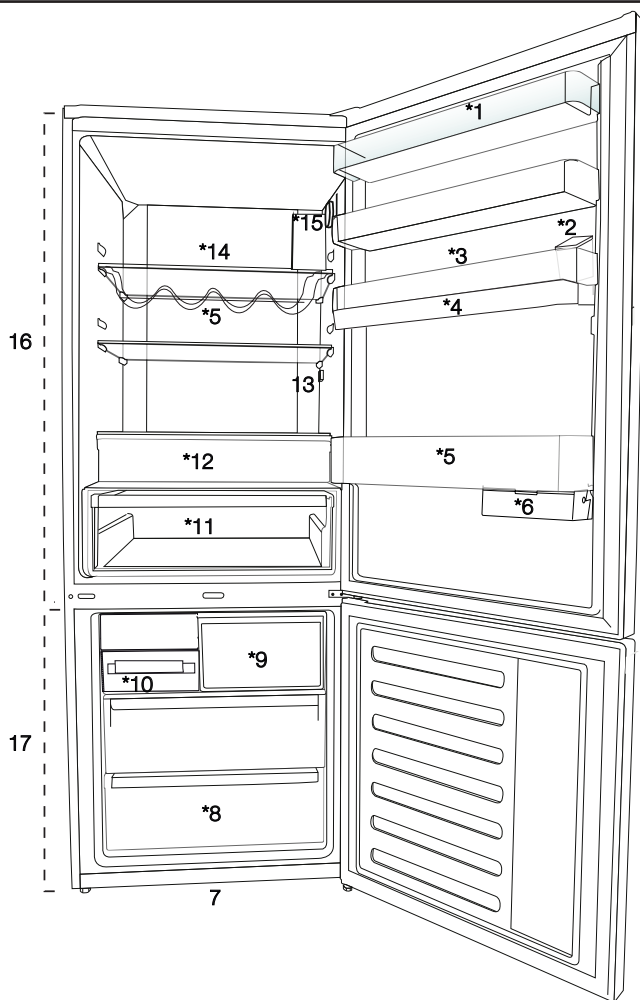
1.5. Përputhja me Direktivën RoHS

- Ky produkt është në përputhje me Direktivën evropiane WEEE (2011/65/EU). Ai nuk përmban materiale të dëmshme dhe të ndaluara të specifikuara në Direktivë.

1.6. Informacionet mbi paketimin

- Materialet e paketimit të produktit prodhohen nga materiale të riciklueshme në përputhje me Rregulloret tona kombëtare për mjedisin. Mos i hidhni materialet e paketimit bashkë me mbeturinat familjare ose mbeturinat e tjera. Çojini ato te pikat e grumbullimit për materialet e paketimit të përcaktuara nga autoritetet lokale.

2 Frigoriferi juaj



1. Rafti i derës së ndarjes së ftohësit
2. Depozita e mbushjes së aparatit të ujit
3. Seksioni i vezëve
4. Rezervuari i aparatit të ujit
5. Rafti i shisheve
6. Kutia e ruajtjes me rrëshqitje
7. Këmbët e rregullueshme
8. Ndarja për ngrirjen e thellë
9. Ndarja për ngrirjen e shpejtë
10. Tava e kubave të akullit dhe depozita e akullit
11. Koshi i perimeve
12. Ndarja e bulmetit (ruajtja e ftohtë)
13. Drita e brendshme
14. Rafti i xhamit të ndarjes së ftohësit
15. Butoni i rregullimit të temperaturës
16. Ndarja e ftohësit
17. Ndarja e ngrirësit



***opsionale:** Fotografitë e dhëna në këtë manual janë figura për shembull dhe mund të mos jenë me saktësi të njëjta si produkti juaj. Nëse produkti juaj nuk i përfshin pjesët përkatëse, informacionet kanë lidhje me modele të tjera.

3.1. Vendi i duhur për montimin

Kontakti me Shërbimin e autorizuar për montimin e produktit. Për ta përgatitur produktin për montim, shikoni informacionet në udhëzuesin e përdorimit dhe sigurohuni që shërbimet elektrike dhe të ujit të jenë siç kërkohet. Nëse jo, telefononi elektrikist dhe një hidraulik për të organizuar shërbimet sipas nevojës.

	KUJDES: Prodhuesi nuk mban asnjë përgjegjësi për çdo dëmtim të kryer nga punët e kryera nga persona të paautorizuar.
	KUJDES: Kabloja elektrike e produktit duhet të hiqet nga priza gjatë montimit. Mosrespektimi i kësaj mund të shkaktojë vdekje ose lëndime të rënda!
	KUJDES: Nëse hapësira e derës është shumë e ngushtë për kalimin e produktit, hiqeni derën dhe kthejeni produktin në anë; nëse kjo nuk funksionon, kontakti me shërbimin e autorizuar.

- Vendoseni produktin në një sipërfaqe të rrafshët për të shmangur dridhjet.
- Vendoseni produktin të paktën 30 cm larg nga ngrohësi, soba ose burime të ngjashme të nxehtësisë dhe të paktën 5 cm larg nga furrat elektrike.
- Mos e ekspozoni produktin ndaj dritës së drejtpërdrejtë të diellit dhe mos e mbani në ambiente me lagështi.
- Produkti kërkon një qarkullim të përshtatshëm të ajrit për të funksionuar me efektivitet.
- Nëse produkti do të vendoset në një vend të futur, mos harroni të lini të paktën 5 cm distancë mes produktit dhe tavanit dhe mureve.
- Mos e montoni produktin në mjedis me temperatura nën -5°C .
- Produkti juaj kërkon një qarkullim të përshtatshëm të ajrit për të funksionuar me efikasitet. Nëse produkti do të vendoset në një vend të futur, mos harroni të lini të paktën 5 cm hapësirë mes produktit dhe tavanit, murit të pasmë dhe mureve anësore.

- Nëse produkti do të vendoset në një vend të futur, mos harroni të lini të paktën 5 cm hapësirë mes produktit dhe tavanit, murit të pasmë dhe mureve anësore. Kontrolloni nëse elementi mbrojtës i pasmë për distancën me murin është i pranishëm në vendin përkatës (nëse është i përfshirë me produktin). Nëse elementi nuk është i disponueshëm ose nuk humbet apo bie, vendoseni produktin në mënyrë që të lini të paktën 5 cm hapësirë mes sipërfaqes së pasme të produktit dhe murit të dhomës. Hapësira në pjesën e pasme është e rëndësishme për një funksionim efikas të produktit.

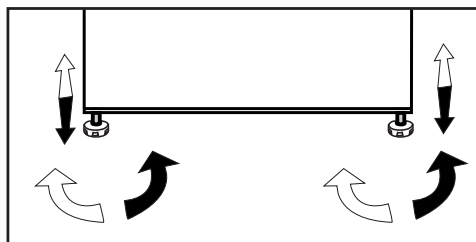
3.2. Vendosja e kunjave plastike

Përdorni kunjat plastike të përfshira me produktin për të siguruar një hapësirë të mjaftueshme për qarkullimin e ajrit midis produktit dhe murit.




1. Për të vendosur kunjat, hiqni vidhat në produkt dhe përdorni vidhat e përfshira me kunjat.
2. Vendosni 2 kunjat plastike në kapakun e ventilimit siç tregohet në figurë.

3.3. Rregullimi i mbështetëseve


Nëse produkti nuk është në ekuilibër, rregulloni mbështetëset e përparme të rregullueshme duke i rrotulluar ato djathtas ose majtas.



3.4. Lidhja elektrike

	KUJDES: Mos përdorni zgjatues ose priza të shumëfishta në lidhjen elektrike.
	KUJDES: Kablloja e dëmtuar elektrike duhet të zëvendësohet nga Shërbimi i autorizuar.
	Kur vendosni dy ftohës në pozicion ngjitur me njëri-tjetrin, lini të paktën 4 cm distancë midis dy njërive.

- Kompania jonë nuk do të mbajë përgjegjësi për asnjë dëmtim të shkaktuar nga përdorimi pa lidhjen e tokëzimit dhe pa lidhjen elektrike në përputhje me rregulloret kombëtare.
- Spina e kordonit elektrik duhet të jetë lehtësisht e arritshme pas montimit.
- Lidhni frigoriferin me një prizë me tokëzim me voltazh 220-240V/50 Hz. Spina duhet të përfshijë një siguresë 10-16A.
- Mos përdorni spina të grupuara me ose pa kablllo zgjatuese midis prizës së murit dhe frigoriferit.

	Paralajmërim për sipërfaqe të nxehtë! Muret anësore të produktit tuaj janë të pajisura me tuba me lëng ftohës për përmirësimin e sistemit të ftohjes. Në këto zona mund të qarkullojë lëngu ftohës me temperatura të larta, duke sjellë nxehtjen e sipërfaqeve në muret anësore. Kjo është normale dhe nuk ka nevojë për shërbim. Tregoni kujdes kur prekni këto zona.
---	---

4.1. Çfarë të bëni për kursimin e energjisë



Lidhja e produktit me sistemet elektronike të kursimit të energjisë është e dëmshme, dhe kjo mund të dëmtojë produktin.

- Për një pajisje kolonë; “ky frigorifer nuk është planifikuar të përdoret si pajisje inkaso.
- Mos i mbani dyert e frigoriferit të hapura për periudha të gjata.
- Mos vendosni ushqime ose pije të nxehta në frigorifer.
- Mos e mbushni shumë frigoriferin; bllokimi i rrjedhës së brendshme të ajrit do të ulë kapacitetin e ftohjes.
- Për të ruajtur sasinë maksimale të ushqimeve në ndarjen e ftohësit të frigoriferit tuaj, duhet të hiqni sirtarët e sipërm dhe t'i vendosni ushqimet në raftin e xhamit. Konsumi i deklaruar i energjisë për frigoriferin tuaj është përcaktuar duke hequr ftohësin, tabakanë e akullit dhe sirtarët e sipërm në mënyrë që të sigurohet ruajtja maksimale e ushqimeve. Rekomandohet shumë që të përdorni sirtarin e poshtëm kur ruani ushqimet. Për konsumin më të mirë të energjisë, duhet të aktivizoni funksionin e kursimit të energjisë.
- Nuk duhet ta bllokoni qarkullimin e ajrit duke vendosur ushqime përpara ventilatorit të ftohësit. Kur vendosni ushqimet, duhet të lini një hapësirë minimumi 3 cm përpara telit mbrojtës të ventilatorit.
- Në varësi të veçorive të produktit, shkrirja e ushqimeve të ngrira në ndarjen e ftohtë do të sigurojë kursimin e energjisë dhe do të ruajë cilësinë e ushqimeve.
- Ushqimet duhet të ruhen me anë të sirtarëve në ndarjen e ftohësit për të siguruar kursimin e energjisë dhe për mbrojtjen e ushqimeve në kushte më të mira.
- Paketimet e ushqimeve nuk duhet të jenë në kontakt të drejtpërdrejtë me sensorin e nxehtësisë që ndodhet në ndarjen e ftohësit. Nëse janë në kontakt me sensorin, konsumi i energjisë së pajisjes tuaj mund të rritet.
- Sigurohuni që ushqimet të mos jenë në kontakt me sensorin e temperaturës së ndarjes së ftohësit që përshkruhet më poshtë.

- Duke qenë se ajri dhe lagështia nuk do të depërtojnë direkt në produkt kur dyert nuk janë të hapura, produkti juaj do të optimalizohet në kushte të mjaftueshme për ta mbrojtur ushqimin. Në këtë funksion të kursimit të energjisë, funksionet dhe komponentet si kompresori, ventilatori, ngrohësi, shkrirja, ndriçimi, ekrani etj. do të punojnë sipas nevojave për të konsumuar minimumin e energjisë, ndërkohë që ruhet freskia e ushqimeve tuaja.
- Në rastin e opsioneve të shumëfishta, raftet prej xhami duhen vendosur në mënyrë që daljet e ajrit në pjesën e pasme të mos bllokohen, preferohet që daljet e ajrit të mbeten nën raftin prej xhami. Ky kombinim mund të ndihmojë në përmirësimin e shpërndarjes së ajrit dhe të efikasitetit të energjisë.

4.2. Përdorimi për herë të parë

Para se ta përdorni frigoriferin, sigurohuni që të bëni përgatitjet e duhura në përputhje me udhëzimet në paragrafët “Udhëzimet për sigurinë dhe mjedisin” dhe “Montimi”.

- Mbajeni produktin në punë pa ushqime në të për 6 orë dhe mos e hapni derën, nëse nuk është shumë e domosdoshme.



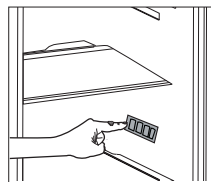
Kur të aktivizohet kompresori do të dëgjoni një tingull. Është normale të dëgjoni tinguj kur kompresori nuk është aktiv, për shkak të lëngjeve dhe gazeve të ngjeshura në sistemin e ftohjes.



Anët e përparme të produktit mund të ngrohen. Kjo është normale. Këto zona janë të projektuara që të ngrohen për të parandaluar kondensimin.



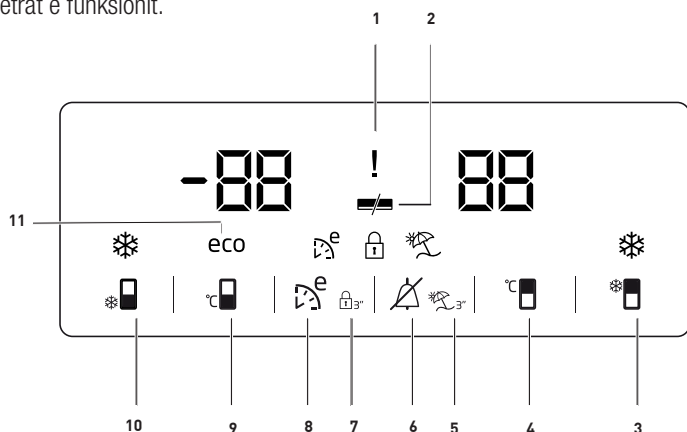
Në disa modele, paneli i treguesve fiket automatikisht 5 minuta pas mbylljes së derës. Ai do të riaktivizohet kur të hapet dera ose kur të shtypet një buton.



Udhëzuesi i frigoriferit / i përdorimit

5.1. Paneli i treguesve

Paneli i treguesve ju lejon të caktoni temperaturën dhe të kontrolloni funksionet e tjera në lidhje me produktin pa e hapur derën e produktit. Thjesht shtypni te mbishkrimet në butonat përkatës për parametrat e funksionit.



1. Treguesi i ndërprerjes së energjisë/ temperaturës së lartë/statusit të gabimit

Ky tregues (!) ndizet në rast të ndërprerjes së energjisë, temperaturës së lartë dhe paralajmërimeve të gabimeve.

Kur temperatura e ndarjes së ngrirësit rritet në nivel kritik për ushqimet e ngrira, vlera maksimale e arritur nga temperatura e ndarjes së ngrirësit pulson në treguesin dixhital.

Kontrolloni ushqimet në ndarjen e ngrirësit.

Ky nuk është një defekt. Paralajmërimi mund të fshihet duke shtypur një buton ose butonin e çaktivizimit të alarmit të temperaturës së lartë. (Anulimi duke shtypur një buton nuk është i vlefshëm për çdo model.)

Ky tregues (!) ndizet kur një ndodh një defekt sensori po ashtu. Kur ky tregues ndizet, "E" dhe shifrat si "1,2,3..." shfaqen në mënyrë të

alternuar në treguesin e temperaturës. Këto shifra te treguesi informojnë personelin e shërbimit për gabimin.

2. Funkzioni i kursimit të energjisë (ekrani joaktiv)

Nëse dyert e produktit mbahen të mbyllura për një kohë të gjatë, funksioni i kursimit të energjisë aktivizohet automatikisht dhe do të ndriçohet simboli i kursimit të energjisë. (🔌)

Kur funksioni i kursimit të energjisë është i aktivizuar, të gjitha simbolet në ekran përveç simbolit të kursimit të energjisë do të çaktivizohen. Kur funksioni i kursimit të energjisë është i aktivizuar, nëse shtypet një buton ose nëse hapet dera, funksioni i kursimit të energjisë do të anulohet dhe simbolet në ekran do të kthehen në normale.



***Opsional:** Shifrat në këtë manual përdorimi janë të përdorura si modele dhe mund të mos përputhen saktësisht me produktin tuaj. Nëse produkti juaj nuk i përfshin pjesët përkatëse, informacionet kanë lidhje me modele të tjera.

Përdorimi i produktit

Funksioni i kursimit të energjisë aktivizohet gjatë dorëzimit të produktit nga fabrika dhe nuk mund të anulohet.

3 - Funksioni i ngrirjes së shpejtë

Ky buton ka dy funksione. Për të aktivizuar ose çaktivizuar funksionin e ftohjes së shpejtë, shtypni atë për pak kohë. Treguesi i ftohjes së shpejtë do të çaktivizohet dhe produkti do të kthehet në parametrat normalë. (☺)

	Përdorni funksionin e ftohjes së shpejtë kur dëshironi të ftohni me shpejtësi ushqimet e vendosura në ndarjen e frigoriferit. Nëse dëshironi të ftohni sasi të mëdha ushqimesh të freskëta, aktivizoni këtë funksion para se t'i vendosni ushqimet në produkt.
	Nëse nuk e anuloni, ftohja e shpejtë do të anulohet automatikisht pas 1 orësh ose kur ndarja e frigoriferit të arrijë temperaturën e kërkuar.
	Nëse e shtypni butonin e ftohjes së shpejtë vazhdimisht me intervale të shkurtra, do të aktivizohet mbrojtja e qarkut elektronik dhe kompresori nuk do të ndizet menjëherë.
	Ky funksion nuk riaktivizohet kur ka një ndërprerje të energjisë dhe rikthehet korrenti.

4. Butoni i përcaktimit të temperaturës së ndarjes së frigoriferit

Shtypni këtë buton për të caktuar temperaturën e ndarjes së frigoriferit përkatësisht në 8,7,6, 5,4,3, 2 ,1 ,8... Shtypni këtë buton për të caktuar temperaturën e ndarjes së frigoriferit te vlera e dëshiruar. (☺)

5. Funksioni i pushimeve

Për të aktivizuar funksionin e pushimeve, shtypni këtë buton (☺) për 3 sekonda, dhe më pas do të aktivizohet treguesi i modalitetit të pushimeve (☺). Kur aktivizohet funksioni

i pushimeve, në treguesin e temperaturës së ndarjes së frigoriferit shfaqet “- -” dhe në ndarjen e frigoriferit nuk kryhet ftohja aktive. Nuk është e përshtatshme që të mbani ushqime në ndarjen e frigoriferit kur ky funksion është i aktivizuar. Ndarjet e tjera do të vazhdojnë të ftohen sipas temperaturës së tyre të përcaktuar.

Për ta anuluar këtë funksion, shtypni përsëri butonin e Pushimeve.

6. Paralajmërimi i çaktivizimit të alarmit

Në rast të alarmit të ndërprerjes së energjisë/ temperaturës së lartë, pasi të kontrolloni ushqimet e vendosura në ndarjen e ngrirësit, shtypni butonin e çaktivizimit të alarmit (☺) për ta hequr paralajmërimin.

7. Kyçi i butonave

Shtypni butonin e kyçit të butonave (☺) për 3 sekonda. Simboli i kyçit të butonave

(☺) do të ndriçohet dhe do të aktivizohet modaliteti i kyçit të butonave. Butonat nuk do të punojnë në rast se modaliteti i kyçit të butonave është aktiv. Shtypni butonin e kyçit të butonave në të njëjtën kohë për 3 sekonda. Simboli i kyçit të butonave do të çaktivizohet dhe do të dilni nga modaliteti i kyçit të butonave.

Shtypni butonin e **kyçit të butonave** nëse dëshironi që të parandaloni ndryshimin e përcaktimit të temperaturës së frigoriferit (☺).

8. Funksioni ekonomik i veçantë

Mbajeni të shtypur butonin e funksionit ekonomik të veçantë për 1 sekondë për të aktivizuar funksionin përkatës. Frigoriferi do të fillojë të punojë në modalitetin më ekonomik të paktën 6 orë më vonë dhe treguesi i përdorimit ekonomik do të aktivizohet kur funksioni të jetë aktiv (☺). Mbajeni të shtypur butonin e funksionit ekonomik të veçantë për 3 sekonda për ta çaktivizuar funksionin përkatës.


Përdorimi i produktit

Ky tregues ndriçohet pas 6 orësh kur aktivizohet funksioni ekonomik i veçantë.


9. Butoni i përcaktimit të temperaturës së ndarjes së ngrirësit

Shtypni këtë buton për të caktuar temperaturën e ndarjes së ngrirësit përkatësisht në -18, -19, -20, -21, -22, -23, -24, -18... Shtypni këtë buton për të caktuar temperaturën e ndarjes së ngrirësit te vlera e dëshiruar. 

10. Butoni i funksionit të ngrirjes së shpejtë, butoni i aktivizimit-çaktivizimit të Icematic

Shtypni këtë buton për të aktivizuar ose çaktivizuar funksionin e ngrirjes së shpejtë. Kur e aktivizoni funksionin, ndarja e ngrirësit do të ftohet në një temperaturë më të ulët se vlera e caktuar.  Për ta aktivizuar dhe çaktivizuar funksionin Icematic, mbajeni të shtypur për 3 sekonda.

11. Treguesi i përdorimit ekonomik

Tregon se produkti po punon në modalitetin e efikasitetit të energjisë.  Ky tregues do të jetë aktiv nëse temperatura e Ndarjes së ngrirësit caktohet në -18 ose nëse kryhet ftohja efikase për energjinë nga funksioni Eko-ekstra.



Treguesi i përdorimit ekonomik çaktivizohet kur zgjidhet funksioni i ftohjes ose ngrirjes së shpejtë.



Përdorni funksionin e ngrirjes së shpejtë kur dëshironi të ngrini me shpejtësi ushqimet e vendosura në ndarjen e frigoriferit. Nëse dëshironi të ngrini sasi të mëdha ushqimesh të freskëta, aktivizoni këtë funksion para se t'i vendosni ushqimet në produkt.



Nëse nuk e anuloni, ngrirja e shpejtë do të anulohet automatikisht pas 24 orësh ose kur ndarja e frigoriferit të arrijë temperaturën e duhur.



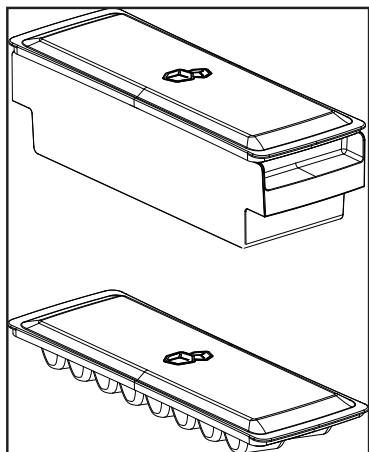
Ky funksion nuk riaktivizohet kur ka një ndërprerje të energjisë dhe rikthehet korrenti.

Përdorimi i produktit

5.2 Kova e akullit

*opsionale

- Hiqni kovën e akullit nga ndarja e ngrirësit.
 - Mbusheni kovën e akullit me ujë.
 - Vendoseni kovën e akullit në ndarjen e ngrirësit.
 - Akulli do të jetë gati pas afro dy orësh.
- Merrni kovën e akullit nga ndarja e ngrirësit dhe përkuleni lehtë mbi enën ku do ta shërbeni. Akulli do të derdhet me lehtësi në enën e përdorimit.



5.3 Mbajtësja e vezëve

Mbajtësen e vezëve mund ta vendosni te dera ose në një raft të trupit sipas dëshirës. Nëse vendosni ta mbani në një raft të trupit, rekomandohet të zgjidhni më mirë raftet poshtë pasi janë më të ftohta.

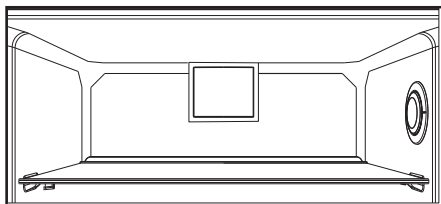


Mos e vendosni mbajtësen e vezëve në ndarjen e ngrirësit.

5.4 Ventilatori

Ventilatori është projektuar për të qarkulluar ajrin e ftohtë brenda frigoriferit në mënyrë të njëtrajtshme. Koha e përdorimit të ventilatorit mund të ndryshojë në varësi të veçorive të produktit tuaj.

Ndërkohë që në disa produkte ventilatori punon me kompresorin, në produkte të tjera koha e përdorimit përcaktohet nga sistemi i kontrollit bazuar në nevojën për ftohje.



Përdorimi i produktit

5.5 Koshi i perimeve

*opsionale

Koshi i perimeve i produktit është i projektuar për t'i ruajtur perimet e freskëta, duke ruajtur lagështinë. Për këtë qëllim, qarkullimi i përgjithshëm i ajrit të ftohtë është më i lartë në koshin e perimeve.

5.5 Rafti i lëvizshëm i derës

*opsionale

Rafti i lëvizshëm i derës mund të fiksohet në 3 pozicione të ndryshme.

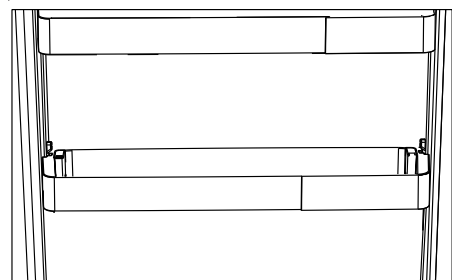
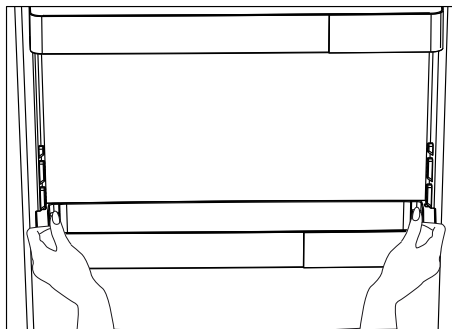
Për ta lëvizur raftin, shtypni njëkohësisht butonat në anë. Rafti do të mund të lëvizet.

Zhvendoseni raftin lart ose poshtë.

Kur rafti të jetë në pozicionin që dëshironi, lëshoni butonat. Rafti do të fiksohet në pozicionin ku keni lëshuar butonat.

5.6 Ndarja e bulmetit (ruajtja e ftohtë)

Siguron një temperaturë më të ulët se ndarja e frigoriferit. Përdoreni këtë ndarje për të ruajtur ushqime gastronomike (sallam, suxhukë, produkte bulmeti etj.) që kërkojnë një temperaturë më të ulët ose mish, mish pule ose peshk për konsum të menjëhershëm. Mos ruani fruta dhe perime në këtë ndarje



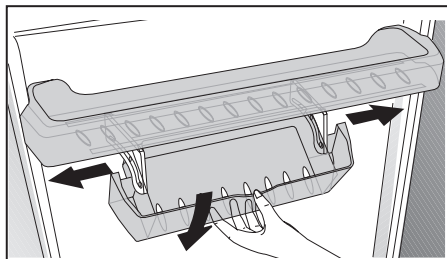
Përdorimi i produktit

5.7 Kutia e ruajtjes me rrëshqitje

*opsionale

Ky aksesori është projektuar për të rritur vëllimin e përdorimit të rafteve të derës.

Falë aftësisë së tij për të lëvizur në anë, ai bën të mundur që të vendosni me lehtësi shishe, kavanozë ose kuti të gjata në raftin e shisheve më poshtë.



5.8 HerbBox/HerbFresh

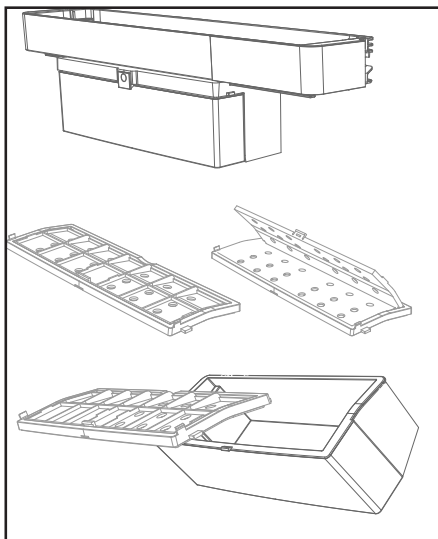
Hiqni kontejnerin me film nga HerbBox/HerbFresh+

Hiqni filmin nga qesja dhe vendoseni në kontejnerin me film si në imazh.

Mbylleni përsëri kontejnerin dhe vendoseni përsëri në njësinë HerbBox/HerbFresh+.

Ndarjet HerbBox-HerbFresh+ janë më shumë ideale për ruajtjen e erëzave të ndryshme që pritet të mbahen në kushte delikate. Mund t'i ruani erëzat pa qese (majdanoz, kopër, etj.) në këtë ndarje në mënyrë horizontale dhe t'i mbani të freskëta për një kohë më të gjatë.

Filmi duhet të ndërrohet çdo gjashtë muaj.



Përdorimi i produktit

5.9 Koshi i perimeve me lagështi të kontrolluar

*opsionale

Me veçorinë e kontrollit të lagështisë, nivelet e lagështisë së perimeve dhe frutave mbahen nën kontroll dhe kjo siguron një freski më të gjatë për ushqimet.

Rekomandohet që perimet me gjethe, si sallata, spinaqi dhe perimet e ngjashme që humbasin lagështi, t'i ruani sa më shumë në pozicion horizontal dhe jo mbi rrënjët e tyre në koshin e perimeve.

Kur vendosni perimet, vendosni perimet e forta dhe të rënda në fund dhe perimet e buta dhe të lehta sipër, duke pasur parasysh peshat specifike të perimeve.

Mos i lini perimet në qese plastike në koshin e perimeve. Nëse i lini në qese plastike, kjo bën që perimet të kalben për një kohë të shkurtër. Në rastet kur nuk preferoni kontaktin me perimet e tjera, përdorni materiale paketimi, si letër, që ka një depërtueshmëri të caktuar në kuadër të higjienës.

Mos i vendosni frutat që krijojnë shumë gaz etileni, si dardhat, kajsitë, pjeshkat dhe sidomos mollët, në të njëjtin kosh perimesh me perime dhe fruta të tjera. Gazi i etilenit që del nga këto fruta mund të bëjë që perimet dhe frutat e tjera të piqen më shpejt dhe të kalben në një periudhë të shkurtër.

5.10 Aparati autoamtik i akullit

*opsionale

Aparati automatik i akullit bën të mundur që të prodhoni me lehtësi akull në frigoriferin tuaj. Për të marrë akull nga aparati i akullit, nxirri depozitën e ujit nga ndarja e ftohësit, mbusheni me ujë dhe vendoseni përsëri.

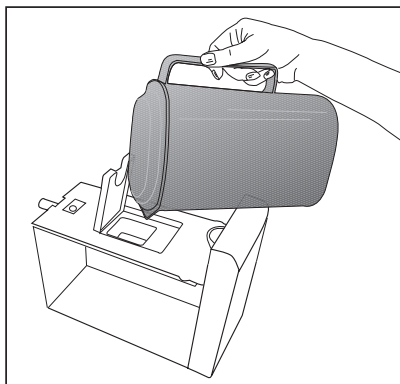
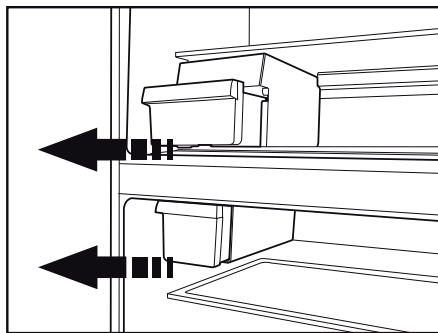
Kubat e parë të akullit do të jenë gati për afro 2 orë në sirtarin e aparatit të akullit në ndarjen e ftohësit.

Pas vendosjes së depozitës së mbushur të ujit, mund të merrni rreth 60-70 kuba akulli deri sa ajo të boshatiset plotësisht.

Nëse uji në depozitë ka qëndruar për 2-3 javë, ai duhet të ndërrohet.



Në produktet me një aparat automatik akulli, mund të dëgjoni një zhurmë kur nxirri akullin. Kjo zhurmë është normale dhe nuk është shenjë defekti.



Përdorimi i produktit

5.11 Icematic dhe kontejneri i ruajtjes së akullit

*opsionale

Përdorimi i Icematic

Mbusheni Icematic me ujë dhe vendoseni në vendin përkatës. Akulli do të jetë gati për afro dy orë. Mos e hiqni Icematic nga vendi i tij për të marrë akullin.

Rrotulloni dorezat në rezervuarët e akullit në drejtim orar me 90 gradë.

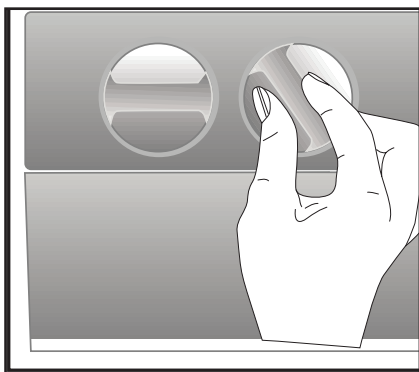
Kubat e akullit në rezervuarë do të bien në kontejnerin e ruajtjes së akullit poshtë.

Mund ta nxirni kontejnerin e ruajtjes së akullit dhe t'i përdorni kubat e akullit.

Nëse dëshironi, mund t'i mbani kubat e akullit në kontejnerin e ruajtjes së akullit.

Kontejneri i ruajtjes së akullit

Kontejneri i ruajtjes së akullit është vetëm për grumbullimin e kubave të akullit. Mos hidhni ujë në të. Në rast të kundërt, ai do të thyhet.



5.12 Përdorimi i aparatit të ujit

*opsionale



Është normale që në fillim disa gota me ujë nga aparati të jenë të ngrohta.

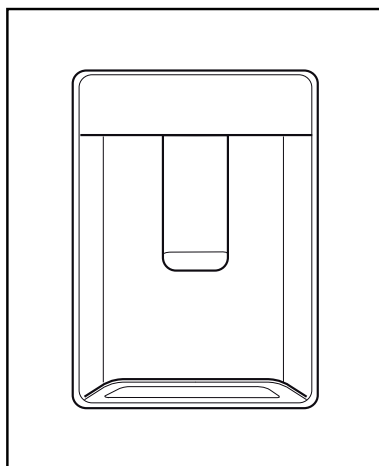


Nëse aparati i ujit nuk përdoret për një kohë të gjatë, hidhni poshtë gotat e para me ujë për të marrë ujë të pastër.

1. Shtyjeni levën e aparatit të ujit me gotë. Nëse po përdorni një gotë plastike të butë, mund të jetë më e lehtë ta shtyni levën me dorë.
2. Pasi ta mbushni gotën në nivelin e dëshiruar, lëshojeni levën.



Kini parasysh se sasia e ujit që rrjedh nga aparati varet nga sa e shtypni levën. Me rritjen e nivelit të ujit në gotë, uleni lehtë presionin e ushtruar mbi levë për të shmangur derdhjen e ujit. Nëse e shtypni pak krahun, do të derdhet ujë; kjo është normale dhe nuk është një defekt.



Përdorimi i produktit

5.13 Mbushja e depozitës së aparatit të ujit

Rezervuari i mbushjes së depozitës së ujit ndodhet brenda raftit të derës.

1. Hapni kapakun e depozitës.
2. Mbusheni depozitën me ujë të pijshëm të freskët.
3. Mbylleni kapakun.



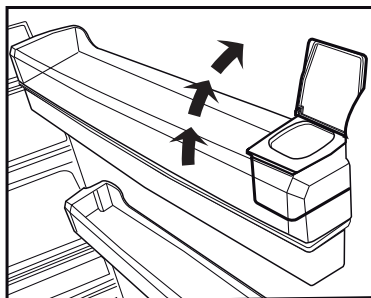
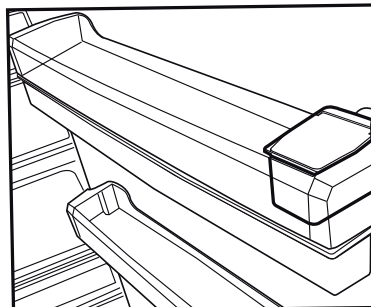
Mos e mbushni depozitën e ujit me lëngje të tjera, përveç ujit, si lëngje frutash, pije me gaz ose pije alkoolike që nuk janë të përshtatshme për t'u përdorur në aparatit e ujit. Aparati i ujit do të dëmtohet në mënyrë të pariparueshme nëse përdoren këto lëngje. Garancia nuk i mbulon përdorime të tilla. Disa substanca kimike dhe substanca të shtuara në këto lloj pijesh/lëngjesh mund të dëmtojnë depozitën e ujit.



Përdorni vetëm ujë të pastër dhe të pijshëm.



Kapaciteti i depozitës së ujit është 3 litra; mos e mbushni më shumë.



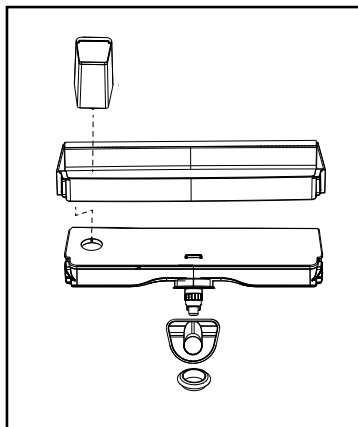
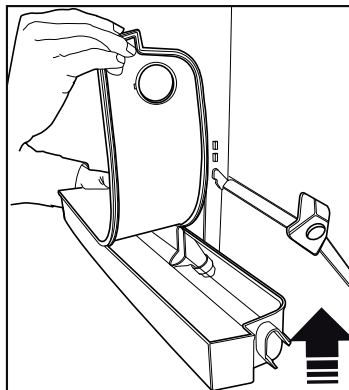
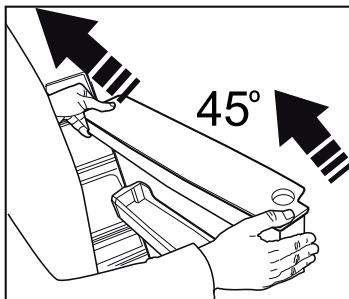
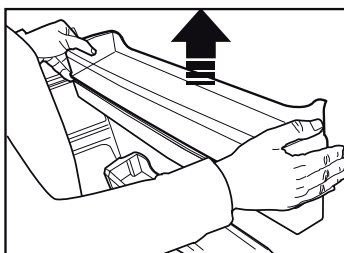
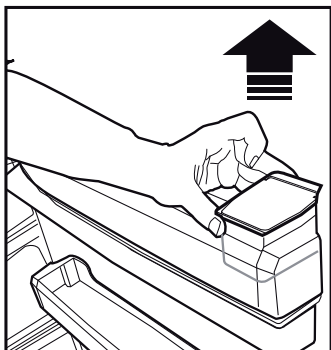
Përdorimi i produktit

5.14 Pastrimi i depozitës së ujit

1. Hiqni rezervuarin e mbushjes së ujit brenda raftit të derës.
2. Hiqni raftin e derës duke e mbajtur nga të dyja anët.
3. Kopeni depozitën e ujit nga të dyja anët dhe hiqni me një kënd 45°.
4. Hiqni kapakun e depozitës së ujit dhe pastroni depozitën.



Pjesët e depozitës së ujit dhe të aparatit të ujit nuk duhet të lahen në lavastovilje.



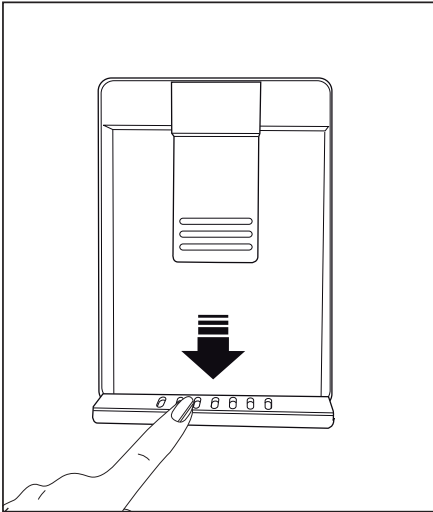
Përdorimi i produktit

5.15 Tabakaja e derdhjes

Uji që derdhet gjatë përdorimit të aparatit të ujit grumbullohet në tavën e derdhjes.

Hiqni filtrin plastik siç tregohet në figurë.

Hiqni ujin e grumbulluar me një rrobë të pastër e të thatë.



Përdorimi i produktit

5.16 Ngrirja e ushqimeve të freskëta

- Për të ruajtur cilësinë e ushqimeve, artikujt ushqimorë të vendosur në ndarjen e ngrirësit duhet të ngrijnë sa më shpejt të jetë e mundur - përdorni ngrirjen e shpejtë për këtë gjë.
- Ngrirja e ushqimeve kur janë të freskëta do të zgjasë kohën e ruajtjes së tyre në ndarjen e ngrirësit.
- Paketojini ushqimet në pako të izoluara nga ajri dhe mbyllini mirë.
- Sigurohuni që ushqimet të jenë të paketuara para se t'i vendosni në ngrirës. Përdorni mbajtëse për ngrirësin, letër alumini, letër kundër lagështisë, qese plastike ose paketime të ngjashme në vend të letrës tradicionale të paketimit.



Akulli në ndarjen e ngrirjes shkrihet automatikisht.

- Shënojeni çdo pako ushqimesh duke shënuar datën në paketim para se t'i ngrini.

Kjo do t'ju lejojë të përcaktoni freskinë e secilës pako sa herë që hapni ngrirësin. Mbjajni përpara ushqimet më të vjetra për të garantuar që do të përdoren të parat.

- Ushqimet e ngrira duhet të përdoren menjëherë pas shkrijes dhe nuk duhet të ngrijnë përsëri.
- Mos shkrihi sasi shumë të mëdha ushqimesh në të njëjtën kohë.

5.17 Rekomandimet për ruajtjen e ushqimeve të ngrira

Ndarja duhet të caktohet të paktën në -18°C.

1. Vendosini ushqimet në ngrirës sa më shpejt të jetë e mundur për të shmangur shkrijen e tyre.
2. Para se t'i ngrini, kontrolloni "Datën e skadimit" paketim për t'u siguruar që nuk kanë skaduar.
3. Sigurohuni që paketimi i ushqimit nuk është i dëmtuar.

Përcaktimi i temperaturës së ndarjes së ngrirësit	Përcaktimi i temperaturës së ndarjes së ftohësit	Detajet
-18°C	4°C	Ky është parametri i paracaktuar i rekomanduar.
-20,-22 ose -24°C	4°C	Këta parametra rekomandohen kur temperaturat e ambientit kalojnë 30°C.
Ngrirja e shpejtë	4°C	Përdoreni kur dëshironi të ngrini ushqimet për një kohë të shkurtër. Kur të mbarojë procesi, produkti do të rikthehet në pozicionin e tij.
-18°C ose më i ftohtë	2°C	Përdorni këta parametra nëse besoni se ndarja e ftohësit nuk është e ftohtë sa duhet për shkak të temperaturës së ambientit ose nga hapja e shpeshtë e derës.

Përdorimi i produktit

5.18 Detajet për ngrirjen e thellë

Sipas standardeve IEC 62552, ngrirësi duhet të ketë kapacitetin për të ngrirë 4,5 kg ushqime në -18°C ose në temperatura më të ulët në 24 orë për çdo 100 litra vëllim të ndarjes së ngrirësit.

Ushqimet mund të ruhen për periudha të gjata vetëm në -18°C ose në temperaturë më të ulët.

Mund t'i mbani ushqimet të freskëta për muaj të tërë (në grirje të thellë ose në temperatura nën -18°C).

Ushqimet që do të ngrini nuk duhet të bien në kontakt me ushqimet e ngrira në brendësi për të shmangur shkrijen e pjesshme.

Ziejini perimet dhe filtrojeni ujin për të zgjatur kohën e ruajtjes në ngrirje. Vendosini ushqimet në paketime të izoluar nga ajri pas filtrimit dhe vendosini në ngrirës. Bananet, domatet, sallata, selinoja, vezët e ziera, patatet dhe ushqime të tjera të ngjashme nuk duhet të ngrihen. Në rast se këto ushqime kalben, kjo do të ketë ndikim negativ vetëm në vlerat ushqimore dhe cilësitë e shijeve. Kalbja nuk do të jetë një rrezik për shëndetin njerëzor.

5.19 Vendosja e ushqimeve

Raftet e ndarjes së ngrirësit	Ushqimet e ndryshme të ngrira si mishi, peshku, akullorja, perimet, etj.
Raftet e ndarjes së ftohësit	Ushqimet në vazo, pjata e mbuluara dhe kuti me kapak, vezë (në kuti me kapak)
Raftet e derës së ndarjes së ftohësit	Pije dhe ushqime të vogla të paketuara
Koshi i perimeve	Frutat dhe perimet
Ndarja e ushqimeve të freskëta	Ushqimet delikate (ushqimet për mëngjes, produktet e mishit që do të konsumohen së shpejti)

5.20 Sinjalizimi i hapjes së derës (Opsionale)

Do të dëgjoni një sinjalizim zanor nëse dera e produktit qëndron e hapur për të paktën 1 minutë. Sinjalizimi zanor do të ndalojë kur dera është e mbyllur ose kur shtypet një buton në ekran (nëse ka).

Sinjalizimi për derën e hapur bëhet në mënyrë zanore dhe vizuale për përdoruesin. Drita e brendshme do të çaktivizohet nëse paralajmërimi vazhdon për 10 minuta.

5.21 Ndryshimi i drejtimit të hapjes së derës

Mund ta ndryshoni drejtimin e hapjes së frigoriferit në varësi të vendit ku e përdorni. Kur të keni nevojë të bëni këtë, këshillohuni me shërbimin e autorizuar më të afërt.

Shpjegimi i mësipërm është një prezantim i përgjithshëm. Duhet të kontrolloni etiketën e paralajmërimit që ndodhet brenda paketimit të produktit mbi mundësinë e ndryshimit të drejtimit të derës.

5.22 Drita e brendshme

Drita e brendshme përdor një llambë të tipit LED. Kontaktoni me shërbimin e autorizuar për çdo problem me këtë llambë.

Llamba(t) e përdorur në këtë pajisje nuk mund të përdoret për ndriçimin e shtëpisë. Qëllimi i përdorimit të kësaj llambe është të ndihmojë përdoruesin të vendosë ushqime në frigorifer / ngrirës në mënyrë të sigurt dhe me lehtësi.

Përdorimi i produktit

5.23 Drita blu/HarvestFresh

***Mund të mos jetë e disponueshme në të gjitha modelet**

Për dritën blu,

Frutat dhe perimet e ruajtura në ndarëset e perimeve që ndriçohen me një dritë blu vazhdojnë fotosintezën nëpërmjet efektit të gjatësisë së valëve të dritës blu dhe ruajnë kështu përmbajtjen e vitaminave.

Për HarvestFresh,

Frutat dhe perimet e ruajtura në ndarëset e perimeve që ndriçohen me teknologjinë HarvestFresh i ruajnë vitaminat për një kohë më të gjatë falë dritave blu, jeshile dhe të kuqe dhe cikleve të errësirës, të cilat simulojnë ciklin e një dite.

Nëse e hapni derën e frigoriferit gjatë periudhës së errësirës së teknologjisë HarvestFresh, frigoriferi do ta zbulojë automatikisht këtë dhe do të aktivizojë dritën blu-jeshile ose të kuqe për ndriçimin e ndarëses së perimeve për lehtësinë tuaj. Pasi ta keni mbyllur derën e frigoriferit, periudha e errësirës do të vazhdojë duke përfaqësuar kohën e natës në ciklin e një dite.

5.24 Ndërrimi i llambës së ndriçimit

Për të ndërruar llambën/dritën LED që përdoret për ndriçimin e frigoriferit, telefononi Shërbimin e autorizuar.

Llamba(t) e përdorur në këtë pajisje nuk është e përshtatshme për ndriçimin e dhomave të shtëpisë. Qëllimi i kësaj llambe është të ndihmojë përdoruesin të vendosë ushqime në frigorifer/ngrirës në një mënyrë të sigurt dhe të lehtë.

Llambat e përdorura në këtë pajisje duhet t'i rezistojnë kushteve fizike ekstreme si temperaturat nën -20 °C.

Ky produkt është i pajisur me një burim ndriçimi të klasës energjetike "G".

Burimi i ndriçimit në këtë produkt duhet të zëvendësohet vetëm nga riparues profesionistë.

Jetëgjatësia e produktit rritet nëse ai pastrohet rregullisht



KUJDES: Në fillim hiqeni produktin nga priza para se ta pastroni.

- Mos përdorni asnjëherë mjete të mprehta dhe gërryese, sapun, pastrues shtëpiak, detergjente dhe shkëlqyes me dyllë për pastrimin.
- Tretni një lugë çaji me karbonat në një gjysmë litri ujë. Lagni një rrobë me këtë solucion dhe shtrydhjeni mirë. Fshini pjesën e brendshme të pajisjes me këtë rrobë dhe thajeni mirë.
- Sigurohuni që uji të mos hyjë te struktura e llambës dhe elementet e tjera elektrike.
- Pastroni derën me një rrobë të njomë. Për të hequr raftet e derës dhe të trupit të pajisjes, hiqni të gjitha përmbajtjet e tyre. Hiqni raftet e derës duke i lëvizur lart. Pas pastrimit, rrëshqitini nga lart poshtë për t'i montuar.
- Mos përdorni asnjëherë substanca ose ujë me klor për të pastruar sipërfaqet e jashtme dhe pjesët me veshje kromi të produktit. Klorigjaktakton gërryerjen e sipërfaqeve të tilla metalike.
- Mos përdorni mjete të mprehta, gërryese, sapun, substanca pastrimi të shtëpisë, detergjente, vajguri, kaburant, vaj, bojë etj. për të parandaluar heqjen dhe deformimin e printimeve në pjesët plastike. Përdorni ujë të vakët dhe një pecetë të butë për pastrimin dhe më pas thajeni duke e fshirë.

6.1. Shmangia e aromave të këqija

Për prodhimin e pajisjeve tona nuk përdoren materiale që mund të shkaktojnë aroma. Sidoqoftë, për shkak të kushteve të papërshtatshme të ruajtjes së ushqimeve dhe mospastrimit të sipërfaqes së brendshme të pajisjes si duhet mund të shfaqet problemi i aromave të këqija.

Për këtë arsye, pastrojini frigoriferin me karbonat të tretur në ujë çdo 15 ditë.

- Mbajini ushqimet në kontejnerë të mbyllur. Mikroorganizmat që përhapen nga kontejnerët e pambuluar mund të shkaktojnë aroma të pakëndshme.

- Mos mbani asnjëherë ushqime të prishura dhe me data të skaduara në frigorifer.

6.2. Mbrojtja e sipërfaqeve plastike

Pastroni menjëherë me ujë të ngrohtë pasi vaji mund të shkaktojë dëmtim në sipërfaqe kur bie mbi sipërfaqet plastike.

6.3. Xhamat e derës

Hiqni fletën mbrojtëse të xhamave.

Në sipërfaqen e xhamave ka një shtresë. Kjo shtresë minimizon grumbullimin e njollave dhe ndihmon në heqjen e njollave dhe papastërtive me lehtësi. Xhamat që nuk janë të mbrojtura me një veshje të tillë mund të jenë objekt i grumbullimit të papastërtive organike ose joorganike me bazë uji ose ajri si smërçi, kripëra minerale, hidrokarbure të padjegura, okside metali dhe silikonë që mund të shkaktojnë njolla ose dëmtime të materialeve me shpejtësi dhe me lehtësi. Pastrimi i vazhdueshëm i xhamit bëhet i vështirë, pavarësisht pastrimit të rregullt. Si pasojë, pamja dhe tejudukshmëria e xhamit do të përkeqësohet. Substancat dhe metodat e pastrimit të ashpra dhe gërryese do t'i përkeqësojnë këto defekte dhe do ta shpejtojnë këtë proces.

Për pastrimin e rregullt duhet të përdoren produkte pastrimi me bazë uji që nuk janë alkaline dhe gërryese.

Për pastrimin duhet të përdoren materiale jo alkaline dhe jo gërryese në mënyrë që jetëgjatësia e kësaj veshjeje të zgjasë për një kohë të gjatë.

Këta xhama janë të temperuar, për të rritur qëndrueshmërinë e tyre ndaj goditjeve dhe thyerjes. Në sipërfaqet e tyre të pasme është vendosur po ashtu një fletë sigurie si një masë shtesë sigurie për të parandaluar dëmtimet e ambientit rrethues në rast se thyhen.

*Alkali është një bazë që krijon jone hidroksidi (OH) kur tretet në ujë.

Li (litiumi), Na (natriumi), K (kaliumi) Rb (rubidiumi), Cs (ceziumi) dhe metalet artificiale dhe radioaktive Fr (fansiumi) quhen METALE ALKALINE.

Kontrolloni këtë listë para se të kontaktoni me servisin. Kjo do t'ju kursejë kohë dhe para. Kjo listë përfshin ankesat e shpeshta që nuk janë të lidhura me defekte të prodhimit ose të materialeve. Disa veçori të përmendura këtu mund të mos jenë të vlefshme për produktin tuaj.

Frigoferi nuk punon.

- Spina elektrike nuk është vendosur mirë. >>> Shtyjeni që të jetë e vendosur mirë në prizë.
- Siguresa e lidhur me prizën e produktit ose siguresa kryesore mund të jetë e djegur. >>> Kontrolloni siguresat.

Kondensim në faqen anësore të ndarjes së ftohësit (pjesameshëmëzona, ftohësi, kontrolli dhe zona fleksibël)

- Mjedisi është shumë i lagësht. >>> Mos e montoni produktin në mjedise me lagështi.
- Ushqimet e lëngshme mbahen në mbajtëse të paizoluara. >>> Mbajini ushqimet e lëngshme në mbajtëse të izoluara.
- Dera e produktit është lënë e hapur. >>> Mos e mban derën e frigoferit të hapur për periudha të gjata.
- Temperatura e termostatit është shumë e ulët. >>> Vendoseni termostatit në temperaturën e duhur

Kompresori nuk punon.

- Në rast se ndërprerjeve të energjisë ose heqjes dhe rivendosjes së spinës, presioni i gazit në sistemin e ftohjes së produktit nuk është i ekuilibruar dhe kjo aktivizon mbrojtjen termik të kompresorit. Produkti do të rifillojë punën pas afro 6 minutash. Nëse produkti nuk rifillon punën pas kësaj periudhe, kontaktoni me servisin.
- Shkrija është aktive. >>> Kjo është normale për një produkt me shkrija automatike. Shkrija kryhet periodikisht.
- Produkti nuk është në prizë. >>> Sigurohuni që kordoni elektrik të jetë në prizë.
- Përcaktimi i temperaturës nuk i gabuar. >>> Zgjidhni përcaktimin e përshtatshëm të temperaturës.
- Nuk ka energji elektrike. >>> Produkti do të vazhdojë të punojë si normalisht pas rikthimit të energjisë

Zhurma e përdorimit të frigoferit rritet gjatë punës.

- Rendimenti i përdorimit të frigoferit mund të ndryshojë në varësi të ndryshimeve të temperaturës së ambientit. Kjo është normale dhe nuk është një defekt.
- Frigoferi punon shumë shpesh dhe për një kohë të gjatë.
- Produkti i ri mund të jetë më i madh se produkti i mëparshëm. Produktet e mëdha do të punojnë për periudha më të gjata.
- Temperatura e dhomës mund të jetë shumë e lartë. >>> Produkti do të punojë normalisht për periudha më të gjata në temperatura më të larta të dhomës.
- Produkti mund të jetë vënë në prizë së fundi ose mund të jenë vendosur ushqime të tjera në të. >>> Produkti do të kërkojë më shumë kohë për të arritur temperaturën e caktuar kur vendoset në prizë së fundi ose kur vendosen ushqime të reja. Kjo është normale.
- Sasi të mëdha ushqimesh të nxehta mund të jenë vendosur në produkt së fundi. >>> Mos vendosni ushqime të nxehta te produkti.
- Dyert janë hapur shpesh ose janë mbajtur të hapura për periudha të gjata. >>> Ajri i ngrohtë që lëviz brenda do të bëjë që produkti të punojë më gjatë. Mos i hapni shumë shpesh dyert.
- Dera e ngrirësit ose e ftohësit mund të jetë pak e hapur. >>> Kontrolloni që dyert të jenë të mbyllura mirë.
- Produkti mund të jetë vendosur në temperaturë shumë të ulët. >>> Vendoseni temperaturën pak më lart dhe prisni që produkti të arrijë temperaturën e rregulluar.
- Rondelja e derës së ftohësit ose ngrirësit mund të jetë e pistë, e konsumuar, e thyer ose jo në vendin e duhur. >>> Pastroni ose ndërtoni rondelen. Rondelet e dëmtuara/të konsumuara të derës do të bëjnë që produkti të punojë për periudha më të gjata për të ruajtur temperaturën aktuale.

Zgjidhja e problemeve

Zgjidhja e problemeve

- Temperatura e ndarjes së ngrirësit është vendosur shumë e ulët. >>> Ngrijeni pak temperaturën e ndarjes së ngrirësit dhe kontrollojeni përsëri.
- Temperatura e ftohësit është shumë e ulët, por temperatura e ngrirësit është e përshtatshme.
- Temperatura e ndarjes së ftohësit është vendosur shumë e ulët. >>> Ngrijeni pak temperaturën e ndarjes së ngrirësit dhe kontrollojeni përsëri.
- Ushqimet në raftet e ndarjes së ftohësit janë të ngrira
- Temperatura e ndarjes së ftohësit është vendosur shumë e ulët. >>> Ngrijeni pak temperaturën e ndarjes së ngrirësit dhe kontrollojeni përsëri.
- Temperatura në ftohës ose në ngrirës është shumë e lartë.
- Temperatura e ndarjes së ftohësit është vendosur shumë e lartë. >>> Përcaktimi i temperaturës së ndarjes së ftohësit ka ndikim në temperaturën në ndarjen e ngrirësit. Prisni deri sa temperatura e pjesëve përkatëse të arrijë një nivel të mjaftueshëm duke e ndryshuar temperaturën e ndarjes së ftohësit ose të ngrirësit.
- Dyert janë hapur shpesh ose janë mbajtur të hapura për periudha të gjata. >>> Mos i hapni shumë shpesh dyert.
- Dera mund të jetë pak e hapur. >>> Mbylleni plotësisht derën.
- Produkti mund të jetë vënë në prizë së fundi ose mund të jenë vendosur ushqime të tjera në të. >>> Kjo është normale. Produkti do të kërkojë më shumë kohë për të arritur temperaturën e caktuar kur vendoset në prizë së fundi ose kur vendosen ushqime të reja.
- Sasi të mëdha ushqimesh të nxehta mund të jenë vendosur në produkt së fundi. >>> Mos vendosni ushqime të nxehta te produkti.
- Dyshemeja nuk është në nivel ose e qëndrueshme. >>> Nëse produkti tundet kur e lëvizni ngadalë, rregulloni mbështetëset për ta sjellë produktin në ekuilibër. Sigurohuni po ashtu që dyshemeja të jetë mjaft e fortë për të mbajtur produktin.
- Artikujt e vendosur në produkt mund të shkaktojnë zhurmë. >>> Hiqni artikujt e vendosur në produkt.
- Produkti bën zhurma si rrjedhje lëngjesh, spërkatje, etj.
- Parimet e funksionimit të produktit përfshijnë rrjedhjen e lëngjeve dhe të gazeve. >>> Kjo është normale dhe nuk është një defekt.
- Ka zhurmë sikur fryn erë nga produkti.
- Produkti përdor një ventilator për procesin e ftohjes. Kjo është normale dhe nuk është një defekt.
- Ka kondensim në muret e brendshme të produktit.
- Moti i nxehtë ose i lagësht do të rrisë krijimin e akullit dhe të kondensimit. Kjo është normale dhe nuk është një defekt.
- Dyert janë hapur shpesh ose janë mbajtur të hapura për periudha të gjata. >>> Mos i hapni shumë
- shpesh dyert - nëse është e hapur, mbylleni derën.
- Dera mund të jetë pak e hapur. >>> Mbylleni plotësisht derën.
- Ka kondensim në pjesën e jashtme të produktit ose midis derve.
- Moti në ambient mund të ketë lagështi, kjo është normale në një mot të lagësht. >>> Kondensimi
- do të largohet kur të ulet lagështia.
- Pjesa e brendshme ka aromë të keqe.

Zgjidhja e problemeve

Dridhje ose zhurmë.

Zgjidhja e problemeve

- Produkti nuk është pastruar rregullisht. >>> Pastroni pjesën e brendshme rregullisht me një sfungjer, ujë të ngrohtë dhe ujë me sodë.
- Disa mbajtëse dhe materiale paketimi mund të shkaktojnë aroma. >>> Përdorni mbajtëse dhe materiale paketimi pa aroma.
- Ushqimet janë vendosur në mbajtëse të paizoluara. >>> Mbajini ushqimet në mbajtëse të izoluara. Mikroorganizmat mund të përhapen nga ushqimet e paizoluara dhe të shkaktojnë aroma të këqija. Hiqni ushqimet e skaduara ose të prishura nga produkti.

Dera nuk mbyllet.

- Paketimet e ushqimeve mund të bllokojnë derën. >>> Zhvendosni artikujt që bllokojnë dyert.
- Produkti nuk qëndron drejt vertikalisht në dysheme. >>> Rregulloni mbështetëset për ekuilibrimin e produktit.
- Dyshemeja nuk është në nivel ose e qëndrueshme. >>> Sigurohuni që dyshemeja të jetë në nivel dhe mjaft e fortë për të mbajtur produktin.

Koshi i perimeve është bllokuar.

- Ushqimet mund të jenë në kontakt me pjesën e sipërme të raftit. >>> Sistemoni përsëri ushqimet në raft.

Nëse Sipërfaqja E Produktit Është E Nxehtë

- Mund të vërehen temperatura të larta midis dy derve, në panelet anësore dhe në grilën e pasme ndërsa produkti është në punë. Kjo është normale dhe nuk kërkon shërbim mirëmbajtjeje! Bëni kujdes kur prekni këto zona.



KUJDES: Nëse problemi përsëritet pasi të ndiqni udhëzimet në këtë paragraf, kontaktoni me shitësin ose me një servis të autorizuar. Mos u përpiqni ta riparoni produktin.

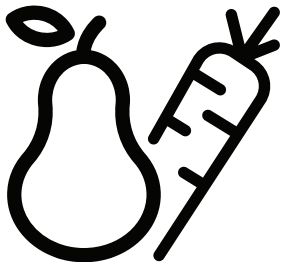


Hladnjak

Korisnički priručnik

Hladilnik

Navodila za uporabo



RCNE560E40ZXPN - RCNE560E40DSN - RCNE560E60ZXRN -
RCNE560E60ZXPN - KG560E50ZXPCHN



HR / SL /

58 5031 0000/AK

6/6

Molimo, prvo pročitajte ovaj priručni!





Poštovani korisniče,




Zahvaljujemo na odabiru ovog proizvoda. Nadamo se da ćete biti zadovoljni sjajnim rezultatima ovog proizvoda koji je proizveden primjenom visokokvalitetne i najsuvremenije tehnologije. Stoga vas molimo, pročitajte pažljivo ovaj priručnik u cijelosti kao i ostalu isporučenu dokumentaciju prije uporabe proizvoda i čuvajte ga za buduću uporabu. Ako proizvod odlučite proslijediti nekom drugom tada mu proslijedite i ovaj priručnik. Pridržavajte se svih upozorenja i informacija u korisničkom priručniku.

Upamtite kako je ovaj korisnički priručnik primjenjiv i na nekoliko drugih modela. Razlike između modela navest će se u priručniku.

Objašnjenje simbola

U korisničkom priručniku koriste se sljedeći simboli:

	Važne informacija i korisni savjeti o načinu korištenja.
	Upozorenja za situacije opasne po život i imovinu.
	Upozorenje za strujni udar.
	Ambalažni materijal proizvoda proizveden je od recikliranih materijala u skladu s nacionalnim odredbama o zaštiti okoliša.

 PODACI	
 ENERG 	Podaci o modelu pohranjeni u bazi podataka o proizvodu mogu se dobiti unosom sledeće mrežne stranice i pretragom po identifikacionom broju vašeg modela (*) koji se nalazi na oznaci potrošnje električne energije.
<small>SUPPLIER'S NAME</small> A	<small>MODEL IDENTIFIER (*)</small> A
https://eprel.ec.europa.eu/	

1 Važne upute za sigurnost i očuvanje okoliša **3**

- 1.1. Općenite informacije o sigurnosti **3**
 - 1.1.1 HCA upozorenje 5
 - 1.1.2 Za proizvode s dispencerom za vodu..... 5
- 1.2. Namjena 6
- 1.3. Sigurnost djece 6
- 1.4. Sukladnost s Direktivom o gospodarenju otpadnim električnim i elektroničkim uređajima i opremom (WEEE Directive) i odlaganjem otpada: 6
- 1.5. Sukladnost s Direktivom o ograničavanju opasnih tvari (RoHS Directive): 7
- 1.6. Informacije o pakiranju 7

2 Vaš uređaj **8**

3 Postavljanje **9**

- 3.1. Odgovarajuće mjesto za postavljanje..... 9
- 3.2. Postavljanje plastičnih klinova .. 9
- 3.3. Podešavanje nožica10
- 3.4. Električni priključak.....10

4 Priprema **11**

- 4.1. Radnje za uštedu energije..... 11
- 4.2. Početna upotreba12

5 Rukovanje uređajem **13**

- 5.1. Ploča indikatora.....13
- 5.2. premnik za led16
- 5.3. Držač za jaja16
- 5.4. Ventilator16
- 5.5. Odjeljak za povrće16
- 5.6. Odjeljak za hlađenje16
- 5.7. Pokretna polica na vratima 17
- 5.8. Klizni spremnik za pohranu 17
- 5.9. Plavo svjetlo17
- 5.10.Odjeljak za povrće s kontrolom vlage18

- 5.11.Automatski ledomat18
- 5.12.Opis i čišćenje filtra za neugodne mirise19
- 5.13.HerbBox/HerbFresh.....19
- 5.14.Uporaba raspršivača za vodu...20
- 5.15.Uporaba raspršivača za vodu...20
- 5.16.Punjenje spremnika aparata za vodu.....21
- 5.17. Čišćenje spremnika za vodu ...22
- 5.18.Podloška za kapanje.....23
- 5.19.Zamrzavanje svježije hrane24
- 5.20.Preporuke za čuvanje zamrznute hrane.....25
- 5.21.Podaci o dubokom zamrzavanju25
- 5.22.Stavljanje hrane25
- 5.23.Upozorenje o otvorenim vratima26
- 5.24.Promjena smjera otvaranja vrata26
- 5.25.Lampa za osvjetljenje26
- 5.26.Plavo svjetlo/HarvestFresh26
- 5.27.Polica za mliječne proizvode ...26 (hladnjak)26

6 Čišćenje i održavanje **27**

- 6.1. Izbjegavanje neugodnih mirisa 27
- 6.2. Zaštita plastičnih površina28
- 6.3. Stakla na vratima28

7 Rješavanje problema **29**

1 Važne upute za sigurnost i očuvanje okoliša

Ovaj odjeljak sadrži informacije o sigurnosti koje će vam pomoći zaštititi se od opasnosti od tjelesnih ozljeda i oštećenja imovine. Ne pridržavanje ovih uputa poništava sva jamstva.

Predviđena namjena

	UPOZORENJE: Ventilacijski otvori uređaja trebaju biti u kućistu ili unutar ugradbene strukture, te ne smije biti prepreka.
	UPOZORENJE: Ne koristite mehaničke uređaje ili druga sredstva za ubrzanje postupka odmrzavanja, osim onih koje je preporučio proizvođač.
	UPOZORENJE: Nemojte oštetiti sklop rashladnog sredstva.
	UPOZORENJE: Ne koristite električne uređaje unutar odjeljaka za čuvanje hrane u uređaju, osim ako nisu tip koji je preporučio proizvođač.

Ovaj uređaj namijenjen je uporabi u kućanstvu te za primjenu u prostorima poput:

- kuhinja za osoblje, u trgovinama, uredima i drugim radnim okruženjima;
- od strane gostiju u hotelima, motelima ili drugim vrstama sličnih uslužnih objekata;
- u uslužnim objektima poput pansiona.
- za cetering i slične primjene različite od maloprodaje

1.1. Općenite informacije o sigurnosti

- Djeca starija od 8 godina i ljudi sa smanjenim tjelesnim, psihičkim, senzornim i mentalnim sposobnostima, kao i neupućene ili neiskusne osobe, mogu koristiti ovaj uređaj ako su pod nadzorom i ako su upućeni u sigurnu uporabu uređaja, kao i povezane opasnosti.. Djeca se ne smiju igrati s uređajem. Čišćenje i korisničko održavanje uređaja nikada ne smiju obavljati djeca, osim kad su pod nadzorom odrasle osobe.
- Vežano za sva pitanja i probleme povezane s proizvodom posavjetujte se s ovlaštenim servisom. Nemojte sami pokušati popraviti proizvod i ne dopuštajte drugima da to čine ako niste o tome obavijestili ovlaštenu servis.
- Ako dođe do kvara tijekom rada uređaja isključite ga iz strujne utičnice.
- Ako je proizvod pokvaren ne smije se koristiti osim ako ga nije popravilo osoblje ovlaštenog servisa. Postoji opasnost od električnog udara!
- Proizvod spojite na uzemljenu utičnicu osiguranu osiguračem u skladu s vrijednostima na nazivnoj pločici. Uzemljenje treba napraviti ovlaštenu električar Naša tvrtka neće biti odgovorna za bilo kakva oštećenja koja nastanu kad se proizvod koristi bez uzemljenja u skladu s lokalnim zakonima.
- Kad ne koristite proizvod isključite ga iz strujne utičnice.

Važne upute za sigurnost i očuvanje okoliša

- Proizvod nikad ne perite prskanjem ili ulijevanjem vode u njega! Postoji opasnost od električnog udara!
- Nikad ne dirajte utikač i utičnicu mokrim rukama! Ne isključujte uređaj povlačenjem kabela, uvijek ga izvlačite tako da rukama pridrđavate utikač.
- Ne uključujte uređaj u utičnicu ako je olabavljena.
- Nikad ne spajajte proizvod na sustav za uštedu energije. Takvi sustavi mogu oštetiti proizvod.
- Isključite proizvod tijekom postavljanja, održavanja, čišćenja i popravka.
- Ne jedite sladoled i kockice leda odmah nakon što ste ih izvadili iz odjeljka zamrzivača! To može izazvati ozeblina u ustima!
- Ne dirajte rukama zamrznute namirnice! Mogu se zalijepiti za ruku!
- Ne stavljajte boce ili limenke pića u odjeljak zamrzivača. Mogu puknuti!
- Nikad ne koristite paru i materijale za čišćenje koji sadrže paru za čišćenje i odmrzavanje proizvoda. Para će izazvati kratki spoj ili struni udar, jer dolazi u kontakt s električnim dijelovima uređaja!
- Nemojte koristiti mehaničke uređaje ili druga sredstva za ubrzanje postupka odmrzavanja, osim onih koje je preporučio proizvođač.
- Nikad ne koristite dijelove uređaj poput vrata ili ladica kao potpornje ili stepenice. To može izazvati prevrtanje proizvoda ili oštećenje njegovih dijelova.
- Ne oštećujte rashladni sklop, unutar koje cirkulira rashladno sredstvo, s bušilicama ili alatom za rezanje. Rashladno sredstvo može isteći kada se plinski kanali evaporatora, produžetka cijevi ili premaza površine probuše te to može izazvati iritaciju kože i ozljede oka.
- Ne prekrivajte i ne blokirajte ventilacijske otvore proizvoda s niti jednom vrstom materijala.
- Tekućine stavite samo u uspravni položaj i dobro ih zatvorite.
- Ne koristite plinovite raspršivače u blizini proizvoda, jer postoji opasnost od požara ili eksplozije!
- Zapaljivi predmeti ili proizvodi koji sadržavaju zapaljive plinove (npr. raspršivači) te eksplozivni materijali ne smiju se nikad držati u proizvodu.
- Na vrh proizvoda ne stavljajte posude s vodom. Ako se voda prospe po električnim dijelovima to može izazvati električni udar ili požar.
- U proizvodu ne čuvajte predmete (cjepiva, lijekove osjetljive na toplinu, znanstvene materijale i sl.) koji zahtijevaju preciznu kontrolu temperature.
- Ako proizvod nećete koristiti duže vrijeme tada ga isključite iz strujne utičnice i izvadite namirnice iz njega.
- Ako je proizvod opremljen s plavim svjetlom ne gledajte u plavo svjetlo s optičkim

Važne upute za sigurnost i očuvanje okoliša

- pomagalima ili golim okom.
- Izlaganje proizvoda kiši, snijegu, suncu i vjetru je opasno u vezi sa zaštitom od električnog udara.
- Ako je proizvod opremljen s mehaničkom kontrolom (termostat) pričekajte najmanje 5 minuta prije nego što proizvod ponovo uključite nakon isključivanja iz strujne utičnice ili nakon nestanka struje.
- Prilikom prijevoza proizvoda pripazite na kabel kako se ne bi oštetio.
- Nikad ne stavljajte teške predmete na strujni kabel. Oštećeni kabel može izazvati požar.
- Ne preopterećujte proizvod. Može pasti kada se vrata otvore i izazvati ozljede ili oštećenja. Slični problemi mogu nastati ako se na vrh proizvoda stavljaju predmeti.
- Ako na vratima uređaj postoji ručka ne povlačite ručku prilikom premještanja proizvoda. Ručka se može olabaviti.
- Pripazite kako pokretni dijelovi unutar proizvoda ne bi zahvatili ruku ili druge dijelove tijela.

1.1.1 HCA upozorenje

- Ako je proizvod opremljen rashladnim sustavom koji sadrži plin R600a vodite računa i nemojte oštetiti rashladni sustav i cijevi tijekom uporabe i prijevoza. To je zapaljivi plin. Ako je rashladni sustav oštećen, proizvod držite podalje od potencijalni izvora koji mogu

izazvati zapaljivanje proizvoda i odmah dobro prozračite prostoriju u kojoj se uređaj nalazi.



Zanemarite ovo upozorenje ako je proizvod opremljen s rashladnim sustavom koji sadrži plin R134a.



Plin koji se koristi u proizvodu naveden je na pločici s tehničkim podacima smještenoj na lijevom unutrašnjem dijelu hladnjaka.



UPOZORENJE: Nikad ne bacajte proizvod u vatru.

1.1.2 Za proizvode s dispenzerom za vodu

- Tlak na ulaznom otvoru hladne vode treba biti maksimalno 90 psi (6.2 bar). Ako tlak vode premaši (5,5 bar) tada na cijevima za opskrbu vodom koristite tlačno-granični ventil. Ako ne znate kako provjeriti tlak vode tada potražite pomoć kod profesionalnog vodoinstalatera.
- Ako u instalacijama postoji opasnost od efekta vodenog udara tada u instalacijama uvijek koristite opremu za sprječavanje vodenog udara. Posavjetujte se s profesionalnim vodoinstalaterom ako niste sigurni postroji li efekt vodenog udara u instalacijama.
- Ne instalirajte na ulaznom otvoru za vruću vodu. Poduzmite mjere opreza zbog opasnosti

Važne upute za sigurnost i očuvanje okoliša

od zamrzavanja cijevi. Radni interval temperature vode treba biti minimalno 33°F (0.6°C) i maksimalno 100°F (38°C).

- Koristite samo pitku vodu.

1.2. Namjena

- Ovaj uređaj namijenjen je za:- uporabu u zatvorenim prostorima kao što su kućanstva;

- zatvorenim radnim prostorima poput trgovina i ureda;

- zatvorenim smještajnim jedinicama poput kuća, hotela, pansiona.

- Ovaj proizvod ne smije se koristiti na otvorenom.
- Ovaj proizvod mora se koristiti samo za čuvanje namirnica.
- Proizvođač ne snosi nikakvu odgovornost zbog šteta nastalih uslijed neispravne uporabe ili prijevoza.
- Originalni rezervni dijelovi bit će dostupni 10 godina od datuma kupovine proizvoda.

1.3. Sigurnost djece

- Ambalažni materijali su opasni za djecu. Držite ambalažne materijale na sigurnom mjestu izvan doseg djece.
- Električni proizvodi su opasni za djecu. Kada koristite uređaj držite djecu podalje od njega.

- Ako su vrata proizvoda opremljena s bravom, ključeve držite izvan dohvata djece.

1.4. Sukladnost s Direktivom o gospodarenju otpadnim električnim i elektroničkim uređajima i opremom (WEEE Directive) i odlaganjem otpada:



Ovaj proizvod je sukladan s Direktivom EU o gospodarenju otpadnim električnim i elektroničkim uređajima i opremom (EU WEEE Directive) (2012/19/EU). Ovaj proizvod označen je klasifikacijskim simbolom za otpadne električne i elektroničke uređaje i opremu (WEEE).

Ovaj proizvod proizveden je od visokokvalitetnih dijelova i materijala koji se mogu ponovo koristiti i koji su pogodni za recikliranje. Po završetku vijeka trajanja ne zbrinjavajte proizvod s normalnim kućanskim i drugim otpadom. Odnosite ga od sabirnog centra za recikliranje električne i elektroničke opreme. Za više informacija o sabirnim centrima molimo posavjetujte se s tijelima lokalnih vlasti.

Važne upute za sigurnost i očuvanje okoliša

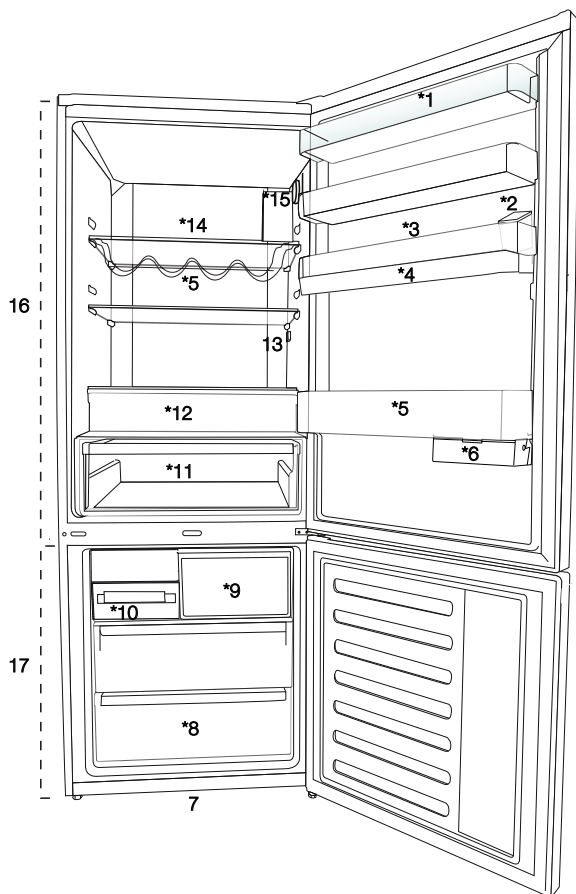
1.5. Sukladnost s Direktivom o ograničavanju opasnih tvari (RoHS Directive):

Ovaj proizvod je sukladan s Direktivom EU o ograničavanju opasnih tvari (RoHS Directive) (2011/65/EU). Proizvod ne sadrži štetne i zabranjene materijale koji su specificirani u Direktivi.

1.6. Informacije o pakiranju

- Ambalažni materijal proizvoda proizveden je od recikliranih materijala u skladu s nacionalnim odredbama o zaštiti okoliša. Ambalažni materijal ne zbrinjavajte zajedno s kućanskim i drugim otpadom. Odnosite ga u sabirne centre za ambalažni materijal određene od strane tijela lokalnih vlasti.

2 Vaš uređaj



1. Polica na vratima odjeljka hladnjaka
2. Spremnik za punjenje dispENZERA za vodu
3. Polica za jaja
4. Spremnik dispENZERA za vodu
5. Polica za boce
6. Klizna ladica
7. Podesive nožice
8. Odjeljak dubokog zamrzavanja
9. Odjeljak brzog zamrzavanja
10. Posudica za led i spremnik za led
11. Posuda za povrće
12. Polica za mliječne proizvode (hladnjak)
13. Unutarnja rasvjeta
14. Staklena polica odjeljka hladnjaka
15. Gumb podešavanja temperature
16. Odjeljak hladnjaka
17. Odjeljak zamrzivača



***opcionarno:** Ilustracije u ovom korisničkom priručniku dane su kao primjer i možda neće u potpunosti odgovarati modelu. Ako proizvod kojeg ste kupili ne sadrži određene dijelove to znači kako se ilustracija odnosi na druge modele.

3 Postavljanje

3.1. Odgovarajuće mjesto za postavljanje

Za postavljanje proizvoda obratite se ovlaštenom servisu. Da biste proizvod pripremili za upotrebu, pogledajte informacije u korisničkom priručniku i provjerite jesu li električne i vodovodne instalacije ispravne. Ako nisu, pozovite ovlaštenog električara i tehničara koji će obaviti potrebne prilagodbe.



UPOZORENJE: Proizvođač ne odgovara za oštećenja koja mogu nastati nakon postupaka koje izvedu neovlaštene osobe.



UPOZORENJE: Proizvod ne smije biti priključen na napajanje tijekom postavljanja. U suprotnom postoji opasnost od smrti ili ozbiljne ozljede!



UPOZORENJE: Ako razmak vrata u prostoriji u kojoj ćete postaviti proizvod nije toliko širok da bi proizvod mogao proći kroz njega, uklonite vrata i provucite proizvod kroz vrata tako da ga okrenete postrance; ako to ne funkcionira, pozovite ovlaštenu servis.

- Proizvod postavite na ravnu površinu poda kako biste spriječili nagle udarce.
- Postavite proizvod najmanje 30 cm od izvora topline kao što su plamenici, grijalice i štednjaci i najmanje 5 cm dalje od električnih pećnica.
- Proizvod ne smije biti izložen izravnoj sunčevoj svjetlosti i vlazi.
- Kako bi se postigao učinkovit rad, oko vašeg proizvoda mora postojati odgovarajuća ventilacija. Ako se proizvod treba postaviti u otvor u zidu, osigurajte udaljenost od najmanje 5 cm od plafona i bočnih zidova.
- Proizvod nemojte postavljati na mjesta na kojima temperatura pada ispod -5°C .

- Vaš proizvod zahtijeva adekvatnu cirkulaciju zraka da bi efikasno funkcionirao. Ako će proizvod biti smješten u niši, ne zaboravite ostaviti najmanje 5 cm razmaka između proizvoda, stropa, zida sa stražnje strane i zidova s bočnih strana.
- Ako će proizvod biti smješten u niši, ne zaboravite ostaviti najmanje 5 cm razmaka između proizvoda, stropa, zida sa stražnje strane i zidova s bočnih strana. Provjerite da li se zaštitna komponenta za razmak sa stražnje strane nalazi na predviđenom mjestu (ako je isporučena uz proizvod). Ako komponenta nije dostupna ili se izgubi ili spadne, postavite proizvod tako da između stražnje površine proizvoda i zidova prostorije bude najmanje 5 cm razmaka. Razmak sa stražnje strane važan je za učinkovit rad proizvoda.

3.2. Postavljanje plastičnih klinova

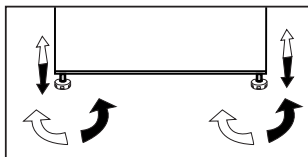
Plastični klinovi isporučeni s proizvodom upotrebljavaju se za stvaranje razmaka koji osigurava dovoljan protok zraka između proizvoda i stražnjeg zida.

1. Za postavljanje klinova uklonite vijke na proizvodu i upotrijebite vijke isporučene uz klinove.
2. Umetnite dva plastična klina u poklopac stražnje ventilacije kako je prikazano na slici.

Postavljanje

3.3. Podešavanje nožica

Ako proizvod nakon postavljanja nije uravnotežen, podesite prednje nožice tako da ih zakrenete udesno ili ulijevo.



3.4. Električni priključak



UPOZORENJE: Nemojte upotrebljavati produžne kabele ili višestruke utičnice za spajanje proizvoda na izvor napajanja.



UPOZORENJE: Oštećeni kabel napajanja mora zamijeniti ovlašteni električar.



Ako se dva hladnjaka moraju postaviti jedan do drugog, između njih treba postojati razmak od najmanje 4 cm.



Pozor: vruća površina
Bočne stijenke proizvoda opremljene su rashladnim cijevima radi poboljšanja rashladnog sustava. Rashladno sredstvo visoke temperature može prolaziti ovim dijelovima što može rezultirati vrućim površinama bočnih stijenki. To je normalno i ne zahtjeva servisiranje. Molimo, budite pažljivi kada dirate ove dijelove.

- Naša tvrtka u skladu s nacionalnim propisima nije odgovorna za bilo kakva oštećenja koja će nastati ako se proizvod upotrebljava bez uzemljenja i električnih veza.
- Utikač naponskog kabela mora biti lako dostupan nakon instalacije.
- Ne postavljajte produžne kabele ili višestruke utičnice bez kabela između proizvoda i zidne utičnice.

4.1. Radnje za uštedu energije

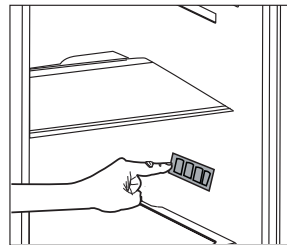


Spajanje uređaja na sustave za uštedu električne energije riskantno je jer može uzrokovati oštećenje proizvoda.

- Za samostojeći uređaj; „Ovaj rashladni uređaj nije predviđen da se koristi kao ugradni uređaj“;
- Ne ostavljajte vrata vašeg hladnjaka otvorena dulje vrijeme.
- Ne stavljajte toplu hranu ili pića u hladnjak.
- Nemojte prepuniti hladnjak, mogućnost hlađenja smanjuje se kada je otežan protok zraka unutar hladnjaka.
- Kako biste mogli pohraniti najveću moguću količinu hrane u odjeljak za zamrzavanje, potrebno je ukloniti ledomat koji se nalazi u odjeljku za zamrzavanje i koji se lako može ručno ukloniti. Vrijednosti neto volumena i potrošnje energije koje su naznačene na pločici s podacima o energiji hladnjaka izmjerene su i testirane s uklonjenim ledomatom. Nemojte uklanjati police u odjeljku zamrzivača, kao ni one na vratima odjeljka zamrzivača. Te police uvijek moraju biti u upotrebi jer omogućuju jednostavnu upotrebu i učinkovitost u potrošnji energije.
- Tok zraka ne smije se prekidati postavljanjem hrane na stranice ventilatora odjeljka zamrzivača. Potrebna je udaljenost od najmanje 3 cm na stranama zaštitnog poklopca ventilatora.
- Košare/ladice u odjeljku za hlađenje uvijek se moraju upotrebljavati za nisku potrošnju energije i za bolje uvjete pohrane.
- Kontakt hrane sa senzorom temperature u odjeljku zamrzivača može povećati potrošnju energije

uređaja. Stoga je potrebno izbjegavati bilo kakav kontakt sa senzorom (ili senzorima).

- Ovisno o značajkama proizvoda, odmrzavanje smrznute hrane u odjeljku hladnjaka uštedit će energiju te sačuvati kvalitetu hrane.



- Nemojte dopustiti da hrana dođe u kontakt s temperaturnim senzorom odjeljka hladnjaka prikazanim na slici u nastavku.
- Budući da vrući i vlažni zrak ne prodire u vaš proizvod kada vrata nisu otvorena, vaš će se proizvod optimizirati u uvjetima dostatnim za zaštitu vaše hrane. Funkcije i sastavni dijelovi kao kompresor, ventilator, grijač, odmrzivač, svjetlo, zaslon i tako dalje radit će sukladno potrebama za potrošnju minimalne energije pod ovim okolnostima

4.2. Početna upotreba

Prije upotrebe hladnjaka provjerite jesu li provedene sve pripreme u skladu s uputama u dijelovima „Uputstva za sigurnost i okoliš“ i „Postavljanje“.

- Pustite da proizvod radi 6 sati bez hrane i ne otvarajte vrata ako to nije potrebno.



Čut ćete buku kad kompresor počne raditi. Tekućine i plinovi zabrtvljeni u rashladnom sustavu također mogu stvarati buku, čak i kad kompresor ne radi i to je potpuno normalno.



Prednji krajevi proizvoda mogu biti topli na opip. To je normalno. Ova područja su napravljena da budu topla da bi se se izbjegla kondenzacija.

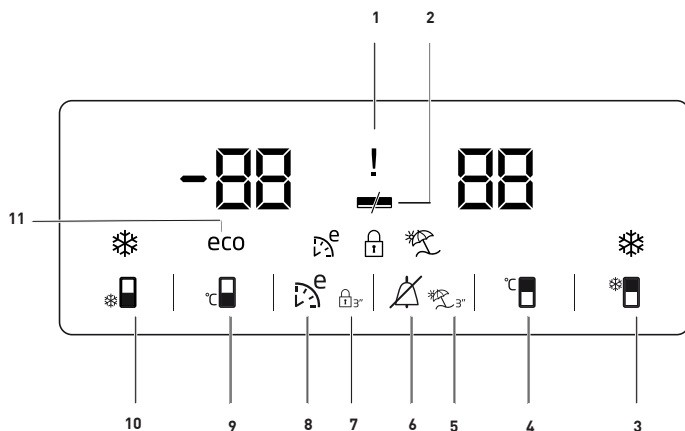


Kod nekih modela ploča s instrumentima automatski se isključuje 5 minuta nakon zatvaranja vrata. Ponovno će se uključiti kada se vrata otvore ili se pritisne bilo koja tipka.

5 Rukovanje uređajem

5.1. Ploča indikatora

Ploča indikatora omogućuje vam postavljanje temperature i upravljanje drugim funkcijama u vezi s proizvodom bez otvaranja njegovih vrata. Samo pritisnite natpise na odgovarajućim tipkama za postavke funkcija.



1. Indikator nestanka struje / visoke temperature / statusa pogreške

Ovaj indikator (!) svijetli u slučaju upozorenja na nestanak struje, visoku temperaturu i pogreške.

Kad se temperatura zamrzivača zagrije do kritične razine za smrznutu hranu, na digitalnom indikatoru trepće maksimalna vrijednost postignuta temperaturom zamrzivača.

Provjerite hranu u pretincu za zamrzavanje.

To nije kvar. Upozorenje se može izbrisati pritiskom bilo koju tipku ili tipku za isključivanje alarma visoke temperature. (Otkazivanje pritiskom na bilo koju tipku nije primjenjivo za svaki model.)

Ovaj indikator (!) svijetli i u slučaju kvara senzora. Kad ovaj indikator svijetli, na indikatoru temperature alternativno se prikazuje „E” i brojke poput „1, 2, 3...”. Ove brojke na indikatoru informiraju servisno osoblje o pogrešci.

2. Funkcija uštede energije (zaslon je isključen):

Ako su vrata uređaja zatvorena duže vrijeme, automatski se uključuje funkcija uštede energije i zasvijetli znak uštede energije. (🔌)

Kada je funkcija za uštedu energije uključena, isključit će se svi znakovi na zaslonu osim znaka za uštedu energije. Kada je funkcija za uštedu energije uključena, ako se pritisne bilo koja tipka



***Optional:** Figures in this user manual are schematic and may not match the product exactly. If the subject parts are not included in the product you have purchased, then those parts are valid for other models.

Rukovanje uređajem


ili se otvore vrata, poništiti će se funkcija za uštedu energije i znakovi na prikazu vratit će se u uobičajeno stanje.


Funkcija za uštedu energije uključuje se tijekom isporuke iz tvornice te se ne može isključiti.


3. Funkcija brzog hlađenja


Ova tipka ima dvije funkcije. Da biste aktivirali ili deaktivirali funkciju brzog hlađenja pritisnite je kratko. Indikator brzog hlađenja isključit će se i uređaj će se vratiti na normalne postavke.



 Koristite se funkcijom brzog hlađenja kada želite brzo ohladiti hranu u odjeljku hladnjaka. Ako želite ohladiti velike količine svježih hrane, preporučuje se da uključite ovu funkciju prije stavljanja hrane u hladnjak.

 Ako ga ne opozovete, brzo hlađenje će se automatski isključiti nakon 1 sata ili kada odjeljak hladnjaka dosegne potrebnu temperaturu.

 Ako više puta pritisnete tipku za brzo hlađenje u kratkim intervalima, uključit će se zaštita elektronskog sklopa i kompresor se neće odmah uključiti.

 Ova funkcija se ne poziva ponovno kad se vrati napajanje nakon kvara napajanja.



4. Tipka za postavljanje temperature odjeljka hladnjaka

Pritisnite ovu tipku da biste postavili temperaturu odjeljka hladnjaka na

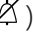
8, 7, 6, 5, 4, 3, 2, 1 i 8... Pritisnite ovu tipku da biste postavili željenu temperaturu za odjeljak hladnjaka.



5. Funkcija Odmor

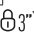
Da biste aktivirali funkciju odmora pritisnite ovu tipku () na 3 sekunde i aktivirat će se indikator načina odmora (). Kada je uključena funkcija odmora, na indikatoru temperature odjeljka hladnjaka prikazuje se „-“ i u odjeljku hladnjaka nema aktivnog hlađenja. Kada je ova funkcija uključena, odjeljak hladnjaka nije prikladan za pohranu hrane. Ostali odjeljci hladit će se prema postavljenoj temperaturi. Da biste opozvali ovu funkciju, pritisnite ponovno **tipku za funkciju odmora**.


6. Prestanak upozorenja na visoku temperaturu:

U slučaju upozorenja na nestanak struje/visoku temperaturu, možete izbrisati upozorenje () pritiskom bilo koje tipke na indikatoru ili tipke za isključivanje alarma visoke temperature 1 sekundu nakon provjere hrane u pretincu za zamrzavanje.

Napomena: Otkazivanje pritiskom bilo koje tipke nije primjenjivo za svaki model.

7. Zaključavanje tipki,

Pritisnite tipku za zaključavanje tipki () istovremeno na 3 sekunde. Znak zaključane tipkovnice


() zasvijetlit će i aktivirat će se način zaključavanja tipki. Tipke neće

Rukovanje uređajem

raditi ako je način zaključavanja tipki uključen. Pritisnite ponovno istovremeno tipku za zaključavanje tipki i držite je 3 sekunde. Znak zaključavanja tipki isključit će se i uređaj će izaći iz načina zaključavanja tipki.


Pritisnite tipku **za zaključavanje tipki** ako želite spriječiti mijenjanje postavke temperature hladnjaka ().

8. Eco-fuzzy

Pritisnite i držite tipku eco fuzzy 1 sekundu da biste uključili funkciju eco fuzzy. Hladnjak će početi raditi u najekonomičnijem načinu rada najmanje 6 sati kasnije i indikator ekonomične upotrebe uključit će se kada je funkcija aktivna (). Pritisnite i držite tipku za funkciju eco fuzzy 3 sekunde da biste isključili ovu funkciju.


Indikator će svijetliti 6 sati nakon uključivanja funkcije eco-fuzzy.

9. Tipka postavke temperature odjeljka zamrzivača

Pritisnite ovu tipku da biste postavili temperaturu odjeljka zamrzivača na -18, -19, -20, -21, -22, -23, -24 i -18... Pritisnite ovu tipku da biste postavili temperaturu odjeljka zamrzivača na željenu vrijednost. ()

10. Tipka funkcije za brzo zamrzavanje / tipka za uključivanje/isključivanje ledomata

Pritisnite ovu tipku da biste aktivirali ili deaktivirali funkciju brzog zamrzavanja. Kada uključite funkciju, odjeljak zamrzivača hladit će na

temperaturu nižu od postavljene vrijednosti. () Da biste uključili i isključili ledomat pritisnite i držite na tri sekunde.



Koristite se funkcijom brzog zamrzavanja kada želite brzo zamrznuti hranu u odjeljku hladnjaka. Ako želite zamrznuti velike količine svježe hrane, preporučuje se da uključite ovu funkciju prije stavljanja hrane u hladnjak.



Ako ga ne opozovete, brzo zamrzavanje automatski će se isključiti nakon 24 sata ili kada odjeljak hladnjaka dosegne potrebnu temperaturu.



Ova funkcija se ne poziva ponovno kad se vrati napajanje nakon kvara napajanja.

11. Oznaka ekonomične uporabe

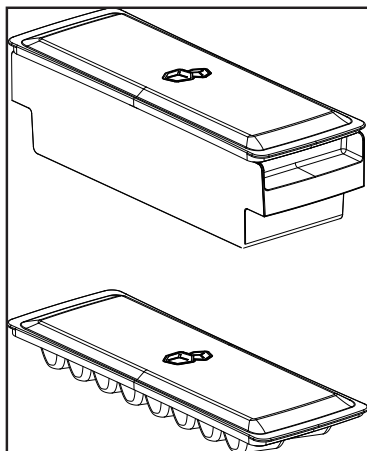
Označava da proizvod radi u energetski učinkovitim načinu rada. (**eco**) Ovaj indikator bit će uključen ako je temperatura odjeljka zamrzivača postavljena na -18 ili se zbog funkcije Eco-Extra obavlja energetski učinkovito hlađenje.



Indikator ekonomične upotrebe isključuje se kada se odabere funkcija brzog hlađenja ili brzog zamrzavanja.

5.2. spremnik za led

- Uklonite spremnik za led iz odjeljka zamrzavanja.
- Ispunite spremnik za led vodom.
- Postavite spremnik za led u odjeljak zamrzavanja. Led je spreman nakon dva sata.
- Uklonite spremnik za led iz odjeljka zamrzavanja i postavite ga preko posude za serviranje. Kockice leda jednostavno će pasti u posudu za serviranje.



5.3. Držać za jaja

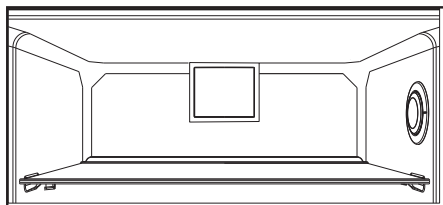
Možete instalirati držać za jaja na željenu policu vrata ili kućišta. U slučaju postavljanja na policu kućišta, preporučuju se donje hladnije police.



Nikada ne držite držać za jaja u odjeljku zamrzivača

5.4. Ventilator

Ventilator je napravljen da bi se osigurala homogena distribucija i protok hladnog zraka u vašem hladnjaku. Vrijeme rada ventilatora može se razlikovati ovisno o značajkama proizvoda. Iako ventilator radi samo s kompresorom kod nekih proizvoda, kontrolni sustav određuje vrijeme rada kod nekih proizvoda u skladu sa zahtjevima hlađenja.



5.5. Odjeljak za povrće

Odjeljak za povrće vašeg hladnjaka napravljen je posebno tako da vaše povrće održava svježim, a da ne izgubi svoju vlagu. U tu svrhu se protok zraka vrši oko odjeljka za povrće općenito.

5.6. Odjeljak za hlađenje

(Ova je funkcija neobavezna)

Koristite se ovim odjeljkom da biste pohranili delikatese koje je potrebno pohraniti na nižim temperaturama ili mesne proizvode koje ćete konzumirati u kratkom roku.

Odjeljak za hlađenje najhladnije je mjesto u hladnjaku gdje možete držati mliječne proizvode, meso, ribu i perad u idealnim uvjetima pohrane. U ovom se odjeljku ne smije pohranjivati voće i povrće.

Rukovanje uređajem

5.7. Pokretna polica na vratima

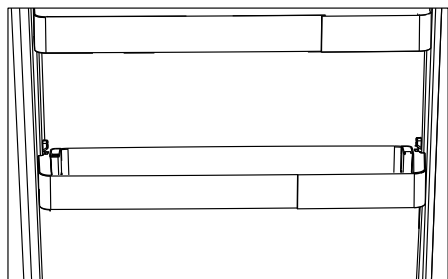
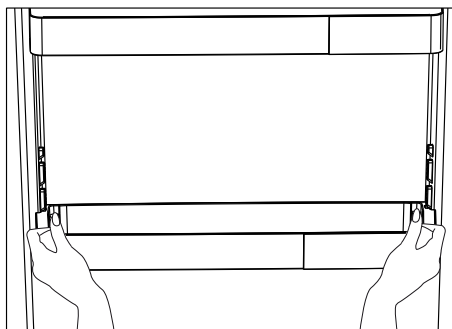
(Ova je funkcija neobavezna)

Pokretna polica na vratima može se fiksirati na 3 različita položaja.

Istom jačinom pritisnite tipke prikazane postrance da biste pomaknuli policu. Polica će se moći pomaknuti.

Pomaknite policu prema gore ili prema dolje.

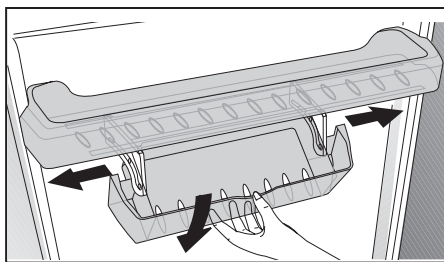
Kada polica dođe u željeni položaj, otpustite tipke. Polica će se fiksirati na položaju na kojem ste otpustili tipke.



5.8. Klizni spremnik za pohranu

(Ova je funkcija neobavezna)

Ovaj dodatak je napravljen da bi se povećao korisni volumen polica vrata. On omogućava lako postavljanje visokih boca, staklenki i konzervi na donju policu za boce zahvaljujući mogućnosti pomicanja ulijevo ili udesno.



5.9. Plavo svjetlo

(Ova je funkcija neobavezna)

Ovaj dodatak je napravljen da bi se povećao korisni volumen polica vrata. On omogućava lako postavljanje visokih boca, staklenki i konzervi na donju policu za boce zahvaljujući mogućnosti pomicanja ulijevo ili udesno.

Rukovanje uređajem

5.10. Odjeljak za povrće s kontrolom vlage

(Polica za svježinu)

(Ova je funkcija neobavezna)

S pomoću značajke odjeljka za povrće s kontrolom vlage razina vlage voća i povrća održava se pod kontrolom i osigurava se da hrana dulje ostane svježja.

Preporučujemo da listnato povrće poput zelene salate, špinata i povrća koje je osjetljivo na gubitak vlage postavite koliko god je više moguće u vodoravan položaj unutar odjeljka, kako njihovo korijenje ne bi bilo u okomitom položaju.

Prilikom postavljanja povrća, potrebno je uzeti u obzir specifičnu gravitaciju povrća. Teško i tvrdo povrće potrebno je postaviti na dno odjeljka, a lagano i meko povrće na vrh.

Povrće unutar odjeljka nikada nemojte ostaviti u njihovim vrećicama. Ako povrće ostavite u vrećicama, brže će istrunuti. U slučaju da se iz higijenskih razloga ne preporučuje kontakt s drugim povrćem, koristite se perforiranim papirom ili drugim sličnim materijalom za pakiranje umjesto vrećicom.

Kruške, marelice, breskve itd., a posebno jabuke koje imaju veliku razinu stvaranja etilena, nemojte stavljati u isti odjeljak s drugim voćem i povrćem. Etilen koji ovo voće stvara može uzrokovati brže dozrijevanje i truljenje ostalog voća.

5.11. Automatski ledomat

(Ova je funkcija neobavezna)

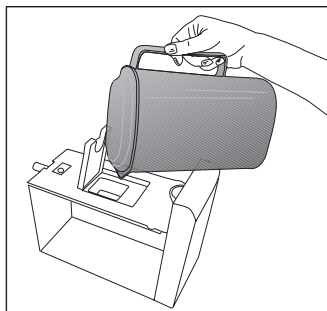
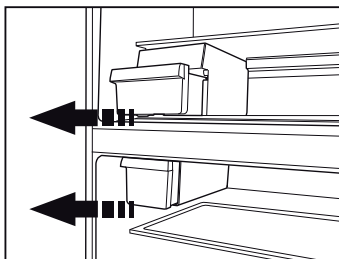
Automatski ledomat omogućuje vam jednostavnu izradu leda u hladnjaku. Izvadite spremnik za vodu u odjeljku hladnjaka, napunite ga vodom i vratite nazad da biste iz ledomata dobili led. Prve kockice leda će biti spremne za otprilike 2 sata u ladici ledomata koja se nalazi u odjeljku hladnjaka.

Ako koristite cijeli spremnik za vodu, moći ćete dobiti otprilike 60-70 kockica leda.

Promijenite vodu u spremniku ako je stajala oko 2-3 tjedna.



Za proizvode koji imaju automatski ledomat, tijekom izrade leda možda će se čuti zvukovi. To je normalno i ne znači da postoji pogreška.



Rukovanje uređajem

5.12. Opis i čišćenje filtra za neugodne mirise

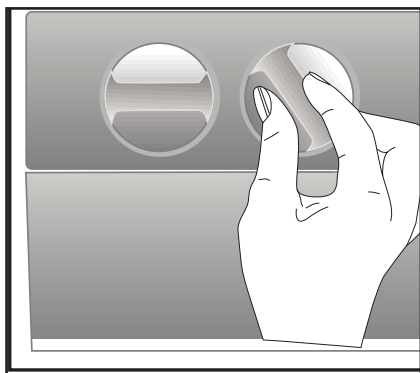
(Ova je funkcija neobavezna)

Filtar za neugodne mirise sprečava nakupljanje neugodnih mirisa u proizvodu.

1. Povucite poklopac u koji je montiran filtari za neugodne mirise prema dolje s obzirom na prednji dio i uklonite ga kako je prikazano.
2. Ostavite filtari pod sunčevom svjetlošću jedan dan. Filtari će se za to vrijeme očistiti.
3. Postavite filtari nazad na mjesto.



Filtari za neugodne mirise se mora čistiti jednom godišnje.



5.13. HerbBox/HerbFresh

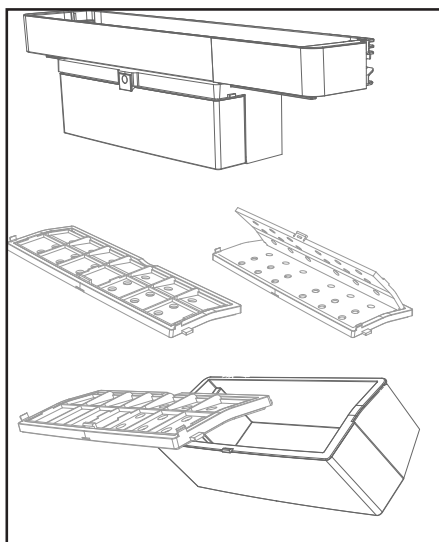
Uklonite prozirni spremnik s dijela HerbBox/HerbFresh+

Izvadite foliju iz vrećice i stavite je na prozirni spremnik na način prikazan na slici.

Ponovno zatvorite spremnik i vratite ga na mjesto u dijelu namijenjenom za HerbBox/HerbFresh+.

Dio HerbBox/HerbFresh+ posebno je namijenjen za čuvanje različitih začinske biljke koje se trebaju čuvati u posebnim uvjetima. Začinske biljke koje ne čuvate u vrećicama (peršin, kopar, itd.) možete čuvati u vodoravnom položaju u ovom dijelu i dugo vremena ih održati svježima.

Film će se zamijeniti svakih šest mjeseci.



5.14. Uporaba raspršivača za vodu

***neobavezno**



Normalno je da će prvih nekoliko čaša vode uzetih s raspršivača biti toplo.

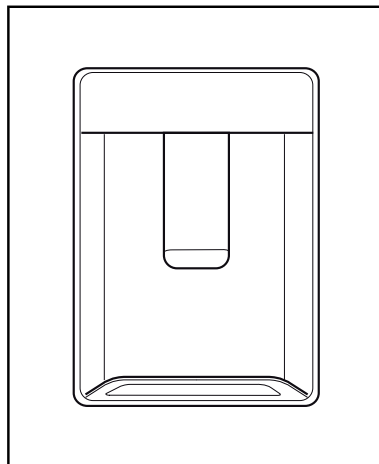


Ako se aparat za vodu ne upotrebljava duže vrijeme, prolijte prvih nekoliko čaša vode da biste dobili čistu vodu.

1. Gurnite prema unutra polugu spremnika za vodu pomoću vaše čaše. Ako upotrebljavate mekanu plastičnu čašu, bit će jednostavnije gurnuti polugu rukom.
2. Kada se čaša napuni do razine koju želite, otpustite polugu.



Imajte na umu da koliko vode teče iz spremnika ovisi o tome koliko duboko pritisnete polugu. Kako razina vode u vašoj šalici/čaši raste, polako smanjite pritisak na polugu da biste spriječili prelijevanje. Ako lagano pritisnete ručicu, voda će kapati; to je normalno i nije kvar.



5.15. Uporaba raspršivača za vodu

***neobavezno**

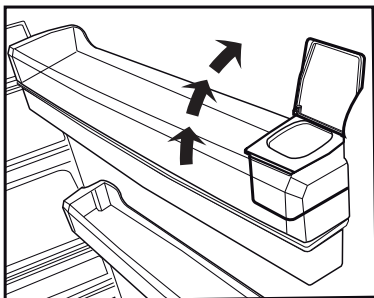
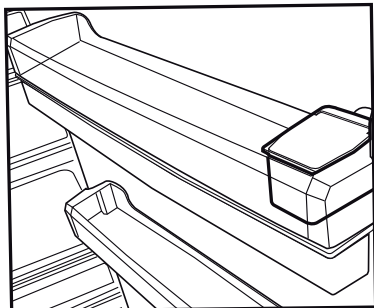


Normalno je da će prvih nekoliko čaša vode uzetih s raspršivača biti toplo.



Ako se aparat za vodu ne upotrebljava duže vrijeme, prolijte prvih nekoliko čaša vode da biste dobili čistu vodu.

1. Gurnite prema unutra polugu spremnika za vodu pomoću vaše čaše. Ako upotrebljavate mekanu plastičnu čašu, bit će jednostavnije gurnuti polugu rukom.
2. Kada se čaša napuni do razine koju želite, otpustite polugu.



Imajte na umu da koliko vode teče iz spremnika ovisi o tome koliko duboko pritisnete polugu. Kako razina vode u vašoj šalici/ čaši raste, polako smanjujte pritisak na polugu da biste spriječili prelijevanje. Ako lagano pritisnete ručicu, voda će kapati; to je normalno i nije kvar.

5.16. Punjenje spremnika aparata za vodu

Spremnik za vodu se nalazi unutar police vrata.

1. Otvorite poklopac spremnika.
2. Napunite spremnik svježom pitkom vodom.
3. Zatvorite čep.



Nemojte puniti spremnik bilo kojom tekućinom osim vode, kao što su voćni sokovi, gazirana pića ili alkoholna pića koja nisu podesna za uporabu s pipom za vodu. Pipa za vodu će se pokvariti do nepopravljivosti ako se koriste te vrste tekućina. Jamstvo ne pokriva takvu uporabu. Neke kemijske tvari i aditivi koji su sadržani u toj vrsti pića/tekućina mogu oštetiti materijal spremnika za vodu.



Upotrebljavajte samo čistu pitku vodu.

Rukovanje uređajem



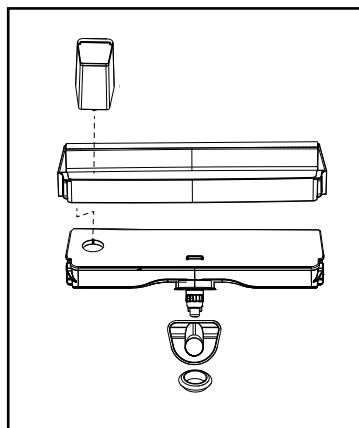
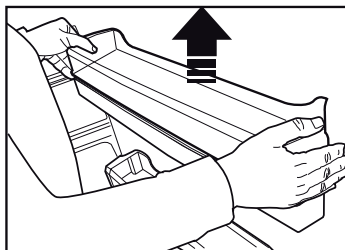
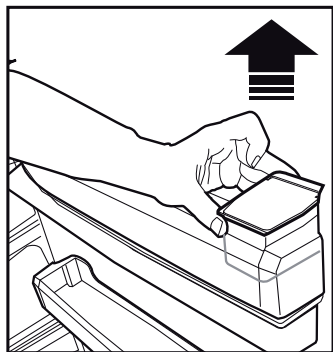
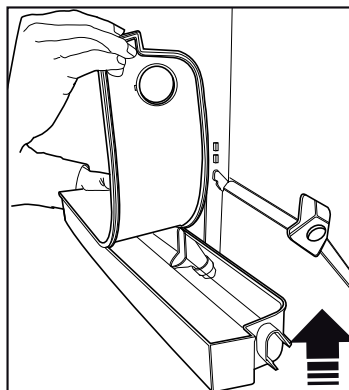
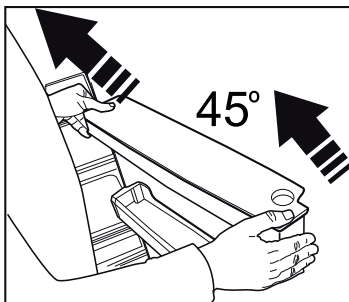
Kapacitet spremnika za vodu je 3 litre; nemojte prepuniti.

5.17. Čišćenje spremnika za vodu

1. Izvadite spremnik za vodu unutar police vrata.
2. Uklonite policu na vratima tako da je držite s obje strane.
3. Uхватите spremnik za vodu s obje strane i uklonite ga s kutom od 45°C.
4. Otvorite poklopac spremnika za vodu i očistite spremnik.



Dijelovi spremnika za vodu i pipe za vodu se ne smiju prati u perilici.

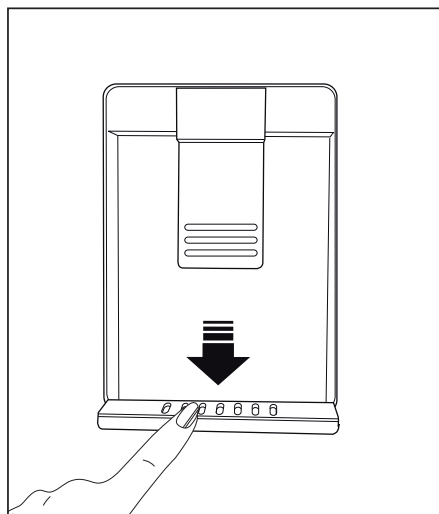


5.18. Podloška za kapanje

Voda koja kapa tijekom uporabe pipe za vodu se sakuplja u podloški.

Izvadite plastični filtar kako je prikazano na slici.

Uklonite nakupljenu vodu čistom i suhom krpom.



Rukovanje uređajem

5.19. Zamrzavanje svježe hrane

- Kako bi se sačuvala kvaliteta hrane, hrana će se zamrznuti što je brže moguće nakon stavljanja u hladnjak; u tu svrhu upotrebite funkciju brzog zamrzavanja.
- Ako hranu zamrznete dok je svježija, možete je dulje pohraniti u odjeljku za zamrzavanje.
- Zapakirajte hranu za zamrzavanje i zatvorite pakiranje tako da onemogućite ulazak zraka.
- Prije stavljanja hrane u zamrzivač, obavezno je zapakirajte. Umjesto tradicionalnog papira, upotrebite spremnike za zamrzivač, folije i papire otporne na vlagu, plastične vrećice i ostalu ambalažu.
- Na svakom pakiranju hrane naznačite datum prije zamrzavanja. Na taj ćete način moći razlikovati svježinu pojedinih paketa hrane svaki put kada otvorite zamrzivač. Hranu koja je ranije zamrznuta postavite u prednji dio zamrzivača da biste je mogli prvu iskoristiti.



Pretinac za zamrzavanje automatski odmrzava.

- Smrznutom se hranom koristite odmah nakon odmrzavanja, ona se ne smije ponovno zamrzavati.
- Nemojte zamrzavati prevelike količine istodobno.

Postavka odjeljka zamrzivača	Postavka odjeljka hladnjaka	Napomene
-18 °C	4 °C	To je normalna preporučena postavka.
- 20, - 22 ili -24°C	4 °C	Ove postavke su preporučene kad sobna temperatura prelazi 30°C.
Brzo zamrzavanje	4 °C	Koristite kad želite zamrznuti svoju hranu u kratkom vremenu. Vaš će se proizvod vratiti u prethodni način rada kad postupak bude gotov.
-18 °C ili hladnije	2 °C	Upotrebite ovu postavku ako mislite da odjeljak nije dovoljno hladan zbog tople okoline ili čestog otvaranja i zatvaranja vrata.

5.20. Preporuke za čuvanje zamrznute hrane

Odjeljak se mora postaviti na najmanje -18 °C.

1. Pakiranja stavite u zamrzivač što prije nakon kupnje, prije nego što se odmrznu.
2. Provjerite je li rok upotrebe istekao.
3. Provjerite da ambalaža hrane nije oštećena.

5.21. Podaci o dubokom zamrzavanju

Prema normi IEC 62552, proizvod zamrzava najmanje 4,5 kg hrane na sobnoj temperaturi od 25 °C do -18 °C ili niže unutar 24 sata za svakih 100 litara mase u zamrzivaču.

Moguće je hranu sačuvati na duže vrijeme samo na temperaturi od -18 °C ili nižoj.

Mjesecima možete održavati hranu svježom (pri temperaturi od -18 °C ili nižoj u dubokom zamrzavanju).

Hrana za zamrzavanje ne smije doći u dodir s prethodno smrznutom hranom kako bi se spriječilo djelomično odmrzavanje.

Skuhajte povrće i iscijedite njihovu vodu ako povrće zamrzavate na dulje vrijeme. Nakon što iscijedite vodu, stavite ga u vakumiranu ambalažu i zatim u zamrzivač. Hrana poput banana, rajčica, zelene salate, celera, kuhanih jaja, krumpira nije prikladna za zamrzavanje. Zamrzavanje takve hrane negativno će utjecati na njihovu hranjivu vrijednost i okus. Hrana ne smije biti pokvarena kako ne bi uzrokovala rizik za ljudsko zdravlje.

5.22. Stavljanje hrane

Police odjeljka zamrzivača	Različita zamrznuta hrana kao što je meso, riba, sladoled, povrće itd.
Police odjeljka hladnjaka	Hrana u loncima, pokrivenim tanjurima i zatvorenim posudama, jaja (u zatvorenom pakiranju)
Police vrata odjeljka hladnjaka	Mala i zapakirana hrana ili pića
Odjeljak za povrće	Povrće i voće
Odjeljak za svježu hranu	Delikatese (hrana za doručak, mesni proizvodi koji se brzo konzumiraju)

Rukovanje uređajem

5.23. Upozorenje o otvorenim vratima

(Ova je funkcija neobavezna)

Upozorenje o otvorenim vratima korisniku se pruža vizualno i zvučno. Ako upozorenje potraje 10 minuta, unutrašnja će se svjetla isključiti.

5.24. Promjena smjera otvaranja vrata

Smjer otvaranja vrata može se promijeniti u skladu s mjestom na kojem ćete ga upotrebljavati. Ako je potrebno, obratite se najbližem ovlaštenom servisu.

Gornji je opis općenit. Za informacije o promjeni smjera otvaranja vrata pogledajte naljepnicu upozorenja na unutrašnjoj strani vrata.

5.25. Lampa za osvjetljenje

Za osvjetljenje se upotrebljavaju LED lampe. U slučaju bilo kakvih problema, obratite se ovlaštenom servisu. Žaruljica (ili žaruljice) u ovom uređaju nije prikladna za osvjetljivanje prostorija kućanstva. Namjena ove žaruljice jest pomoći korisniku da namirnice stavi u hladnjak/zamrzivač na siguran i ugodan način.

5.26. Plavo svjetlo/ HarvestFresh

*Možda nije dostupno kod svih modela

Za plavo svjetlo,

Voće i povrće pohranjeno u odjeljcima za voće i povrće osvjetljenim plavim svjetlom nastavlja da vrši fotosintezu pomoću efekta valnih duljina plave svjetlosti i na taj način sadržaj vitamina u njima ostaje sačuvan.

Za HarvestFresh,

Voće i povrće pohranjeno u odjeljcima za voće i povrće osvjetljenim tehnologijom HarvestFresh duže će održati vitamine u sebi zahvaljujući plavim, zelenim, crvenim svjetlima i ciklusima mraka, koji simuliraju dnevni ciklus. Ako otvorite vrata hladnjaka tokom perioda mraka HarvestFresh tehnologije, hladnjak će to automatski otkriti i omogućiti da plavo-zeleno ili crveno svjetlo osvjetle odjeljke za voće i povrće, radi vaše ugodnosti. Nakon što zatvorite vrata hladnjaka, period mraka će se nastaviti, predstavljajući period noći tokom dnevnog ciklusa.

5.27. Polica za mliječne proizvode

(hladnjak)

- osigurava nisku temperaturu unutar odjeljka hladnjaka Ovu policu koristite za čuvanje delikatesa (salama, kobasica, mliječnih proizvoda i sl.) koje zahtijevaju nižu temperaturu čuvanja ili za čuvanje proizvoda od mesa, piletine ili ribe koji će se odmah konzumirati. Na ovoj polici ne čuvajte voće i povrće.

Radni vijek proizvoda se produžuje te se smanjuje broj učestalih problema ako ga se čisti u redovitim vremenskim razmacima.



UPOZORENJE: Prije čišćenja isključite uređaj iz strujne utičnice.

- Nikad za čišćenje ne koristite benzin, benzen ili slične tvari.
- Za čišćenje nikad ne koristite oštre i abrazivne alate, sapun, sredstva za čišćenje kućanstva, deterdžente i vosak za poliranje.
- Rastopite jednu čajnu žličicu sode bikarbone u pola litre vode. Umočite krpu u tu otopinu i dobro je iscijedite. S njom pobrišite unutarnji dio uređaja i dobro ga osušite.
- Pripazite da voda ne uđe u kućište žaruljice i druge električne dijelove.
- Ako uređaj nećete koristiti duže vremena, isključite ga iz strujne utičnice, izvadite namirnice iz njega, očistite ga i ostavite vrata odškrinuta.
- Redovito provjeravajte čistoću gume na vratima. Ako nije čista očistite je.
- Za skidanje vrata i polica unutar hladnjaka prvo izvadite njihov sadržaj. Police na vratima uklonite povlačenjem. Nakon čišćenja, vratite ih na mjesto počevši od vrha prema dnu.
- Nikad ne koristite sredstva za čišćenje koja sadrže klor za čišćenje unutarnjeg dijela hladnjaka i njegovih kromiranih dijelova. Klor može izazvati koroziju na metalnim površinama.

6.1. Izbjegavanje neugodnih mirisa

Materijali koji mogu stvoriti mirise ne koriste se u proizvodnji naših proizvoda. Međutim, zbog neispravnih uvjeta čuvanja namirnica i ako se unutarnji dio uređaja ne čisti kako treba to može izazvati probleme s mirisima. Pripazite na sljedeće i izbjegnite ovaj problem:

- Važno je održavati uređaj čistim. Ostaci namirnica, mrlje i sl. mogu izazvati stvaranje mirisa. Stoga, čistite hladnjak sa sodom bikarbonom rastopljenom u vodi svakih 15 dana. Nikad ne koristite deterdžente ili sapun.
- Držite namirnice u zatvorenim posudama. Mikroorganizmi koji se šire iz nezatvorenih posuda mogu izazvati stvaranje neugodnih mirisa.
- U hladnjaku nikad ne držite namirnice kojima je istekao rok trajanja, jer se mogu pokvariti.

6.2. Zaštita plastičnih površina

U hladnjak nikad ne stavljajte tekuća ulja/masti ili jela kuhana na ulju/masti u nezatvorenim posudama jer mogu oštetiti njegove plastične površine. Ako se ulje/mast prolije ili razmaže po plastičnim površinama, odmah očistite i dobro isperite taj dio površine s toplom vodom.

6.3. Stakla na vratima

Uklonite zaštitnu foliju na staklima. Na površini stakla je premaz. Ovaj premaz smanjuje nakupljanje mrlja i pridonosi lakšem uklanjanju mogućih mrlja i prljavštine. Stakla koja nisu zaštićena takvim premazom mogu biti izložena konstantnom vezivanju organske ili anorganske prljavštine zasnovane na zraku ili vodi, kao što su kamenac, mineralne soli, neizgoreni ugljikohidrati, oksidi metala i silikoni koji mogu lako i brzo uzrokovati mrlje ili materijalna oštećenja. Održavanje stakla čistim postaje preteško unatoč redovitom čišćenju. Zbog toga propada izgled i prozirnost stakla. Oštri i korozivni načini čišćenja i spojevi će pojačati te nedostatke i ubrzati postupak propadanja.

Za redovito čišćenje se trebaju koristiti proizvodi za čišćenje zasnovani na vodi koji nisu alkalni i korozivni.

Za čišćenje se moraju koristiti nealkalni i nekorozivni materijali, tako da vijek trajanja ovog premaza traje dugo.

Ova stakla su temperirana da bi se povećala trajnost od udaraca i loma. sigurnosni premaz se također primjenjuje na stražnje površine kao dodatna sigurnosna mjera da bi se spriječilo oštećenje okoline u slučaju loma.

* Alkali su lužine koje tvore ionske hidrokside (OH^-) kad se otope u vodi. Li (litij), Na (natrij), K (kalij) Rb (rubidij), Cs (cezij) i umjetni i radioaktivni Fr (fancij) metali se zovu ALKALNI METALI.

7 Rješavanje problema

Molimo, pogledajte ovaj popis prije upućivanja poziva ovlaštenom servisu. To vam može uštedjeti vrijeme i novac. Ovaj popis uključuje česte problema koji nisu nastali zbog neispravnog rada ili kvara hladnjaka. Neke od opisanih funkcija možda ne postoje kod vašeg modela hladnjaka.

Uređaj ne radi.

- Utikač nije ispravno umetnut u utičnicu. >>> **Ispravno umetnite utikač u utičnicu.**
- Pregorio je osigurač utičnice u koju je uključen hladnjak ili je pregorio glavni osigurač. >>> **Provjerite osigurač.**

Vlaga na bočnim stjenkama odjeljka hladnjaka (MULTIZONA, UPRAVLJANJE RASHLAĐIVANJEM I FLEKSI ZONA).

- Temperatura okruženja je jako niska. >>> **Ne postavljajte hladnjak u prostorije gdje temperatura pada ispod 10 .**
- Vrata se često otvaraju. >>> **Ne otvarajte i ne zatvarajte učestalo vrata hladnjaka.**
- Okruženje je jako vlažno. >>> **Ne postavljajte hladnjak u prostorije s velikom vlagom.**
- Namirnice koje sadrže tekućinu čuvaju se u otvorenim posudama. >>> **Namirnice koje sadrže tekućinu čuvajte u zatvorenim posudama.**
- Vrata su odškrinuta. >>> **Ne ostavljajte vrata hladnjaka otvorena dugo vremena.**
- Termostat je podešen na jako hladnu razinu. >>> **Podesite termostat na odgovarajuću razinu.**

Kompresor ne radi

- Zaštitni termički osigurač kompresora će se blokirati tijekom iznenadnog nestanka struje ili isključivanja i uključivanja strujnog utikača jer tlak rashladnog sredstva u rashladnom sustavu uređaja nije bio balansiran. Uređaj će početi s radom nakon približno 6 minuta. Molimo, nazovite osoblje ovlaštenog servisa ako uređaj ne počne s radom nakon tog vremena.
- Hladnjak je u ciklusu odmrzavanja. >>> **To je normalno za hladnjake s automatskih odmrzavanjem. Ciklus odmrzavanja odvijaju se periodično.**
- Uređaj nije uključen u strujnu utičnicu. >>> **Provjerite je li strujni utikač dobro priključen na utičnicu.**
- Postavke temperature nisu dobro podešene. >>> **Odaberite odgovarajuću vrijednost temperature.**
- Došlo je do nestanka struje. >>> **Kada se el. energije ponovo uspostavi uređaj počinje normalno raditi.**

Zvuk koji uređaj proizvodi pojačava se kada uređaj radi.

- Radne performanse uređaja mogu se mijenjati uslijed promjena u temperaturi okruženja. To je normalno i ne predstavlja kvar.

Uređaj radi često ili dugo vremena.

Rješavanje problema

- Novi proizvod je možda širi od prijašnjeg. Veći uređaji rade dulje vremena.
- Sobna temperatura je možda previsoka. >>> **Normalno je da proizvod radi dulje vrijeme u toplom okruženju.**
- Uređaj je možda tek nedavno uključen u struju utičnicu ili u njemu ima mnogo namirnica. >>> **Kada je hladnjak nedavno uključen u strujnu utičnicu ili ako u njemu ima mnogo namirnica tada će mu trebati dulje vremena za postizanje podešene temperature. To je normalno.**
- Možda su nedavno u hladnjak stavljene vruće namirnice. >>> **Ne stavljajte u hladnjak vruće namirnice.**
- Vrata se možda učestalo otvaraju ili su ostavljena odškrinuta duže vrijeme. >>> **Topli zrak koji je ušao u hladnjak utječe na dulji rad hladnjaka. Ne otvarajte često vrata hladnjaka.**
- Možda su vrata odjeljka zamrzivača ili hladnjaka ostavljena odškrinuta. >>> **Provjerite jesu li vrata dobro zatvorena.**
- Uređaj je podešen na vrlo nisku temperaturu. >>> **Podesite temperaturu hladnjaka na viši stupanj i pričekajte dok se temperatura ne postigne.**
- Brtva na vratima hladnjaka ili zamrzivača je prljava, istrošena, potrgana ili nepravilno stavljena. >>> **Očistite i zamijenite brtvu. Oštećena/pokidana brtva (guma) na vratima uređaja utječe na produljenje vremena rada uređaja radi održavanja podešene temperature.**

Temperatura zamrzivača je jako niska dok je temperatura hladnjaka dobra.

- Temperatura zamrzivača je podešena na vrlo nisku vrijednost. >>> **Podesite temperaturu zamrzivača na veću vrijednost i provjerite.**

Temperatura hladnjaka je jako niska dok je temperatura zamrzivača

- Temperatura hladnjaka je podešena na vrlo nisku vrijednost. >>> **Podesite temperaturu hladnjaka na veću vrijednost i provjerite.**

Namirnice koje se čuvaju u ladicama odjeljka hladnjaka su zamrznute.

- Temperatura hladnjaka je podešena na vrlo visoku vrijednost. >>> **Podesite temperaturu hladnjaka na nižu vrijednost i provjerite.**

Temperatura hladnjaka ili zamrzivača je jako visoka.

- Temperatura hladnjaka je podešena na vrlo visoku vrijednost. >>> **Postavke temperature odjeljka hladnjaka utječu na temperaturu zamrzivača. Promijenite temperaturu hladnjaka ili zamrzivača i pričekajte dok odgovarajući odjeljci ne postignu željenu temperaturu.**
- Vrata se učestalo otvaraju ili su ostavljena odškrinuta duže vrijeme. >>> **Ne otvarajte često vrata.**
- Vrata su odškrinuta. >>> **Dobro zatvorite vrata.**
- Uređaj je možda tek nedavno uključen u struju utičnicu ili u njemu ima mnogo namirnica. >>> **To je normalno. Kada je uređaj nedavno uključen u strujnu utičnicu ili ako u njemu ima mnogo namirnica tada će mu trebati dulje vremena za postizanje podešene temperature.**
- Možda su nedavno u hladnjak stavljene vruće namirnice. >>> **Ne stavljajte u hladnjak vruće namirnice.**

Vibracija ili buka.

Rješavanje problema

- Pod nije ravan ili stabilan. >>> Ako se proizvod klima kada se lagano dodirne uravnotežite ga podešavanjem nožica. Također, vodite računa o tome da je pod dovoljno čvrst i ravan da može izdržati težinu proizvoda.
- Predmeti koji se stave na hladnjak mogu izazvati buku. >>> Uklonite predmete s hladnjaka.

Iz uređaja se čuju zvukovi poput protoka tekućine, prskanja, itd.

- Protok tekućina i plinova odvija se u skladu s radim principima proizvoda. >>> To je normalno i ne predstavlja kvar.

Iz uređaja se čuje zvuk sličan puhanu vjetra.

- Ventilatori se koriste za hlađenje uređaja. To je normalno i ne predstavlja kvar.

Kondenzacija na unutarnjim stjenkama uređaja.

- Vruće i vlažno vrijeme povećava stvaranje leda i vlage. To je normalno i ne predstavlja kvar.
- Vrata se učestalo otvaraju ili su ostavljena odškrinuta duže vrijeme. >>> Ne otvarajte često vrata, zatvorite ih ako su otvorena.
- Vrata su odškrinuta. >>> Dobro zatvorite vrata.

Vlaga nastaje na vanjskim stjenkama uređaja ili između vrata.

- Možda je zrak vlažan; to je normalno ako je vrijeme sparno. >>> Kad u zraku ima manje vlage, kondenzacija nestaje.

Neugodan miris u hladnjaku.

- Hladnjak se ne čisti redovito. >>> Redovito čistite unutarnji dio uređaja sa spužvom, mlakom vodom i sodom bikarbonom rastopljenom u vodi.
- Neke posude ili materijali za pakiranje mogu stvoriti neugodni miris. >>> Koristite posude ili materijal za pakiranje različitih proizvođača.
- Namirnice se čuvaju u otvorenim posudama. >>> Držite namirnice u zatvorenim posudama. Mikroorganizmi koji se šire iz nezatvorenih posuda mogu izazvati stvaranje neugodnih mirisa.
- Iz hladnjaka uklonite namirnice kojima je istekao rok trajanja, jer se mogu pokvariti.

Vrata se ne zatvaraju.

- Ambalaža u kojoj su namirnice sprječava zatvaranje vrata. >>> Premjestite ambalažu koja sprječava zatvaranje vrata.
- Hladnjak ne stoji ravno na podu. >>> Podesite nožice i uravnotežite uređaj.
- Pod nije ravan ili čvrst. >>> Također, vodite računa o tome da je pod dovoljno čvrst i ravan da može izdržati težinu proizvoda.

Posude za povrće su se zaglavile.

- Namirnice dotiču vrh ladice. >>> Razmjestite namirnice u ladici.



UPOZORENJE: Ako se problem ne može riješiti unatoč tome što ste se pridržavali uputa u ovom odjeljku posavjetujte se s trgovcem ili osobljem ovlaštenog servisa. Ne pokušavajte sami popraviti neispravan proizvod.

ODRICANJE OD ODGOVORNOSTI / UPOZORENJE

Neke (jednostavne) kvarove može riješiti sam krajnji korisnik bez ikakvih sigurnosnih problema ili opasnosti koje mogu iskrsnuti uz uvjet da je to obavljeno u granicama i u skladu sa sljedećim uputama (pogledajte dio „Samopomoć“).

Stoga, osim ako nije drukčije određeno u donjem dijelu „Samopomoći“ popravke trebaju obaviti registrirani stručni servisi kako bi se izbjegli problemi sa sigurnosti. Registrirani stručni servis je stručni servis kojem je proizvođač odobrio pristup uputama i popisu rezervnih dijelova za ovaj proizvod u skladu s metodama opisanim u zakonskim aktima u skladu s Direktivom 2009/125/EC.

Međutim, samo servisni zastupnik (tj. ovlašteni stručni servisi) kojeg možete kontaktirati na telefonski broj naveden u korisničkom priručniku/jamstvenom listu ili ovlašteni zastupnik mogu obaviti servis u skladu s uvjetima jamstva. Stoga, upozoravamo vas kako će popravci koje su obavili stručni servisi (koje nije ovlastila tvrtka Beko) poništiti jamstvo.

Samopomoć

Samopopravak može obaviti krajnji korisnik za sljedeće zamjenjive dijelove: ručke na vratima, šarke vrata, ladice, košare i brtva na vratima (ažurirani popis dostupan je na support.beko.com od 01. ožujka 2021.)

Pored toga, kako bi se osigurala sigurnost proizvoda i spriječila opasnost od teških ozljeda, spomenuta samopomoć treba se obaviti pridržavajući se uputa u korisničkom priručniku za samopomoć ili onih dostupnih na support.beko.com Zbog vaše sigurnosti, isključite proizvod iz strujne mreže prije početka obavljanja bilo kakve samopomoći.

Popravak i pokušaj popravka koje obavljaju krajnji korisnici za dijelove koji nisu uključeni na popis i/ili ako se ne pridržavaju uputa u korisničkom priručniku ili onih dostupnih na support.beko.com, mogu izazvati sigurnosne probleme koji se ne mogu pripisati Beko te koji će poništiti jamstvo proizvoda.

Stoga, izričito se preporučuje da se krajnji korisnici suzdrže od pokušaja popravka koji ne uključuje spomenuti popis rezervnih dijelova te da u tom slučaju kontaktiraju ovlaštene stručne servise ili registrirane stručne servise. U suprotnom, takvi pokušaji koje poduzmu krajnji korisnici mogu izazvati sigurnosne probleme i oštetiti proizvod te posljedično izazvati požar, poplavu, smrt zbog strujnog udara i teške tjelesne ozljede.

Na primjer, ali se ne ograničavajući na to, sljedeće popravke moraju obaviti ovlašteni profesionalni servisi ili registrirani profesionalni servisi: kompresor, rashladni sklop, matična ploča, inverter ploča, ploča zaslona, itd.

Proizvođač/prodavač neće se smatrati odgovornim u slučaju da krajnji korisnici ne poštuju gore navedeno.

Dostupnost rezervnih dijelova za hladnjaka koju ste kupili je 10 godina.

Tijekom ovog razdoblja originalni rezervni dijelovi bit će dostupni za ispravan rad hladnjaka.

Minimalno trajanje jamstva hladnjaka kojeg ste kupili je 24 mjeseca.

Ovaj proizvod opremljen je izvorom osvjetljenja energetske klase „G“.

Izvor osvjetljenja u ovom proizvodu smiju zamijeniti samo stručni serviseri.

Spoštovani kupec.

Privoščimo vam, da dosežete optimalno učinkovitost našega izdelka, ki je bil proizveden v sodobni tovarni z natančnim nadzorom kakovosti.

V ta namen prosimo, da v celoti preberete navodila, preden pričnete z uporabo izdelka in naj vas vodijo kot referenčni vir. Če boste ta izdelek predali drugi osebi, poskrbite da gredo ta navodila skupaj z izdelkom.

Navodila za uporabo zagotovijo hitro in varno uporabo izdelka.






- Prosimo preberite navodila pred namestitvijo in uporabo izdelka.
- Vedno upoštevajte veljavne varnostne napotke.
- Hranite navodila v bližini za prihodnjo uporabo.
- Prosimo, da preberete vse druge dokumente, ki so prišli z izdelkom.

Imejte v mislih, da lahko ta navodila veljajo za več modelov izdelka. Ta vodič jasno prikaže razlike med različnimi modeli.

Simboli in opombe

V priročniku so uporabljeni naslednji simboli:

	Pomembne informacije in koristni nasveti.
	Tveganje za življenje in premoženje.
	Nevarnost električnega udara.
	Embalaža izdelka je izdelana iz recikliranih materialov, v skladu z nacionalno okoljsko zakonodajo.

 INFORMACIJE	
 SUPPLIER'S NAME:  MODEL IDENTIFIER:  (*)	 Do informacij o modelu, ki so shranjene v zbirki podatkov o izdelkih, lahko pridete tako, da obiščete naslednje spletno mesto in poiščete identifikator modela (*), ki je naveden na energijski nalepki. https://eprel.ec.europa.eu/

1	Varnost in okoljska navodila	3	5.17. Pladenj za vodo	20
1.1.	Splošna varnost	3	5.18. Zamrzovanje svežih živil	21
1.1.1	HC opozorilo	4	5.19. Priporočila za shranjevanje zamrznjenih živil	21
1.1.2	Pri modelih z vodno fontano	4	5.20. Podrobnosti globokega zamrzovanja	22
1.2.	Predvidena uporaba	4	5.21. Postavitev živil	22
1.3.	Varnost otrok	5	5.22. Opozorilo za odprta vrata	22
1.4.	Skladnost z Direktivo OEEQ in odstranjevanje naprave kot odpadka	5	5.23. Spreminjanje smeri odpiranja vrat	22
1.5.	Skladnost z direktivo RoHS	5	5.24. Notranja luč	22
1.6.	Informacije o embalaži	5	5.25. Modra svetloba/HarvestFresh	23
			5.26. Košara za mlečne izdelke (hladen prostor)	23
2	Hladilnik	6	6 Vzdrževanje in čiščenje	24
3	Namestitev	7	6.1. Izogibanje neprijetnim vonjavam	24
3.1.	Ustrezno mesto za namestitev	7	6.2. Zaščita plastičnih površin	24
3.2.	Pritrditev plastičnih klinov	7	6.3. Steklo vrat	24
3.3.	Prilagoditev stojal	7	7 Odpravljanje motenj	25
3.4.	Električna povezava	8		
4	Priprava	9		
4.1.	Kako prihraniti z energijo	9		
4.2.	Prva uporaba	9		
5	Uporaba izdelka	10		
5.1.	Indikatorska tabla	10		
5.2.	Vedro za led	12		
5.3.	Nosilec za jajca	13		
5.4.	Ventilator	13		
5.5.	Posoda za zelenjavo	13		
5.6.	Zamrzovalni predel	13		
5.7.	Premikajoča vratna polica	13		
5.8.	Uporaba drugega predala za zelenjavo	14		
5.9.	Drseče škatle za shrambo	15		
5.10.	Posoda za zelenjavo z uravnavanjem vlage	16		
5.11.	Modul z osvežilem zraka	16		
5.12.	Samodejna naprava za led	17		
5.13.	Ledomat in posoda za shranjevanje ledu	18		
5.14.	Točaj vode	18		
5.15.	Uporaba vodne pipe	18		
5.16.	Čiščenje posode za vodo	19		

1 Varnost in okoljska navodila

To poglavje vsebuje navodila za varno uporabo, potrebna za preprečitev nevarnosti poškodb in materialne škode. Neupoštevanje teh navodil bo izničilo vse vrste garancije izdelka.

Namen uporabe

	OPOZORILO : Odprtine za zračenje, ohišje naprave ali vgrajeni hladilni elementi naj bodo vedno nezastri.
	OPOZORILO : Za hitrejše odmrzovanje ne uporabljajte mehanskih naprav, razen takih, ki jih priporoča proizvajalec.
	OPOZORILO : Ne poškodujte tokokroga hladilnega sredstva.
	OPOZORILO : V notranjosti razdelka za shranjevanje živil aparata ne uporabljajte električnih naprav, razen takih, ki jih priporoča proizvajalec.

Ta naprava je namenjena za uporabo v gospodinjstvu in podobnih okoljih, kot so:

- kuhinje za osebje v trgovinah, pisarnah in drugih delovnih okoljih;
- hoteli, moteli in druga stanovanjska okolja, kjer jo lahko uporabljajo gostje;
- okolja, kjer ponujajo nočitve z zajtrkom.
- pri cateringu in v podobnih okoljih, kjer ne gre za neposredno prodajo.

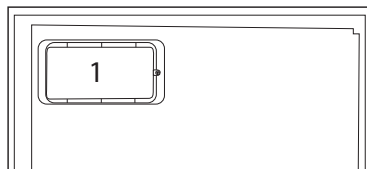
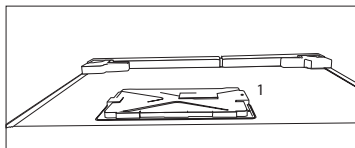
1.1. Splošna varnost

- Ta izdelek naj ne uporabljajo otroci in osebe s telesnimi, čutnimi in duševnimi motnjami brez zadostnega znanja in izkušnji. Napravo smejo uporabljati takšne osebe le pod nadzorom in po navodilih osebe, odgovorne za njihovo varnost.

Hladilnik/Uporabniški priročnik

Otroci se ne smejo igrati s to napravo.

- V primeru okvare, izklopite napravo.
- Ko odklopite, počakajte najmanj 5 minut pred ponovnim priklopom. Izklopite napravo, ko ni v uporabi. Ne dotikajte se vtiča z mokrimi rokami! Ko želite izklopiti ne vlecite za kabel, vedno držite le za vtič.
- Ne priklopljajte hladilnika, če je vtičnica razrahljana.
- Izklopite napravo med namestitvijo, vzdrževanjem, čiščenjem in popravilom.
- Če naprave nekaj časa ne boste uporabljali, jo izklopite in iz notranjosti odstranite vso hrano.
- Ne uporabljajte pare ali parnih čistilnih sredstev za notranje čiščenje hladilnika in taljenje ledu. Para lahko pride v stik z električnimi elementi in povzroči kratek stik ali električni udar!
- Izdelka tudi zunaj ne perite z razprševanjem ali polivanjem vode! Nevarnost električnega udara!
- Izdelka ne uporabljajte, če je področje na vrhu ali na zadnji strani izdelka, ki vsebuje elektronska tiskana vezja, odprto (pokrov elektronskega tiskanega vezja) (1).

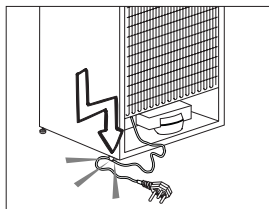


- V primeru okvare ne uporabljajte naprave, saj lahko to povzroči električni udar. Preden karkoli poskušate se obrnite na pooblaščenega serviserja.
- Napravo priključite v ozemljeno vtičnico. Ozemljitev mora izvesti usposobljen električar.
- Če ima naprava razsvetljavo vrste LED, se obrnite na pooblaščenega servisa zaradi

Varnostna in okoljska navodila

zamenjave ali v primeru kakršnih koli težav.

- Ne dotikajte se zmrznjene hrane z mokrimi rokami! Lahko se prilepi vašim rokam!
- Ne postavljajte tekočin v steklenicah, plastenkah in pločevinkah v zamrzovalnik. Lahko počijo ali pa tekočina izbruhne!
- Postavite tekočine v pokončnem položaju, ko tesno zaprete pokrov.
- Ne pršite vnetljivih snovi v bližini naprave, saj lahko to povzroči požar ali eksplozijo.
- Ne hranite vnetljivih materialov in izdelkov z vnetljivimi plini (razpršilci itd) v hladilniku.
- Ne postavljajte posod v katerih so tekočine na vrh naprave. Politje vode po elektrificiranih delih lahko povzroči električni udar in nevarnost požara.
- Izpostavljanje naprave dežju, snegu, soncu in vetru povzroči električno nevarnost. Ko prestavljate napravo, jo ne vlecite tako, da držite za ročaj vrat. Ročaj se lahko odtrga.
- Bodite pozorni, da preprečite ukleščanje katerihkoli delov vaših rok ali telesa v katerega od gibljivih delov naprave.
- Ne stopajte ali se obešajte na vrata, predale in podobne dele hladilnika. To bi povzročilo, da se naprava prevrne in se deli poškodujejo.
- Pazite, da ne zapnete v napajalni kabel.



1.1.1 HC opozorilo

Če naprava vsebuje hladilni sistem, ki uporablja plin R600a, pazite, da ne bi poškodovali hladilni sistem in njegovo cev med uporabo in

premikanjem naprave. Ta plin je vnetljiv. Če je hladilni sistem poškodovan, imejte napravo stran od virov ognja in takoj prezračite prostor.



Nalepka na notranji levi strani označuje vrsto uporabljenega plina v napravi.

1.1.2 Pri modelih z vodno fontano

- Tlak vstopne hladne vode ne sme presežati 620 kPa (90 psi). Če tlak vstopne vode presega 550 kPa (80 psi), uporabite ventil za omejevanje tlaka v vodovodnem tokokrogu. Če ne veste, kako izmeriti vodni tlak, poprosite inštalaterja za vodovod.
- Če je v vaši inštalaciji prisotno tveganje nastanka hidravličnega udara, vedno uporabite opremo za preprečevanje hidravličnega udara. Da preverite, da v vaši inštalaciji ni tveganja za pojav hidravličnega udara, se posvetujte z inštalaterjem za vodovod.
- Ne nameščajte na vod s toplo vodo. Izvedite potrebne ukrepe za preprečevanje zamrznitve cevi. Območje temperature vode za delovanje naj bo med najmanj 0,6°C (33°F) in največ 38°C (100°F).
- Uporabljajte samo pitno vodo.

1.2. Predvidena uporaba

- Ta naprava je namenjena za domačo uporabo. Ni namenjena za komercialno uporabo.
- To napravo se sme uporabiti samo za shranjevanje hrane in pijače.
- Ne hranite v hladilniku občutljive izdelke, ki zahtevajo nadzorovane temperature (cepiva, toplotno občutljiva zdravila, medicinski izdelki itd).

Varnostna in okoljska navodila


- Proizvajalec ne prevzema odgovornosti za morebitno škodo zaradi zlorabe ali napačne uporabe.
- Originalne nadomestne dele zagotavljamo 10 let po datumu nakupa.

1.3. Varnost otrok

- Hranite embalažne materiale izven dosega otrok.
- Ne dovolite, da bi se otroci igrali z napravo.
- Če vrata naprave vsebujejo ključavnico, hranite ključ izven dosega otrok.

1.4. Skladnost z Direktivo OEE0 in odstranjevanje naprave kot odpadka

Ta naprava je skladna z direktivo EU WEEE (2012/19/EU). Ta naprava nosi oznako klasifikacije za odpadno električno in elektronsko opremo (OEE0).

 Naprava je bila izdelana iz visoko kakovostnih delov in materialov, ki jih je mogoče ponovno uporabiti in so primerni za recikliranje. Ne zavržite naprave kot odpadka med običajne domače in druge odpadke na koncu njegove življenjske dobe. Odnosite jo v zbirni center za recikliranje električne in elektronske opreme. Obrnite se na lokalne oblasti, da izveste za lokacije teh zbirnih centrov.

1.5. Skladnost z direktivo RoHS

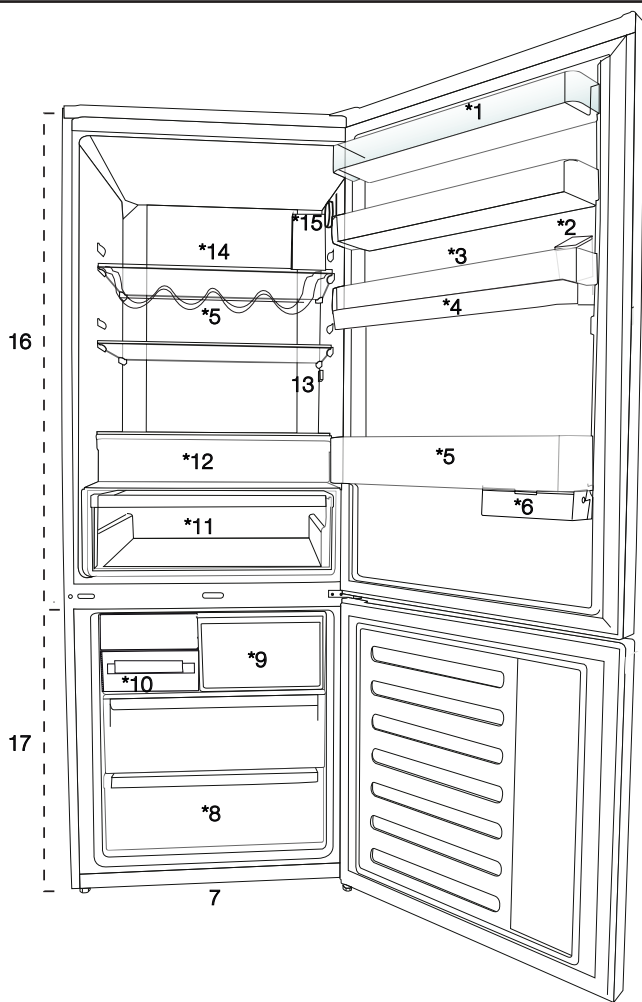
- Ta naprava je skladna z direktivo EU WEEE (2011/65/EU). Ne vsebuje škodljivih in prepovedanih snovi, navedenih v direktivi.

1.6. Informacije o embalaži

- Embalaža naprave je izdelana iz recikliranih materialov v skladu z našimi nacionalnimi predpisi za okolje. Ne odlagajte embalažnih materialov skupaj z domačimi ali drugimi odpadki. Peljite jih v zbirne centre za

embalažo, ki so jih lokalne oblasti pooblastile.

2 Hladilnik



1. Polica na vratih hladilnega dela
2. Posoda za polnjenje točaja vode
3. Pladenj za jajca
4. Rezervoar točaja vode
5. Polica za steklenice
6. Drseče škatle za shrambo
7. Nastavljive noge
8. Predel za globoko zamrzovanje
9. Predal za hitro zamrzovanje
10. Pladenj za kocke ledu & posoda za led
11. Posoda za zelenjavo
12. Košara za mlečne izdelke (hladen prostor)
13. Notranja luč
14. Steklena polica predela hladilnika
15. Gumb za nastavitev temperature
16. Predel hladilnika
17. Zamrzovalni del



***izbirno:** Slike v tem priročniku so podate kot primer in morda niso popolnoma enako kot izdelek. Če vaš izdelek ne vključuje ustreznih delov, se podatki nanašajo na druge modele.

3 Namestitev

3.1. Ustrežno mesto za namestitev

Za namestitev izdelka se obrnite na pooblaščen servis. Če želite pripraviti izdelek na namestitev, glejte informacije v uporabniškem priročniku in se prepričajte, da so električne in vodovodne storitve ustrezne. Če ne, pokličite električarja in vodovodarja, da uredita potrebne napeljave.



OPOZORILO: Proizvajalec ne prevzema odgovornosti za škodo, ki je posledica del, ki so jih izvedle nepooblaščene osebe.



OPOZORILO: Med nameščanjem mora biti napajalni kabel izdelka izključen. Neupoštevanje tega lahko povzroči smrt ali resne poškodbe!



OPOZORILO: Če je razpon vrat preozek za hrano, odstranite vrata in obrnite izdelek na stran; če to ne deluje, se obrnite na pooblaščen servis.

- Izdelek postavite na ravno površino, da ne pride do vibracij.
- Izdelek morate namestiti vsaj 30 cm od grelnika, štedilnika in podobnih virov toplote in vsaj 5 cm od električnih pečice.
- Izdelka ne postavljajte pod neposredno sončno svetlobo in v vlažna okolja.
- Izdelek za učinkovito delovanje rabi zadostno kroženje zraka.
- Če bo izdelek nameščen v nišo, ne pozabite, da pustite razdaljo vsaj 5 cm med izdelkom in stropom ter stenami.
- Naprave ne nameščajte v okoljih s temperaturo nižjo od -5°C .
- Za učinkovito delovanje tega izdelka je potrebno zadostno kroženje zraka. Če bo izdelek nameščen v nišo, pustite vsaj 5 cm prostora med izdelkom ter stropom, zadnjo steno in stranskima stenama.
- Če bo izdelek nameščen v nišo, pustite vsaj 5 cm prostora med izdelkom ter stropom, zadnjo steno in stranskima stenama. Preverite, ali je nameščen zaščitni del za odmik od zadnje stene (če je priložen izdelku). Če del ni na voljo ali pa je izgubljen oziroma uničen, namestite

izdelek tako, da je z zadnjo stranjo od stene prostora oddaljen vsaj 5 cm. Odmik na zadnji strani je pomemben za učinkovito delovanje izdelka.

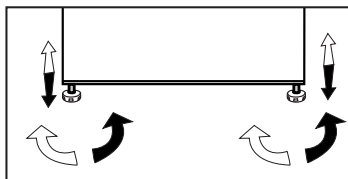
3.2. Pritrditev plastičnih klinov

Uporabite plastične klinke, ki so priloženi izdelku, da omogočite dovolj prostora za kroženje zraka med izdelkom in steno.




1. Za pritrditev klinov odstranite vijake na izdelku in uporabite vijake, ki so dobavljeni skupaj s klini.
2. Pritrdite 2 plastična klinca na pokrov prezračevanja, kot prikazuje slika.

3.3. Prilagoditev stojal


Če izdelek ni uravnotežen, prilagodite nastavljiva stojala z obračanjem v desno ali levo.



3.4. Električna povezava

	OPOZORILO: Pri električni povezavi ne uporabljajte podaljškov ali več vtičnic.
	OPOZORILO: Poškodovan napajalni kabel lahko zamenja le pooblaščen servis.
	Če hladilnik postavite ob drug hladilnik, naj bo razdalja med njima vsaj 4 cm.

- Naše podjetje ne prevzema odgovornosti za škodo, ki nastane zaradi uporabe ozemljitve in električne povezave, ki ni v skladu z državnimi predpisi.
- Vtič napajalnega kabla naj bo po namestitvi lahko dostopen.
- Med vtičnico in hladilnikom ne uporabljajte več vtičev z ali brez podaljška.

	Opozorilo za vročo površino Bočne stene izdelka so zaradi izboljšanja hladilnega sistema opremljene s hladilnimi cevmi. Po teh delih se lahko pretaka hladilno sredstvo z visoko temperaturo, zaradi česar se lahko bočne stene zelo segrejejo. To je običajno in ni razlog za servisiranje. Bodite previdni pri dotikanju teh površin.
--	---

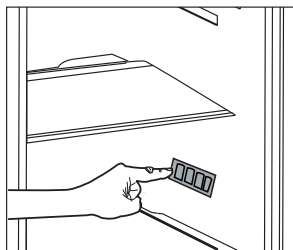
4 Priprava

4.1. Kako prihraniti z energijo



Priključitev naprave na sisteme varčevanja električne energije je nevarno, saj lahko poškodujejo napravo.

- Za samostoječi aparat; »ta hladilni aparat ni namenjen za uporabo kot vgradni aparat«;
- Ne puščajte vrat hladilnika odprtih dlje časa.
- V napravo ne nalagajte vročih živil in pijač.
- Ne naložite v hladilnik preveč stvari; z blokiranjem notranjega pretoka zraka zmanjšate učinkovitost hlajenja.
- Da bi v hladilni predel vašega hladilnika shranili čim večjo količino hrane, odstranite zgornje police in jo položite na stekleno polico. Označena poraba energije vašega hladilnika je bila določena z odstranjenim hladilnikom, pladnjem za led in zgornjimi predali, da bi omogočili največjo zmogljivost shranjevanja. Močno priporočamo uporabo spodnje police za shranjevanje. Za najboljšo porabo energije je treba vklopiti funkcijo za varčevanje z energijo.
- Hrane ne postavljajte pred ventilator hladilnika, saj tako blokirate pretok zraka. Hrano položite vsaj 3 cm od zaščitne žice ventilatorja.
- Glede na lastnosti izdelka; z odtajanjem zamrznjene hrane v predelu hladilnika boste zagotovili varčevanje z energijo in ohranili kakovost živil.
- Hrano shranite z uporabo polic v predelu hladilnika, da zagotovite varčevanje z energijo in ohranite živila v boljšem stanju.
- Paketi hrane ne smejo biti v neposrednem stiku s senzorji toplote, ki se nahajajo v predelu hladilnika. Če so v stiku s senzorji, se lahko poraba energije naprave poveča.
- Pazite, da živila niso v stiku s senzorjem temperature predela hladilnika, kot je opisano spodaj.



- Če je na voljo več možnosti, je treba steklene police namestiti tako, da odprtine za zrak na zadnji steni niso blokirane, saj izpusti zraka ostanejo pod stekleno polico. Ta kombinacija lahko pomaga izboljšati razporeditev zraka in energetske učinkovitost.

4.2. Prva uporaba

Pred prvo uporabo hladilnika, poskrbite, da so vse priprave izvedene v skladu z navodili v razdelkih »Varnostna in okoljska navodila« in »Namestitve«.

- Naj izdelek deluje brez hrane 6 ur in ne odpirajte vrat, razen če je res nujno potrebno.



Ko kompresor prične delovati, boste zaslišali zvok. Zvoki so povsem običajni, tudi ko kompresor ne deluje, zaradi stisnjenih tekočin in plinov v hladilnem sistemu.



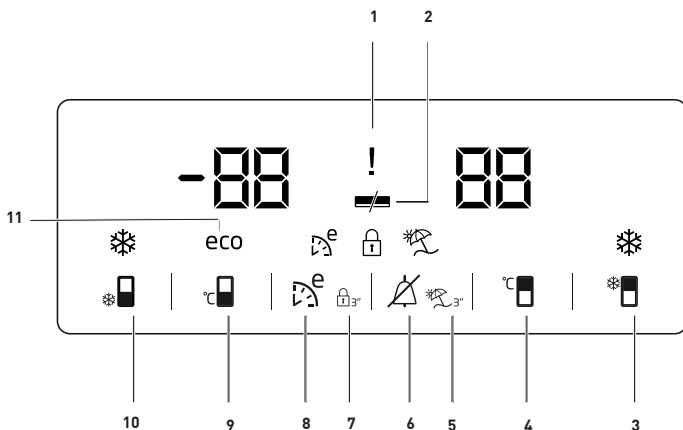
Sprednji robovi izdelka se lahko segrejejo. To je običajno. Ti predeli so oblikovani, da se segrejejo in preprečijo kondenzacijo.



Pri nekaterih modelih se indikatorska tabla samodejno izklopi 5 minut po tem, ko zaprete vrata. Aktivirala se bo, ko se vrata odprejo ali pritisnete kateri koli gumb.

5.1. Indikatorska tabla

Indikatorska tabla omogoča nastavitev temperature in nadzor nad drugimi funkcijami izdelka, ne da bi odprli vrata hladilnika. Za nastavitve funkcije preprosto pritisnite napise na ustreznih gumbih.



1. Indikator za izpad napajanja/visoko temperaturo/stanje napake

Ta indikator (!) sveti v primeru izpada napajanja, visoke temperature in opozoril za napake.

Ko se temperatura v zamrzovalnem delu dvigne na kritično raven za zamrznjeno hrano, na digitalnem indikatorju utripa najvišja vrednost, ki jo doseže temperatura zamrzovalnega dela.

Preverite hrano v zamrzovalnem delu.

To ni napaka. Opozorilo lahko izbrišete tako, da pritisnete kateri koli gumb ali gumb za izklop alarma za visoko temperaturo. (Preklic s pritiskom na kateri koli gumb ni na voljo pri vseh modelih.)

Ta indikator (!) sveti tudi v primeru napake senzorja. Ko sveti ta indikator, se na indikatorju temperature izmenično prikazujejo črka »E« in številke, kot so »1, 2, 3 ...«. Prikazane številke predstavljajo informacije o napaki za servisno osebje.

2. Funkcija varčevanja energije (zaslon ugasnjen):

Če so vrata naprave dlje časa ostala zaprta, se funkcija varčevanja energije samodejno vklopi, simbol te funkcije pa zasveti. (🔋)

Ko je funkcija za varčevanje energije aktivirana, se bodo na zaslonu izklopili vsi simboli razen simbol za varčevanje energije. Če med delovanjem funkcije »Energy Saving« pritisnete kateri koli gumb ali odprete vrata, se bo funkcija izklopila in simboli na zaslonu se bodo vrnili na običajno delovanje.

Funkcija varčevanja energije se vklopi med dostavo iz tovarne in je ni mogoče preklicati.

3. Funkcija hitrega hlajenja

Gumb ima dve funkciji. Za vklop ali izklop funkcije hitrega hlajenja ga na kratko pritisnite. Indikator za hitro hlajenje se bo izklučil in preklopil na običajne nastavitve. (❄️)




***izbirno:** Slike v tem priročniku so podate kot primer in morda niso popolnoma enako kot izdelek. Če vaš izdelek ne vključuje ustreznih delov, se podatki nanašajo na druge modele.



Uporaba izdelka

	Funkcijo hitrega hlajenja uporabite, ko želite hitro ohladiti hrano, ki ste jo postavili v predel hladilnika. Če želite ohladiti velike količine svežih živil, vklopite funkcijo preden postavite živila v hladilnik.
	Če funkcije hitrega hlajenja ne prekličete, se bo po 1 urah ali ko hladilni del doseže želeno temperaturo samodejno izklopila.
	Če gumb za hitro hlajenje pritisnete večkrat zaporedoma v kratkih intervalih, se vklopi zaščitni sistem elektronskega vezja in kompresor ne bo pričel z delovanjem nemudoma.
	Po vzpostavitvi napetosti v primeru izpada elektrike se funkcija ne povrne.

4. Gumb za nastavev temperature hladilnega dela

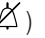
Temperature hladilnega dela nastavite na 8, 7, 6, 5, 4, 3, 2, 1, 8... če pritisnete gumb zaporedoma. Pritisnite gumb za nastavev zelene temperature hladilnega dela. ()

5. Funkcija za počitnice

Če želite aktivirati funkcijo za počitnice, pritisnite ta gumb () za 3 sekunde in indikator načina za počitnice () se aktivira. Ko je funkcija za počitnice vklopljena, je na indikatorju temperature hladilnega predela prikazano »-«, v predelu hladilnika pa ni aktivnega hlajenja. Ko je funkcija za počitnice vklopljena, ne priporočamo shranjevanja živil v predelu hladilnika. Ostali predeli se bodo še naprej hladili, kot je nastavljena njihova temperatura.

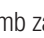
Za preklic funkcije ponovno pritisnite gumb Funkcija počitnice.


6. Preklic opozorila za visoko temperaturo:


V primeru opozorila za izpad napajanja/visoko temperaturo lahko izbrisate opozorilo () tako, da po preverjanju hrane v zamrzovalnem delu za 1 sekundo pritisnete kateri koli gumb na indikatorju ali gumb za izklop alarma za visoko temperaturo.

Opomba: Preklic s pritiskom na kateri koli gumb ni na voljo pri vseh modelih.


7. Ključavnica

Pritisnite gumb za ključavnico () za 3 sekunde. Simbol ključavnice

() bo zasvetilo in vklopil se bo način za ključavnico. Med delovanjem načina ključavnice gumbi ne delujejo. Ponovno pritisnite gumb za ključavnico za 3 sekunde. Simbol za ključavnico bo prenehala svetiti in način za ključavnico se izklopi.


Če želite preprečiti spreminjanje nastavitve temperature hladilnika, pritisnite gumb **key lock** (ključavnica) ().

8. Varčna funkcija

Varčno funkcijo (Eco Fuzzy) vklopite, če za 1 sekunde pritisnete in držite gumb za varčno funkcijo. Hladilnik bo najkasneje po 6 urah pričel delovati v najvarčnejšem načinu in ko je funkcija aktivna, se bo vklopil kazalec varčne uporabe (). Varčno funkcijo (Eco Fuzzy) izklopite, če za 3 sekunde pritisnete in držite gumb za varčno funkcijo.

Ta indikator zasveti po 6 urah, ko je varčna funkcija vklopljena.


9. Gumb za nastavev temperature zamrzovalnega dela

Temperature zamrzovalnega dela nastavite na -18, -19, -20, -21, -22, -23, -24, -18... če pritisnete gumb zaporedoma. Pritisnite ta gumb za nastavev zelene temperature zamrzovalnega dela. ()

Uporaba izdelka


10. Gumb funkcije hitrega zamrzovanja/ gumb za vklop-izklop ledomata


Pritisnite ta gumb za vklop ali izklop funkcije hitrega zamrzovanja. Ko aktivirate to funkcijo, se predel zamrzovalnika ohladi na temperaturo, ki je nižja od nastavljene vrednosti.

(). Za vklop in izklop ledomata pritisnite in držite gumb za 3 sekunde.

	Funkcijo hitrega zamrzovanja uporabite, ko želite hitro zamrzniti hrano, ki ste jo postavili v predel hladilnika. Če želite zamrzniti velike količine svežih živil, vklopite funkcijo preden postavite živila v hladilnik.
	Če funkcije hitrega zamrzovanja ne prekličete, se bo po 24 urah ali ko hladilni del doseže želeno temperaturo samodejno izklopila.
	Po vzpostavitvi napetosti v primeru izpada elektrike se funkcija ne povrne.

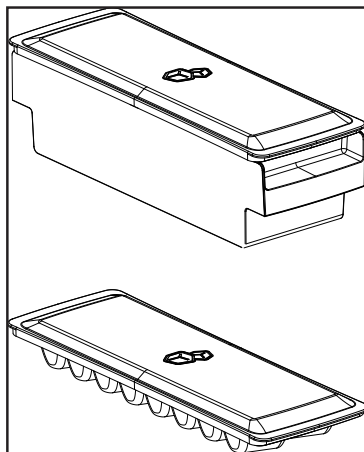
11. Indikator varčne uporabe

Označuje, da hladilnik deluje v energijsko varčnem načinu. () Indikator bo vklopljen, če je temperatura predela zamrzovalnika nastavljena na -18 ali če je vklopljena funkcija "Eco-Extra" (posebno varčevanje) in se izvaja energijsko varčno hlajenje.

	Indikator varčne uporabe se ugasne, ko izberete funkcijo hitrega hlajenja ali hitrega zamrzovanja.
---	--

5.2. Vedro za led (izbirno)

- Vzemite vedro za led iz predela zamrzovalnika.
- Napolnite vedro za led z vodo.
- Postavite vedro za led v predela zamrzovalnika.
- Led bo pripravljen približno v dveh urah. Vzemite vedro za led iz predela zamrzovalnika in rahlo nagnite čez držalo, ki ga boste postregli. Led se bo samodejno prelił v držalo za serviranje.



Uporaba izdelka

5.3. Nosilec za jajca

Nosilec za jajca lahko namestite na vrata ali polico po izbiri. Če se odločite, da ga boste postavili na polico trupa, je priporočljivo uporabiti spodnje police, saj so hladnejše.

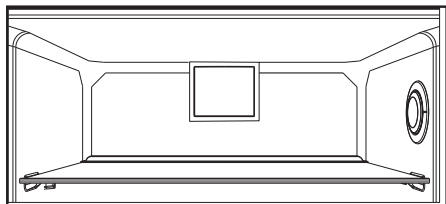


Nosilca za jajca ne postavljajte v predel zamrzovalnika.

5.4. Ventilator

Ventilator je oblikovan, da enakomerno razporeja kroženje hladnega zraka znotraj hladilnika. Čas delovanja ventilatorja se lahko razlikuje glede na lastnosti naprave.

Pri nekaterih izdelkih ventilator deluje le s kompresorjem, pri drugih pa kontrolni sistem določa čas delovanja glede na potrebo po hlajenju.



5.5. Posoda za zelenjavo

(izbirno)

Posoda za zelenjavo je narejen, da ohranja vlago in ohranja zelenjavo svežo. V ta namen se celotno kroženje mrzlega zraka v posodi za zelenjavo okrepi.

5.6. Zamrzovalni predel

(izbirno)

Ta predel uporabljajte za shranjevanje delikates pri nizkih temperaturah ali mesnih izdelkov, ki jih boste takoj porabili.

Zamrzovalni predel je najhladnejše mesto, kjer lahko shranite živila kot so mlečni izdelki, meso, ribe in piščanec, v idealnih pogojih shranjevanja. Ta predel ni primeren za shranjevanje zelenjave in/ali sadja.

5.7. Premikajoča vratna polica

(izbirno)

Premikajoča vratna polica se lahko pritrdi na 3 različne položaje.

Če želite premakniti polico, enakomerno pritisnite gumbe na straneh. Police se tako odstrani.

Pomaknite polico gor ali dol.

Ko je polica v želenem položaju, sprostite gumbe. Polica bo ponovno pritrjena v položaju, kjer ste spustili gumbe.

Uporaba izdelka

5.8. Uporaba drugega predala za zelenjavo



Slika 1

Kot prikazuje slika, sta v drugem predalu za zelenjavo modela K70560 dva zaustavljavca.



Slika 2

Ko je drugi predal zaprt, je videti tako, kot prikazuje slika 2.



Slika 3

Ko so vrata odprta za 90°, drugi predal za zelenjavo povlecite do prvega zaustavljavca, kot prikazuje slika 3.

Če je predal bolj odprt, najprej odprite vrata za vsaj 135°. Nato dvignite drugi predal za zelenjavo za približno 5 mm, da ga odmaknete od prvega zaustavljavca, kot prikazuje slika 4.



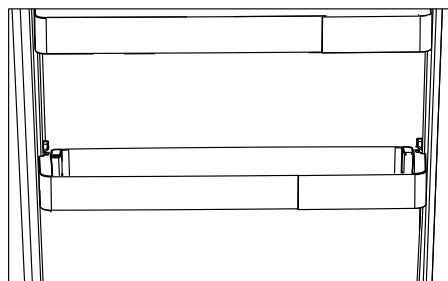
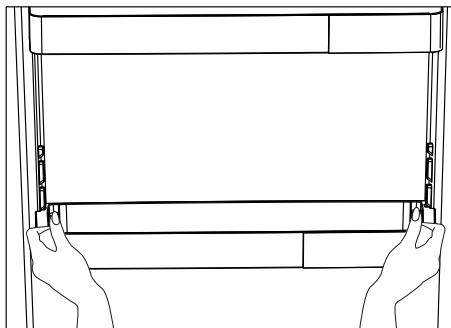
Slika 4



Ko ste ga dvignili, povlecite drugi predal za zelenjavo do drugega zaustavljavca, kot prikazuje slika 5.

Slika 5

Uporaba izdelka



HerbBox/HerbFresh

Iz škatle HerbBox/HerbFresh+ odstranite posodico s folijo.

Vzemite folijo iz vrečke in jo položite v posodico, kot je prikazano na sliki.

Znova zaprite posodo in jo vstavite v enoto HerbBox/HerbFresh+.

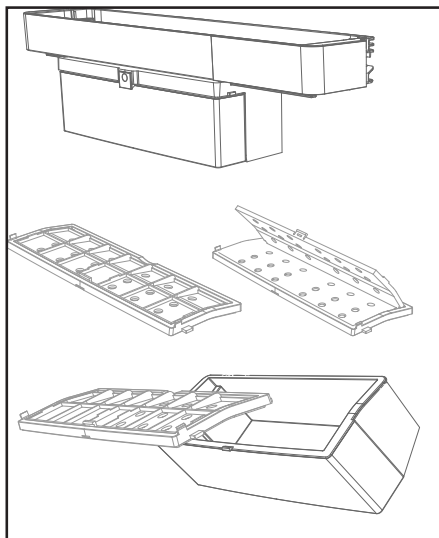
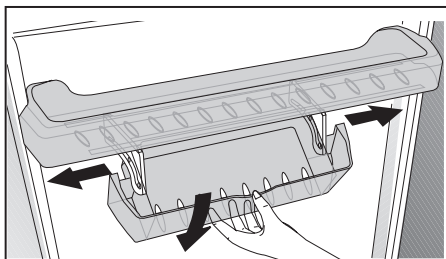
Razdelki HerbBox-HerbFresh+ so idealni zlasti za shranjevanje različnih zelišč, ki jih je treba hraniti pod posebnimi pogoji. V tem razdelku lahko v vodoravni legi hranite vaša zelišča, ki niso v vrečkah (peteršilj, koper in podobno), ter jih ohranite dalj časa sveže.

Zamenjajte film vsakih šest mesecev.

5.9. Drseče škatle za shrambo (izbirno)

Dodatek je oblikovan z namenom povečati uporabno prostornino polic na vratih.

Ker se lahko premakne na stran, omogoča enostavno nameščanje dolgih steklenic, kozarcev ali škatel, ki jih postavite spodnje stojalo za steklenice.



Uporaba izdelka

5.10. Posoda za zelenjavo z uravnavanjem vlage

(izbirno)

Funkcija uravnavanja vlage ohranjanje stopnje vlage zelenjave in sadja pod nadzorom in zagotovi hrano dlje časa svežo.

Listnato zelenjavo, kot je zelena solata, špinača in podobna zelenjava, ki je podvržena izgubi vlage, shranjujte v vodoravnem položaju v posodi za zelenjavo in ne na koreninah.

Ko nalagata zelenjavo, položite težjo in trdo zelenjavo na dno, lahko in mehko pa na vrh, pri tem pa upoštevajte specifične teže zelenjave.

Zelenjave ne pustite v posodi za zelenjavo v plastičnih vrečkah. Če jo pustite v plastičnih vrečkah, zelenjava hitreje zgnije. V situacijah, kjer ni dobro, da se različne vrste zelenjave stikajo med seboj, uporabite pakirni material, kot je papir, ki ima določeno poroznost v smislu higiene.

Sadja, ki ima proizvodnjo z visoko vsebnostjo etilena, kot so hruške, marelice, breskve in predvsem jabolka, v isto posodo za zelenjavo z drugo zelenjavo in sadjem. Etilen, ki prihaja iz tega sadja, lahko povzroči, da druga zelenjava in sadje hitreje dozori in zgnije.

5.11. Modul z osvežilcem zraka

(FreshGuard) *izbirno

Modul z osvežilcem zraka hitro odstrani neprijetne vonjave v hladilniku, preden prežamejo površine. S tem modulom, ki je nameščen na strop predala za sveža živila, se bodo slabe vonjave razblinile, zrak bo prešel v filter za odpravo neprijetnih vonjav, ta pa bo zrak poslal nazaj v predal za sveža živila. Tako bodo odstranjene neprijetne vonjave, ki se pojavijo med shranjevanjem živil v hladilniku, preden prežamejo površine.

To omogočajo ventilator, dioda in filter za svež zrak, ki je vgrajen v modulu. Modul z osvežilcem zraka se bo samodejno vklopil v intervalih. Če želite ohraniti učinkovito delovanje modula z osvežilcem zraka, vam priporočamo, da filter v modulu vsakih 5 let zamenja pooblaščen serviser. Hrup, ki ga slišite med delovanjem modula je zaradi vgrajenega ventilatorja normalen. Če odprete vrata predala za sveža živila, medtem ko modul deluje, se bo ventilator začasno ustavil, ter se ponovno vklopil in deloval naprej, ko vrata zaprete. V primeru izpada električnega toka bo modul z osvežilcem zraka po ponovni vzpostavitvi napajanja nadaljeval z delovanjem od točke, na kateri se je ustavil.

Informacije: Priporočamo, da aromatična živila (kot so sir, olive, delikatese) hranite zaprta v njihovi embalaži, da se izognete slabim vonjavam, ki se lahko pojavijo, kadar se mešajo vonjave različnih živil. Poleg tega priporočamo, da pokvarjena živila hitro odstranite iz hladilnika, da preprečite kvarjenje drugih živil in se izognete slabim vonjavam.

Uporaba izdelka

5.12.Samodejna naprava za led

(izbirno)

Samodejna naprava za led omogoča enostavno izdelavo ledu v vašem hladilniku. Če želite dobiti led iz naprave za led, odstranite rezervoar za vodo iz predela hladilnika, ga napolnite z vodo in ga pritrdite nazaj na mesto.

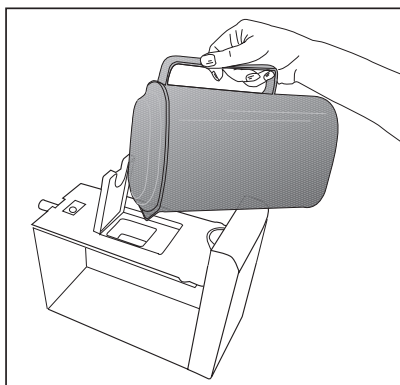
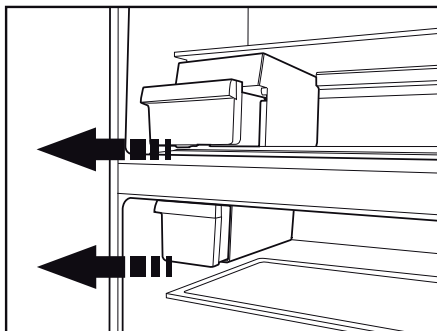
Prvi led bo pripravljen v ok. 2 urah v predali naprave za led v predelu hladilnika.

Ko namestite polni rezervoar za vodo, lahko dobite ok. 60-70 kock ledu, dokler ni popolnoma prazen.

Če je voda v rezervoarju stala 2-3 tedne, jo je treba zamenjati.



Pri izdelkih s samodejno napravo za led boste med vlivanjem ledu morda slišali zvok. Ta zvok je običajen in ni napaka.



Uporaba izdelka

5.13. Ledomat in posoda za shranjevanje ledu

*izbirno

Uporaba ledomata

Ledomat napolnite z vodo in ga postavite na ustrezno mesto. Led bo pripravljen približno v dveh urah. Ledomata ne odstranjajte iz svojega mesta, da bi vzeli led.

Gumbe na njem zavrtite v smeri urinega kazalca za 90 stopinj.

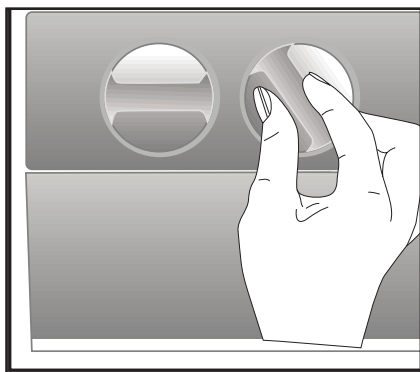
Kocke ledu v zbiralnikih bodo padle v posodo za shranjevanje ledu spodaj.

Posodo za shranjevanje ledu lahko izvlčete in postrežete kocke ledu.

Če želite, lahko kocke ledu hranite v posodi za shranjevanje ledu.

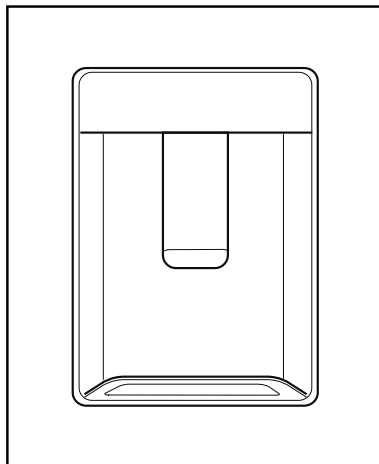
Posoda za shranjevanje ledu

Posoda za shranjevanje ledu je namenjena le zadrževanju kock ledu. V posodo ne vlivajte vode, saj se lahko zlomi.



5.14. Točaj vode (pri nekaterih modelih)

Točaj vode je zelo uporabna naprava, ki omogoča natakanje hladne vode brez odpiranja vrat hladilnika. Ker vam ne bo treba pogosto odpirati vrat hladilnika, boste prihranili energijo.



5.15. Uporaba vodne pipe

S kozarcem potisnite ročico točaja vode. Ko pritisk na ročico popustite, bo točaj vode prenehal delovati.

Med natakanjem vode lahko dosežete največji pretok s pritiskom na ročico do konca. Ne pozabite, da je pretok vode iz točaja odvisen od sile, s katero pritisnete na ročico.

Medtem ko gladina vode v kozarcu/posodi narašča, malce popustite pritisk, da se voda ne prelije. Pri zelo nežnem pritisku na ročico bo voda samo kapljala; to je normalno in ni motnja delovanja.

Uporaba izdelka

Polnjenje posode točaja vode

Polnilna posodica za vodo se nahaja v notranjosti regala vrat. Odprite pokrov posode in jo napolnite s čisto pitno vodo. Nato pokrov zaprite.

Pozor!

- Posodo za vodo polnite le z vodo in ne s katero koli drugo tekočino, kot so sadni sokovi, gazirane pijače ali alkoholne pijače, ki niso primerne za uporabo v točaju vode. Pri uporabi teh tekočin bo točaj vode bo nepopravljivo poškodovan. Garancija take uporabe ne krije. Nekatere kemične snovi in aditivi, vsebovani v teh vrstah pijač / tekočin lahko posodo za vodo poškodujejo.

- Uporabljajte samo čisto in svežo pitno vodo.
- Prostornina posode za vodo znaša 3 litre; ne napolnite preveč.
- S kozarcem potisnite ročico točaja vode.

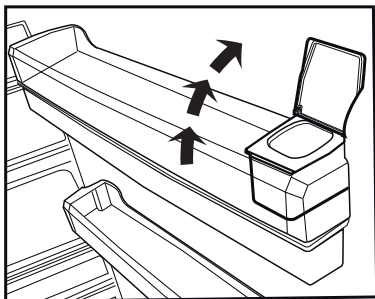
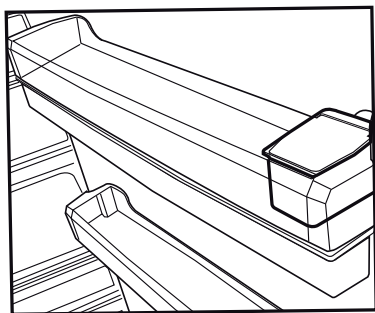
Če uporabljate plastične kozarce za enkratno uporabo, potisnite ročico s prsti za kozarcem.

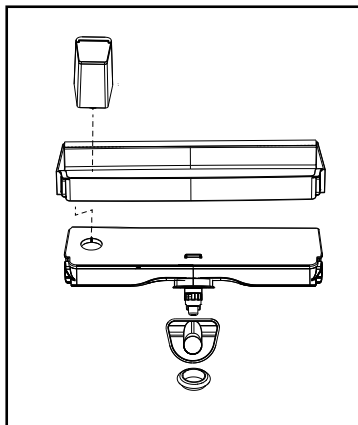
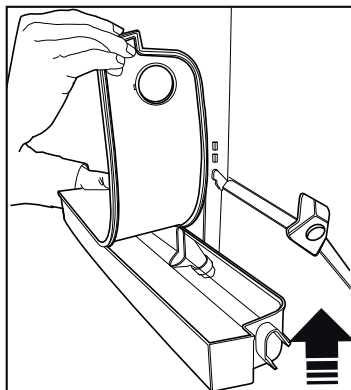
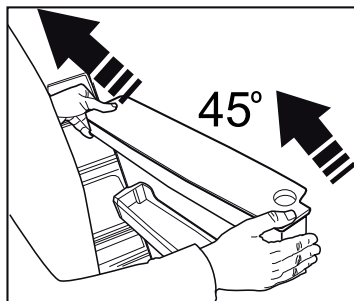
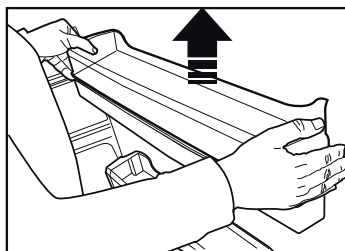
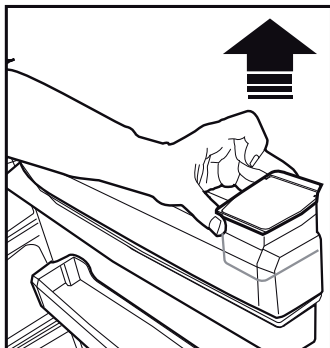
5.16.Čiščenje posode za vodo

- Odstranite posodo za polnjenje vode v notranjosti regala na vratih.
- Odstranite regal vrat, tako da ga primete na obeh straneh.
- Primite posodo za vodo na obeh straneh in jo odstranite pod kotom 45 °C.
- Posodo za vodo očistite z odstranitvijo pokrova.

Pomembno:

Sestavni deli posode za vodo in točaja vode se ne smejo prati v pomivalnem stroju.





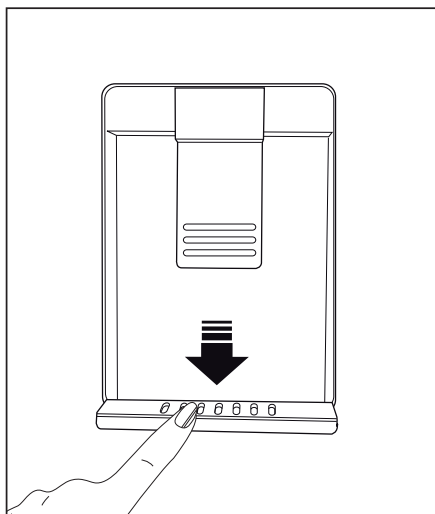
5.17. Pladenj za vodo

Voda, ki kaplja pri uporabi točaja vode, se nabira v pladnju za vodo.

Plastični pladenj odstranite, kot je prikazano na sliki.

S čisto in suho krpo obrišite razlito vodo.

POZOR: Priključite samo na napeljavo s pitno vodo.



Uporaba izdelka

5.18. Zamrzovanje svežih živil

- Če želite ohraniti kakovost živil, morate živila, ki jih postavite v predel zamrzovalnika, čim hitreje zamrzniti; za to uporabite hitro zamrzovanje.
- Zamrzovanje sveže hrane podaljša čas shranjevanja v predelu zamrzovalnika.
- Zapakirajte živila v nepredušne pakete in jih tesno zaprite.
- Pazite, da so živila zapakirana, preden jih postavite v zamrzovalnik. Uporabite držala zamrzovalnika, folijo in papir, ki je odporen na vlago, plastične vrečke ali podobni pakirni material, namesto običajnega papirja.



Led v predelu zamrzovalnika se samodejno odtaja.

- Pred pakete s hrano zamrznete jih označite z datumom. Tako boste lahko določili svežino posameznega paketa vsakič, ko odprete zamrzovalnik. Hranite starejša živila spredaj, da jih tako uporabite najprej.
- Zamrznjena živila je treba porabiti takoj ko se odtalijo in se ne smejo ponovno zamrzniti.
- Ne zamrzujte velike količine živil naenkrat.

5.19. Priporočila za shranjevanje zamrznjenih živil

Predel mora biti nastavljen vsaj na -18°C .

1. Živila nemudoma postavite v zamrzovalnik, da se ne odtalijo.
2. Pred zamrzovanjem, preverite »datum izteka roka« na embalaži, da se prepričajte, da se ni izdelek.
3. Preverite, da embalaža živil ni poškodovana.

Nastavitev temperature zamrzovalnega dela	Nastavitev temperature hladilnega dela	Podrobnosti
-18°C	4°C	To je privzeta in priporočena nastavitev.
$-20, -22$ ali -24°C	4°C	Te nastavitve so priporočene za temperature okolja, ki presegajo 30°C .
Funkcija hitrega zamrzovanja	4°C	Uporabite, ko želite zamrzniti hrano v kratkem času. Ko se postopek konča, izdelek ponovno pridobi svoj položaj.
-18°C ali hladneje	2°C	Te nastavitve uporabite, če mislite, da predel hladilnika ni dovolj hladen zaradi temperature okolja ali pogostega odpiranja vrat.

Uporaba izdelka

5.20. Podrobnosti globokega zamrzovanja

Po standardih IEC 62552 mora imeti zamrzovalnik zmogljivost, da zamrzne 4,5 kg hrane pri -18°C ali nižji temperaturi v 24 urah na vsakih 100 litrov volumna predela zamrzovalnika.

Živila lahko dlje časa hranite samo pri ali pod temperaturo -18°C.

Hrano lahko tako ohranite svežo več mesecev (v globoke zamrzovalniku pri ali pod temperaturo -18°C).

Hrana, ki jo nameravate zamrzniti, se ne sme dotikati že zamrznjene hrane, da ne pride do delnega odtajanja.

Zavrite zelenjavo in prefiltrirajte vodo, da podaljšate čas shranjevanja zamrznjenih živil. Živila najprej filtrirajte, nato pa jih dajte v nepredušne pakete in postavite v zamrzovalnik. Banan, paradižnika, zelene solate, zelene, kuhanih jajc, krompirja in podobnih živil se ne sme zamrzovati. V primeru, da ta hrana zgine, bo to negativno vpliva na prehranske vrednosti in kakovost. Gnitje, ki ogroža človeško življenje, ni vprašljivo.

5.21. Postavitev živil

Police zamrzovalnega dela	Različne vrste živil, vključno z mesom, ribami, sladoledom, zelenjavo itd.
Police predel hladilnika	Živila v loncih, zaprtih krožnikih in zaprtih ovojih, jajca (v zaprtem ovoju)
Police na vratih hladilnega dela	Manjša in pakirana živila ali pijače
Posoda za zelenjavo	Sadje in zelenjava
Predel za sveža živila	Delikatese (hrana za zajtrk, mesni izdelki, ki jih boste porabili v kratkem času)

5.22. Opozorilo za odprta vrata (izbirno)

Če vrata naprave ostanejo odprta vsaj 1 minute, boste zaslišali zvočni alarm. Zvočni alarm ugasne, ko zaprete vrata ali pritisnete katerokoli tipko na prikazovalniku (če je na voljo).

Opozorilo za odprta vrata uporabnik sliši in vidi. Notranja razsvetljava ugasne, če se opozorilo nadaljuje 10 minut.

5.23. Spreminjanje smeri odpiranja vrat

Smer odpiranja vrat vašega hladilnika lahko spremenite glede na lokacijo, kjer ga uporabljate. Ko to rabite, se obrnite na najbližji pooblaščen servis.

Razlaga zgoraj je samo splošna izjava.

Preverite opozorilno oznako, ki se nahaja znotraj embalaže izdelka, glede spreminjanja smeri odpiranja vrat.

5.24. Notranja luč

Notranja luč uporablja luč tipa LED. Za težave s to lučjo se obrnite na pooblaščen servis.

Luč(i), ki je(so) uporabljena(-e) v tej napravi, ni mogoče uporabiti za hišno razsvetljavo. Namenska uporaba te luči je, da uporabnik varno in udobno postavi hrano v hladilnik/zamrzovalnik.

Uporaba izdelka

5.25. Modra svetloba/HarvestFresh

*Morda ni na voljo pri vseh modelih

Modra svetloba:

V sadju in zelenjavi, shranjeni v predalih Crisper in osvetljeni z modro svetlobo, se zaradi učinka valovne dolžine modre svetlobe nadaljuje proces fotosinteze, zato se ohrani vsebnost vitaminov.

HarvestFresh:

V sadju in zelenjavi, shranjeni v predalih Crisper in osvetljeni s tehnologijo HarvestFresh, se vitamini ohranijo dlje časa zaradi modre, zelene in rdeče svetlobe ter temnih ciklov, ki posnemajo dnevni cikel.

Če odprete vrata hladilnika v temnem ciklu tehnologije HarvestFresh, hladilnik to samodejno zazna in za lažjo uporabo osvetli predal Crisper z modro-zeleno ali rdečo svetlobo. Ko zaprete vrata hladilnika, se nadaljuje temni cikel, ki predstavlja nočni čas dnevnega cikla.

5.26. Košara za mlečne izdelke (hladen prostor)

Zagotavlja nižjo temperaturo kot v hladilniku.

V tej košari shranjujte delikatese (salame, klobase, mlečni izdelki itd.), ki zahtevajo nižjo temperaturo skladiščenja ali mesne, piščančje ali ribje izdelke za takojšnjo uporabo. V tej košari ne shranjujte sadja in zelenjave.

Ob rednem čiščenju naprave se njena življenjska doba podaljša.



OPOZORILO: Pred začetkom čiščenja hladilnika, ga izključite iz napajanja.

- Za čiščenje ne uporabljajte ostrih abrazivnih predmetov, mila, gospodinjskih čistil, čistilnih sredstev in loščila.
- Rastopite eno žličko karbonata v pol litra vode. V to raztopino pomočite krpo in jo temeljito ožemite. S to krpo obrišite notranjost naprave in temeljito posušite.
- Preprečite, da bi ohišje luči in ostali električni predmeti prišli v stik z vodo.
- Vrata očistite z vlažno krpo. Če želite odstraniti vrata in police, jih popolnoma spraznite. Police na vratih odstranite tako, da jih pomaknete navzgor. Po čiščenju ji namestite tako, da ji zdrsnete od zgoraj navzdol.
- Za čiščenje zunanjih površin in kromiranih delov izdelka ne uporabljajte čistilnih sredstev ali klorirane vode. Klor povzroči korozijo na kovinskih površinah.
- Ne uporabljajte ostrih, abrazivnih orodij, gospodinjskih čistil, čistilnih sredstev, kerozina, olja, loščila itd., da preprečite odstranjevanje in deformacijo odtisov na plastičnem delu. Za čiščenje uporabite mlačno vodo in mehko krpo ter do suhega obrišite.

6.1. Izogibanje neprijetnim vonjavam

V proizvodnji naših naprav ne uporabljamo materialov, ki povzročajo vonj. Vendar pa nepravilno shranjevanje živil in pomanjkljivo čiščenje notranjosti naprave lahko povzroči neprijetne vonjave.

Zato vsakih 15 dni čistite hladilnik s karbonatom, raztopljenim v vodi.

- Živila shranjujte v zaprtih posodah. Mikroorganizmi, ki prihajajo iz nepokritih posod, lahko povzročijo neprijetne vonjave.
- V hladilniku ne hranite pokvarjenih živil ali živil s pretečenim rokom.

6.2. Zaščita plastičnih površin

Nemudoma očistite s toplo vodo, saj lahko olje poškoduje plastično površino.

6.3. Steklo vrat

Odstranite zaščitno folijo s stekla.

Na površini stekla je premaz. Ta premaz zmanjša nabiranje madežev in pomaga pri lažjem odstranjevanju madežev in umazanije. Steklo, ki ni zaščiteno s takšnim premazom, je lahko predmet trajne vezave zraka ali organske ali anorganske umazanije, na osnovi vode, kot je vodni kamen, mineralne soli, nezgorelih ogljikovodikov, kovinskih oksidov in silikonov, ki lahko enostavno in hitro povzročijo madeže ali materialno škodo. Ohranjanje čistega stekla postane pretežko, kljub rednemu čiščenju. Posledično se poslabšata videz in prosojnost stekla. Grobe in korozivne metode in spojine čiščenja povečajo te napake in pospešijo proces poslabšanja.

Za redno čiščenje uporabite izdelke, na osnovi vode, ki niso alkalni in jedki.

Za čiščenje uporabite nealkalne in nekorozivne materiali in tako podaljšate življenjsko dobo tega premaza.

Steklo vrat je kaljeno za večjo odpornost proti udarcem in zlomu.

Zadnja površina stekla pa je prevlečena z zaščitnim filmom kot dodatni varnostni ukrep, ki preprečuje, da bi steklo ob zlomu povzročilo škodo okolici.

* Alkalij je baza, ki tvori hidroksilne ione (OH⁻), ko jo raztopimo v vodi.

Li (Litij), Na (Natrij), K (Kalij) Rb (Rubidij), Cs (Cezij) in umetne in radioaktivne Fr (Frensijski) kovine se imenujejo ALKALIJSKE KOVINE.

7 Odpravljanje motenj

Preverite ta seznam, preden se obrnete na servisno službo. S tem boste prihranili čas in denar. Ta seznam vključuje pogoste pritožbe, ki niso povezane z nestrokovno izdelavo ali materiali. Nekatere funkcije, ki so omenjene, morda ne veljajo za vašo napravo.

Hladilnik ne deluje.

- Napajalni kabel ni v celoti vključen v vtičnico. >>> Priključite ga v celoti, da se vsede v vtičnico.
- Pregorela je glavna varovalka ali pa varovalka priključena na vtičnico, ki napaja napravo. >>> Preverite varovalke.

Kondenzacija na stranski steni predela hladilnika (MULTI CONA, COOL, NADZOR in FLEXI CONA).

- Vrata se prepogosto odpirajo. >>> Pazite, da ne boste odpirali vrat naprave prepogosto.
- Okolje je preveč vlažno. >>> Ne nameščajte naprave v vlažnih okoljih.
- Živila, ki vsebujejo tekočine, so shranjena v nezaprtih posodah. >>> Naj bodo živila, ki vsebujejo tekočine, v zaprtih posodah.
- Vrata naprave so ostala odprta. >>> Vrata naprave ne imejte odprta predolgo časa.
- Termostat je nastavljen na prenizko temperaturo. >>> Nastavite termostat na primerno temperaturo.

Kompresor ne deluje.

- V primeru nenadnega izpada električne energije ali izvlečenega vtičnega ter nato ponovnega vklopa, tlak plina v hladilnem sistemu naprave ni uravnotežen, kar sproži termično zaščito kompresorja. Naprava se bo ponovno zagnala po približno 6 minutah. Če se naprava ne zažene ponovno po tem času, se obrnite na servis.
- Odtajanje je vključeno. >>> To je normalno za popolnoma samodejno odtajanje naprave. Odtajanje se izvaja v rednih časovnih presledkih.
- Naprava ni priključena. >>> Prepričajte se, da je napajalni kabel priključen.
- Nastavitev temperature je napačna. >>> Izberite nastavitve na primerno temperaturo.
- Napajanja ni. >>> Naprava bo še naprej normalno delovala, ko se bo vrnilo napajanje.

Obratovalni hrup hladilnika se povečuje, medtem ko je v uporabi.

Hladilnik/Uporabniški priročnik

- Delovna intenzivnost naprave se lahko razlikuje, odvisno od nihanja temperature okolice. To je normalno in ne gre za okvaro.

Hladilnik teče prepogosto ali predolgo.

- Nova naprava je lahko večja od prejšnje. Večje naprave bodo delovale več časa.
- Sobna temperatura je lahko visoka. >>> Naprava običajno deluje več časa pri visoki sobni temperaturi.
- Naprava je lahko bila pred kratkim priključena na električno omrežje ali pa se novo živilo nahaja v notranjosti. >>> Naprava bo zahtevala več časa, da doseže nastavljeno temperaturo, če je bila pred kratkim priključena na električno omrežje ali pa se nahaja v notranjosti novo živilo. To je normalno.
- Velike količine tople hrane so bili morda pred kratkim dane v napravo. >>> Ne postavljajte tople hrane v napravo.
- Vrata so se pogosto odprla ali bila odprta daljše obdobje. >>> Topel zrak, ki se giblje znotraj povzroči, da naprava več časa deluje. Ne odpirajte vrat prepogosto.
- Vrata zamrzovalne skrinje ali hladilnika so lahko samo priprta. >>> Preverite, če so vrata popolnoma zaprta.
- Naprava je nastavljena na prenizko temperaturo. >>> Nastavite temperaturo na višjo stopnjo in počakajte, da naprava doseže nastavljeno temperaturo.

- Podložka vrat hladilnika ali zamrzovalnika je morda umazana, obrabljena, počena ali ni pravilno vstavljena. >>> Očistite jih ali zamenjajte podložko. Poškodovana oz. raztrgana podložka vrat bo povzročila, da naprava deluje več časa, da ohrani trenutno temperaturo.

Temperatura zamrzovalnika je zelo nizka, vendar je temperatura hladilnika primerna.

- Termostat zamrzovalnika je nastavljen na zelo nizko temperaturo. >>> Nastavite temperaturo predela zamrzovalnika na višjo stopnjo in še enkrat preverite.

Temperatura hladilnika je zelo nizka, vendar je temperatura zamrzovalnika primerna.

- Termostat hladilnika je nastavljen na zelo nizko temperaturo. >>> Nastavite temperaturo predela hladilnika na višjo stopnjo in še enkrat preverite.

Živilski izdelki hranjeni v predalih hladilnika so zamrznjeni.

Oodpravljanje težav

- Termostat hladilnika je nastavljen na zelo nizko temperaturo. >>> Nastavite temperaturo predela zamrzovalnika na višjo stopnjo in še enkrat preverite.

Temperatura hladilnika ali zamrzovalnika je previsoka.

- Termostat hladilnika je nastavljen na zelo visoko stopnjo. >>> Nastavitev temperature v predelu hladilnika vpliva na temperaturo predela zamrzovalnika. Spremenite temperaturo hladilnika ali zamrzovalnika in počakajte, da ustrezni predeli dosežejo nastavljeno temperaturno raven.
- Vrata so se pogosto odpirala ali bila odprta daljše obdobje. >>> Ne odpirajte vrat prepogosto.
- Vrata so lahko samo priprta. >>> Popolnoma zaprite vrata.
- Naprava je lahko bila pred kratkim priključena na električno omrežje ali pa se novo živilo nahaja v notranjosti. >>> To je normalno. Naprava bo zahtevala več časa, da doseže nastavljeno temperaturo, če je bila pred kratkim priključena na električno omrežje ali pa se nahaja v notranjosti novo živilo.
- Velike količine tople hrane so bili morda pred kratkim dane v napravo. >>> Ne postavljajte tople hrane v napravo.

Tresenje ali hrup.

- Tla niso ravna ali gladka. >>> Če se naprava trese, ko jo počasi premikate, prilagodite nogice za uravnoteženje naprave. Prav tako poskrbite, da so tla dovolj trdna, da nosijo napravo.
- Vsi predmeti, ki so dani na napravo lahko povzročijo hrup. >>> Odstranite vse predmete, ki so postavljeni na napravo.

Naprava proizvaja hrup pretoka tekočine, pršenja ipd.

- Principi delovanja naprave vključujejo tokove tekočin in plinov. >>> To je normalno in ne gre za okvaro.

Sliši se zvok podoben vetriču, ki prihaja iz naprave.

- Naprava uporablja ventilator za postopek hlajenja. To je normalno in ne gre za okvaro.

Nabira se kondenzacija na notranjih stenah naprave.

- Vroče ali vlažno vreme bo povečalo nabiranje ledu in kondenzacije. To je normalno in ne gre za okvaro.
- Vrata so se pogosto odprla ali bila odprta daljše obdobje. >>> Ne odpirajte vrat prepogosto; če so odprta, zaprite vrata.
- Vrata so lahko samo priprta. >>> Popolnoma zaprite vrata.

Nabira se kondenzacija na zunanjih stenah naprave ali med vrati.

- Prostor je lahko vlažen, kar je povsem normalno v vlažnem vremenu. >>> Kondenzacija se bo umaknila, ko se vlažnost zmanjša.

Notranjost ima neprijetne vonjave.

- Naprava se ne čisti redno. >>> Redno čistite notranjost z uporabo gobice, tople vode in vode s sodo.
- Nekatere posodice in embalažni materiali lahko povzročijo neprijeten vonj. >>> Uporabite posodice in embalažne materiale brez neprijetnega vonja.
- Živila so se hranila v nezaprth posodah. >>> Hranite živila v zaprtih posodah. Mikroorganizmi se lahko širijo iz nezaprte hrane in povzročijo vonjave.
- Odstranite vsa pretekle ali pokvarjena živila iz naprave.

Vrata se ne zapirajo.

- Embalaža živil lahko ovira vrata. >>> Premaknite vse predmete, ki ovirajo vrata.
- Naprava ne stoji v popolnem pokončnem položaju glede na tla. >>> Prilagodite nogice za uravnoteženje naprave.
- Tla niso ravna ali gladka. >>> Poskrbite, da so tla v ravnini in dovolj trdna, da nosijo napravo.

Posoda za zelenjavo se je zataknila.

- Živilski izdelki so lahko v stiku z zgornjim delom predala. >>> Premestite kose hrane v predalu.



OPOZORILO: Če težave ne odpravite po sledenju navodilom v tem poglavju, se obrnite na prodajalca ali pooblaščen servis. Ne poskušajte sami popraviti naprave.

ZAVRNITEV ODGOVORNOSTI / OPOZORILO

Nekatere (enostavne) napake lahko končni uporabnik ustrezno popravi, ne da bi prišlo do kakršnih koli varnostnih težav ali nevarne uporabe, pod pogojem, da so izvedene v mejah in v skladu z naslednjimi navodili (glejte poglavje "Samopopravila").

Če ni drugače dovoljeno v spodnjem poglavju "Samopopravila", bodo vsa popravila naslovljena na registriranega pooblaščenega serviserja, da se izognemo varnostnim težavam. Registrirani pooblaščen serviser je poklicni serviser, ki mu je proizvajalec odobril dostop do navodil in seznama nadomestnih delov tega izdelka v skladu z metodami, opisanimi v zakonodajnih aktih v skladu z Direktivo 2009/125/ES.

Vendar lahko samo servisni agent (tj. pooblaščen poklicni serviserji), do katerega lahko pridete prek telefonske številke, navedene v uporabniškem priročniku/garancijskem listu ali prek pooblaščenega prodajalca, opravlja storitve v skladu z garancijskimi pogoji. Zato vas prosimo, da upoštevate, da za popravila, ki jih izvajajo poklicni serviserji (ki niso pooblaščen s strani Beko) ne bo veljala garancija.

Samopopravila

Končni uporabnik lahko sam izvede popravilo v zvezi z naslednjimi rezervnimi deli: vratni ročaji, vratni tečaji, pladnji, košare in vratna tesnila (posodobljen seznam je na voljo tudi na spletnem mestu support.beko.com od 1. marca 2021).

Poleg tega je treba za zagotovitev varnosti izdelka in za preprečitev nevarnosti resnih poškodb omenjeno samopopravilo opraviti po navodilih v uporabniškem priročniku za samopopravilo ali v navodilih, ki so na voljo na support.beko.com Zaradi lastne varnosti izdelek izključite iz električnega omrežja, preden se lotite kakršnega koli samopopravljanja.

Popravila in poskusi popraviljanja končnih uporabnikov za dele, ki niso vključeni na tak seznam in/ali ne upoštevajo navodil v uporabniških priročnikih za samopopravilo ali so na voljo na support.beko.com, lahko sprožijo vprašanja varnosti, ki jih ni mogoče pripisati Beko, in garancija za ta izdelek ne velja.

Zato je zelo priporočljivo, da se končni uporabniki vzdržijo poskusov popravil, ki ne spadajo v omenjeni seznam rezervnih delov, in se v takšnih primerih obrnejo na pooblaščen poklicni serviserje ali registrirani poklicni serviser. Nasprotno, takšni poskusi končnih uporabnikov lahko povzročijo varnostne težave in poškodujejo izdelek ter posledično povzročijo požar, poplavo, električni udar in resne telesne poškodbe.

Primeri popravil, za katere se je treba obrniti na pooblaščen ali registrirane poklicne serviserje, so med drugim naslednji: kompresor, hladilni krogotok, matična plošča, inverterska plošča, plošča zaslona itd.

Proizvajalec/prodajalec ni odgovoren v primeru, ko končni uporabniki ne upoštevajo zgoraj navedenega.

Razpoložljivost rezervnih delov hladilnik, ki ste ga kupili, je 10 let.

V tem obdobju bodo na voljo originalni nadomestni deli za pravilno delovanje hladilnik. Hladilnik, ki ste ga kupili, ima najmanj 24-mesečno garancijo.

Ta izdelek je opremljen z svetlobnim virom energijskega razreda "G".

Svetlobni vir v tem izdelku lahko zamenjajo samo poklicni serviserji.